



US00D903060S

(12) **United States Design Patent**  
**Zhang**

(10) **Patent No.:** **US D903,060 S**

(45) **Date of Patent:** **\*\* Nov. 24, 2020**

(54) **SPOUT**

(71) Applicant: **Xinrui Zhang**, Kaiping (CN)

(72) Inventor: **Xinrui Zhang**, Kaiping (CN)

(\*\*) Term: **15 Years**

(21) Appl. No.: **29/748,300**

(22) Filed: **Aug. 28, 2020**

(51) **LOC (12) Cl.** ..... **23-01**

(52) **U.S. Cl.**  
USPC ..... **D23/257**

(58) **Field of Classification Search**  
USPC ..... D23/238-241, 255, 257  
CPC ..... Y10T 137/9464; Y10T 137/6014; Y10T  
137/6017

See application file for complete search history.

(56) **References Cited**

**U.S. PATENT DOCUMENTS**

D496,717 S	9/2004	Svendsen et al.	
D508,977 S	8/2005	Otero	
D508,978 S *	8/2005	Otero	D23/255
D516,186 S	2/2006	Gilbert	
D551,326 S *	9/2007	Zhu	D23/255

D590,051 S	4/2009	Huang	
D619,223 S *	7/2010	Sofield	D23/255
D754,826 S	4/2016	Garland	

\* cited by examiner

*Primary Examiner* — Robert A Delehanty  
(74) *Attorney, Agent, or Firm* — KA Filing LLC; Cynthia W. Flanigan

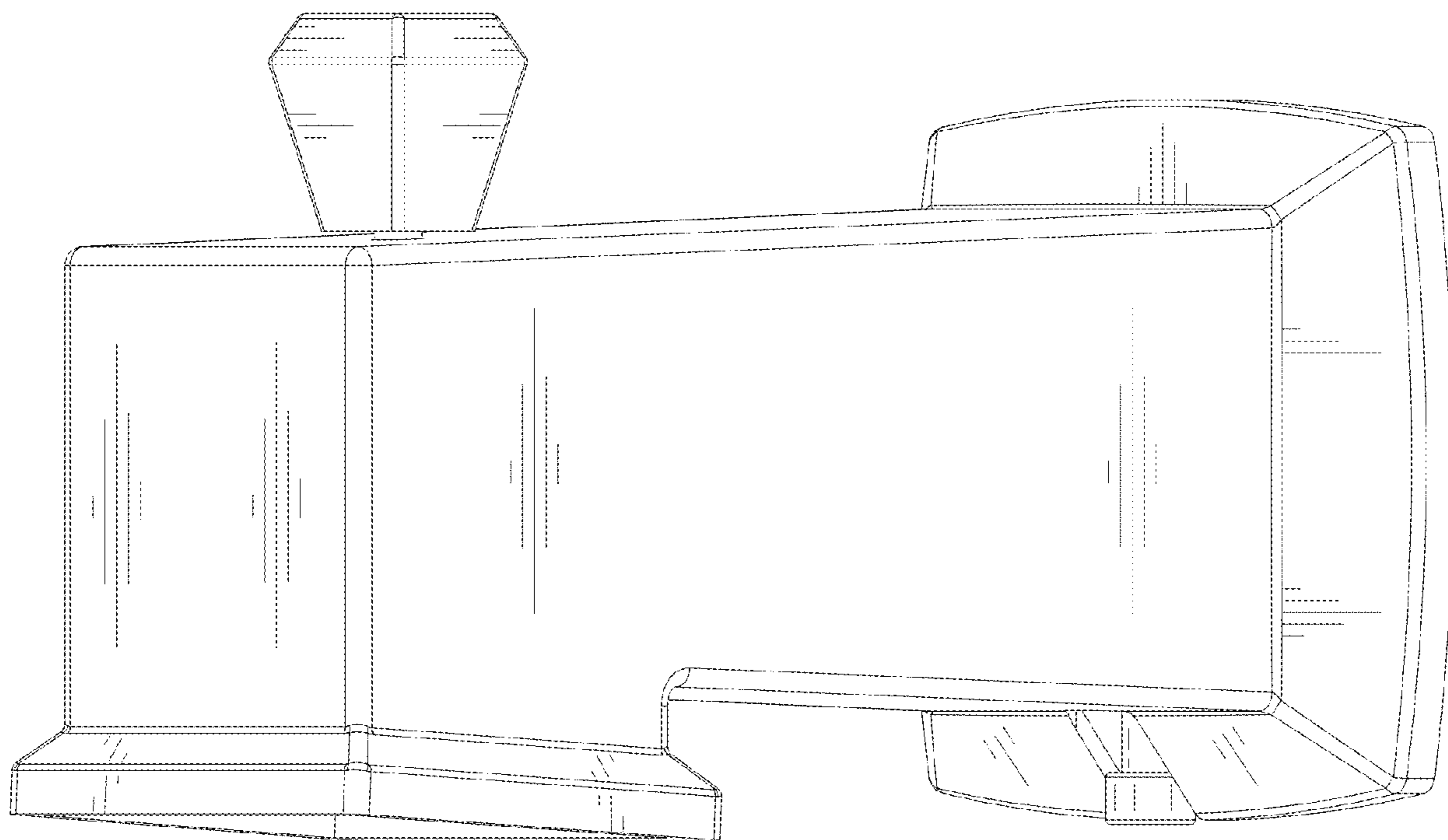
(57) **CLAIM**

I claim the ornamental design for a spout, as shown and described.

**DESCRIPTION**

FIG. 1 is a Perspective view of a spout showing my new design;  
FIG. 2 is other perspective view thereof;  
FIG. 3 is a Front view thereof;  
FIG. 4 is a Back view thereof;  
FIG. 5 is a Right-side view thereof;  
FIG. 6 is a Left-side view thereof;  
FIG. 7 is a Top view thereof; and,  
FIG. 8 is a Bottom view thereof.  
The broken lines are for the purpose of illustrating portions of the article that form no part of the claim.

**1 Claim, 8 Drawing Sheets**



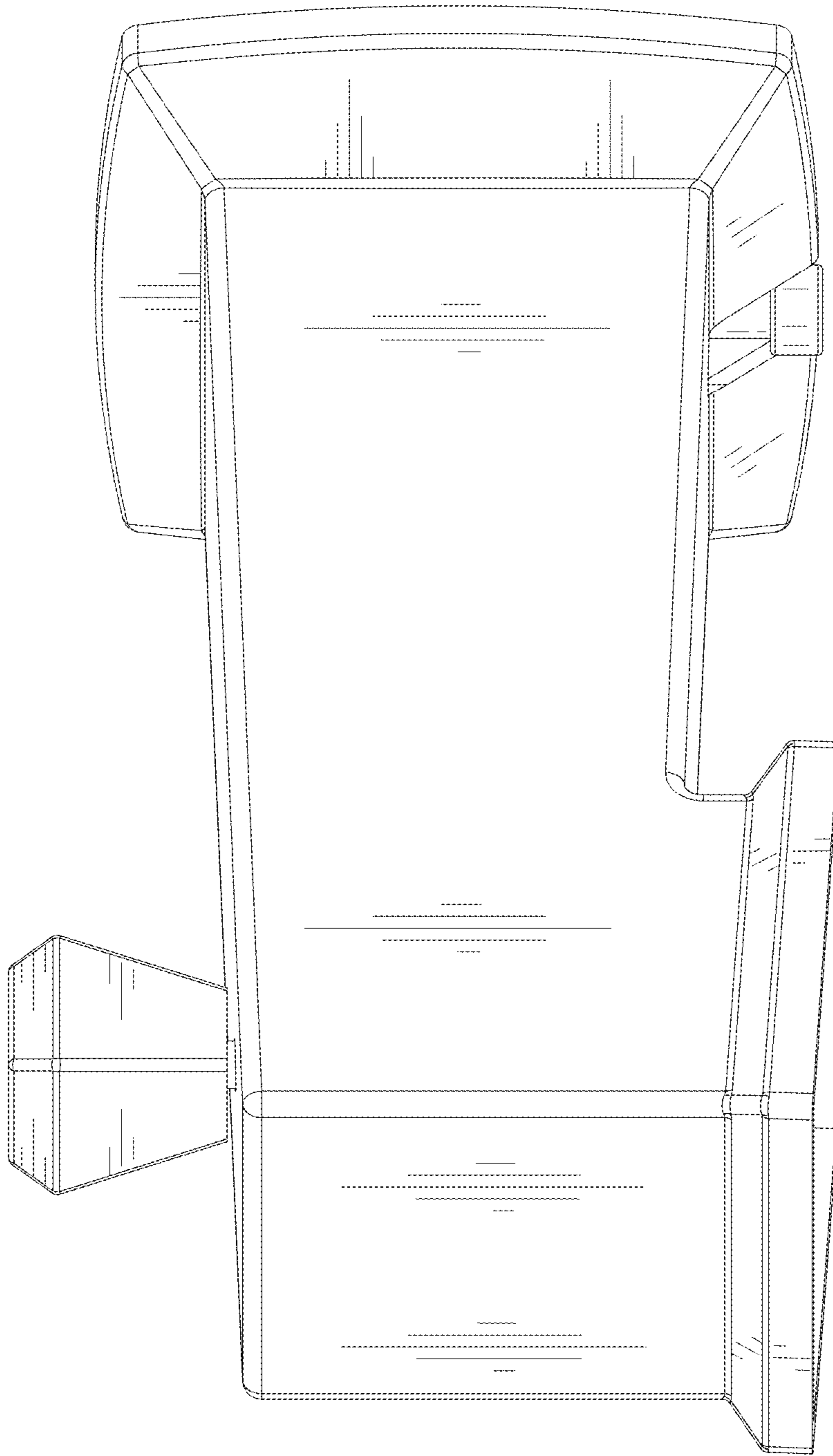


FIG. 1

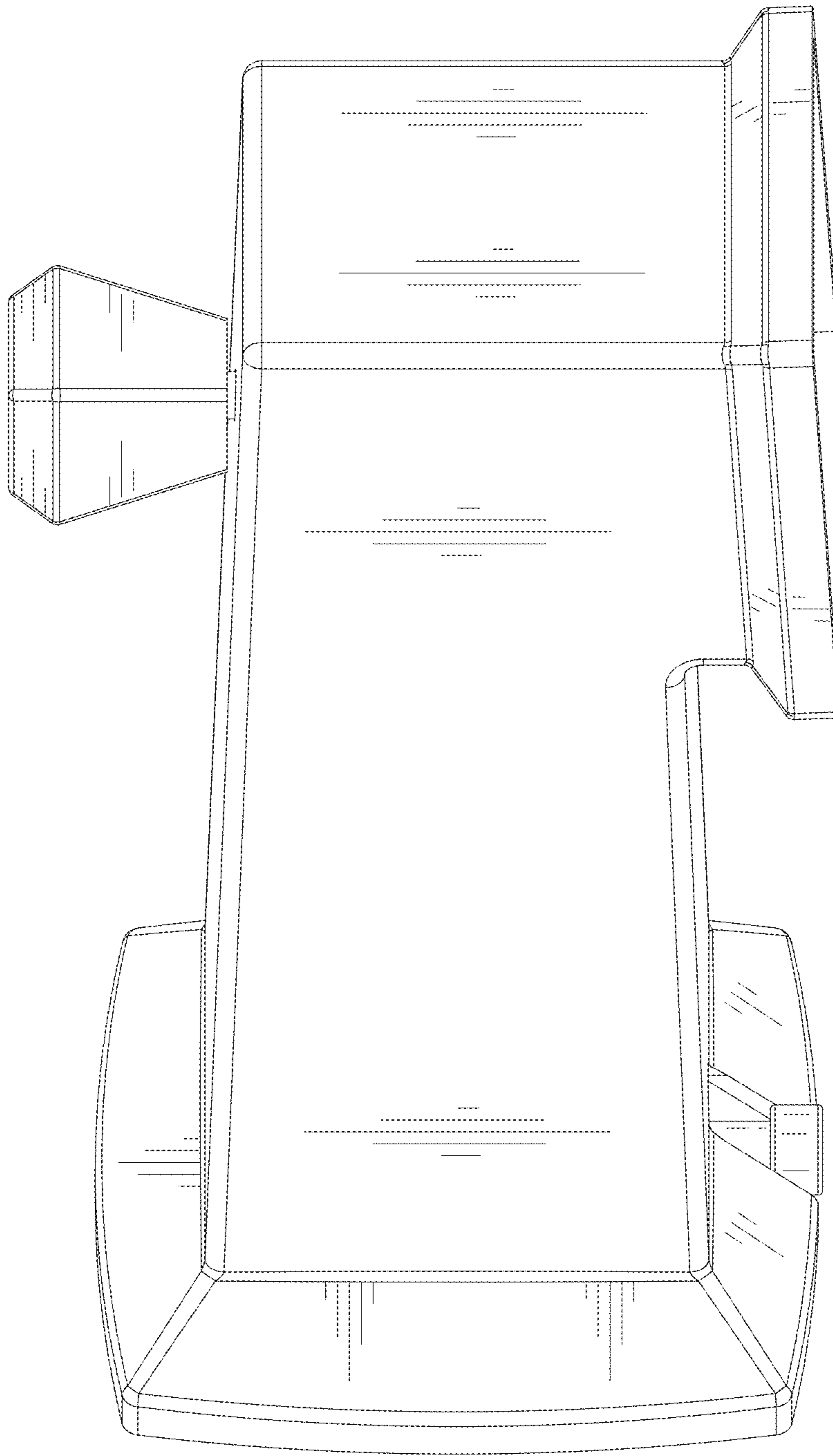


FIG. 2

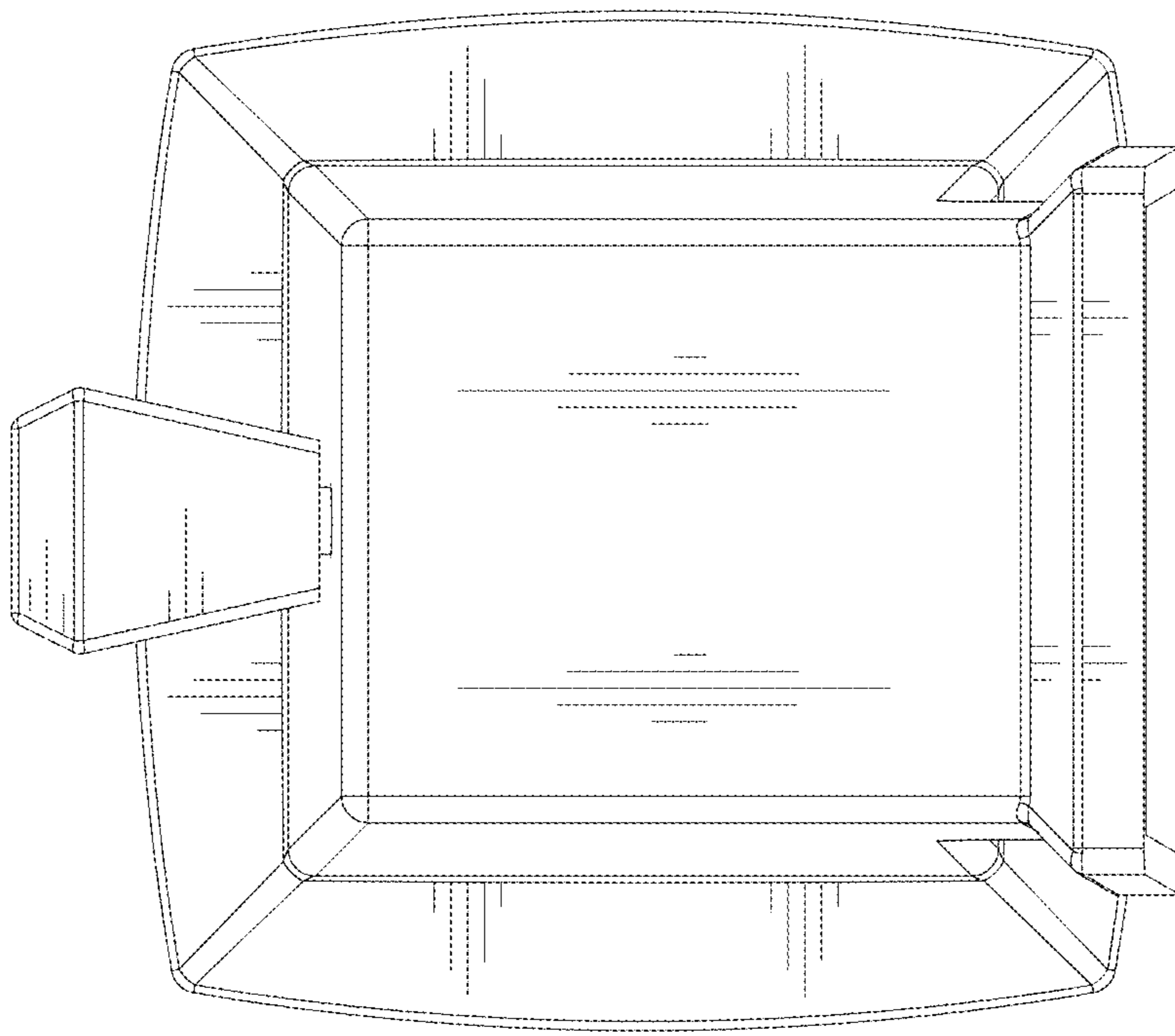


FIG. 3

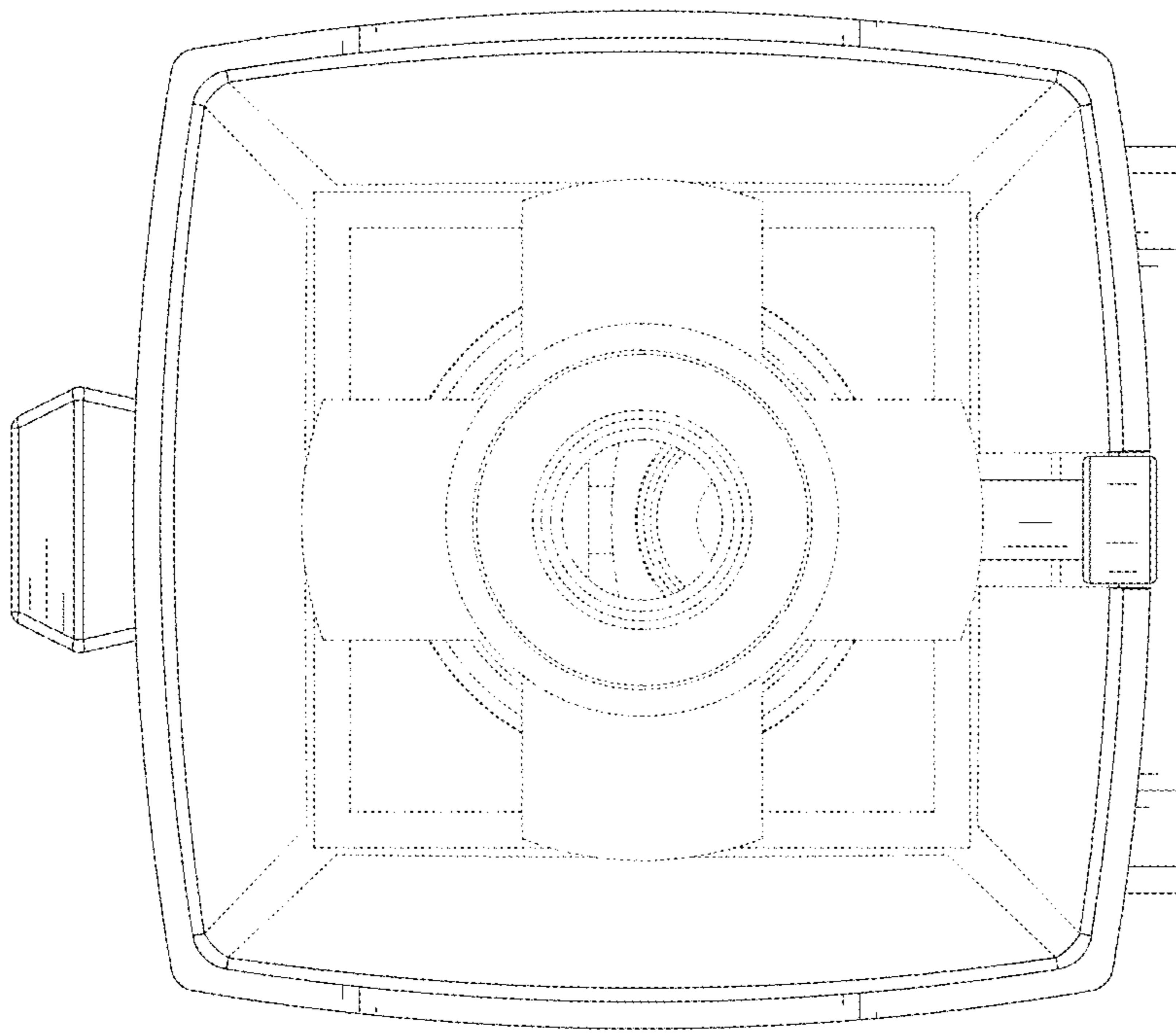


FIG. 4

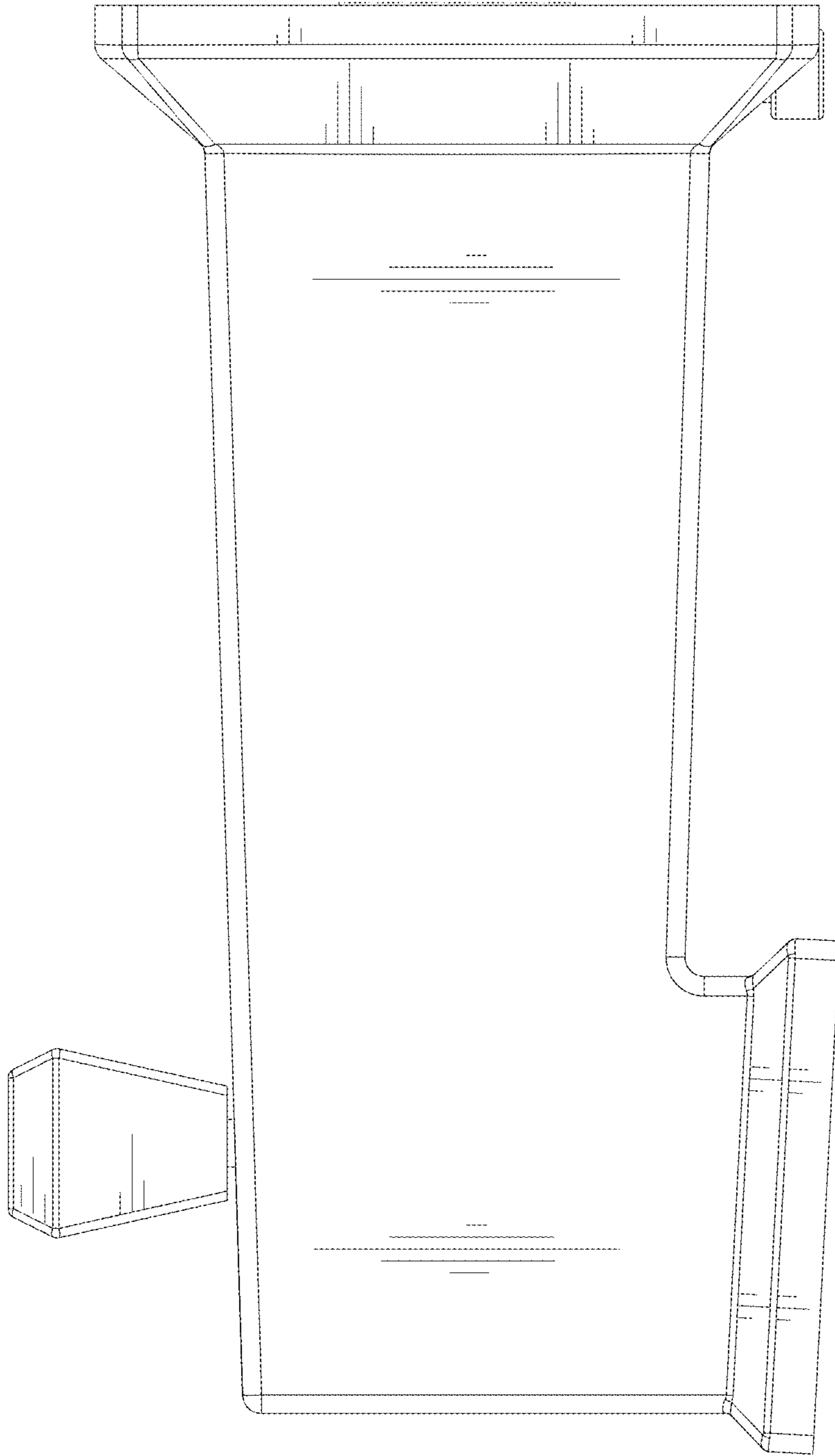


FIG. 5

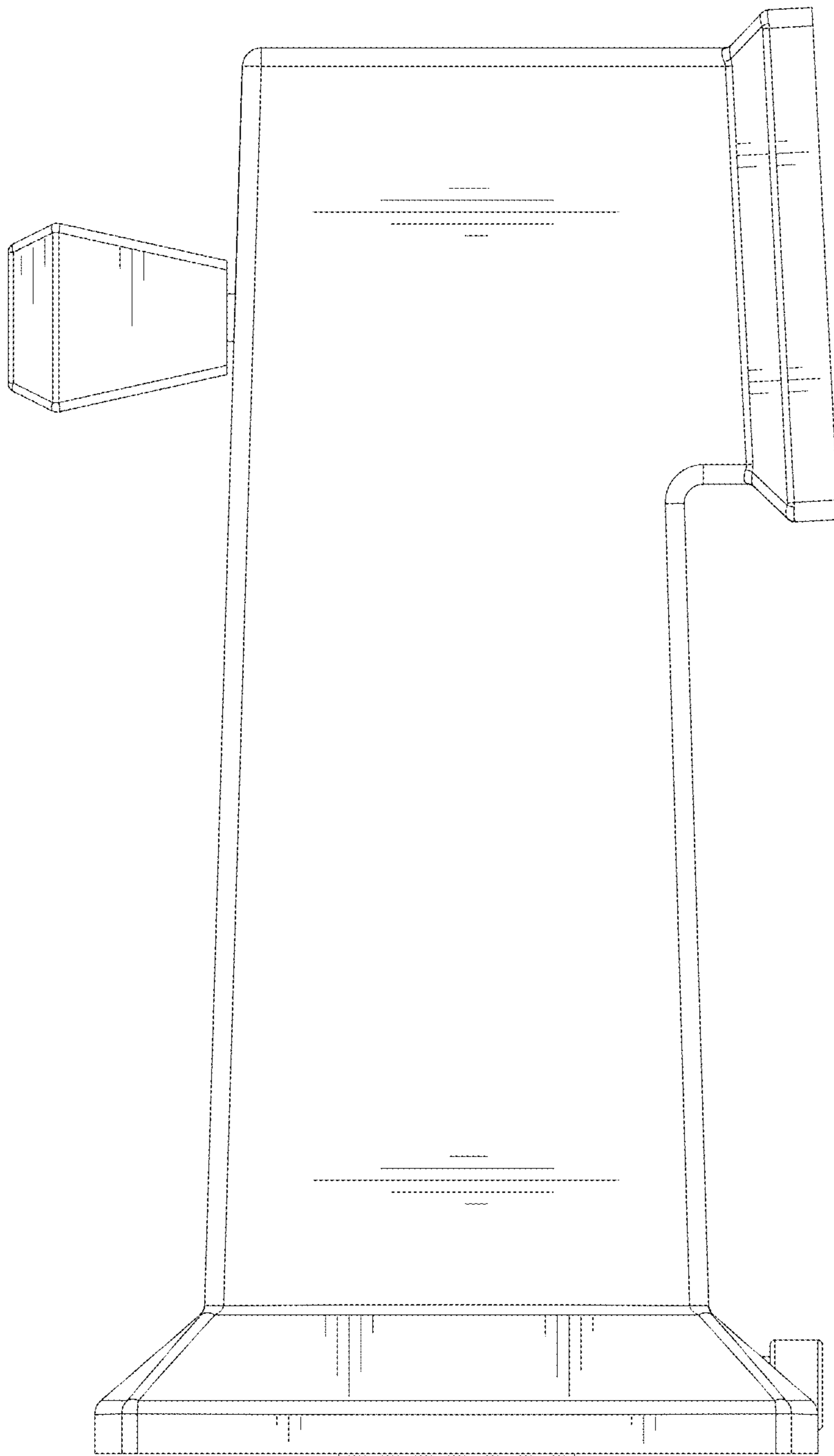


FIG. 6



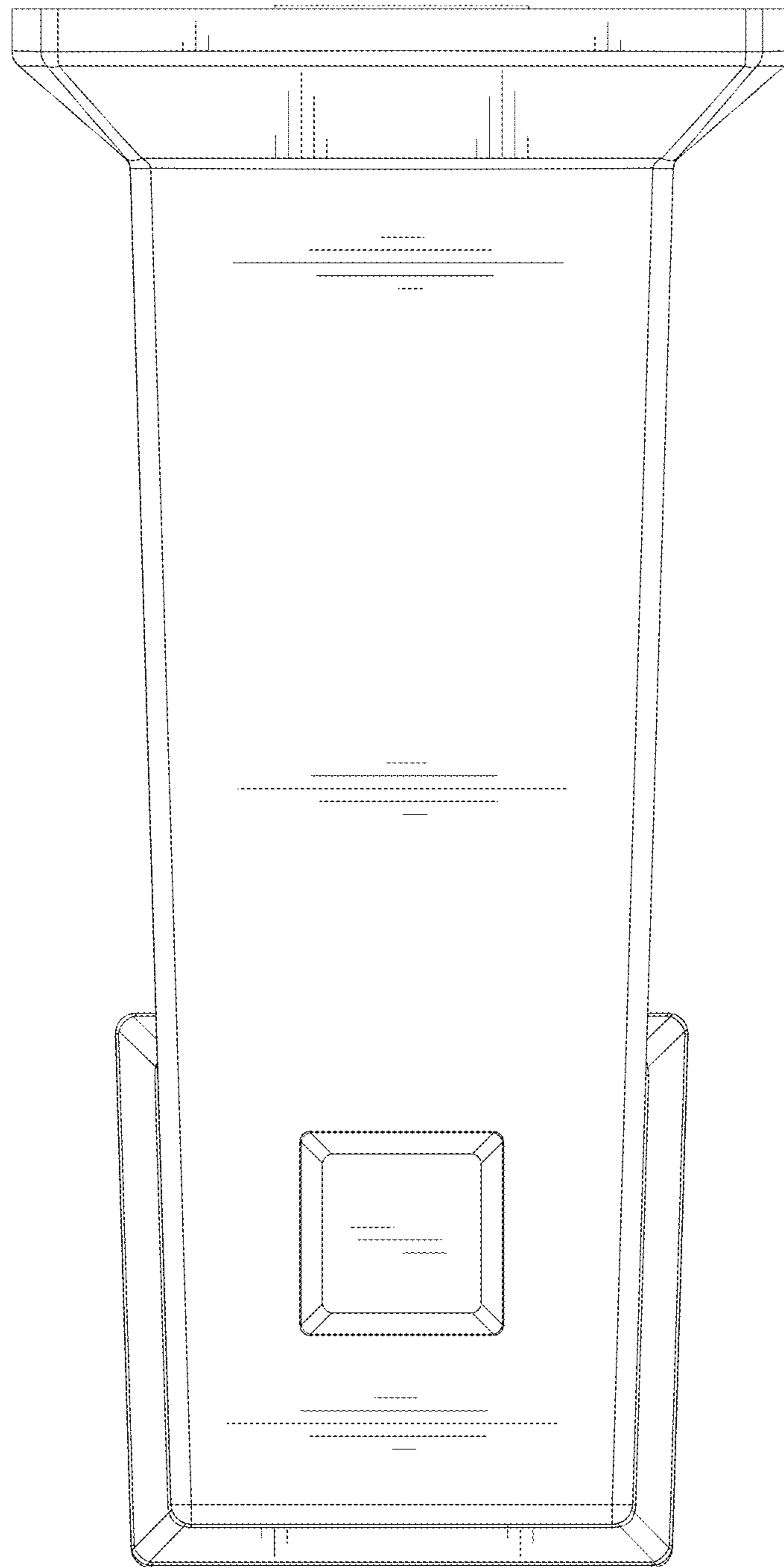


FIG. 7



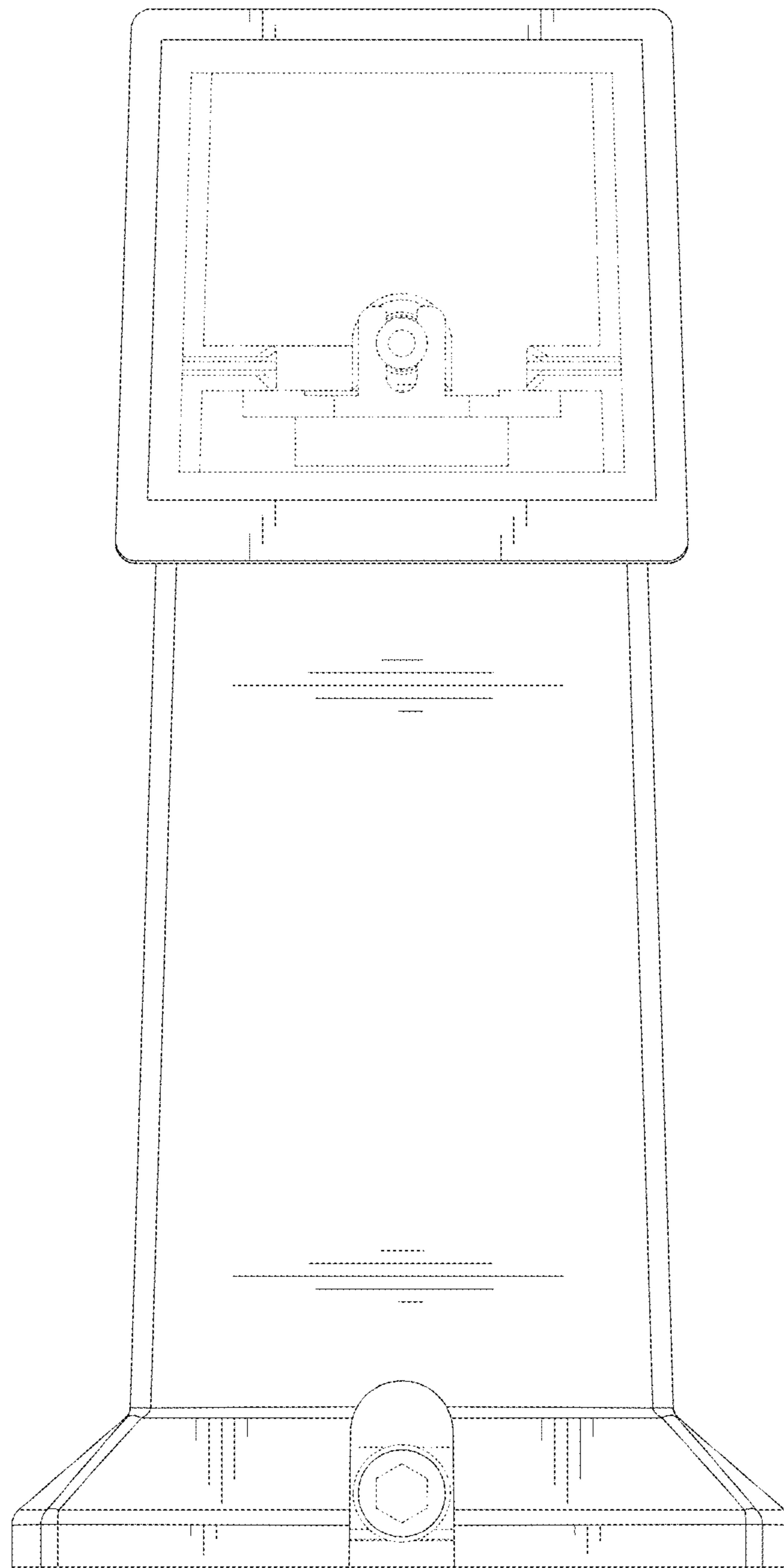


FIG. 8