



US00D903058S

(12) **United States Design Patent** (10) **Patent No.:** **US D903,058 S**  
**Rexach et al.** (45) **Date of Patent:** **\*\* Nov. 24, 2020**

(54) **TUB FILLER**

D557,120 S \* 12/2007 Snell ..... D8/372  
D574,224 S \* 8/2008 Zhang ..... D8/372  
D585,113 S \* 1/2009 Friedrich ..... D23/241  
D657,022 S 4/2012 Huang

(71) Applicant: **Kohler Co.**, Kohler, WI (US)

(72) Inventors: **Rafael A. Rexach**, Sheboygan, WI (US); **Tory L. Hayner**, Howards Grove, WI (US); **Drew Johnson**, Sheboygan, WI (US)

(Continued)  
*Primary Examiner* — Robert A Delehanty  
(74) *Attorney, Agent, or Firm* — Foley & Lardner LLP

(73) Assignee: **KOHLER CO.**, Kohler, WI (US)

(57) **CLAIM**

(\*\*) Term: **15 Years**

We claim the ornamental design for a tub filler, as shown and described.

(21) Appl. No.: **29/665,987**

**DESCRIPTION**

(22) Filed: **Oct. 9, 2018**

**Related U.S. Application Data**

(62) Division of application No. 29/577,328, filed on Sep. 12, 2016, now Pat. No. Des. 834,147.

FIG. 1 is a top, front, left perspective view of an embodiment of the claimed design;  
FIG. 2 is a front elevation view thereof;  
FIG. 3 is a rear elevation view thereof;  
FIG. 4 is a right side elevation view thereof;  
FIG. 5 is a left side elevation view thereof;  
FIG. 6 is a top plan view thereof;  
FIG. 7 is a bottom plan view thereof;  
FIG. 8 is a top, front, left perspective view of the embodiment of FIG. 1, showing one possible exemplary embodiment of a hand shower in dashed lines;  
FIG. 9 is a front elevation view thereof;  
FIG. 10 is a rear elevation view thereof;  
FIG. 11 is a right side elevation view thereof;  
FIG. 12 is a left side elevation view thereof;  
FIG. 13 is a top plan view thereof; and,  
FIG. 14 is a bottom plan view thereof.

(51) **LOC (12) Cl.** ..... **23-01**

(52) **U.S. Cl.**  
USPC ..... **D23/257**

(58) **Field of Classification Search**  
USPC ..... D23/238–243, 249, 223; D8/363–364, D8/373; D14/253, 240, 251  
CPC ..... Y10T 137/9464  
See application file for complete search history.

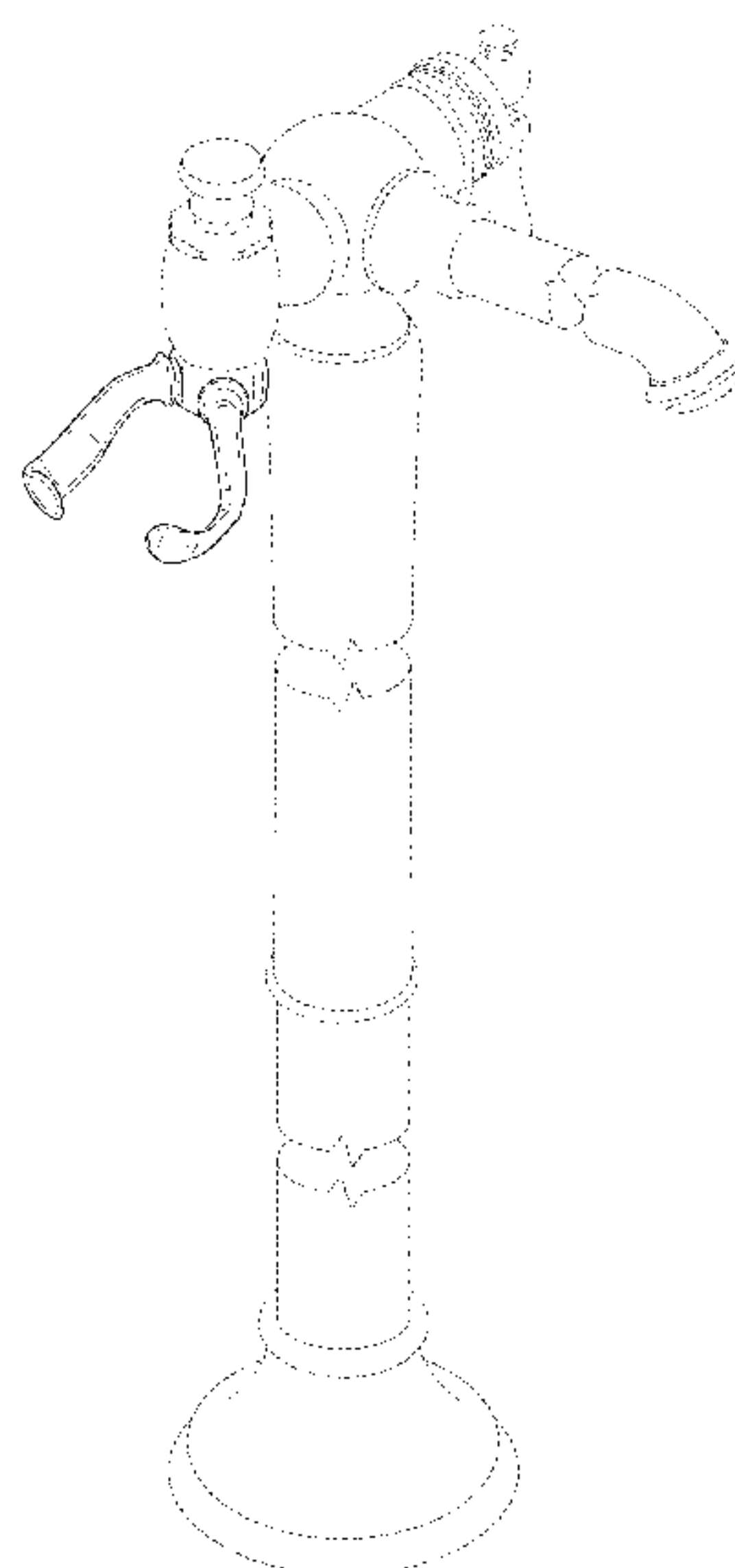
The ornamental design which is claimed is shown in solid lines in the drawings: The broken lines in the drawings are for illustrative purposes only and form no part of the claimed design. Broken lines formed by equal length dashes show unclaimed subject matter. Broken away symbols having a jagged element show that no particular length of the portion is claimed. The appearance of any portion of the article between the broken away symbols forms no part of the claimed design.

(56) **References Cited**

**U.S. PATENT DOCUMENTS**

722,348 A \* 3/1903 Young ..... B60R 11/0241  
D14/253  
1,140,980 A \* 5/1915 Haynes ..... F16F 1/128  
D14/240  
D57,193 S \* 3/1921 Mueller ..... D23/239  
D255,626 S \* 7/1980 Grube ..... D23/223  
D299,423 S \* 1/1989 Davis ..... D8/373  
D333,339 S \* 2/1993 Klose ..... D23/223  
D479,584 S \* 9/2003 Shieh  
D487,585 S \* 3/2004 Shieh ..... D23/239

**1 Claim, 12 Drawing Sheets**



(56)

**References Cited**

U.S. PATENT DOCUMENTS

D717,915 S	*	11/2014	Fritz .....	D23/239
D717,924 S		11/2014	Rexach et al.	
D717,925 S		11/2014	Rexach et al.	
D717,928 S		11/2014	Rexach et al.	
D718,420 S		11/2014	Rexach et al.	
D718,425 S		11/2014	Rexach et al.	
D718,426 S		11/2014	Rexach et al.	
D718,838 S		12/2014	Sedwick	
D737,929 S		9/2015	Rexach et al.	
D737,930 S		9/2015	Rexach et al.	
D750,205 S		2/2016	Rexach	
D751,180 S		3/2016	Rexach	
D757,904 S		5/2016	Rexach	
D757,905 S		5/2016	Rexach	
D758,546 S		6/2016	Rexach	
D803,986 S		11/2017	Schoenherr	
D854,654 S	*	7/2019	Peterson .....	D23/225
D857,171 S	*	8/2019	Bahler .....	D23/239

\* cited by examiner

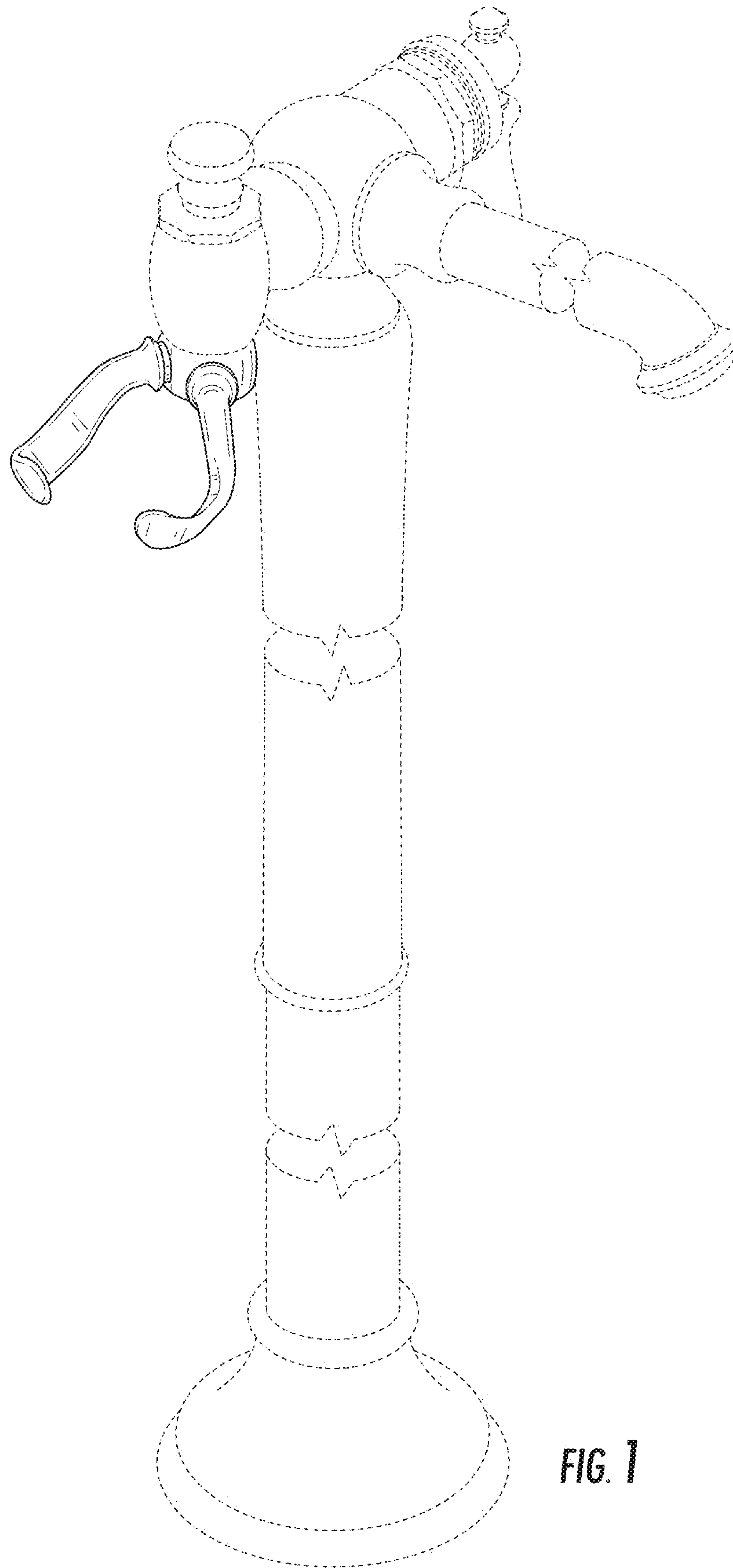


FIG. 1

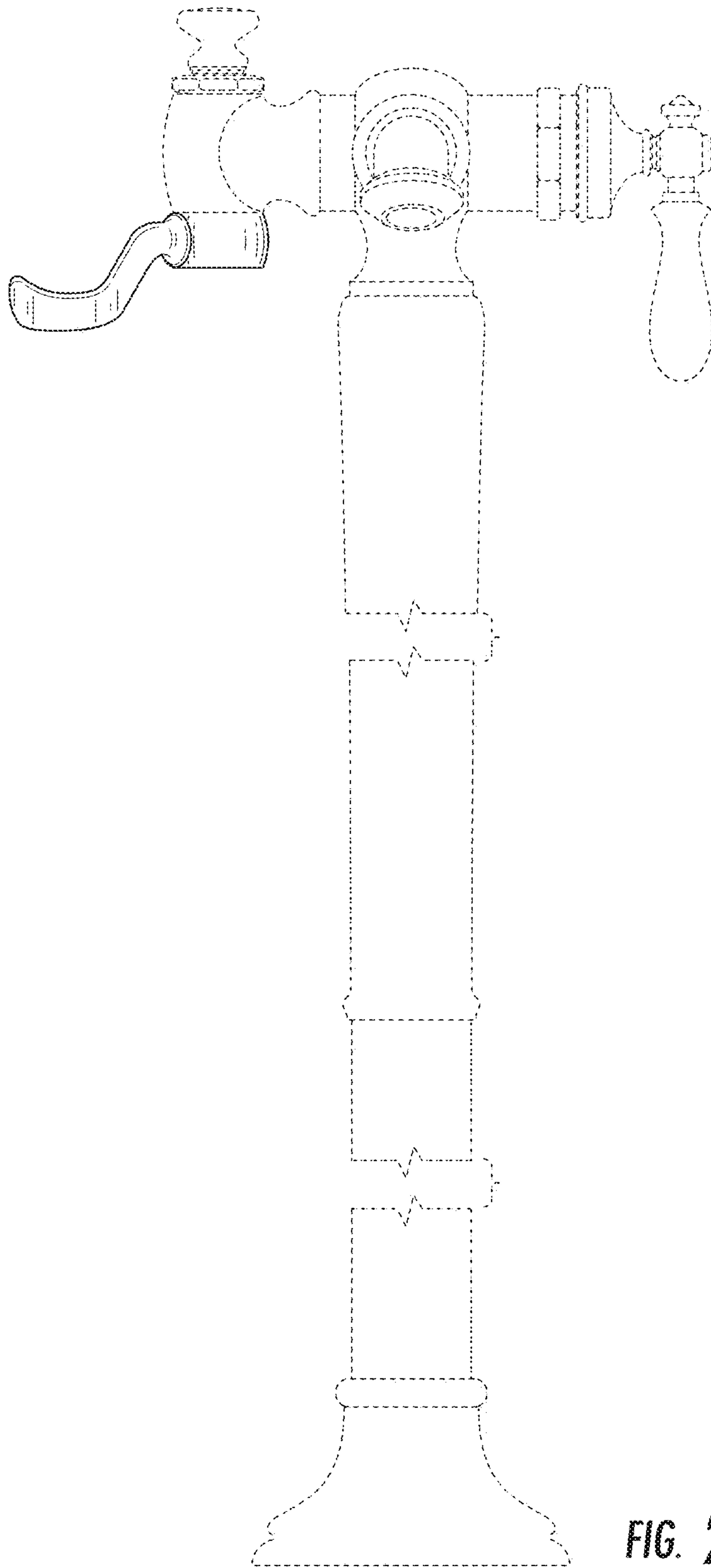


FIG. 2

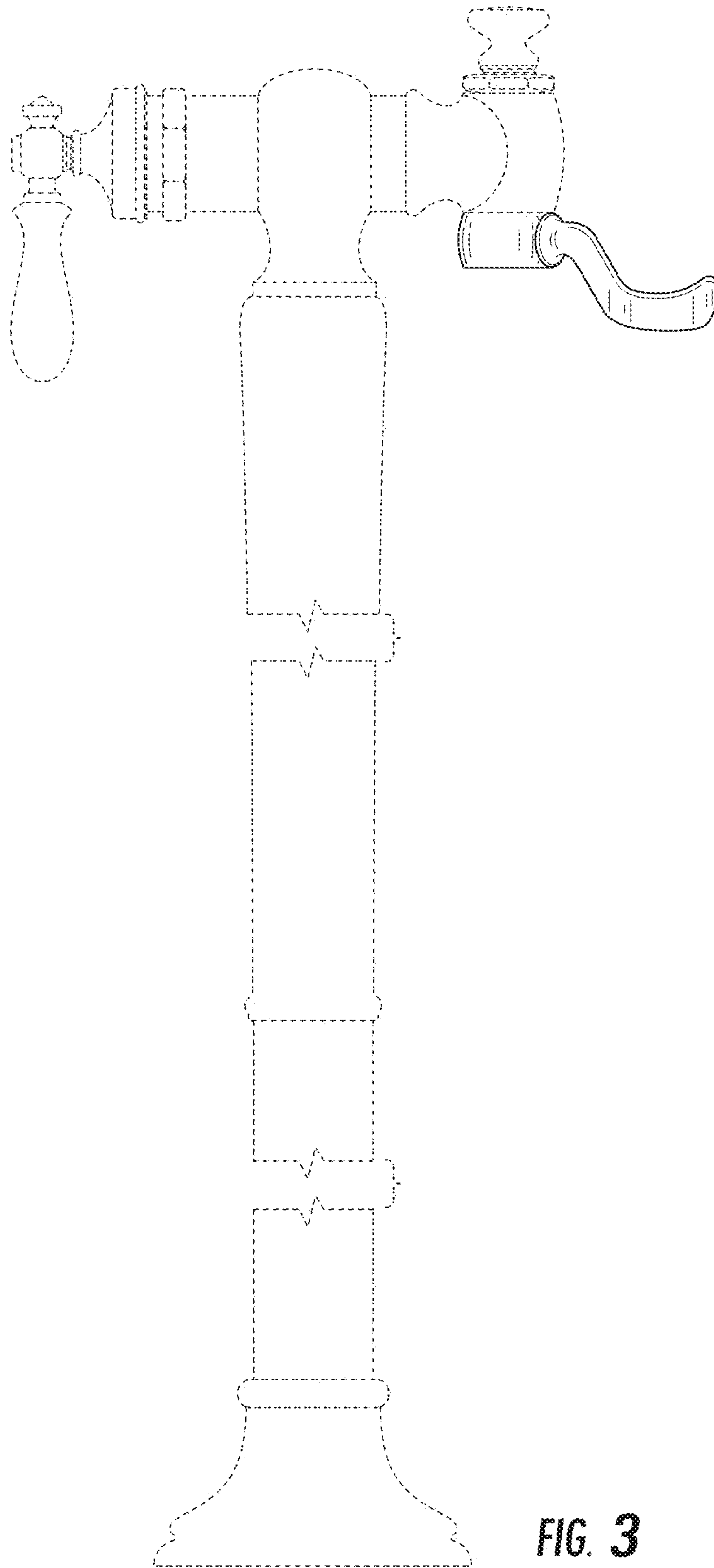


FIG. 3

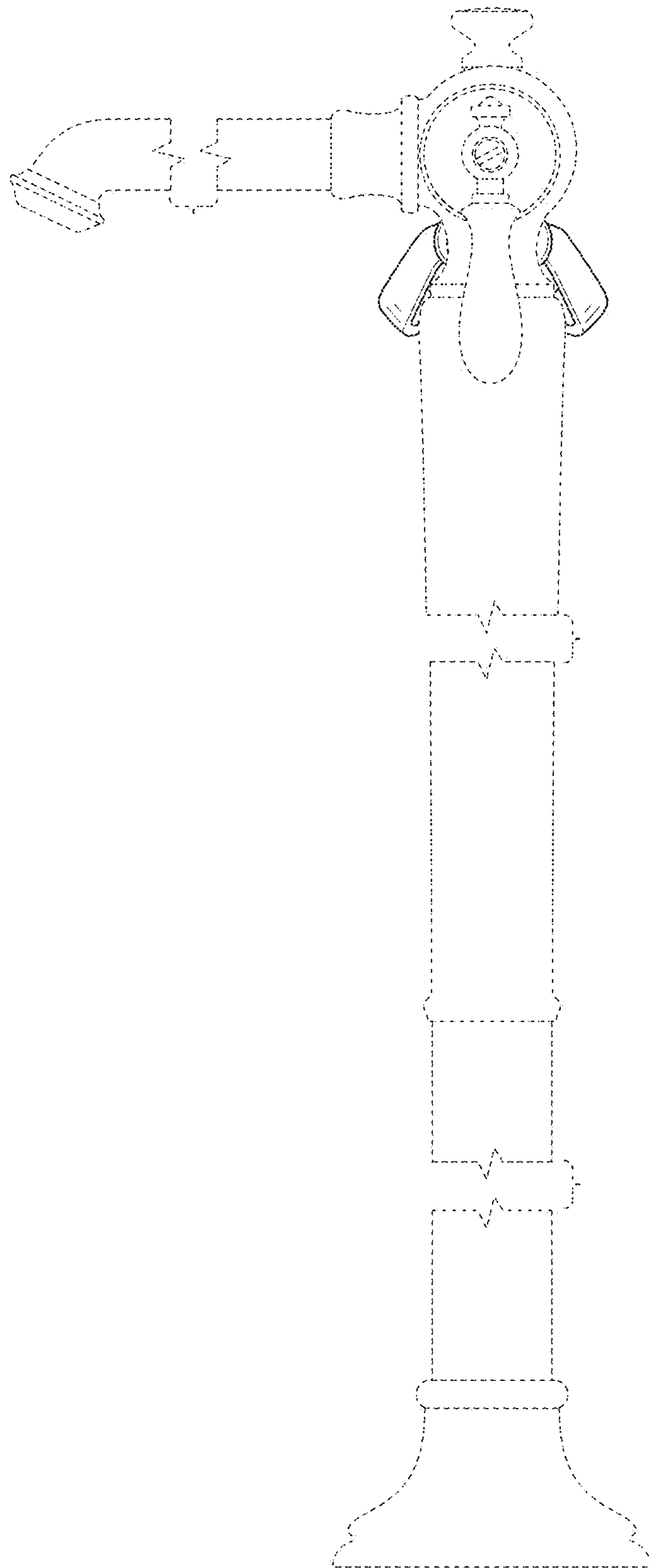


FIG. 4

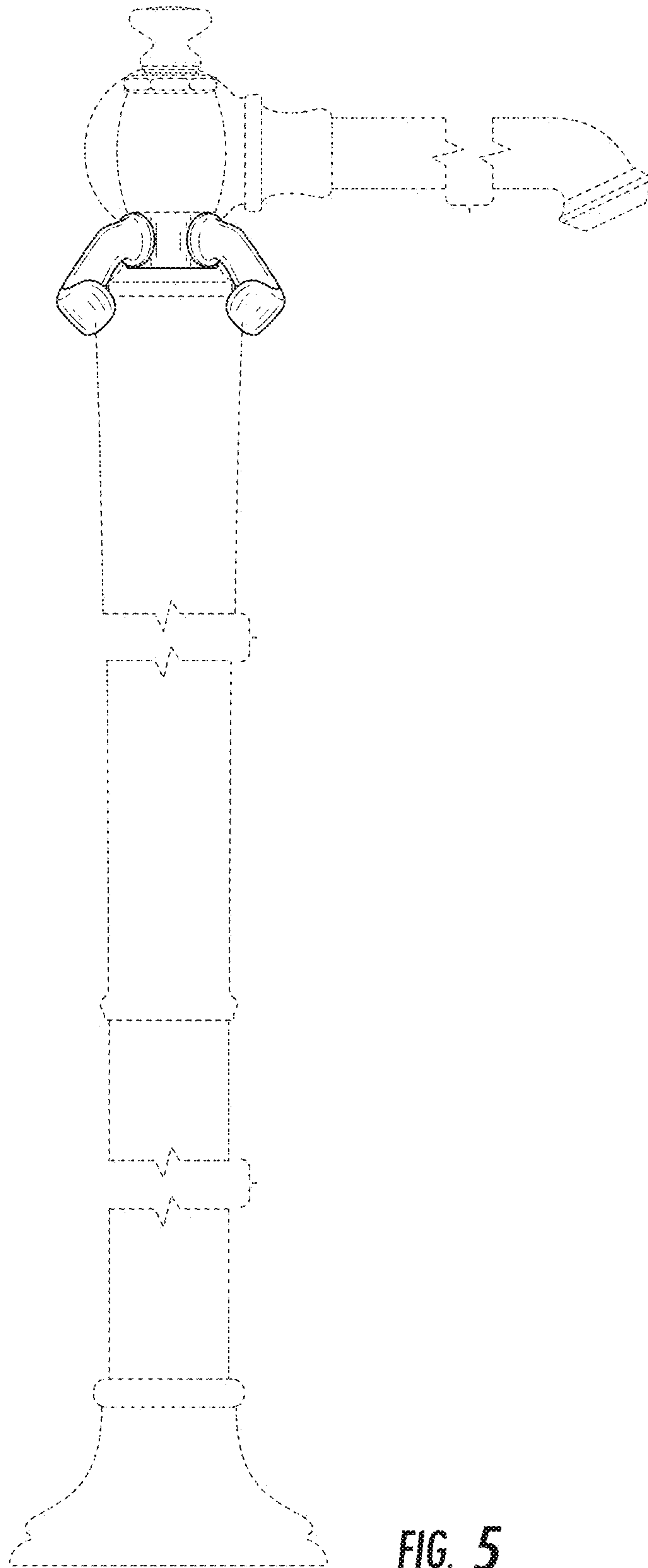


FIG. 5



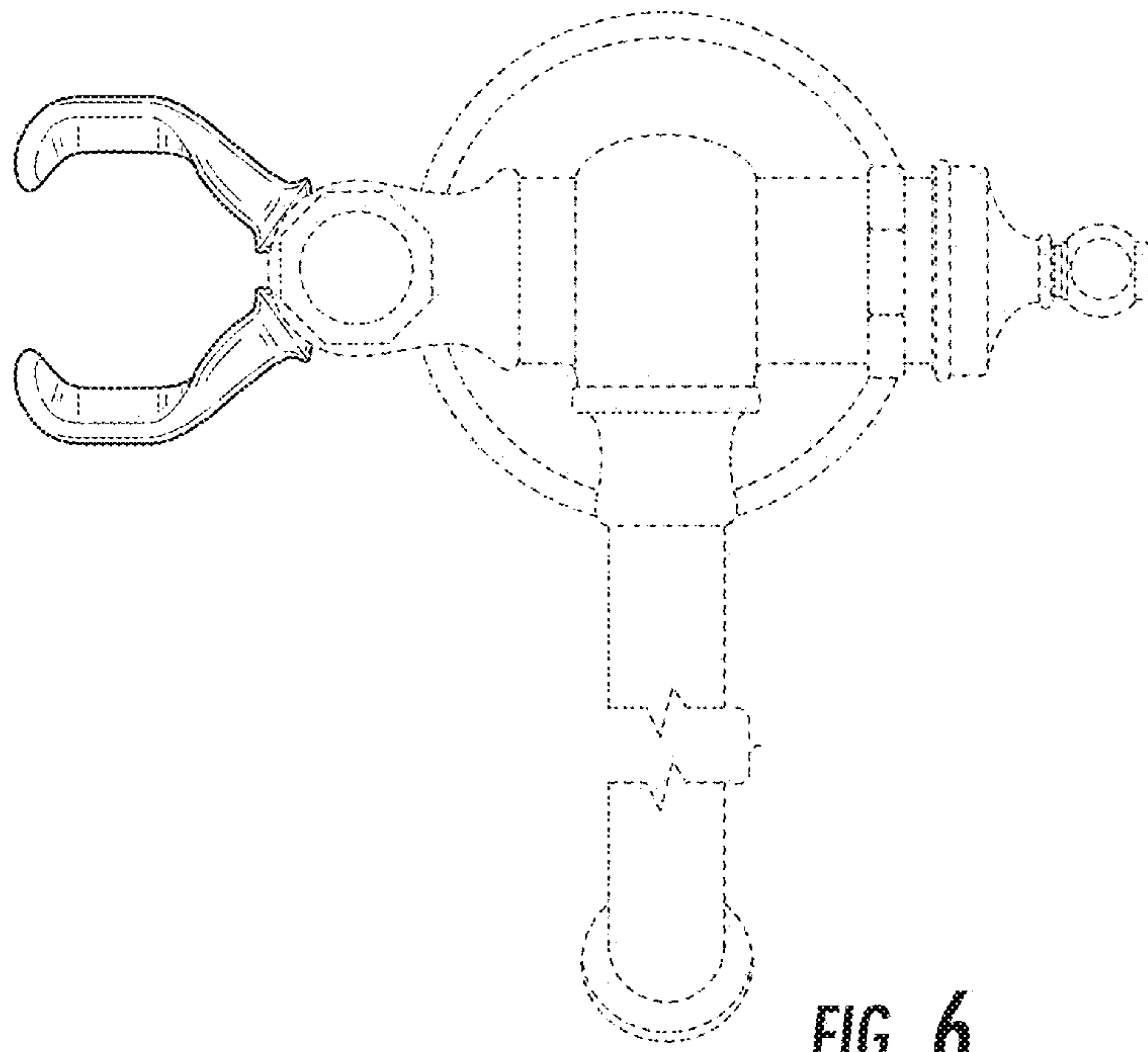


FIG. 6

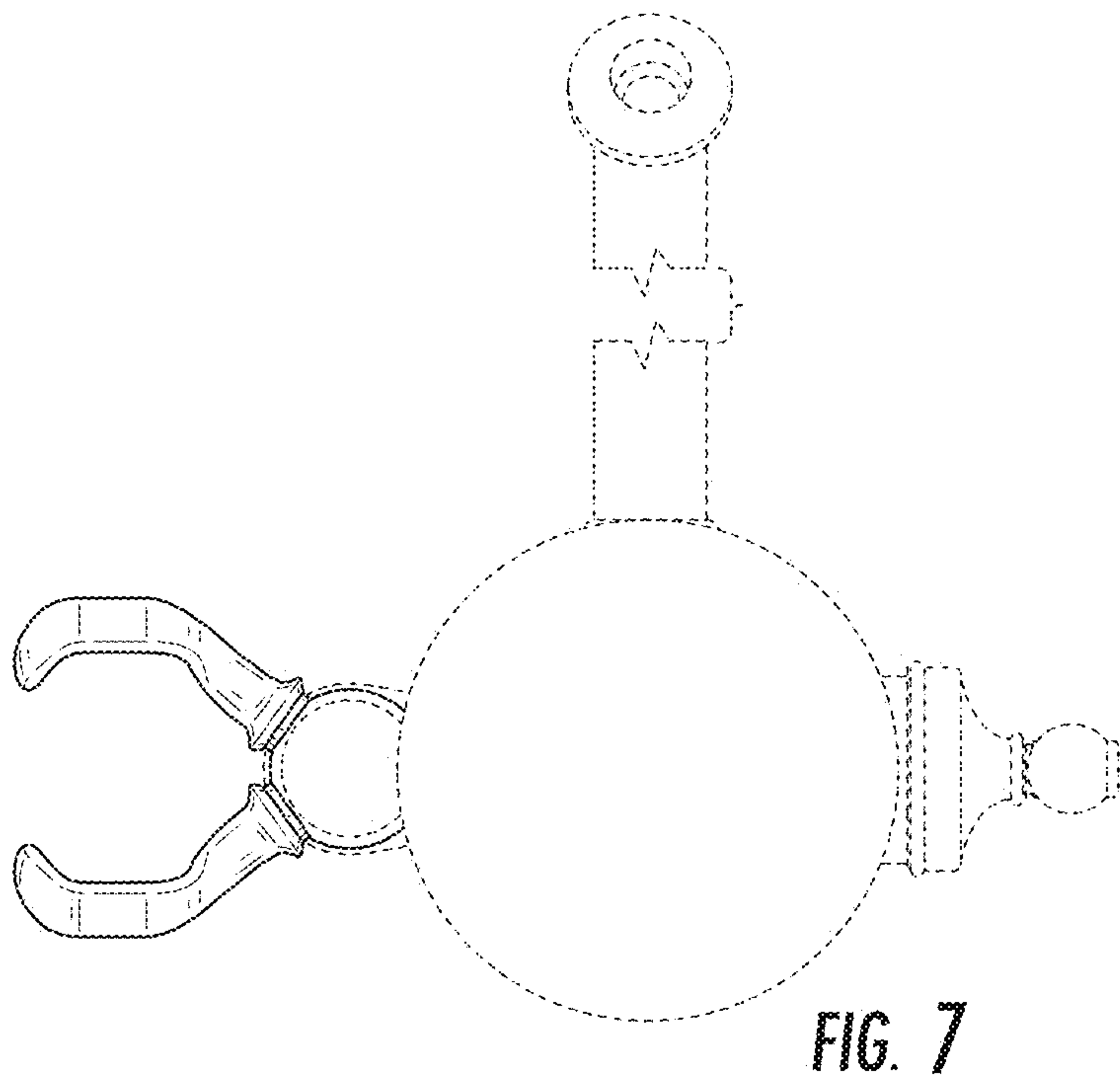


FIG. 7



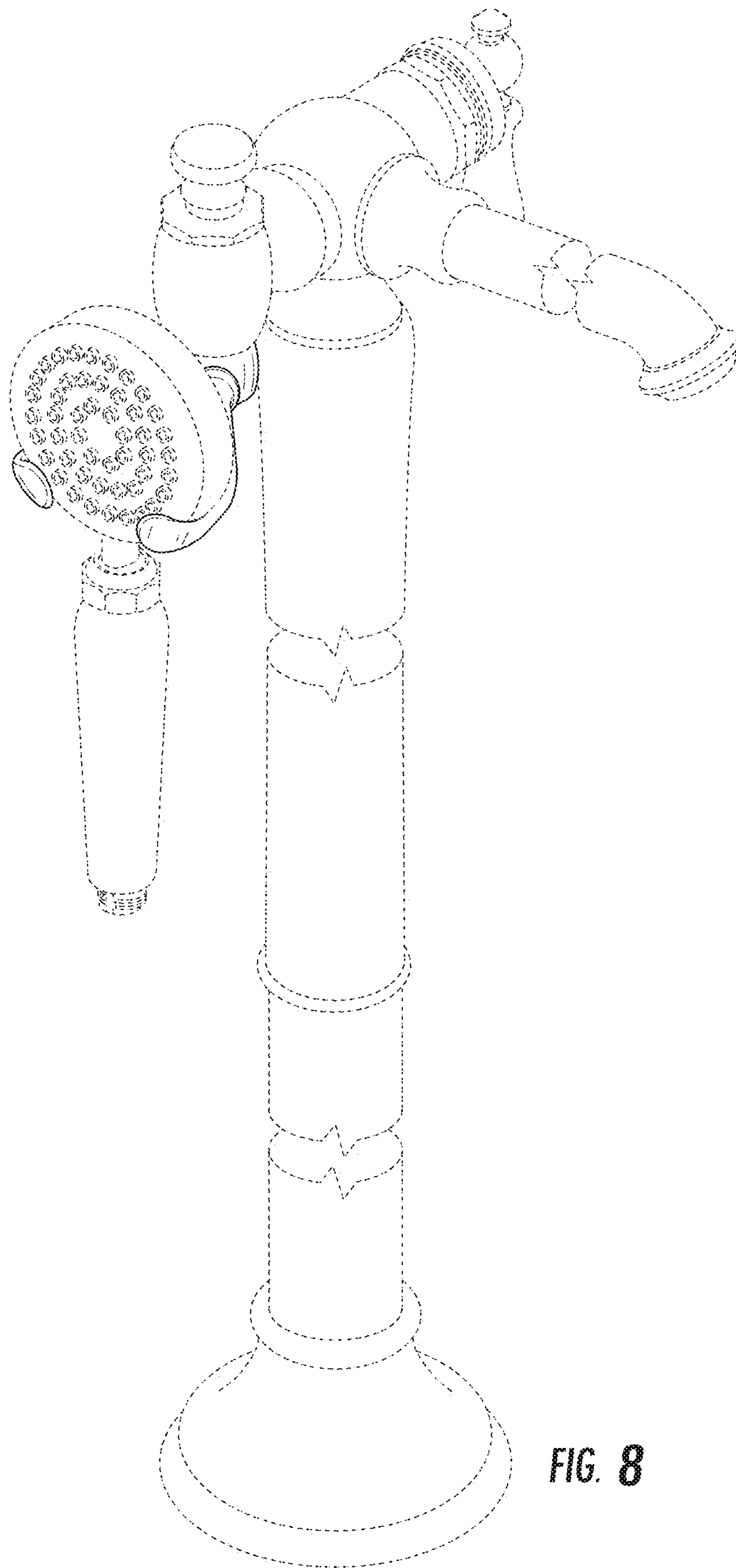
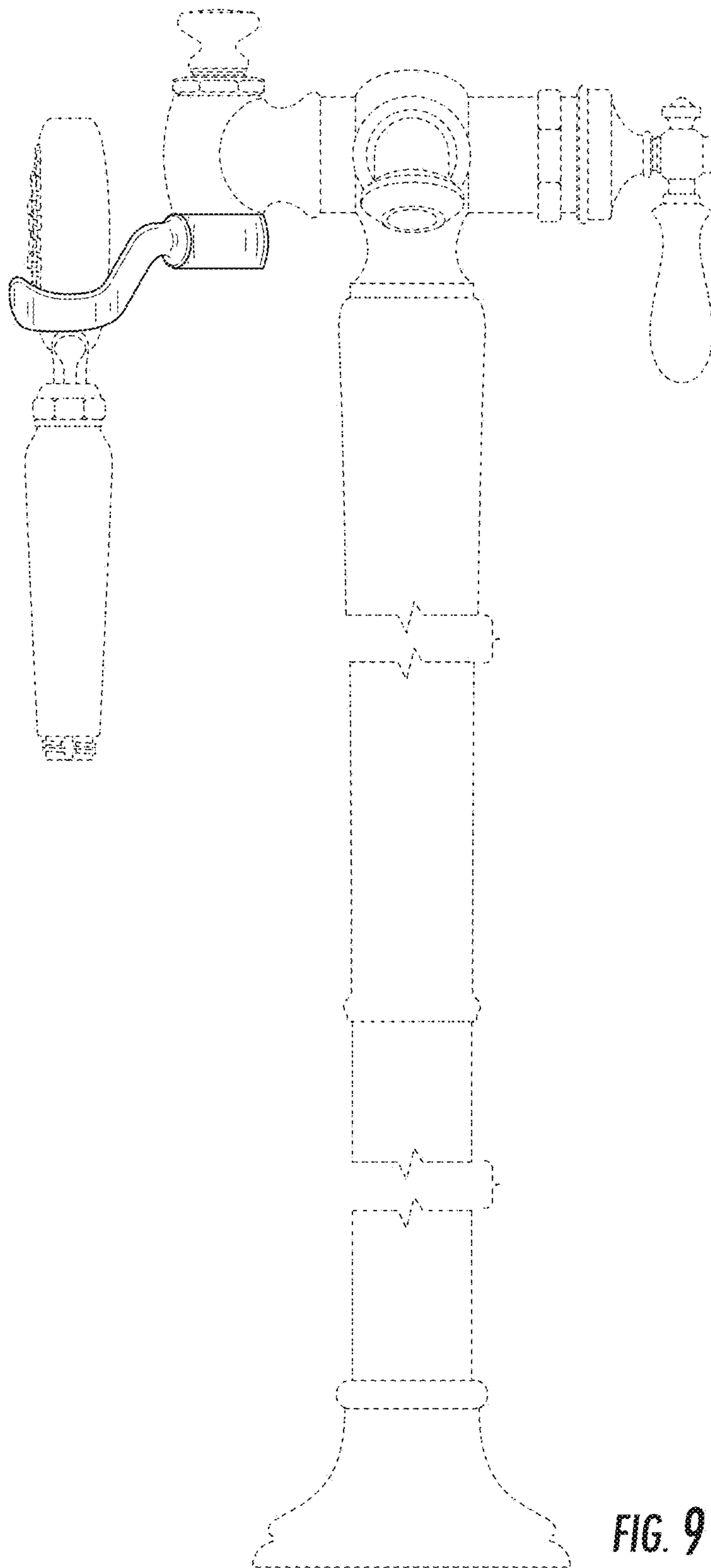


FIG. 8



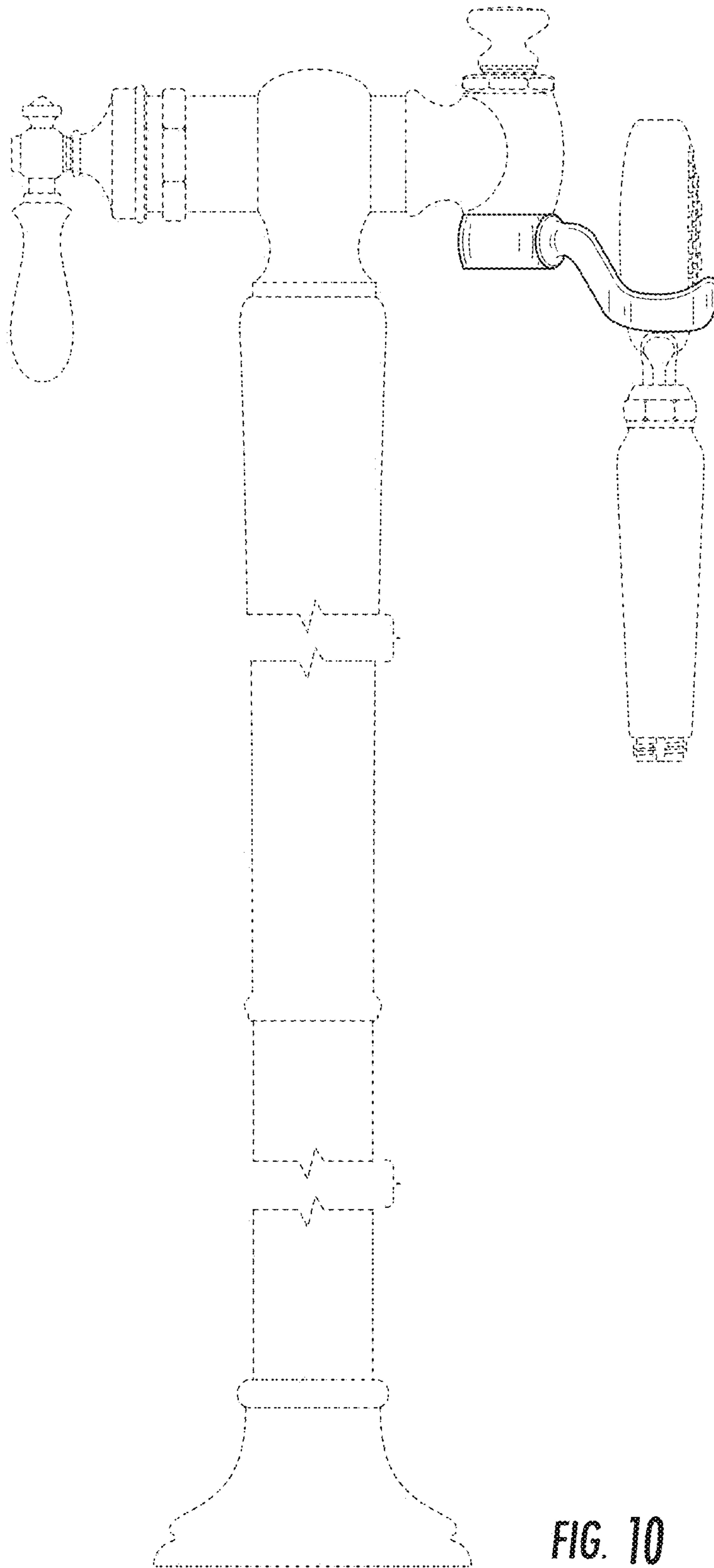


FIG. 10

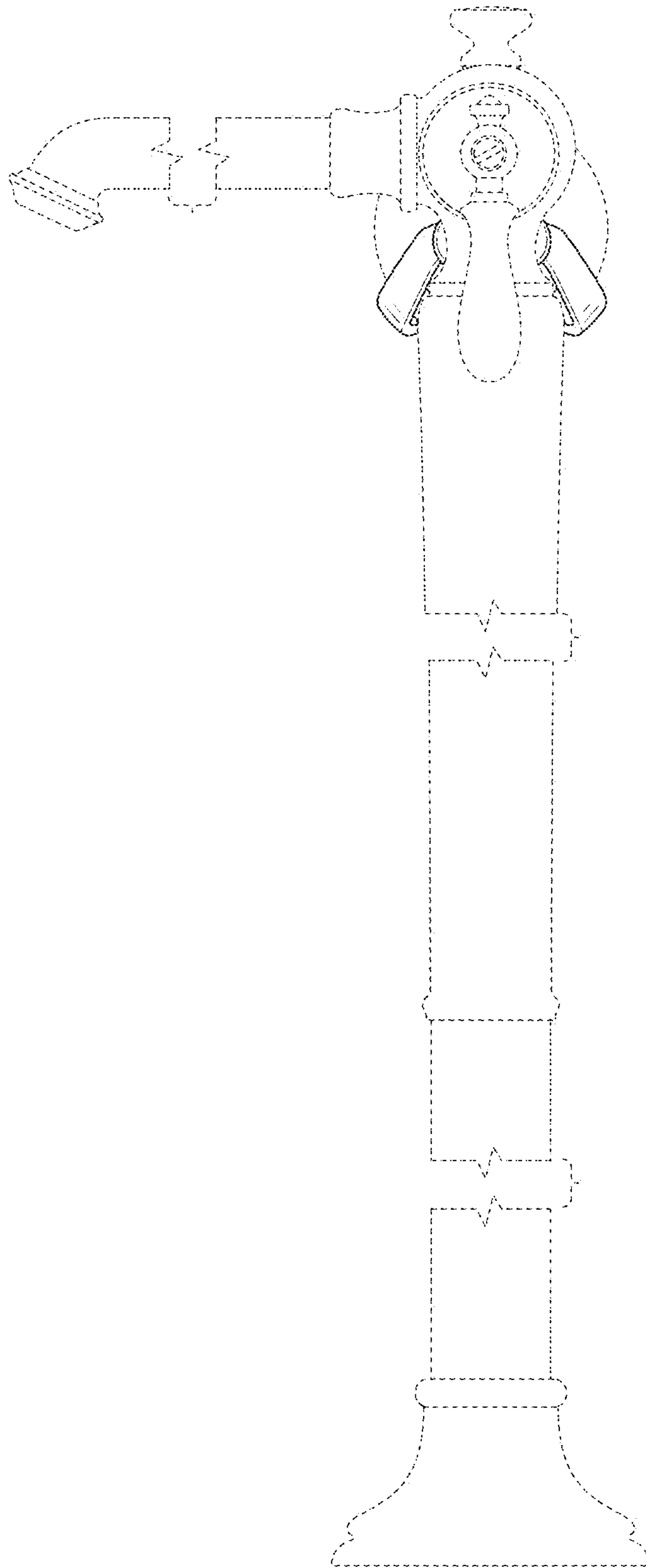


FIG. 11

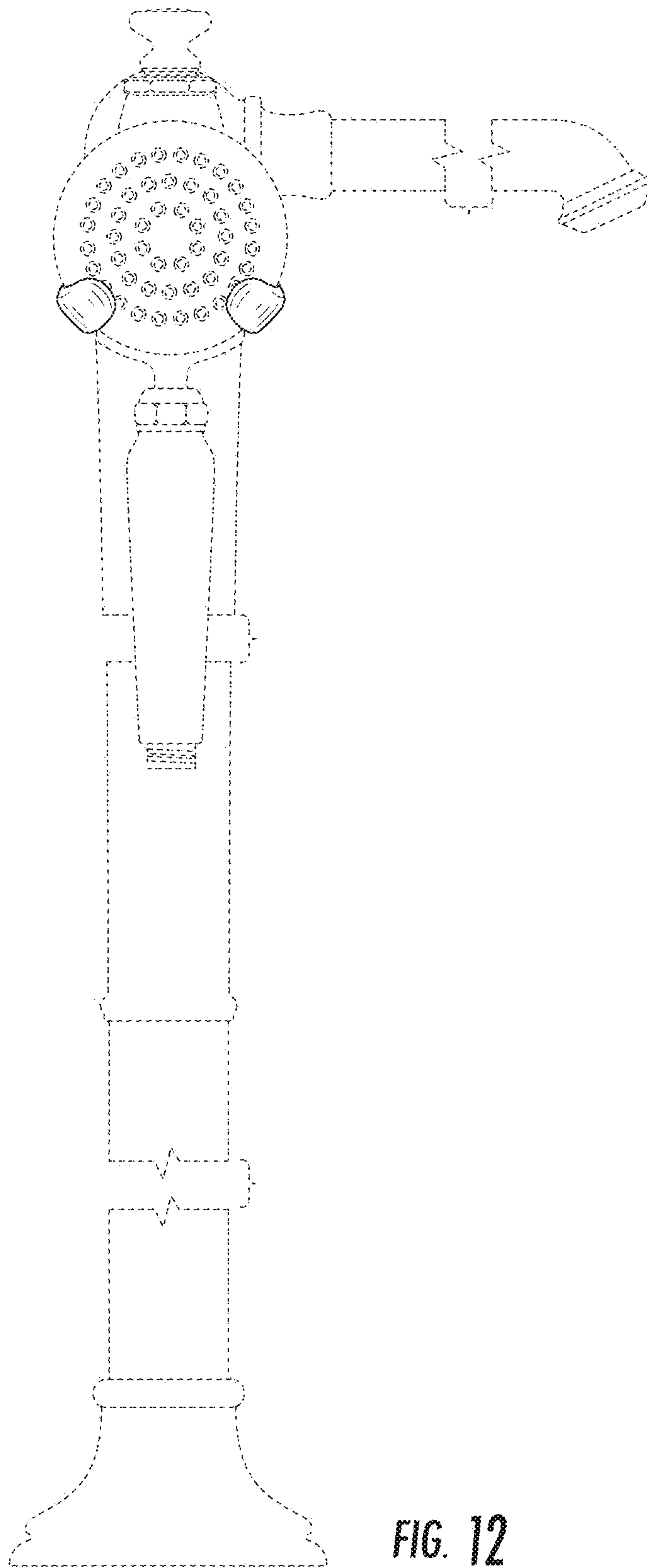


FIG. 12

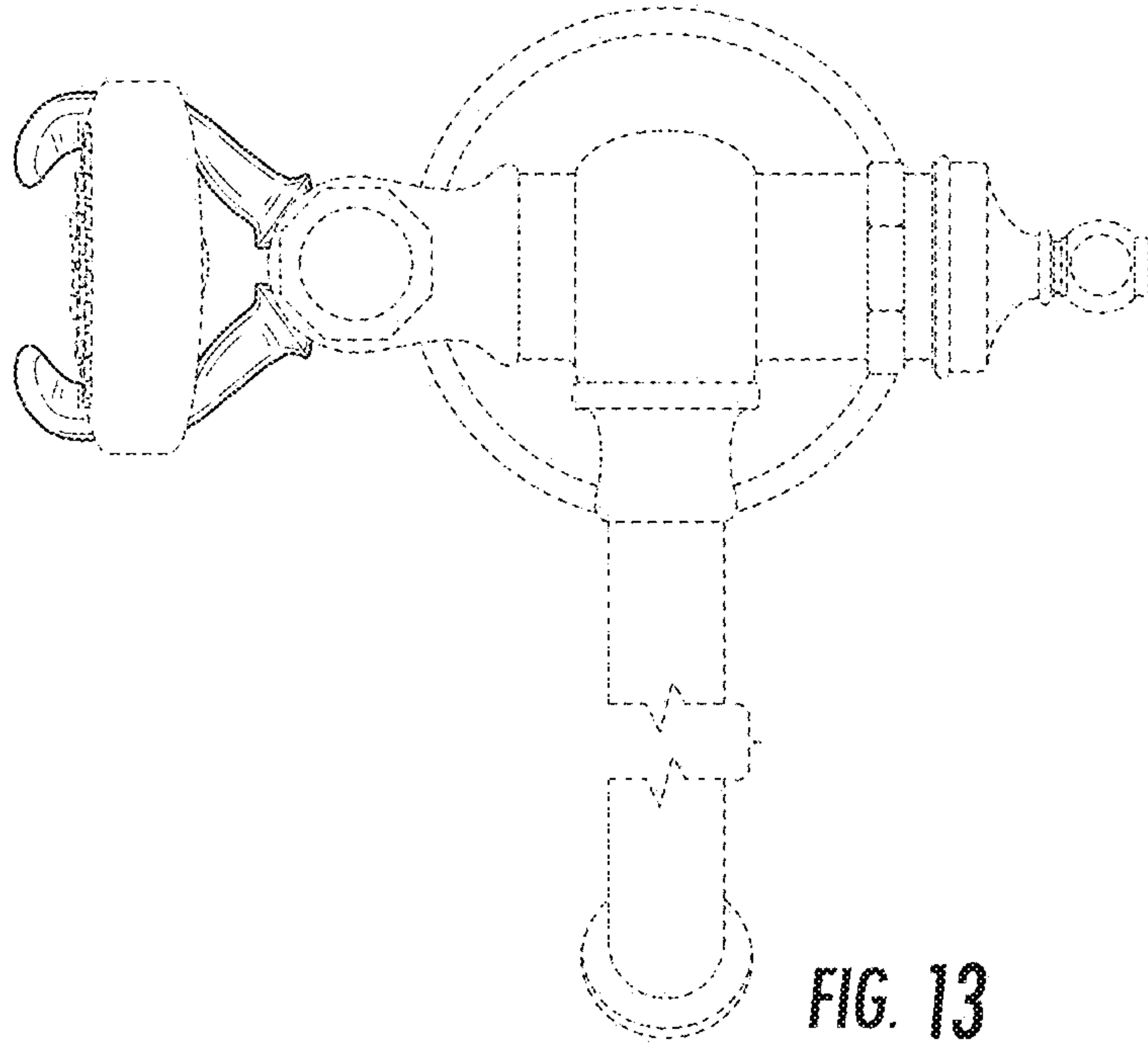


FIG. 13

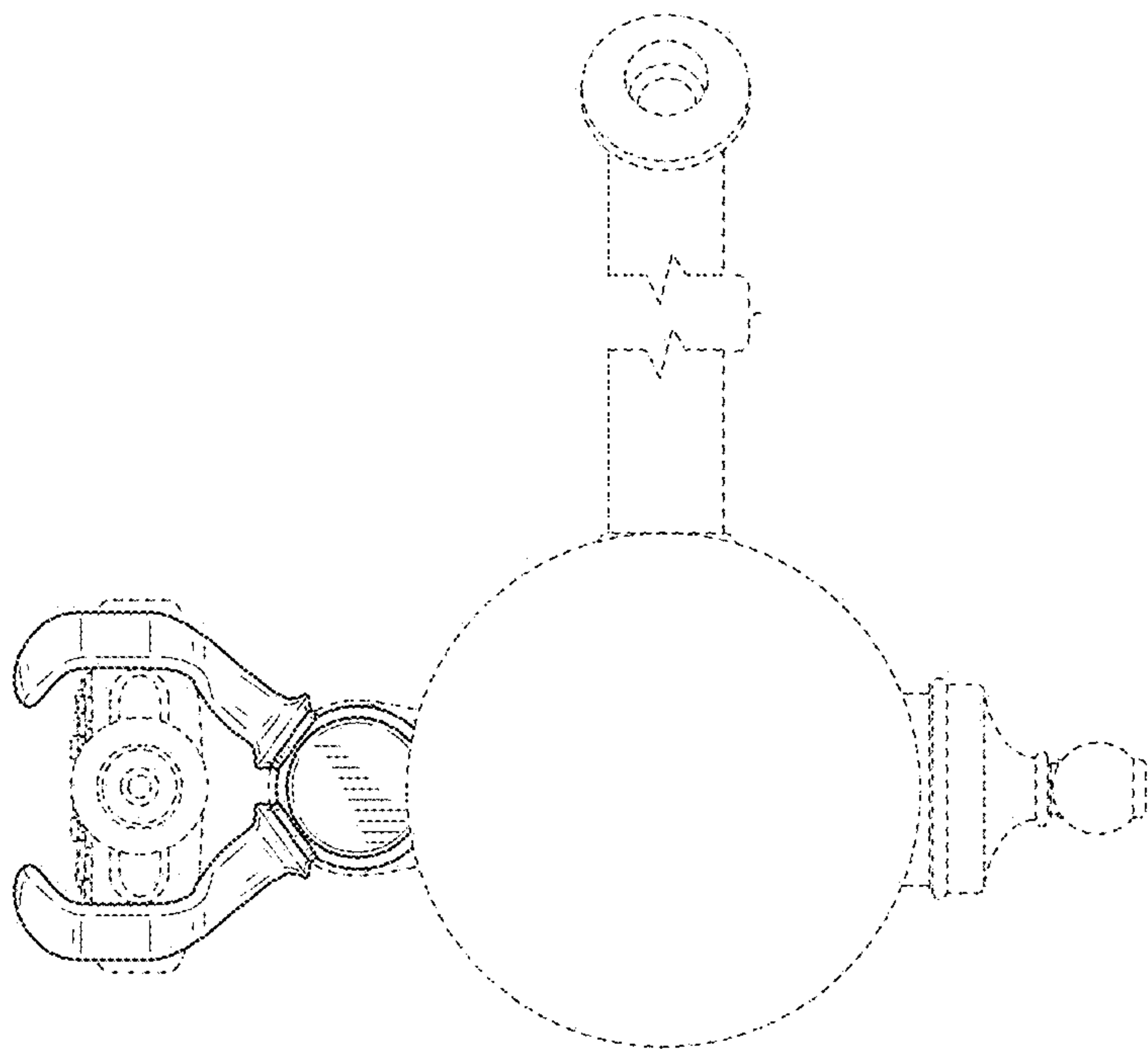


FIG. 14