



US00D903057S

(12) **United States Design Patent**  
**Seum et al.**

(10) **Patent No.:** **US D903,057 S**

(45) **Date of Patent:** **\*\* Nov. 24, 2020**

(54) **FAUCET**

(71) Applicant: **Grohe AG**, Hemer (DE)

(72) Inventors: **Michael Seum**, Duesseldorf (DE);  
**Jacob Nitz**, Brooklyn, NY (US)

(73) Assignee: **Grohe AG**, Hemer (DE)

(\*\*) Term: **15 Years**

(21) Appl. No.: **29/693,772**

(22) Filed: **Jun. 5, 2019**

(30) **Foreign Application Priority Data**

Dec. 5, 2018 (EM) ..... 005844156-0012

(51) **LOC (12) Cl.** ..... **23-01**

(52) **U.S. Cl.**  
USPC ..... **D23/255**

(58) **Field of Classification Search**  
USPC ..... D23/238-243, 249, 255, 257  
See application file for complete search history.

(56) **References Cited**

**U.S. PATENT DOCUMENTS**

D492,013 S \* 6/2004 Citterio ..... D23/255  
D527,807 S \* 9/2006 Haug ..... D23/255

D580,519 S \* 11/2008 Citterio ..... D23/238  
D641,072 S \* 7/2011 Flowers ..... D23/255  
D712,520 S \* 9/2014 Citterio ..... D23/255  
D767,733 S \* 9/2016 Hong ..... D23/255  
D839,997 S \* 2/2019 Cummings ..... D23/255

\* cited by examiner

*Primary Examiner* — Robert A Delehanty

(74) *Attorney, Agent, or Firm* — Muncy, Geissler, Olds & Lowe, P.C.

(57) **CLAIM**

The ornamental design for a faucet, as shown and described.

**DESCRIPTION**

FIG. 1 is a front perspective view of a faucet according to the present invention.

FIG. 2 is a front view of the faucet of FIG. 1.

FIG. 3 is a rear view of the faucet of FIG. 1.

FIG. 4 is a left side view of the faucet of FIG. 1.

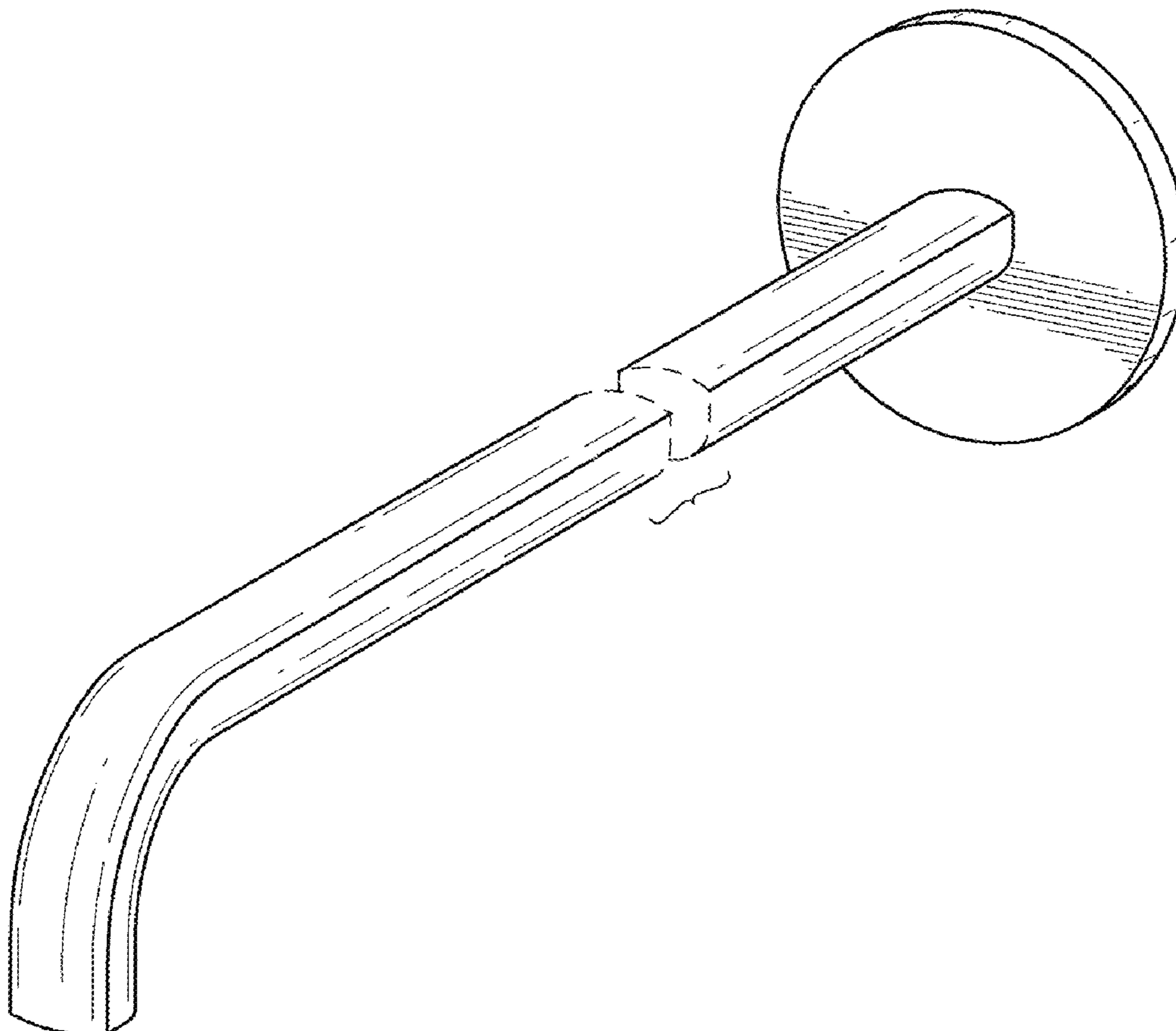
FIG. 5 is a right side view of the faucet of FIG. 1.

FIG. 6 is a top view of the faucet of FIG. 1; and,

FIG. 7 is a bottom view of the faucet of FIG. 1.

The dashed lines define the bounds of the claimed design and form no part thereof. The appearance of any portion of the article between the broken away symbols forms no part of the claimed design.

**1 Claim, 7 Drawing Sheets**



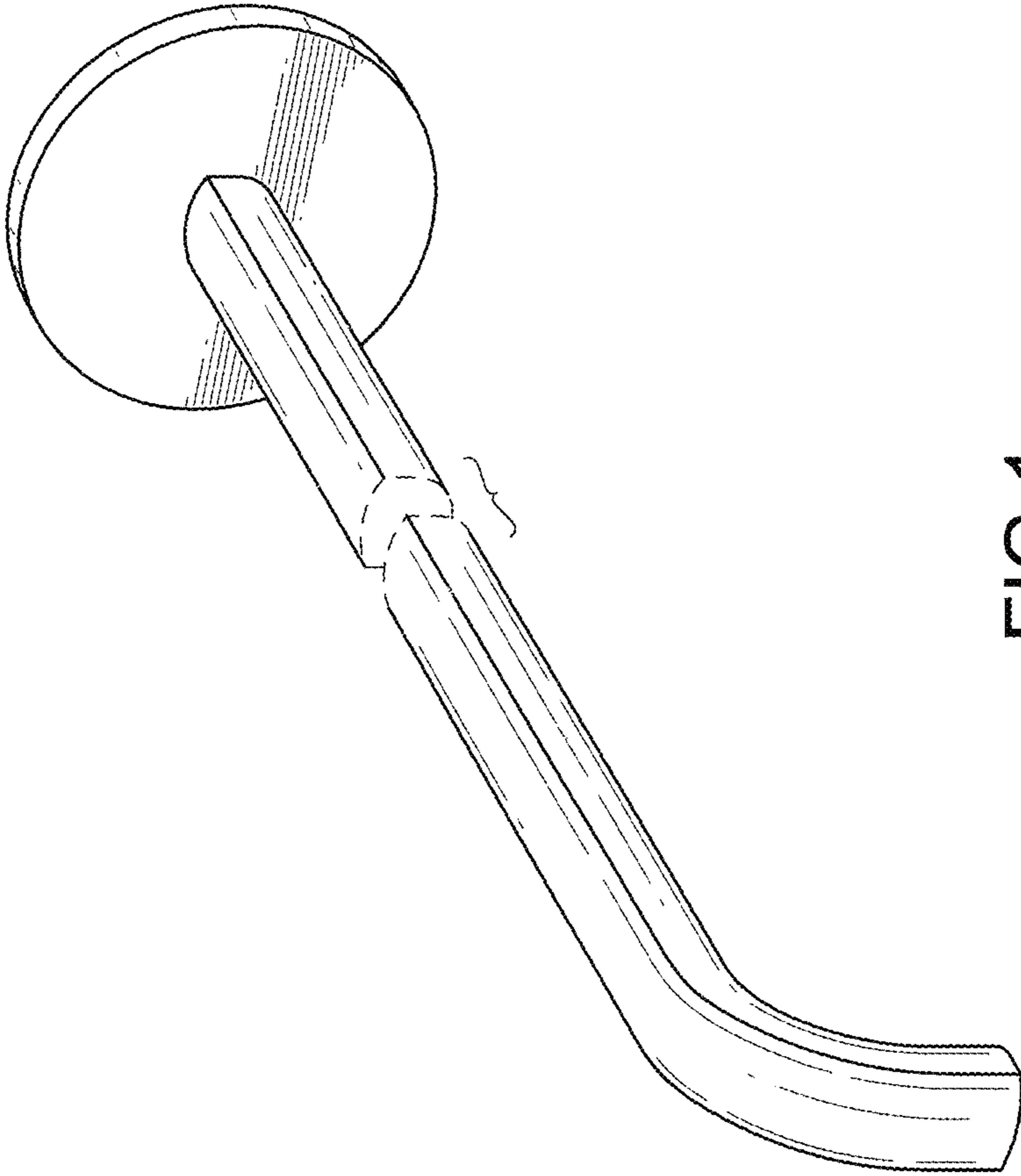


FIG.1

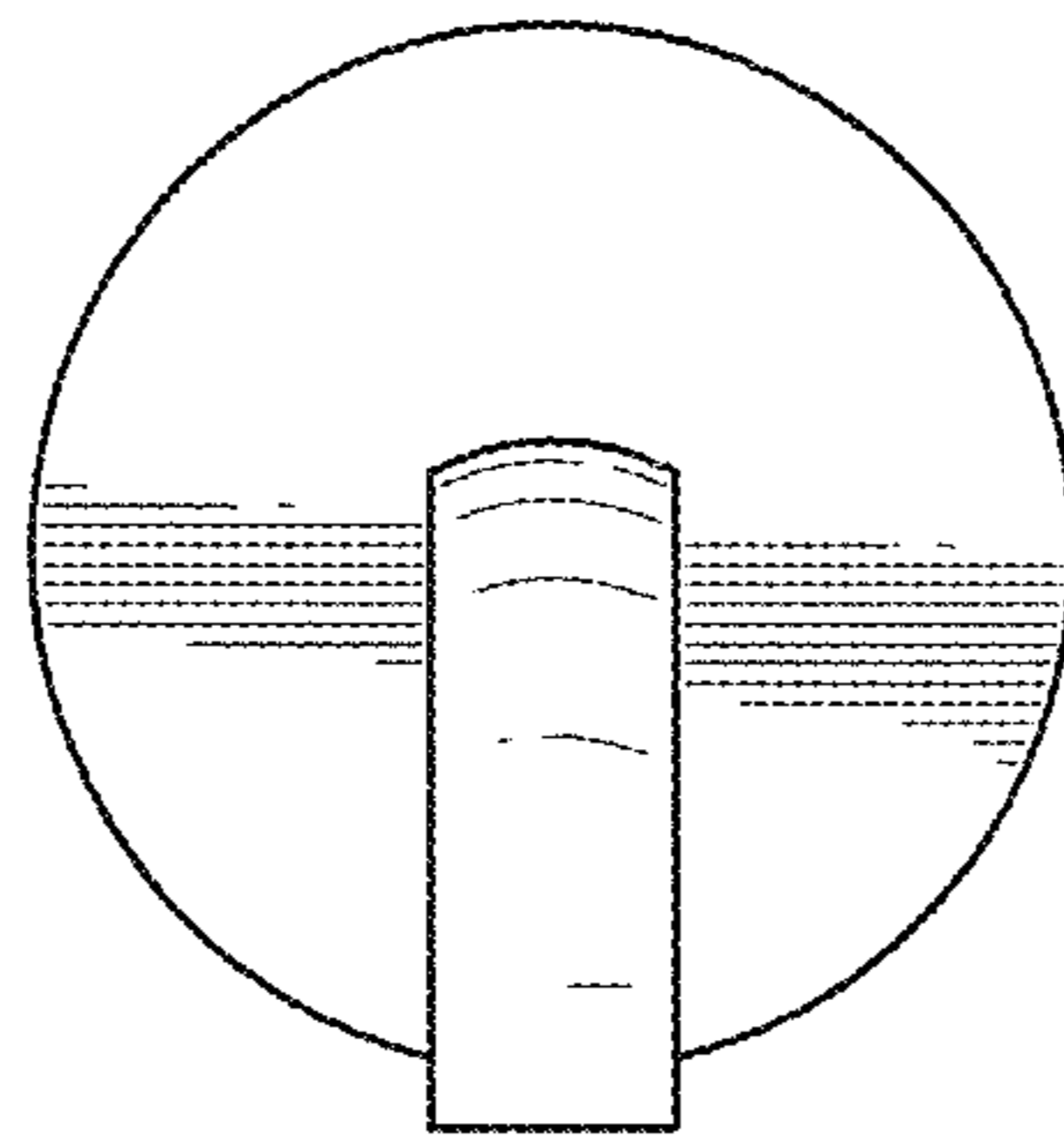


FIG.2

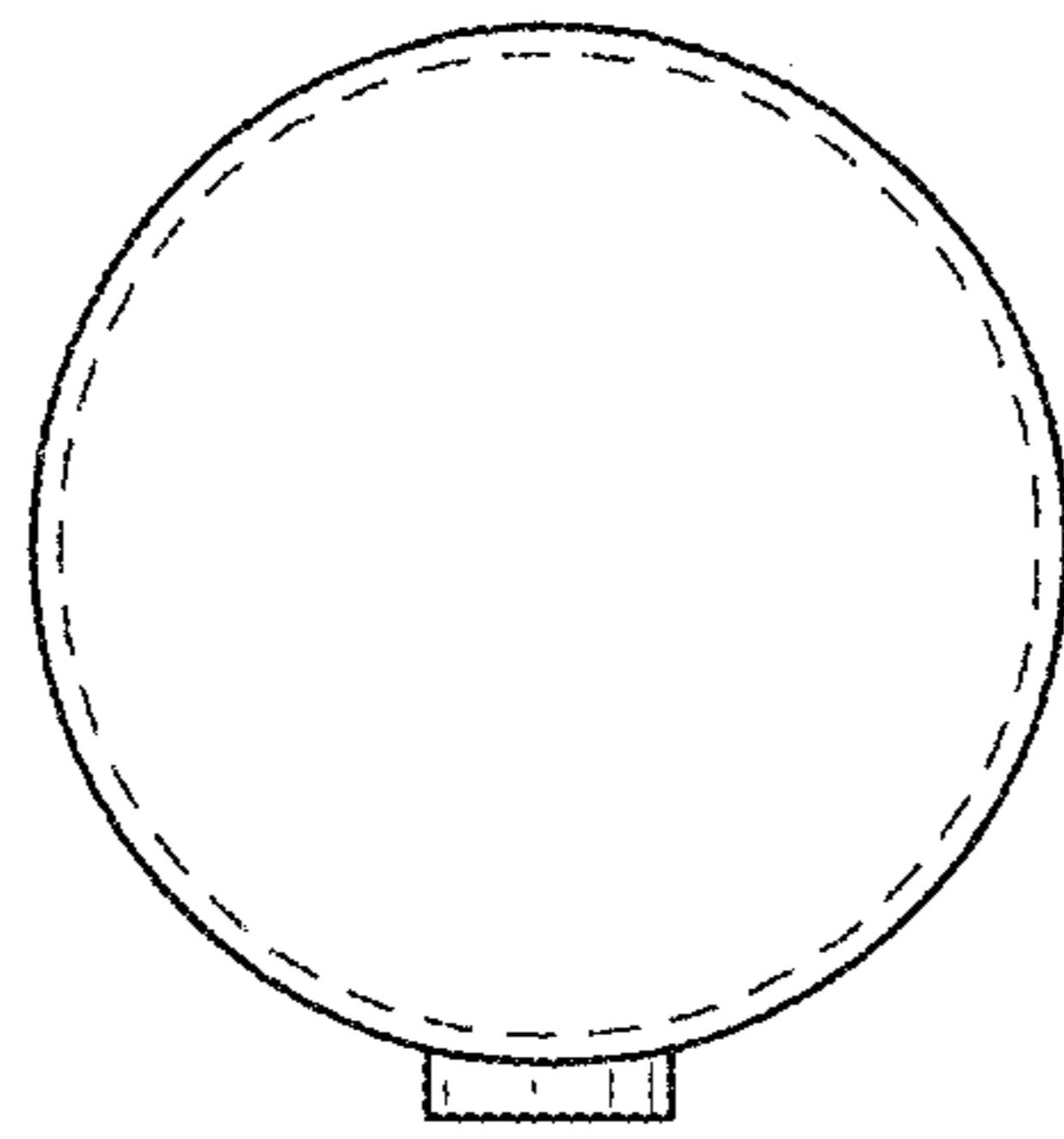


FIG.3

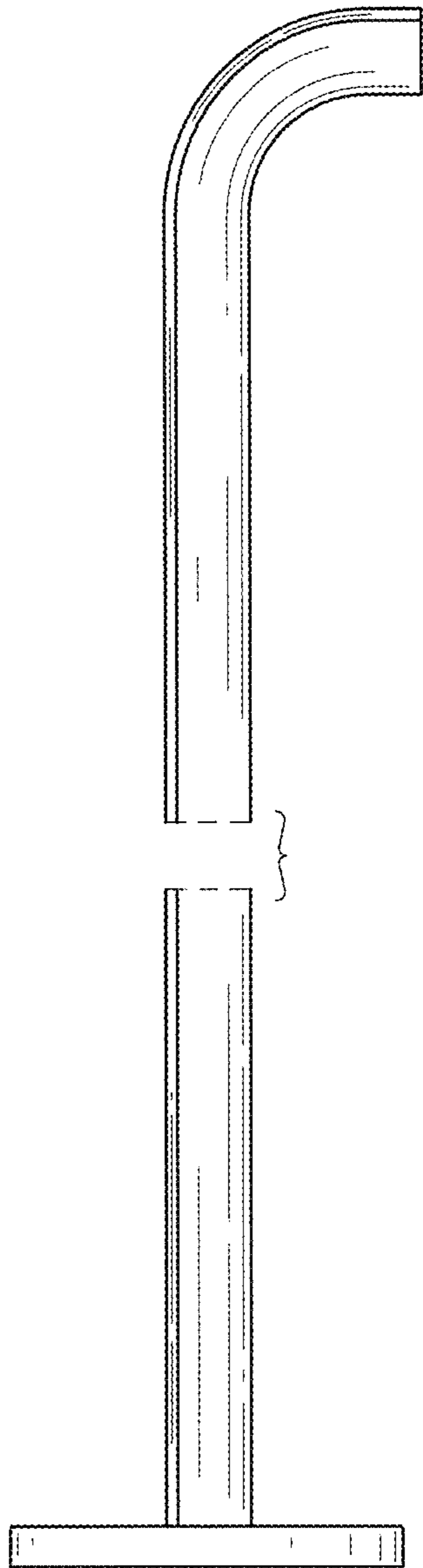


FIG.4

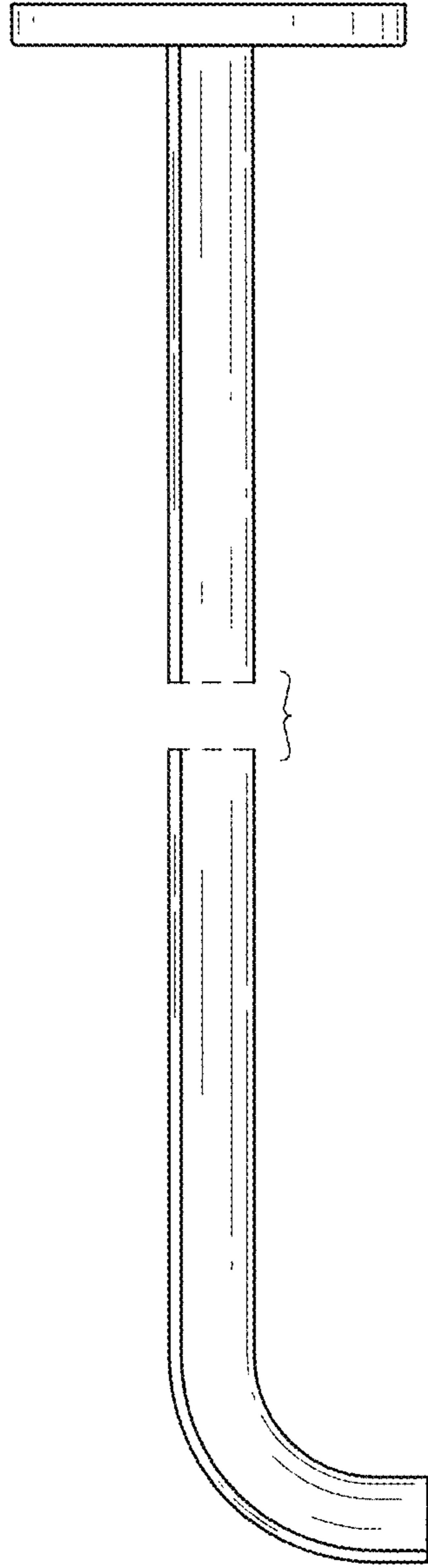


FIG.5

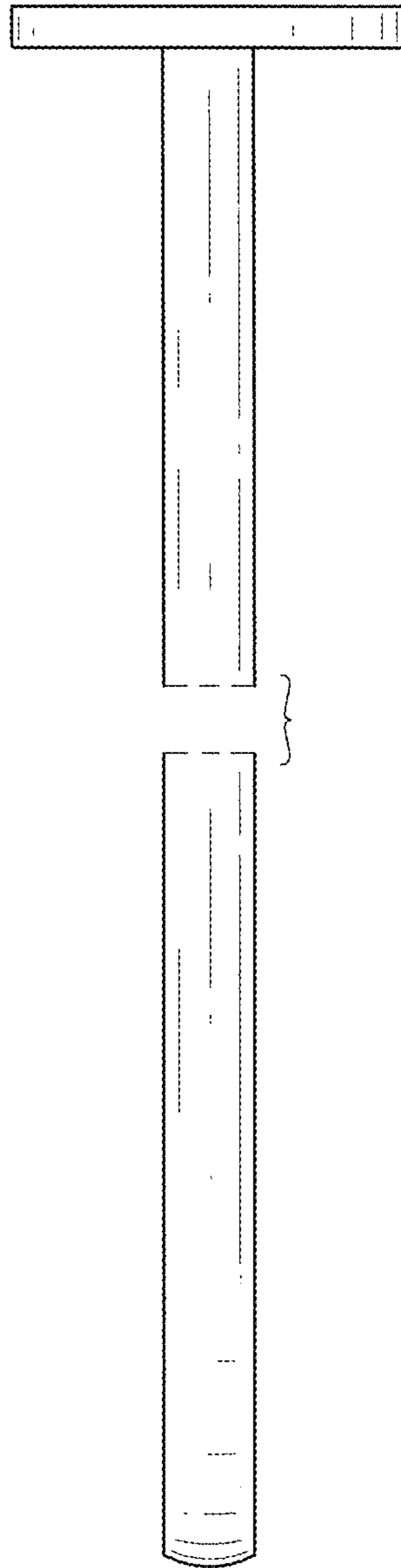


FIG.6

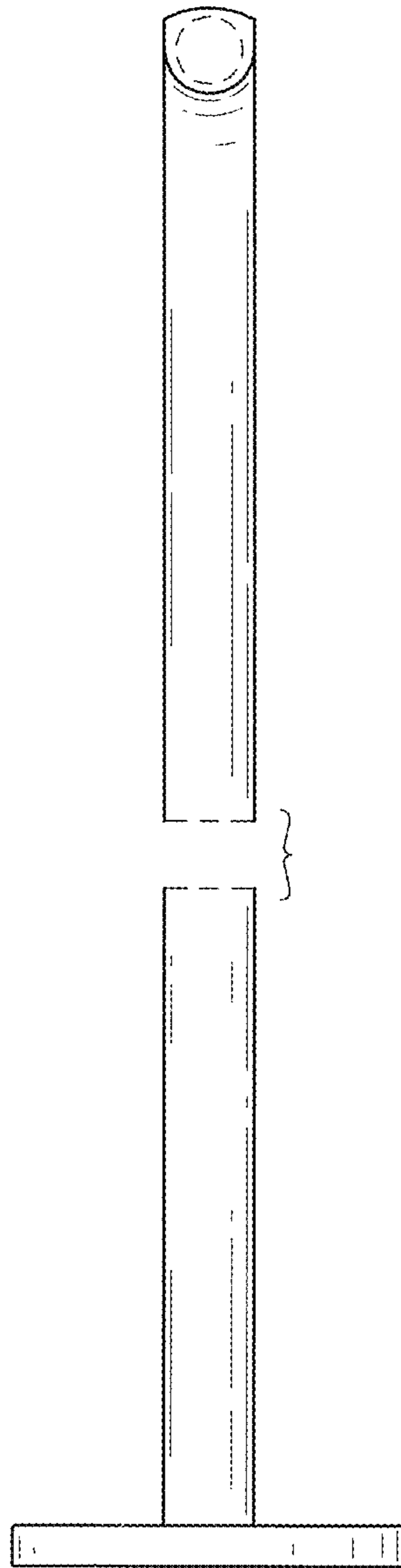


FIG.7