



US00D903054S

(12) **United States Design Patent** (10) **Patent No.:** **US D903,054 S**
Seum et al. (45) **Date of Patent:** **** Nov. 24, 2020**

(54) **WATER VALVE**

D730,492 S * 5/2015 Flowers D23/254
D818,087 S * 5/2018 Seum D23/254
2020/0048881 A1* 2/2020 Bai E03C 1/0408

(71) Applicant: **Grohe AG**, Hemer (DE)

* cited by examiner

(72) Inventors: **Michael Seum**, Duesseldorf (DE);
Jochen Allard, Duesseldorf (DE)

Primary Examiner — Robert A Delehanty

(73) Assignee: **Grohe AG**, Hemer (DE)

(74) *Attorney, Agent, or Firm* — Muncy, Geissler, Olds & Lowe, P.C.

(**) Term: **15 Years**

(21) Appl. No.: **29/681,687**

(57) **CLAIM**

(22) Filed: **Feb. 27, 2019**

The ornamental design for a water valve, as shown and described.

(30) **Foreign Application Priority Data**

Aug. 27, 2018 (EM) 005621687-0024

(51) **LOC (12) Cl.** **23-01**

(52) **U.S. Cl.**
USPC **D23/254**

(58) **Field of Classification Search**
USPC D23/250, 252, 254, 238–243, 249;
D8/307–308, 352
CPC E03C 1/0408; E03C 1/09; E03C 1/042;
E03C 1/0412
See application file for complete search history.

DESCRIPTION

FIG. 1 is a front perspective view of a water valve according to the present invention.

FIG. 2 is a front view of the water valve of FIG. 1.

FIG. 3 is a rear view of the water valve of FIG. 1.

FIG. 4 is a left side view of the water valve of FIG. 1.

FIG. 5 is a right side view of the water valve of FIG. 1.

FIG. 6 is a top view of the water valve of FIG. 1; and,

FIG. 7 is a bottom view of the water valve of FIG. 1.

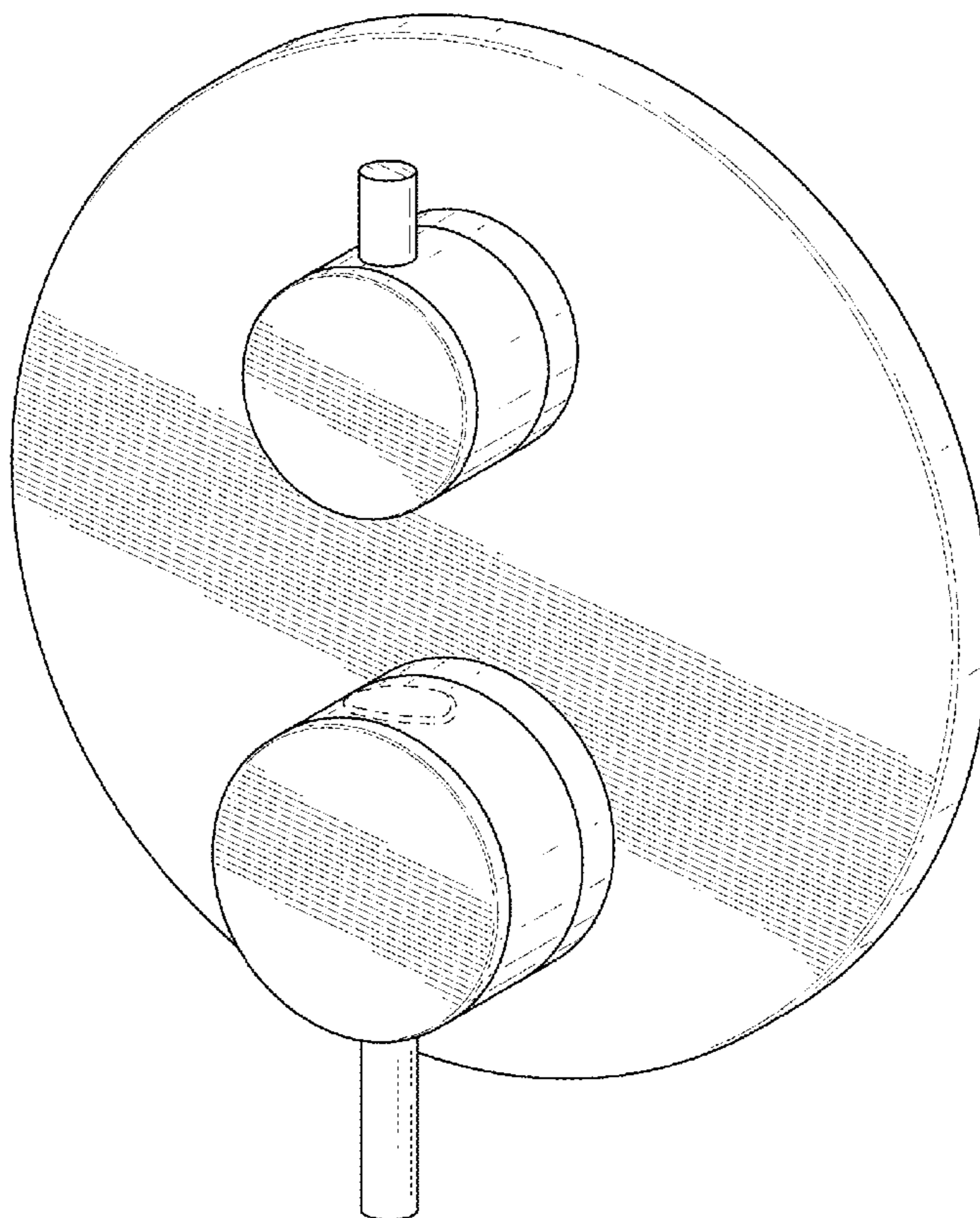
The dashed lines shown on the top the knob and on the rear of the water valve define the bounds of the claimed design and no claim is made to the material illustrated within the dashed lines thereof.

(56) **References Cited**

U.S. PATENT DOCUMENTS

D576,708 S * 9/2008 Citterio D23/238
D725,234 S * 3/2015 Barber D23/254

1 Claim, 7 Drawing Sheets



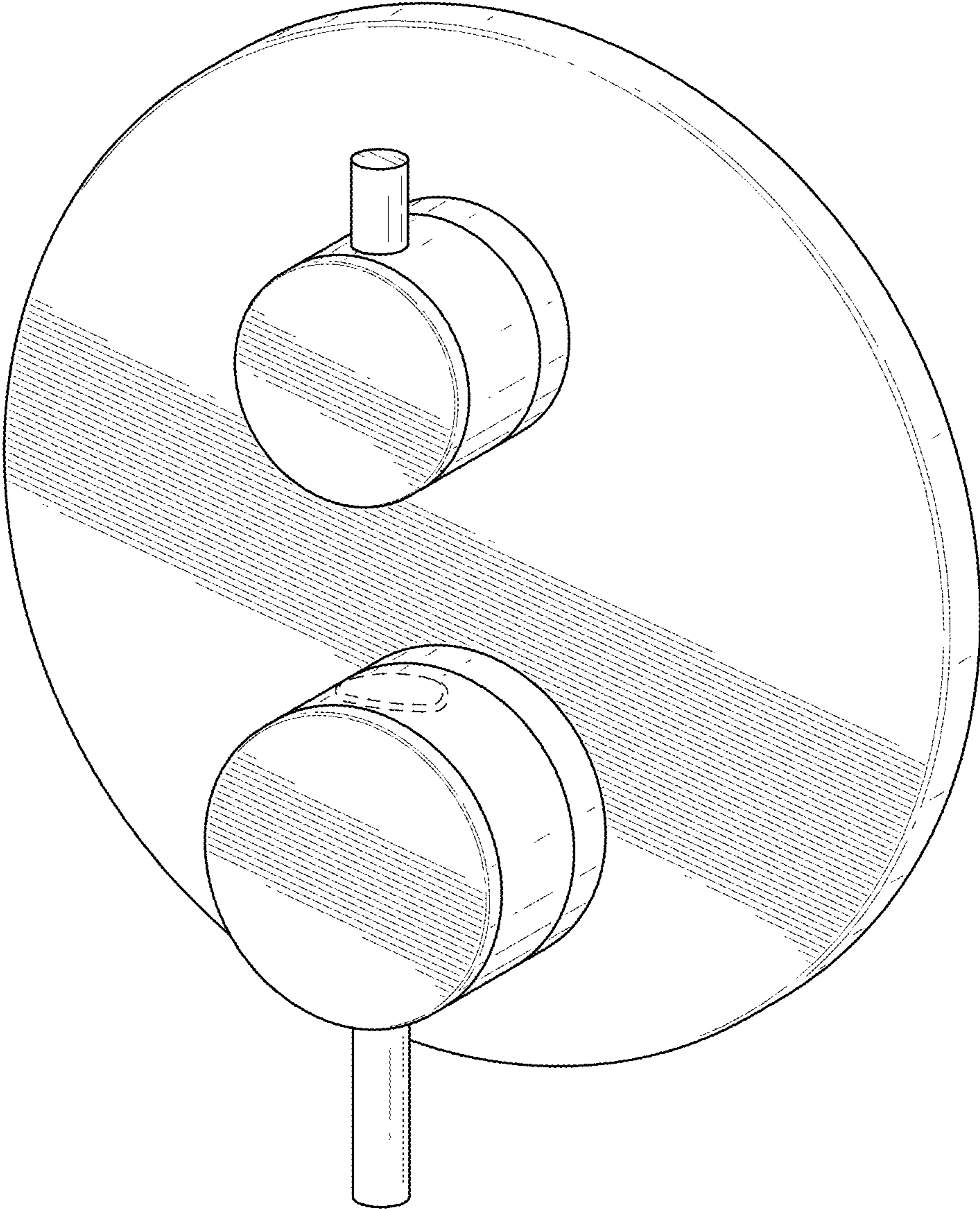


FIG.1

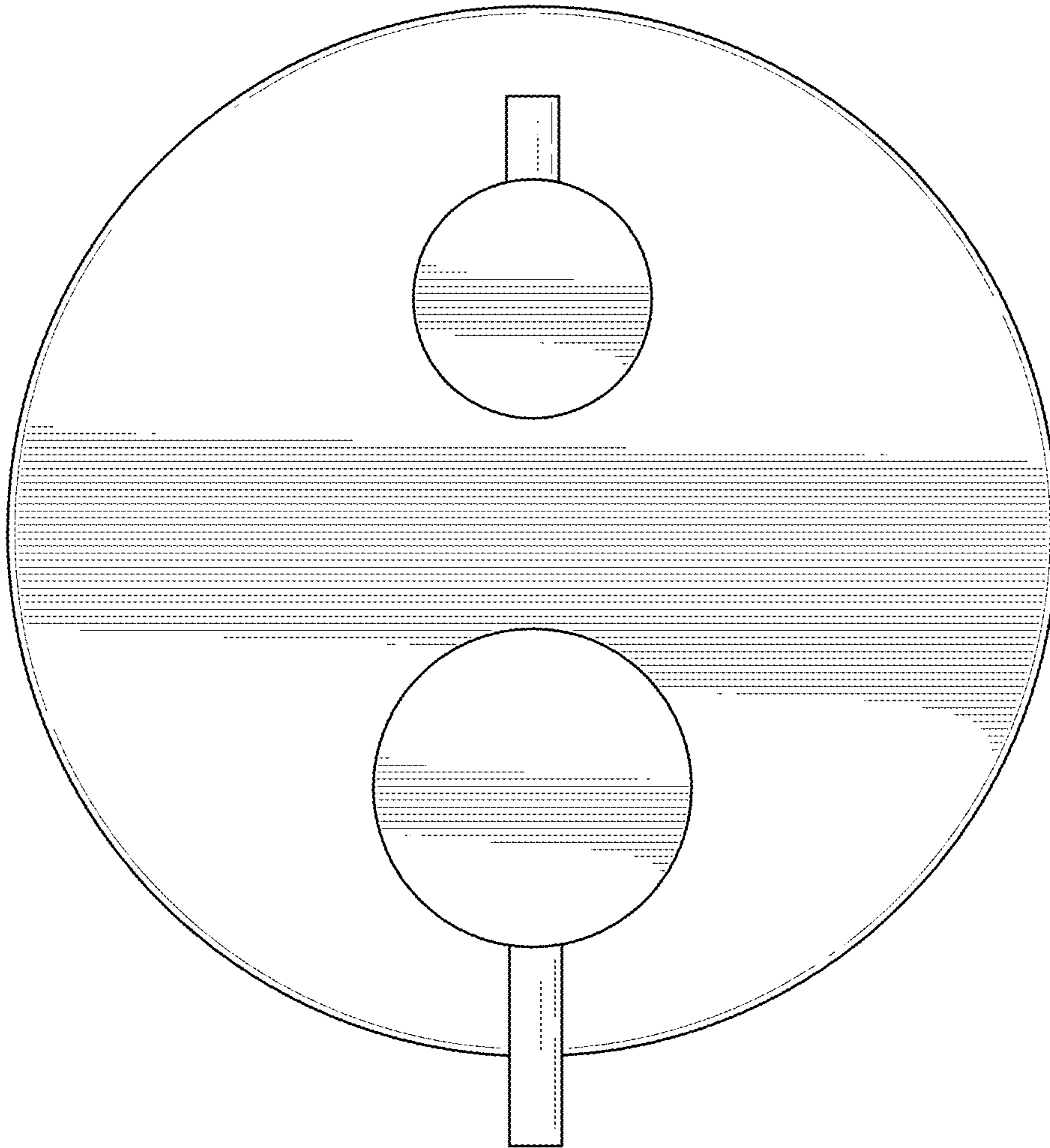


FIG. 2

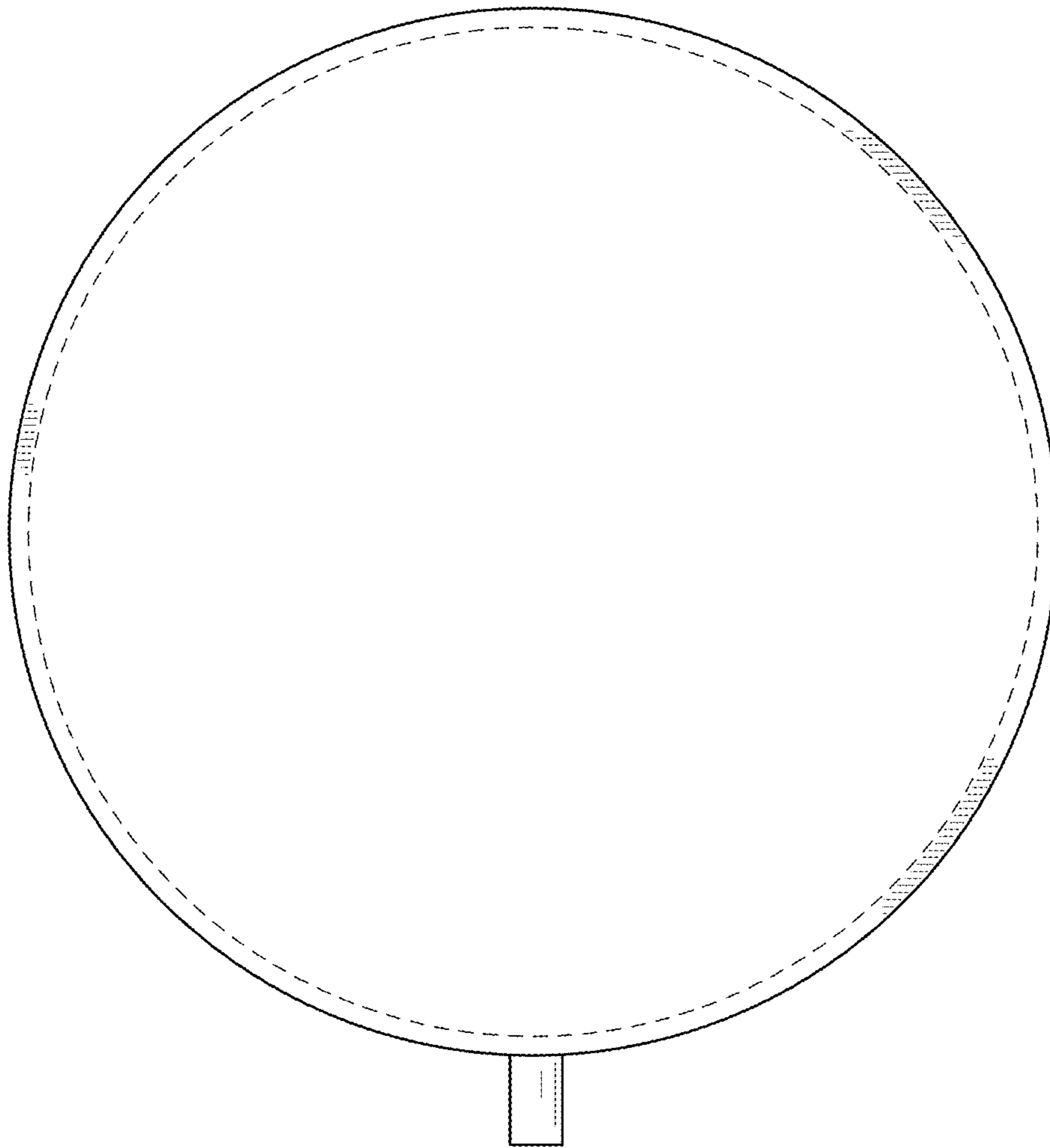


FIG.3

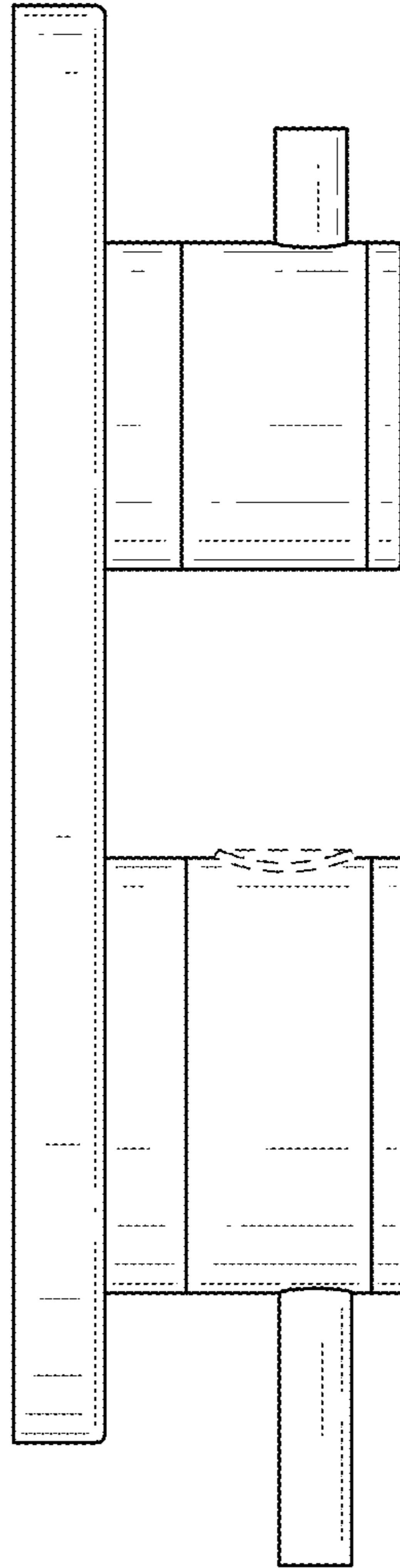


FIG.4

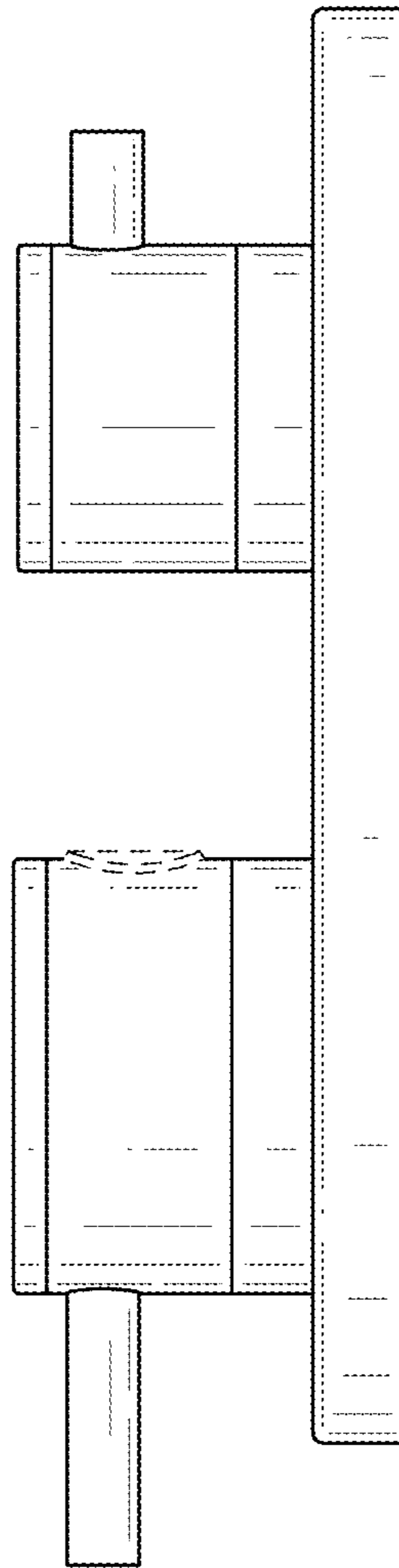


FIG.5

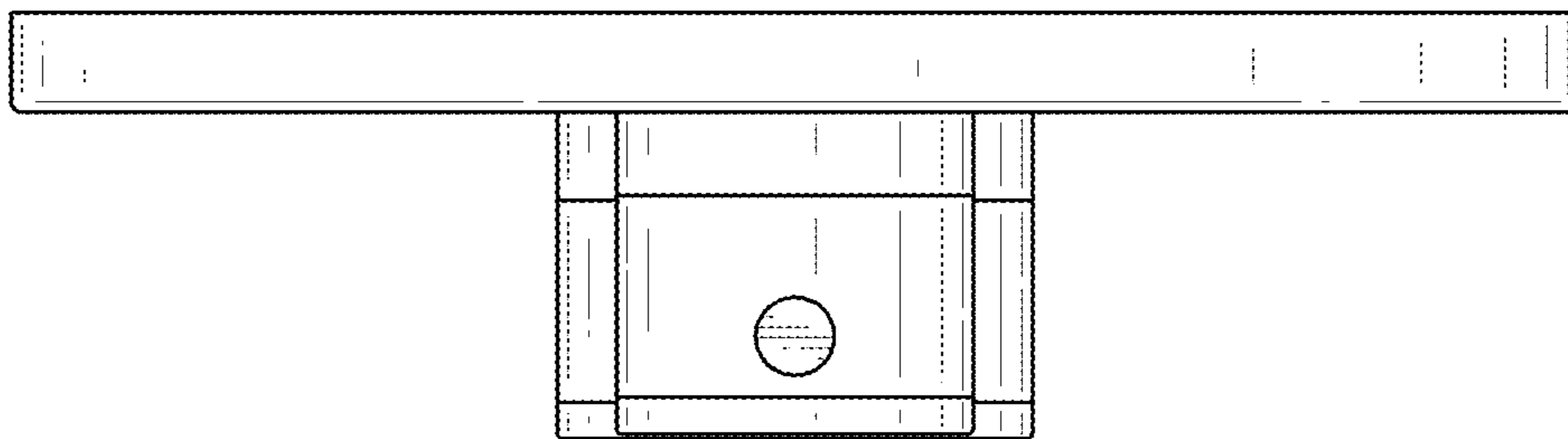


FIG.6

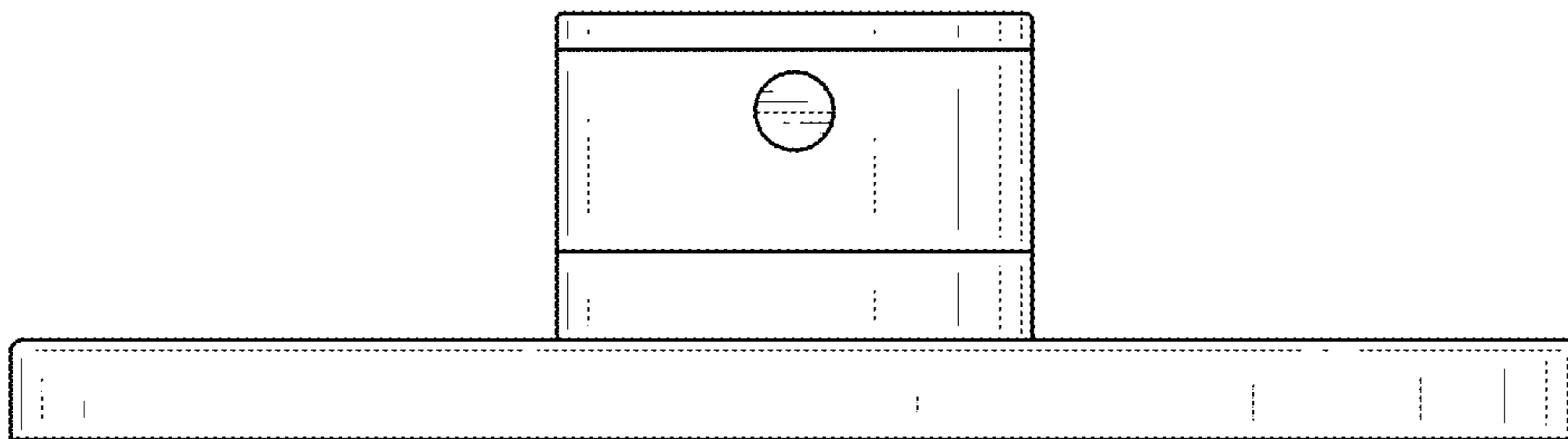


FIG.7