



US00D903052S

(12) **United States Design Patent** (10) **Patent No.:** **US D903,052 S**
Chew et al. (45) **Date of Patent:** **** Nov. 24, 2020**

(54) **SHOWER CONTROLLER**
(71) Applicant: **BEIJING KOHLER LTD.**, Beijing (CN)
(72) Inventors: **Han Chew**, Shanghai (CN); **Sophie Su**, Shanghai (CN); **Chia Ying Lee**, Chicago, IL (US)
(73) Assignee: **BEIJING KOHLER LTD.**, Beijing (CN)

D508,730 S 8/2005 Blomstrom
D524,412 S 7/2006 Blomstrom
D581,393 S * 11/2008 Rodrigues D14/188
D611,036 S * 3/2010 Cooper D14/217
D613,270 S * 4/2010 Cooper D14/217
D680,619 S 4/2013 Zhadanov
D681,776 S 5/2013 Cutler et al.
D694,357 S 11/2013 Brodey et al.

(Continued)

(**) Term: **15 Years**
(21) Appl. No.: **29/745,212**
(22) Filed: **Aug. 4, 2020**

Related U.S. Application Data

(62) Division of application No. 29/648,830, filed on May 24, 2018, now Pat. No. Des. 895,063.

(51) **LOC (12) Cl.** **23-01**
(52) **U.S. Cl.**
USPC **D23/229**

(58) **Field of Classification Search**
USPC D23/213, 214, 215, 223, 224, 226, 229, D23/230, 242, 421; D13/162-164, 168, D13/171; D14/174, 217-218, 511; D9/448
CPC A61H 9/0021; A61H 33/00; B05B 1/00; B05B 1/14; B05B 1/185; B05B 1/08; B05B 1/02; B05B 1/26; B05B 12/002; B05B 1/18; B05B 9/01; G08C 23/04; G05D 1/0038; H04N 5/23203; H04N 7/142; H03G 9/02; H03G 3/001; H03G 1/02; H03G 3/04

See application file for complete search history.

(56) **References Cited**

U.S. PATENT DOCUMENTS

D463,401 S * 9/2002 Miyazaki D14/217
D487,498 S 3/2004 Blomstrom

OTHER PUBLICATIONS

<https://www.ebay.co.uk/itm/USB-Volume-Control-Knob-Computer-Audio-Volume-Controller-Adjuster-Supports-B9T6/353017908271?hash=item523181cc2f:g:4kAAAOSwKtVeeDeX> (Year: 2020).*

(Continued)

Primary Examiner — Cathron C Brooks

Assistant Examiner — Keith J Wilson

(74) *Attorney, Agent, or Firm* — Foley & Lardner LLP

(57) **CLAIM**

We claim the ornamental design for a shower controller, as shown and described.

DESCRIPTION

FIG. 1 is a top, front, right perspective view of the claimed design;

FIG. 2 is a front elevation view thereof;

FIG. 3 is a rear elevation view thereof;

FIG. 4 is a right side elevation view thereof;

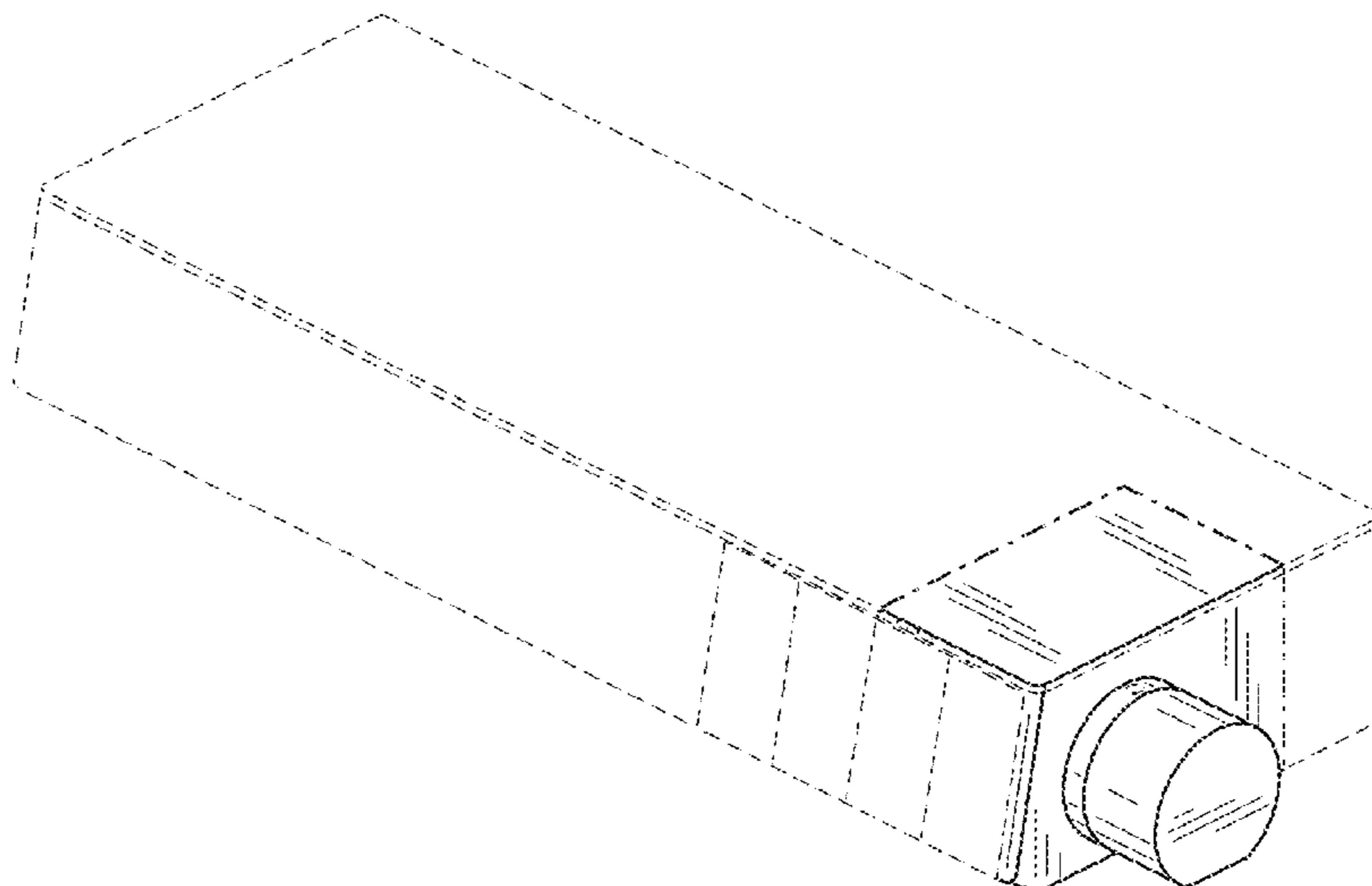
FIG. 5 is a left side elevation view thereof;

FIG. 6 is a top plan view thereof; and,

FIG. 7 is a bottom plan view thereof.

The ornamental design which is claimed is shown in solid lines in the drawings. The broken lines in the drawings are for illustrative purposes only and form no part of the claimed design. Broken lines formed by equal length dashes show unclaimed subject matter. Broken lines formed by unequal length dashes (i.e., dash-dot) define bounds of the claimed design.

1 Claim, 3 Drawing Sheets



(56)

References Cited

U.S. PATENT DOCUMENTS

D694,359 S 11/2013 Schoenherr
 D702,194 S * 4/2014 Cho D13/162
 D706,303 S * 6/2014 Woo D14/502
 D707,330 S 6/2014 Schoenherr et al.
 D713,004 S 9/2014 Schoenherr et al.
 D713,496 S 9/2014 Schoenherr et al.
 D718,418 S 11/2014 Georgeson et al.
 D730,493 S 5/2015 Sehl
 D733,258 S 6/2015 Sandee
 D737,931 S 9/2015 Schoenherr et al.
 D737,932 S 9/2015 Nikles
 D743,507 S 11/2015 Georgeson
 D746,794 S * 1/2016 Conrad D14/218
 D746,955 S 1/2016 Corder
 D752,711 S 3/2016 Georgeson
 9,387,495 B2 7/2016 Schumacher et al.
 D778,404 S 2/2017 Schoenherr et al.
 D779,038 S 2/2017 Hanna et al.
 D779,039 S 2/2017 Hanna et al.
 D801,475 S 10/2017 Naslund et al.
 D803,350 S 11/2017 Tian
 D803,988 S 11/2017 Niu et al.
 D807,412 S * 1/2018 Lee D15/89
 D808,499 S 1/2018 Naslund et al.
 D809,094 S 1/2018 Naslund et al.
 D810,233 S * 2/2018 Winter D23/213

D810,861 S 2/2018 Weaver et al.
 D811,524 S 2/2018 Bossini
 D819,593 S * 6/2018 Lee D14/197
 D820,388 S 6/2018 Seum et al.
 D820,949 S 6/2018 Reinecker et al.
 D821,542 S 6/2018 Reinecker et al.
 D824,485 S 7/2018 Montoya et al.
 D833,575 S 11/2018 Soulier et al.
 D839,384 S 1/2019 Svendsen et al.
 D840,503 S 2/2019 Stein
 D841,121 S 2/2019 Kiefer et al.
 D841,125 S 2/2019 Lai et al.
 D842,429 S 3/2019 Huang
 D842,430 S 3/2019 Huang
 D842,431 S 3/2019 Cacka et al.
 D842,967 S 3/2019 Farley

OTHER PUBLICATIONS

<https://www.ebay.co.uk/itm/USB-Volume-Control-Knob-Computer-Audio-Volume-Controller-Adjuster-Supports-B9T6/353017908271?hash=item523181cc2f:g:4kAAAOSwKtVeeDeX> (Year: 2019).*
<https://www.amazon.com/7-31-Lodigital-Shower-Controller-Finish/dp/B002C60UM8?th=1> (Year: 2009).*
 Amazon Moen TS3302TB U Shower Smart Home Connected Bathroom Controller, 2 Outlet Digital Wall Mounted 1 page.

* cited by examiner

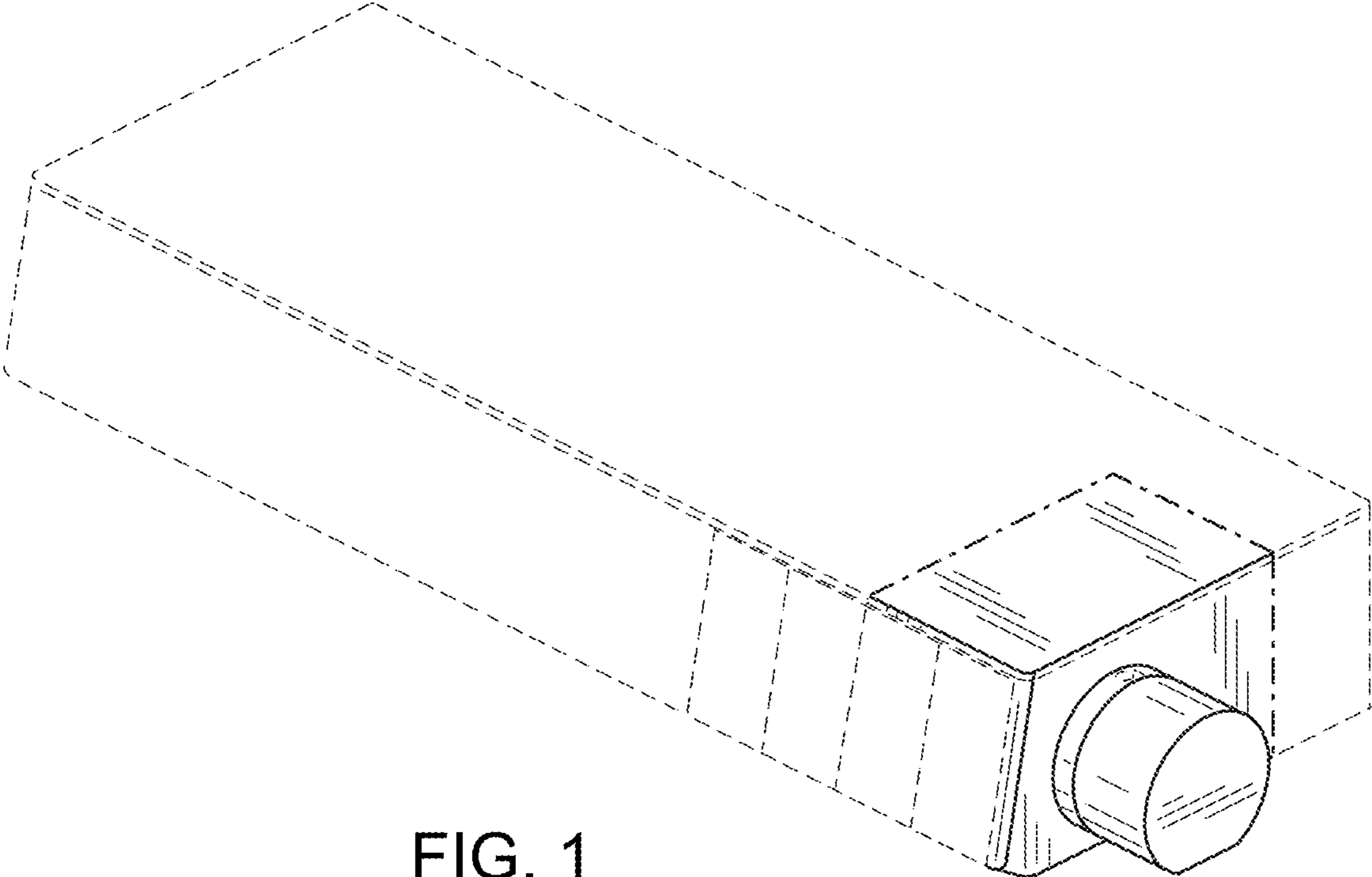


FIG. 1

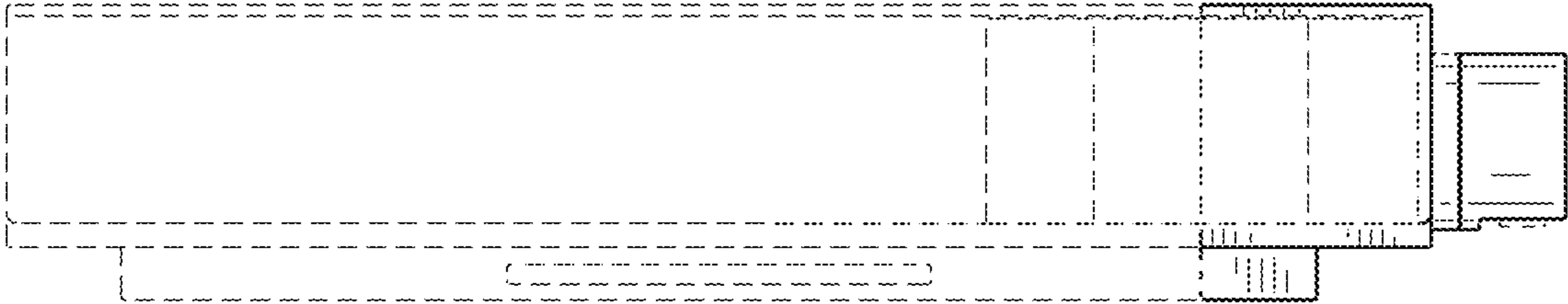


FIG. 2

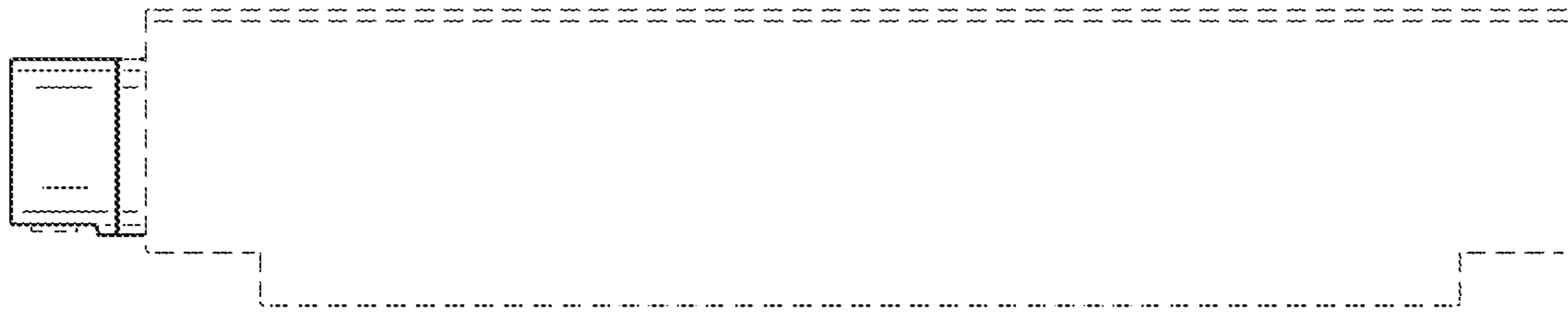


FIG. 3

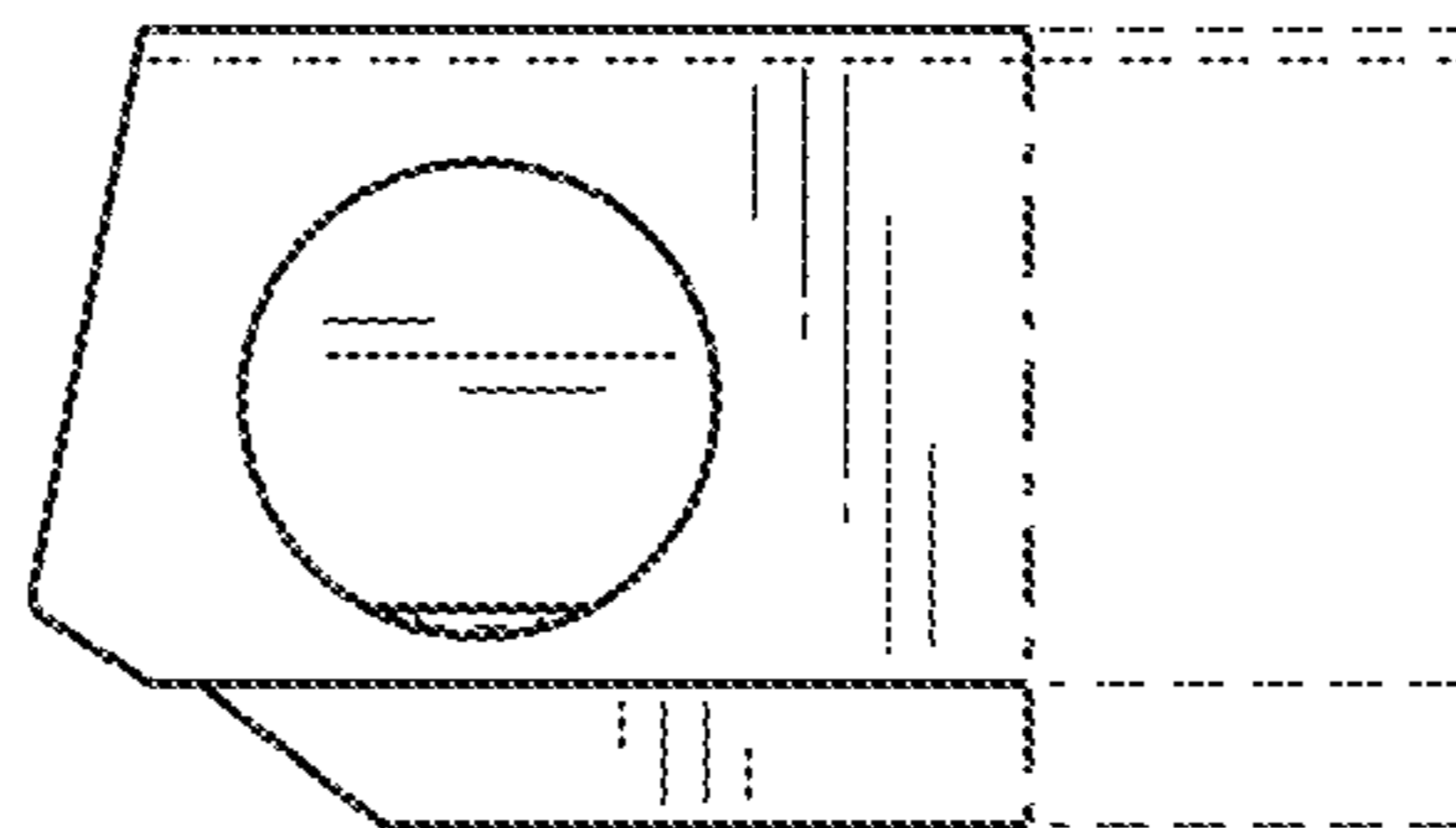


FIG. 4

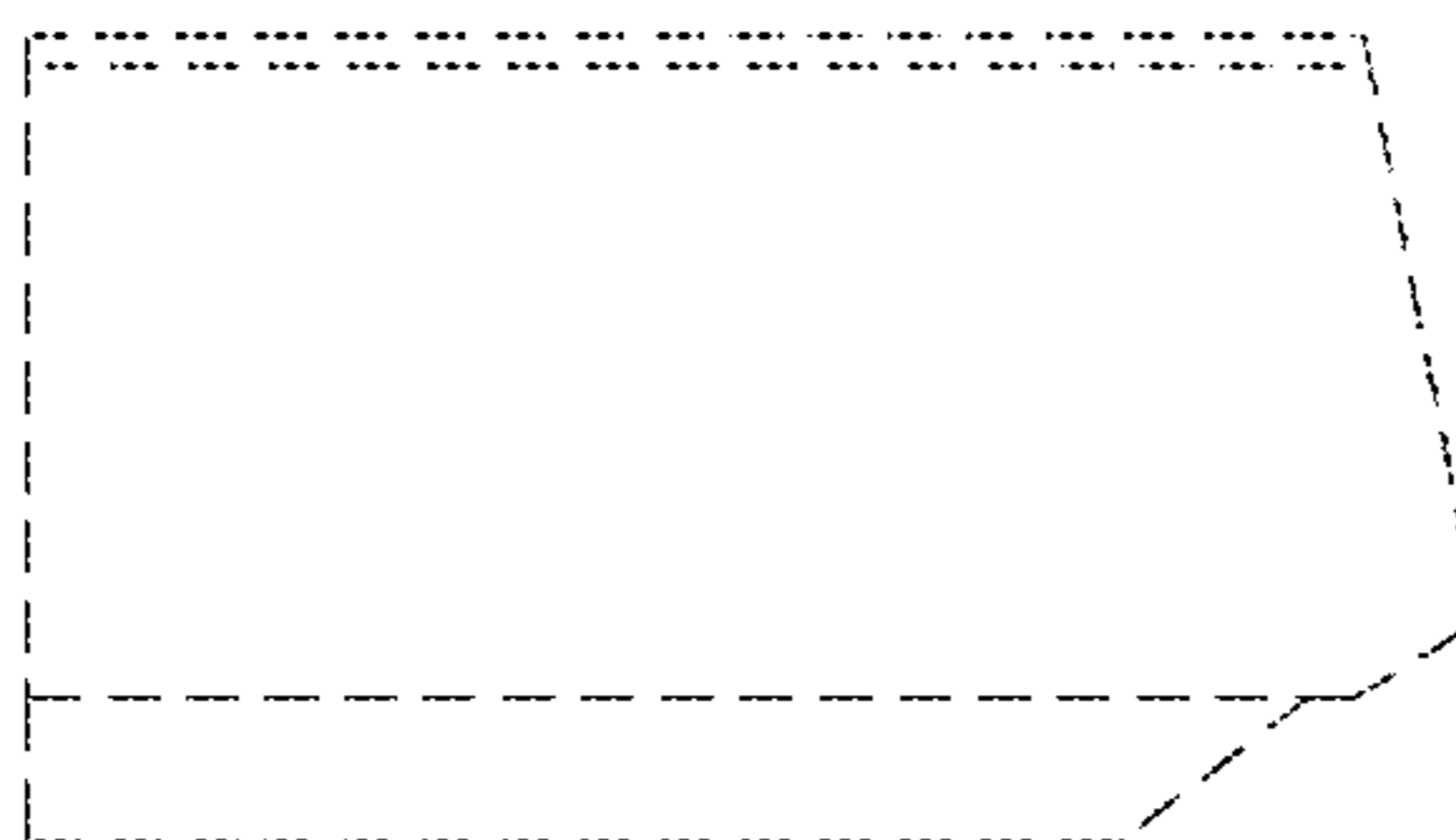


FIG. 5

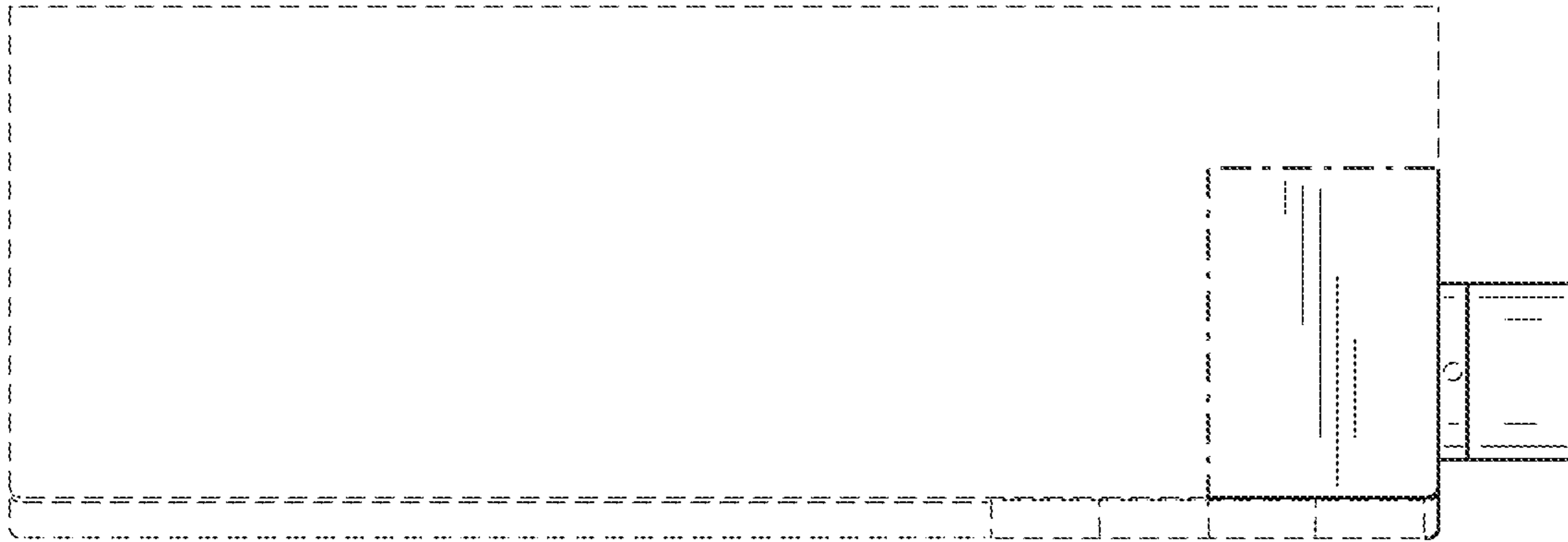


FIG. 6



FIG. 7