



US00D903051S

(12) **United States Design Patent**
Bygbjerg et al.

(10) **Patent No.:** **US D903,051 S**

(45) **Date of Patent:** **** Nov. 24, 2020**

(54) **SPRAY GUN**

(71) Applicant: **Danfoss Semco A/S**, Odense (DK)

(72) Inventors: **Henrik Bygbjerg**, Kirke Hyllinge (DK); **Lars Wrang Jensen**, Rude (DK); **Carsten Windt**, Odense (DK); **Søren Vesterager Funder Schmidt**, Odense (DK)

(73) Assignee: **DANFOSS SEMCO A/S**, Odense (DK)

(**) Term: **15 Years**

(21) Appl. No.: **29/671,147**

(22) Filed: **Nov. 23, 2018**

(30) **Foreign Application Priority Data**

May 22, 2018 (EM) 005276664

(51) **LOC (12) Cl.** **23-01**

(52) **U.S. Cl.**
USPC **D23/226**

(58) **Field of Classification Search**
USPC D23/213, 214, 215, 223, 224, 226, 229,
D23/230

CPC A61H 9/0021; A61H 33/00; B05B 1/00;
B05B 1/14; B05B 1/185; B05B 1/08;
B05B 1/02; B05B 1/26; B05B 12/002;
B05B 1/18; B05B 9/01; F16L 37/46;
F16L 37/00; F17C 13/12; F17C
2205/0376

See application file for complete search history.

(56) **References Cited**

U.S. PATENT DOCUMENTS

D263,618 S * 3/1982 Taylor D23/226
D317,969 S * 7/1991 Lambert D23/226
D342,742 S * 12/1993 Daul D23/226
D350,386 S * 9/1994 Dotson D23/223
D355,704 S * 2/1995 Simpson D23/223

D359,100 S * 6/1995 Dotson D23/223
D516,673 S * 3/2006 Chisholm D23/226
D518,556 S * 4/2006 Amaduzzi D23/226
7,134,580 B2 * 11/2006 Garrison B67D 7/48
222/566
7,234,614 B1 * 6/2007 Knight B67D 7/42
137/312
D648,417 S * 11/2011 Varini D23/226
D650,047 S * 12/2011 Varini D23/226
D656,221 S * 3/2012 Gevers D23/226
D684,664 S * 6/2013 Gevers D23/226
D734,427 S * 7/2015 Bygbjerg D23/213
D782,001 S * 3/2017 Birch D23/211.2
D803,984 S * 11/2017 Tschopp D23/226
9,821,179 B2 * 11/2017 Kristensen B05B 1/14

(Continued)

OTHER PUBLICATIONS

<https://www.aliexpress.com/i/32914625256.html> (Year: 2019).*

Primary Examiner — Manpreet S Matharu

Assistant Examiner — Keith J Wilson

(74) *Attorney, Agent, or Firm* — McCormick, Paulding & Huber PLLC

(57) **CLAIM**

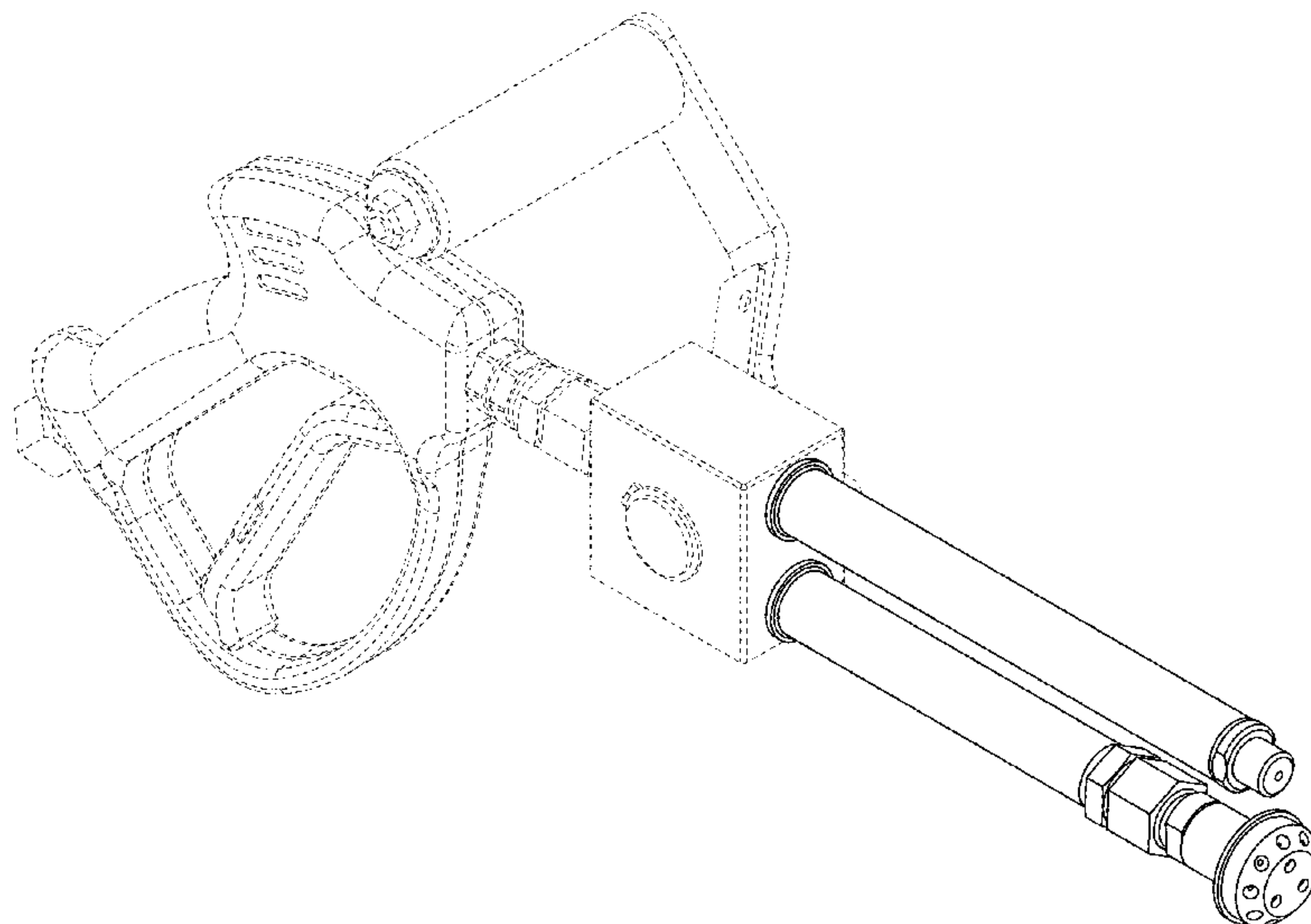
The ornamental design for a spray gun, as shown and described.

DESCRIPTION

FIG. 1 is a front, left side and top perspective view of a spray gun comprising a new, original and ornamental design;
FIG. 2 is a left side view thereof;
FIG. 3 is a right side view thereof;
FIG. 4 is a front view thereof;
FIG. 5 is a rear view thereof;
FIG. 6 is a top view thereof; and,
FIG. 7 is a bottom view thereof.

The broken lines shown represent portions of the spray gun and form no part of the claimed design.

1 Claim, 7 Drawing Sheets



(56)

References Cited

U.S. PATENT DOCUMENTS

D829,862 S *	10/2018	Lee	D23/223
D831,158 S *	10/2018	Weh	D23/226
D850,582 S *	6/2019	Weinberg	D23/226
D852,324 S *	6/2019	Willfort	D23/226
D861,264 S *	9/2019	Gu	D32/17
2012/0018534 A1 *	1/2012	Gilpatrick	B05B 7/0876 239/310
2018/0304292 A1 *	10/2018	Alexander	B05B 12/002

* cited by examiner

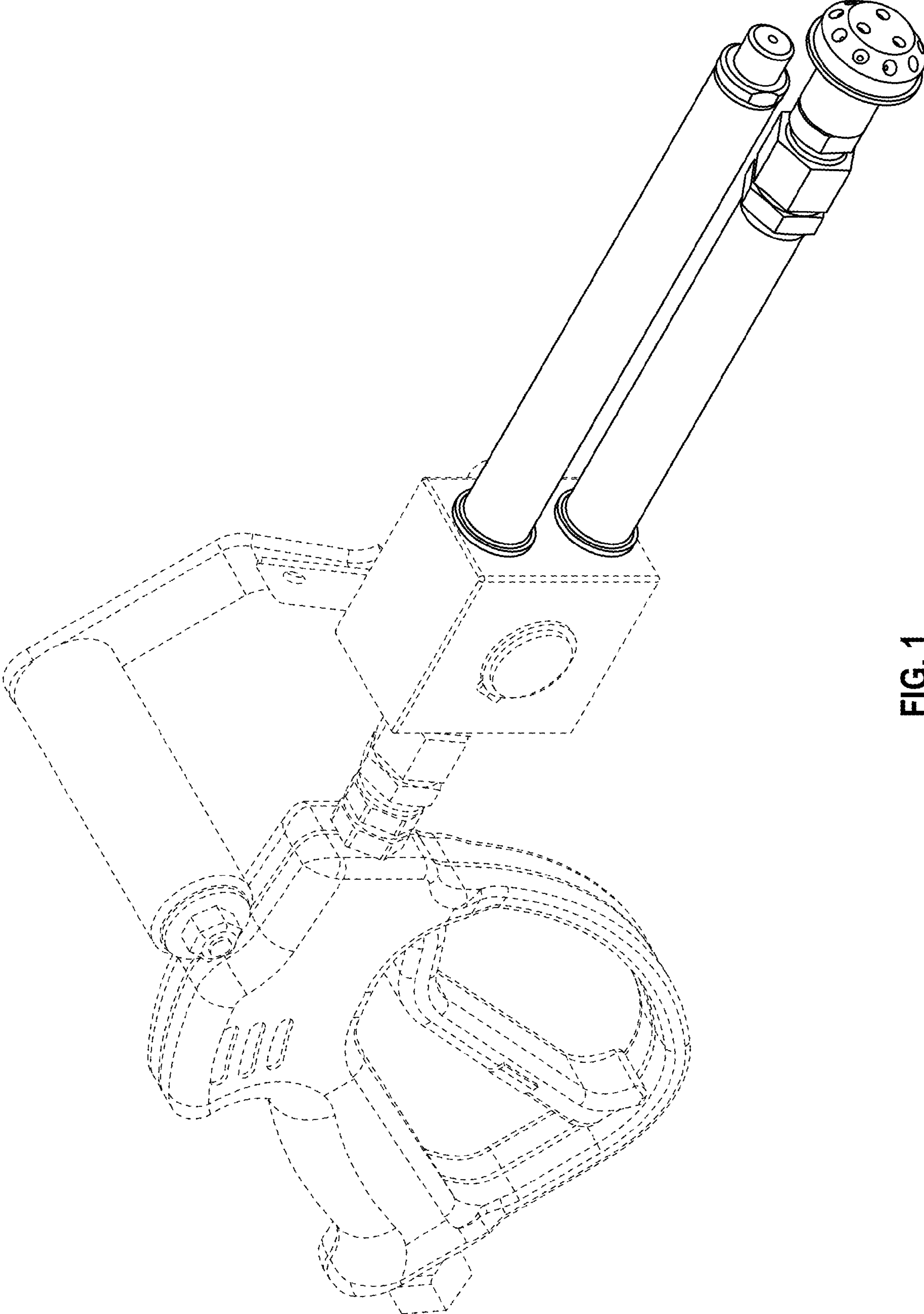


FIG. 1

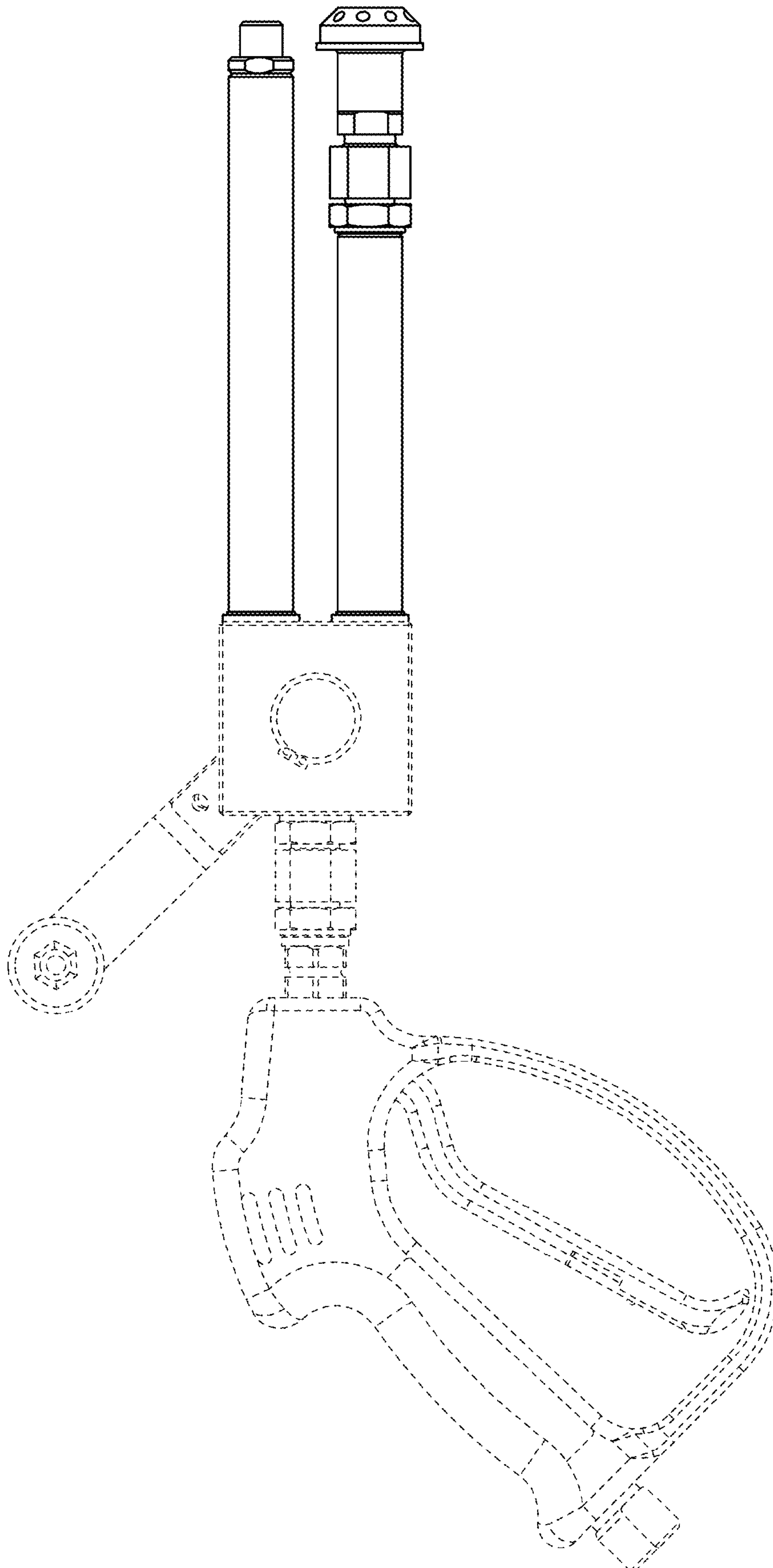


FIG. 2

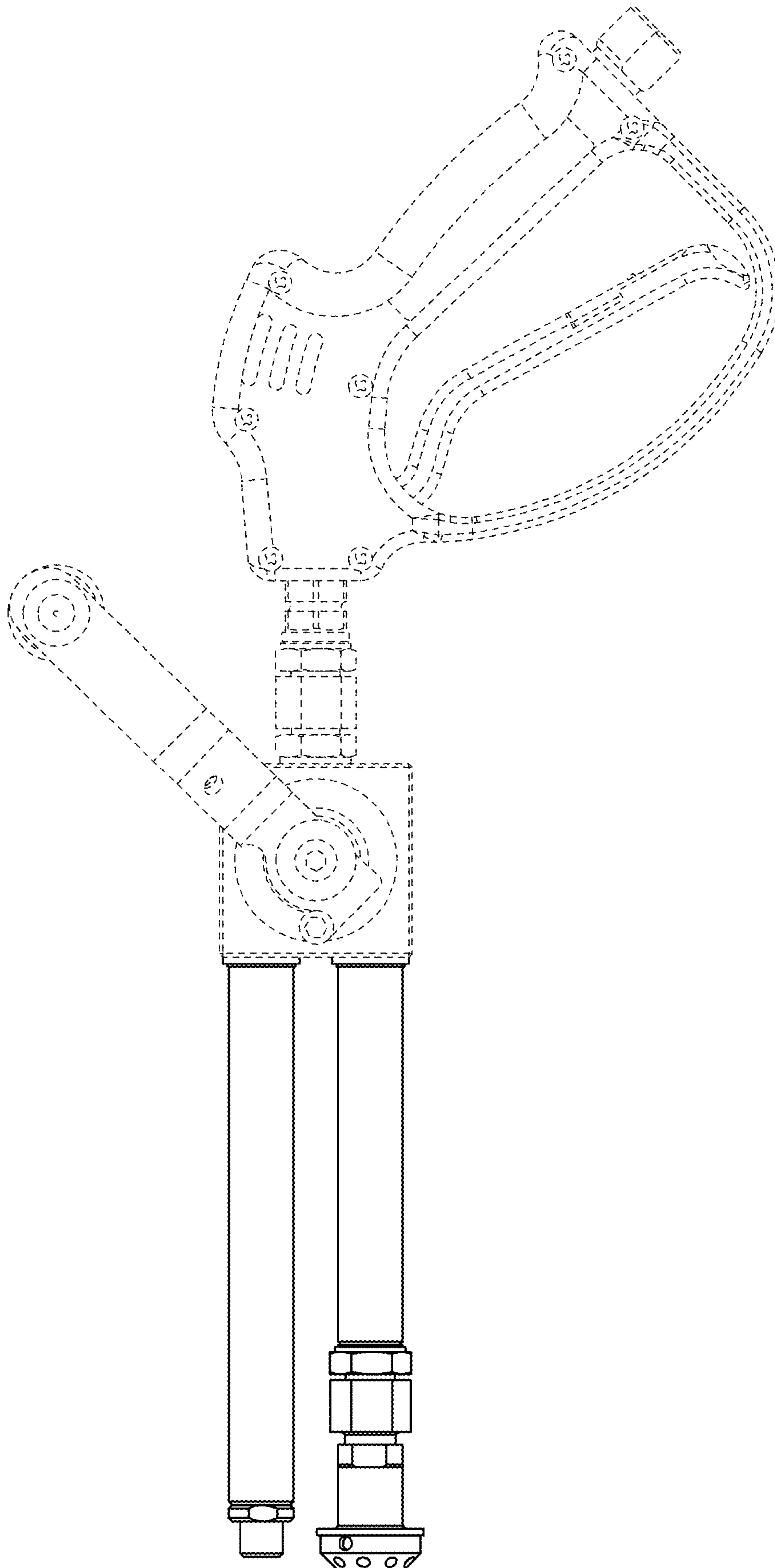


FIG. 3

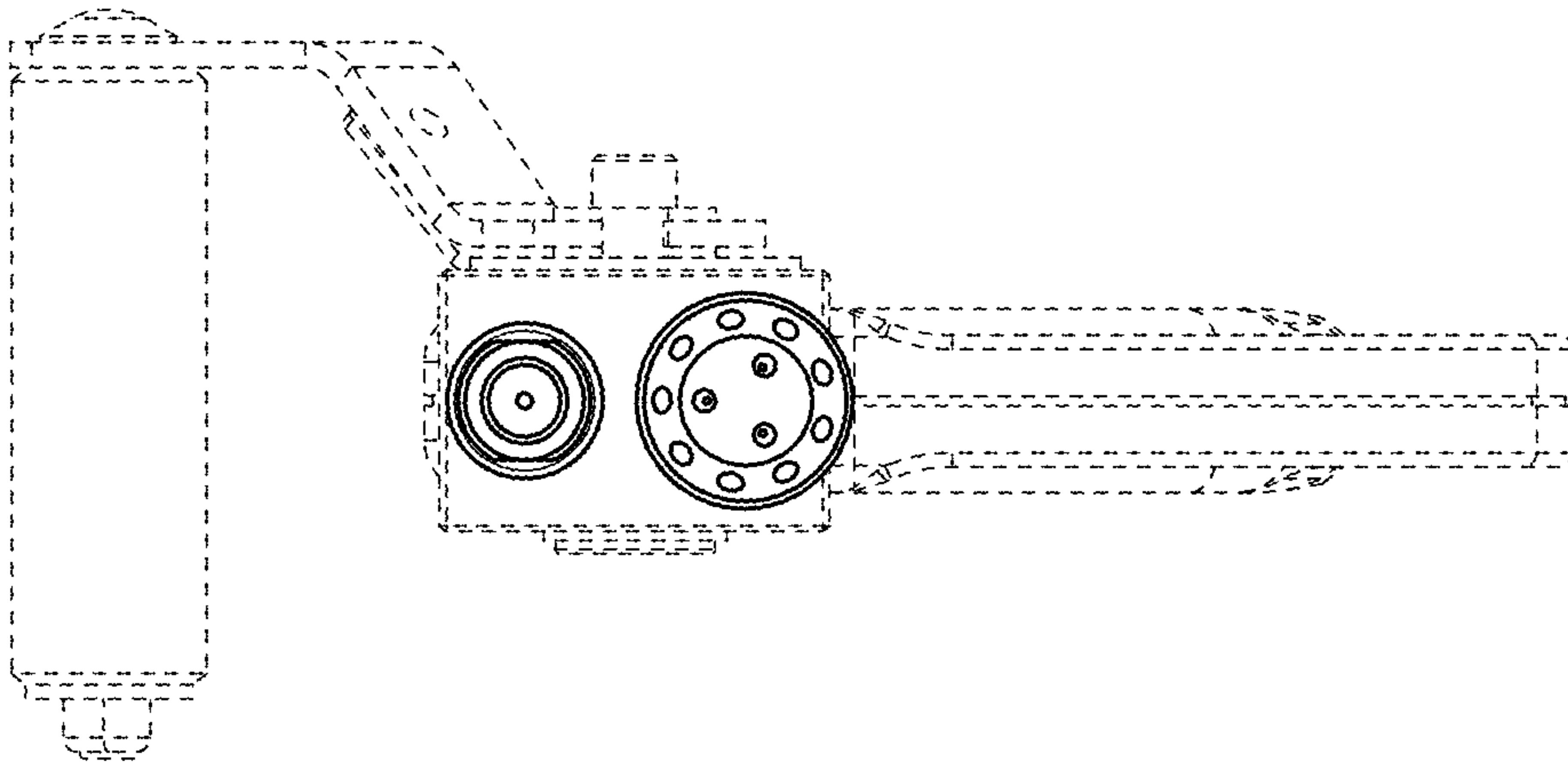


FIG. 4

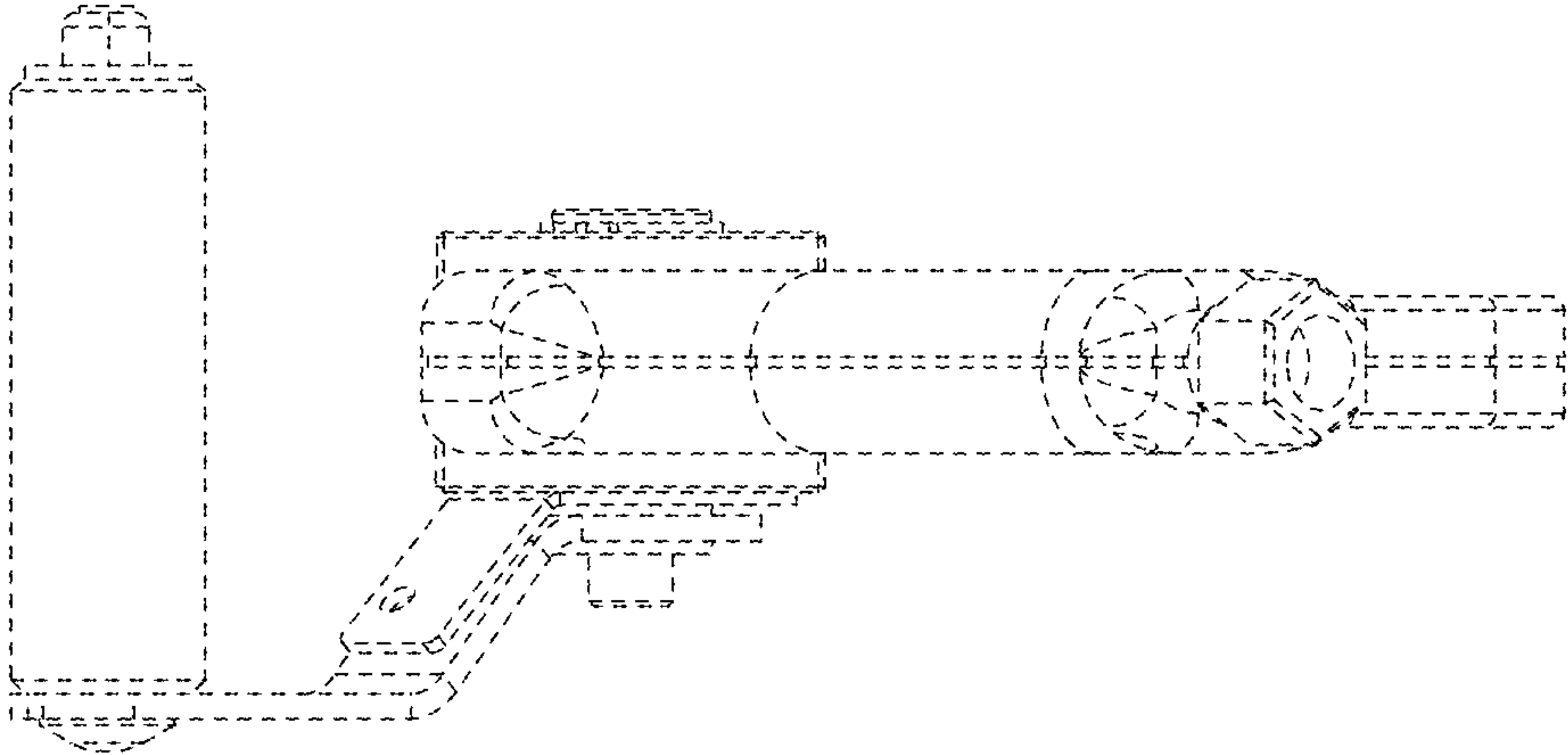


FIG. 5

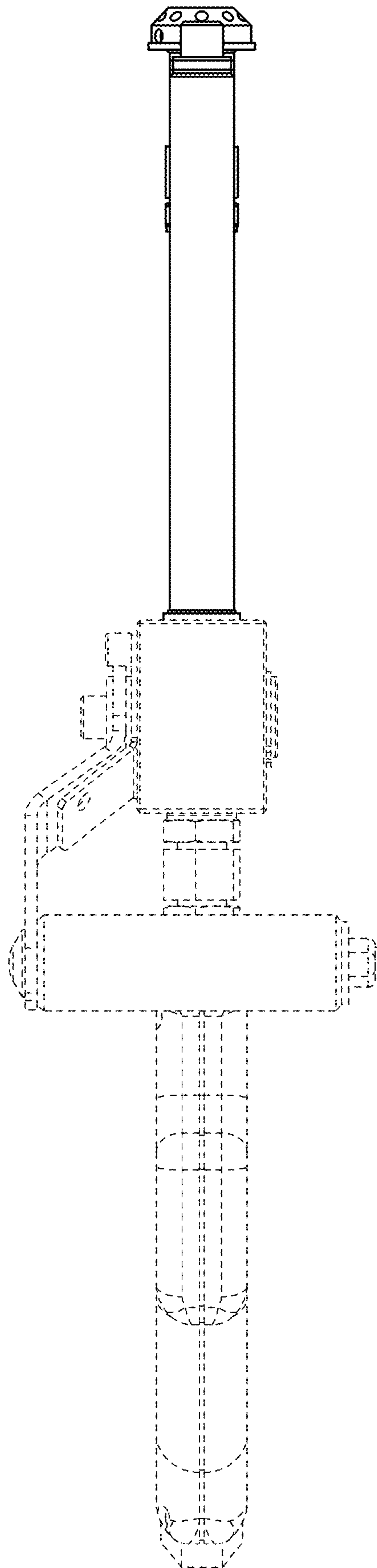


FIG. 6

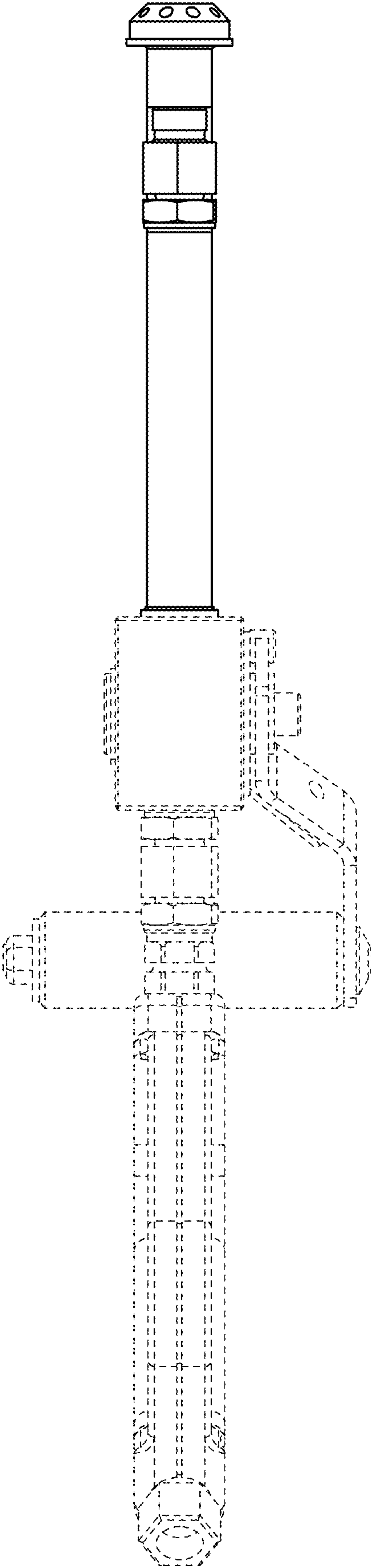


FIG. 7