



US00D903050S

(12) **United States Design Patent** (10) **Patent No.:** **US D903,050 S**
Ando et al. (45) **Date of Patent:** **** Nov. 24, 2020**

(54) **COMBINATION FAUCET AND SHOWER HEAD**

(71) Applicant: **LIXIL Corporation**, Tokyo (JP)

(72) Inventors: **Yoshihiko Ando**, Tokyo (JP); **Yuichiro Komatsu**, Tokyo (JP); **Youichirou Tomioka**, Tokyo (JP); **Touichirou Matsuura**, Tokyo (JP)

(73) Assignee: **LIXIL Corporation**, Tokyo (JP)

(**) Term: **15 Years**

(21) Appl. No.: **29/699,722**

(22) Filed: **Jul. 29, 2019**

(30) **Foreign Application Priority Data**

Jan. 31, 2019 (JP) 2019-001788

(51) **LOC (12) Cl.** **23-01**

(52) **U.S. Cl.**
USPC **D23/213**

(58) **Field of Classification Search**
USPC D23/207, 213, 214, 215, 223, 224, 226, 223/229, 230
CPC A61H 9/0021; A61H 33/00; B05B 1/00; B05B 1/14; B05B 1/185; B05B 1/08; B05B 1/02; B05B 1/26; B05B 12/002; B05B 1/18; B05B 9/01
See application file for complete search history.

(56) **References Cited**

U.S. PATENT DOCUMENTS

D487,498 S * 3/2004 Blomstrom D23/213
D496,987 S * 10/2004 Glunk D23/213
D508,730 S * 8/2005 Blomstrom D23/229
D524,412 S * 7/2006 Blomstrom D23/229
D540,427 S * 4/2007 Bouroullec D23/213
D680,619 S * 4/2013 Zhadanov D23/223
D681,776 S * 5/2013 Cutler D23/223

D694,357 S * 11/2013 Brodey D23/213
D694,359 S * 11/2013 Schoenherr D23/213
D707,330 S * 6/2014 Schoenherr D23/223
D713,004 S * 9/2014 Schoenherr D23/223
D713,496 S * 9/2014 Schoenherr D23/213
D718,418 S * 11/2014 Georgeson D23/213
D730,493 S * 5/2015 Sehl D23/261
D733,258 S * 6/2015 Sandee D23/223
D736,347 S * 8/2015 Tan D23/213
D737,931 S * 9/2015 Schoenherr D23/223
D737,932 S * 9/2015 Nikles D23/223
D743,507 S * 11/2015 Georgeson D23/252
D746,955 S * 1/2016 Corder D23/261

(Continued)

OTHER PUBLICATIONS

https://creativehomex.com/ikhighlight_19/ (Year: 2020).*

Primary Examiner — Manpreet S Matharu

Assistant Examiner — Keith J Wilson

(74) *Attorney, Agent, or Firm* — Sughrue Mion, PLLC

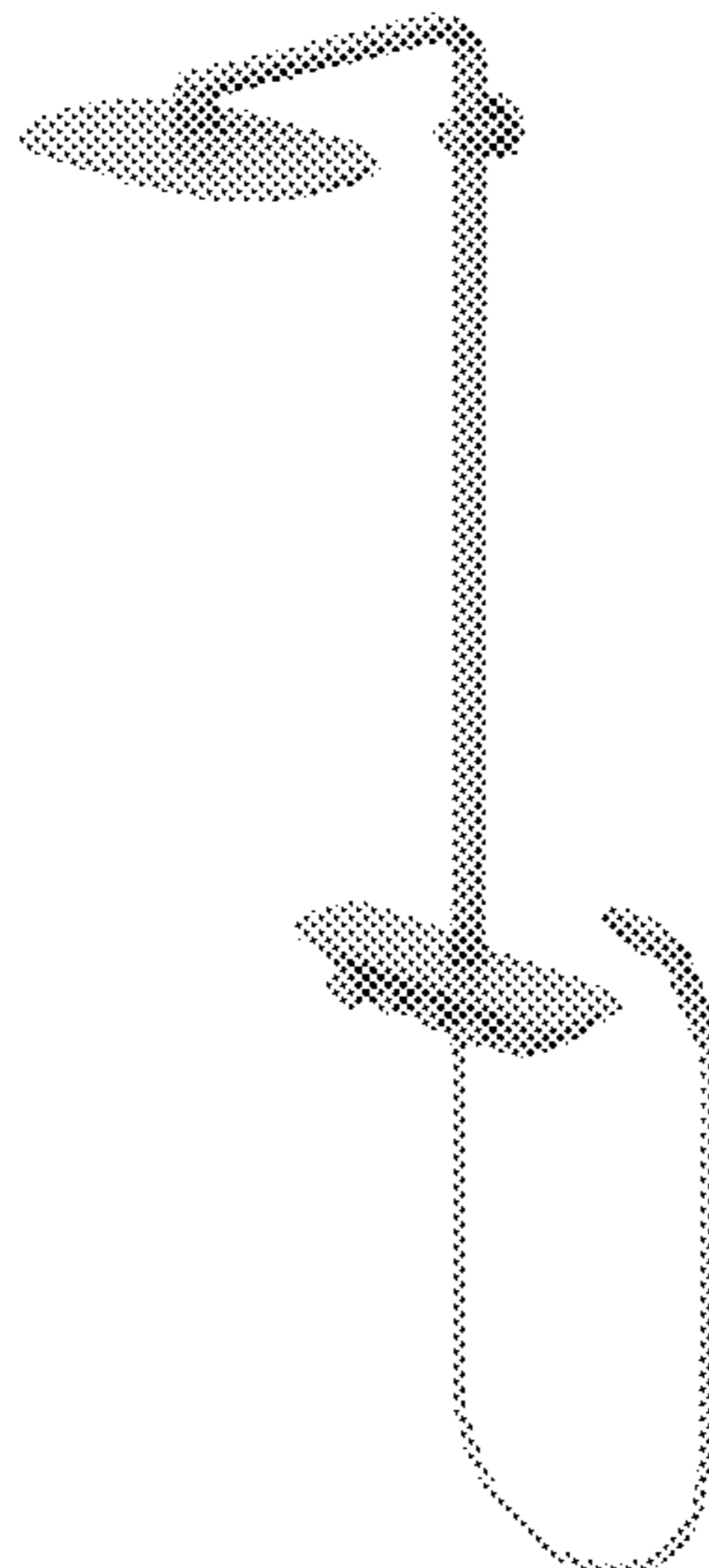
(57) **CLAIM**

The ornamental design for a combination faucet and shower head, as shown and described.

DESCRIPTION

FIG. 1 is a perspective view of a combination faucet and shower head.
FIG. 2 is a top plan view thereof.
FIG. 3 is a bottom plan view thereof.
FIG. 4 is a front elevation view thereof.
FIG. 5 is a rear elevation view thereof.
FIG. 6 is a right side elevation view thereof.
FIG. 7 is a left side elevation view thereof.
FIG. 8 is an enlarged view of a part 8-8 shown in FIG. 4.
FIG. 9 is an enlarged view of a part 9-9 shown in FIG. 6;
and,
FIG. 10 is an enlarged view of a part 10-10 shown in FIG. 3.

1 Claim, 10 Drawing Sheets



(56)

References Cited

U.S. PATENT DOCUMENTS

D751,174	S	*	3/2016	Schoenherr	D23/213
D752,711	S	*	3/2016	Georgeson	D23/213
D757,895	S	*	5/2016	Schoenherr	D23/213
D758,532	S	*	6/2016	Schoenherr	D23/213
9,387,495	B2	*	7/2016	Schumacher	B05B 1/30
D778,404	S	*	2/2017	Schoenherr	D23/223
D779,038	S	*	2/2017	Hanna	D23/223
D779,039	S	*	2/2017	Hanna	D23/223
D791,277	S	*	7/2017	Eads	D23/213
D801,475	S	*	10/2017	Naslund	D23/213
D803,350	S	*	11/2017	Tian	D23/213
D808,499	S	*	1/2018	Naslund	D23/213
D809,094	S	*	1/2018	Naslund	D23/213
D810,233	S	*	2/2018	Winter	D23/213
D810,861	S	*	2/2018	Weaver	D23/213
D811,524	S	*	2/2018	Bossini	D23/223
D813,348	S	*	3/2018	Bossini	D23/213
D820,388	S	*	6/2018	Seum	D23/213
D820,949	S	*	6/2018	Reinecker	D23/213
D821,542	S	*	6/2018	Reinecker	D23/213
D824,485	S	*	7/2018	Montoya	D23/213
D828,491	S	*	9/2018	Schoenherr	D23/213
D833,575	S	*	11/2018	Soulier	D23/223
D839,384	S	*	1/2019	Svendsen	D23/213
D840,503	S	*	2/2019	Stein	D23/213
D841,121	S	*	2/2019	Kiefer	D23/213
D841,125	S	*	2/2019	Lai	D23/223
D842,429	S	*	3/2019	Huang	D23/213
D842,430	S	*	3/2019	Huang	D23/213
D842,431	S	*	3/2019	Cacka	D23/213
D842,967	S	*	3/2019	Farley	D23/213

* cited by examiner

FIG. 1



FIG. 2

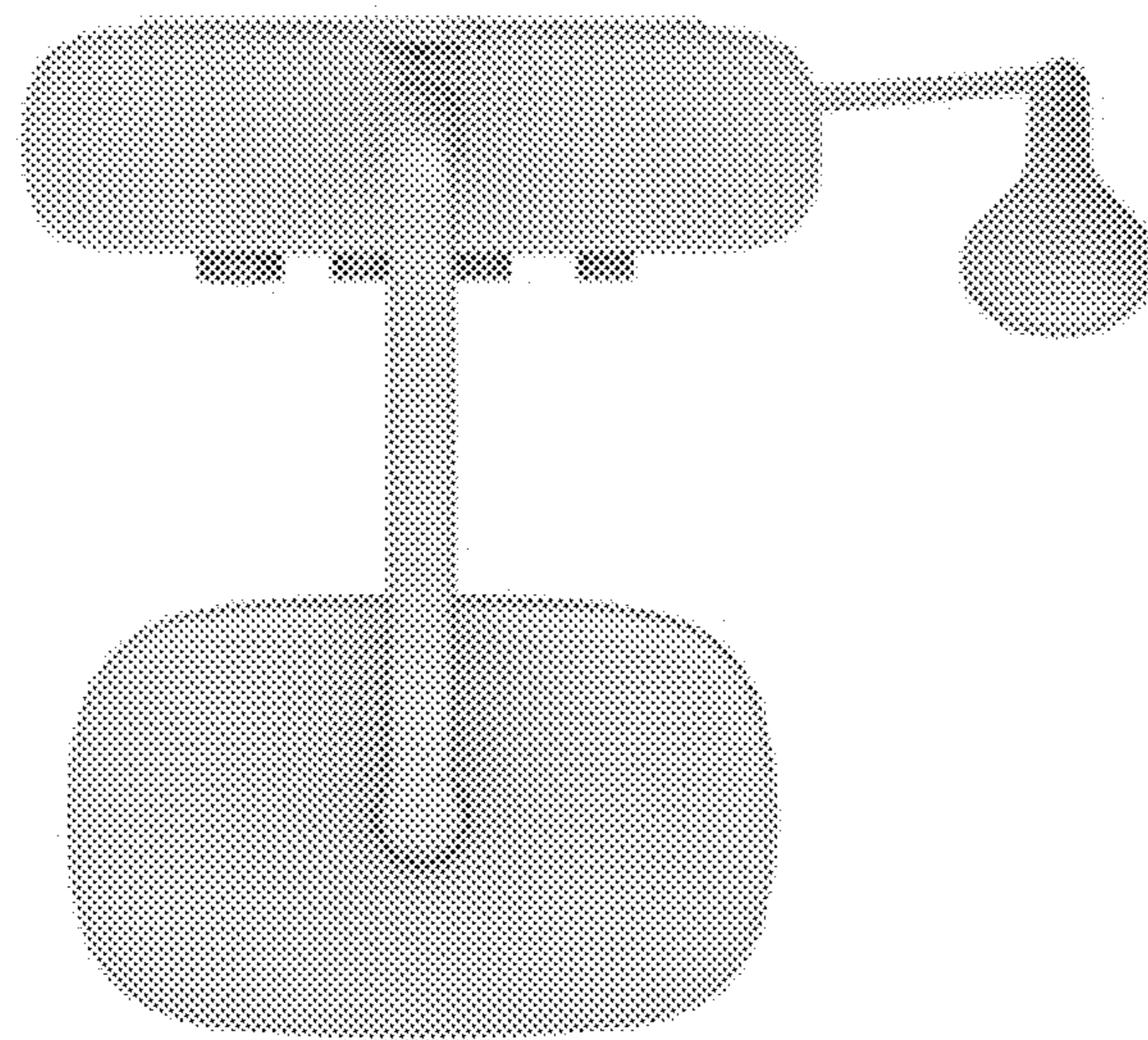


FIG. 3

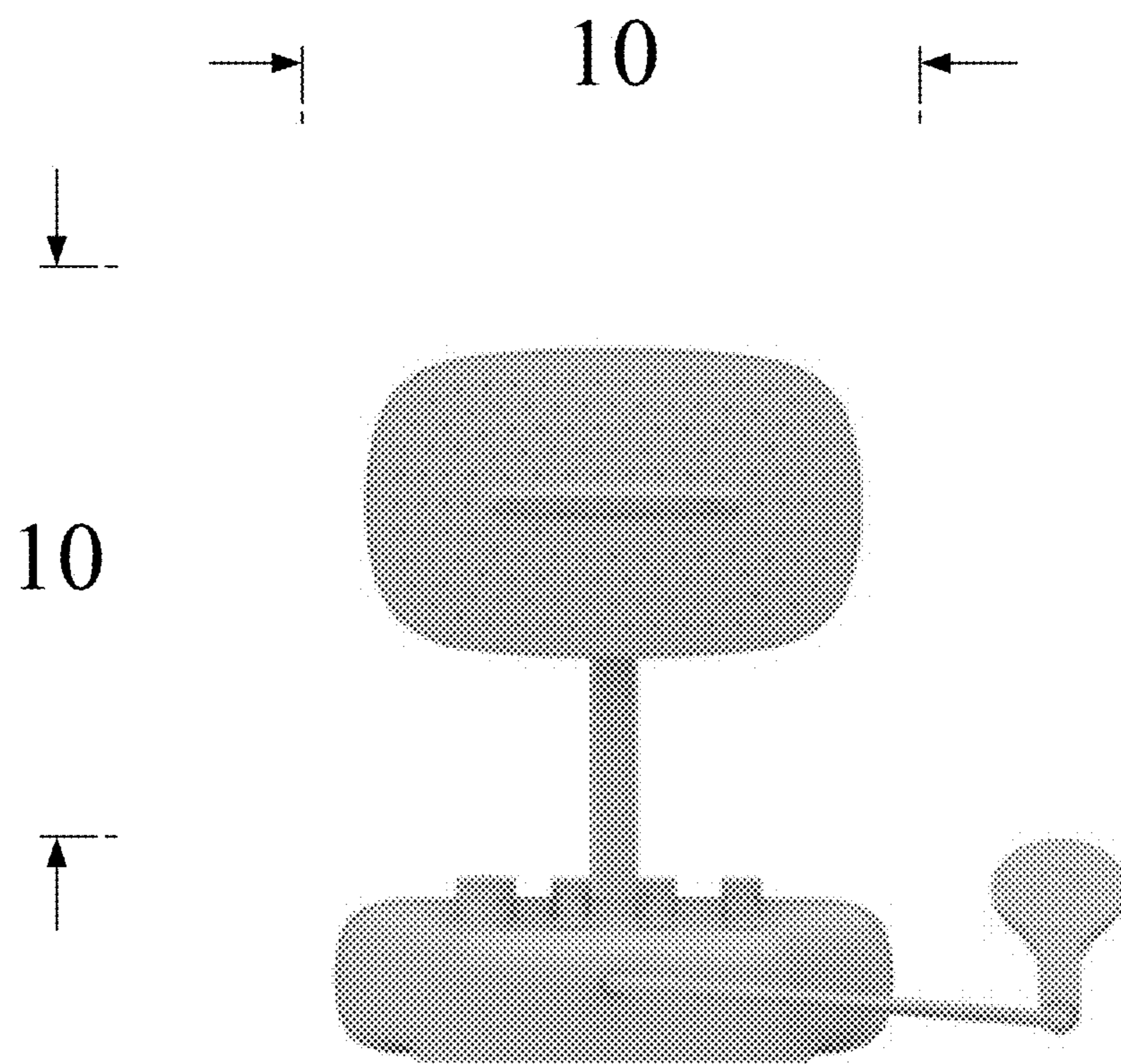


FIG. 4

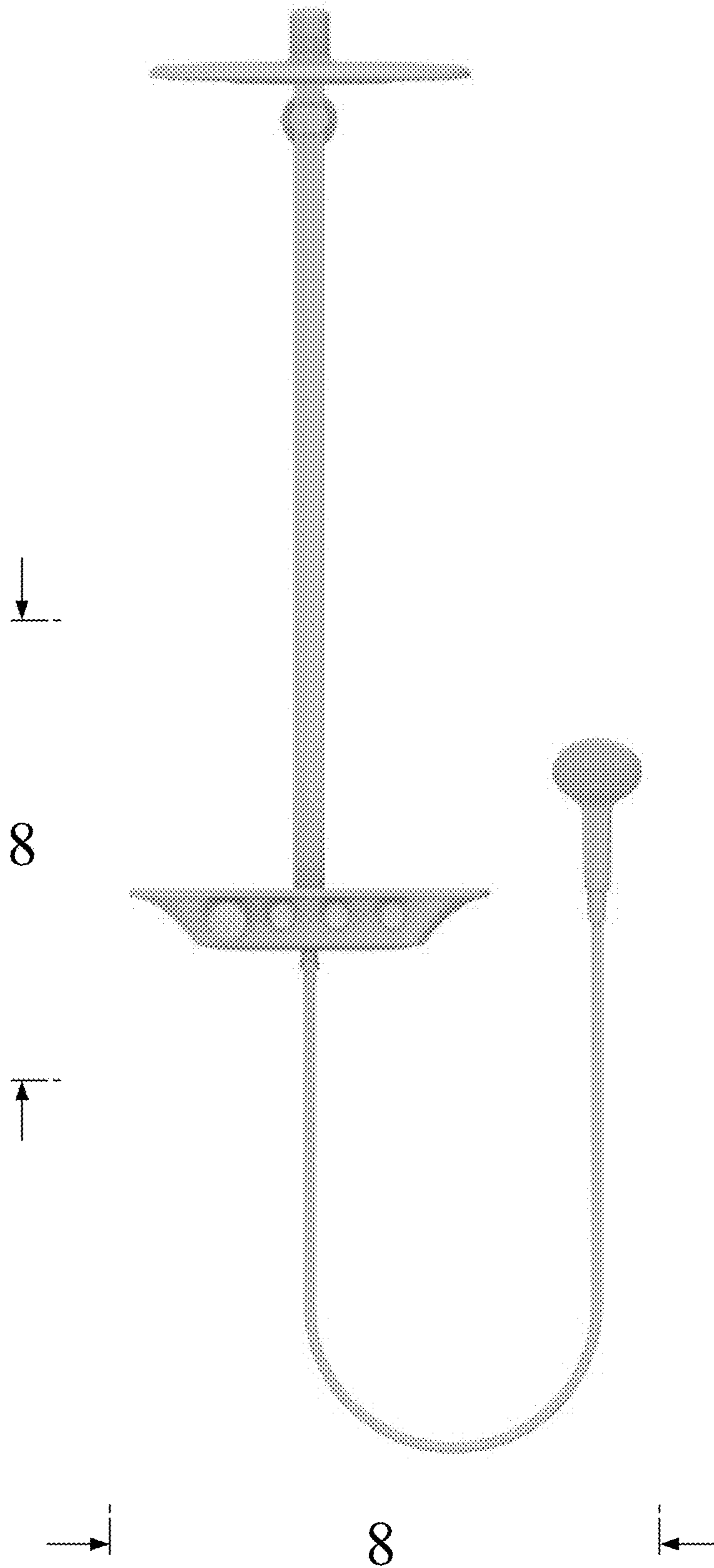


FIG. 5

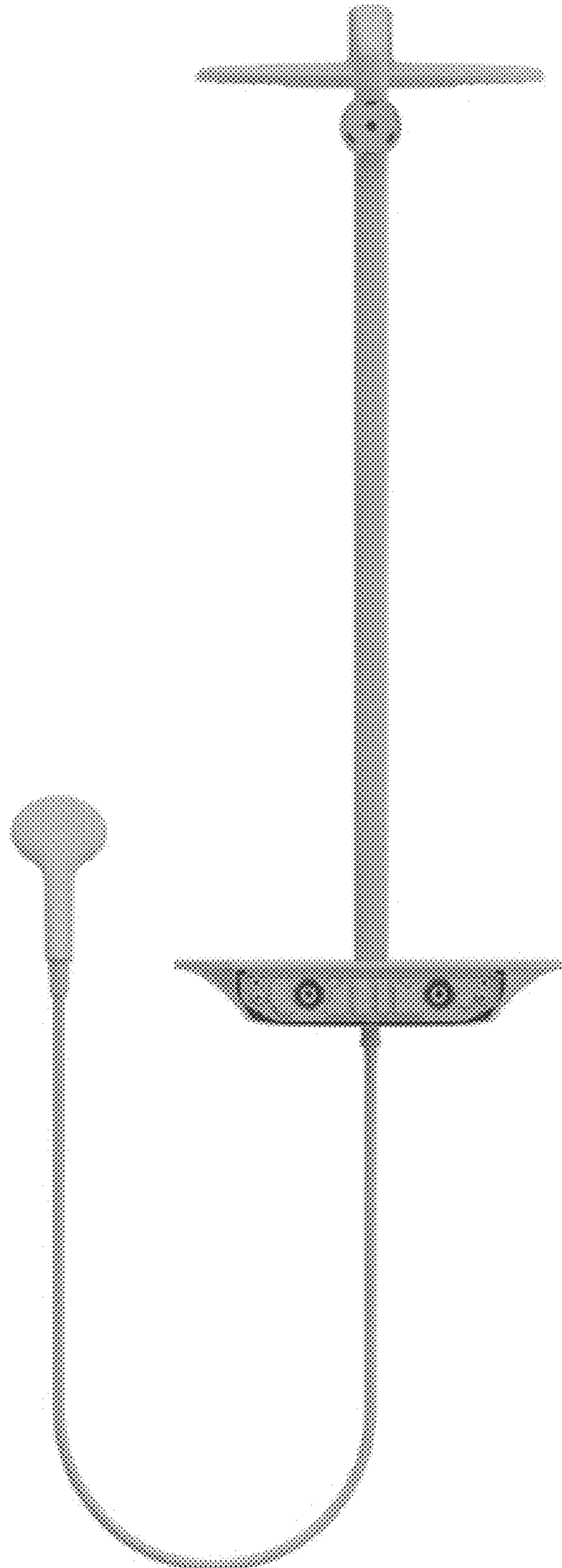


FIG. 6

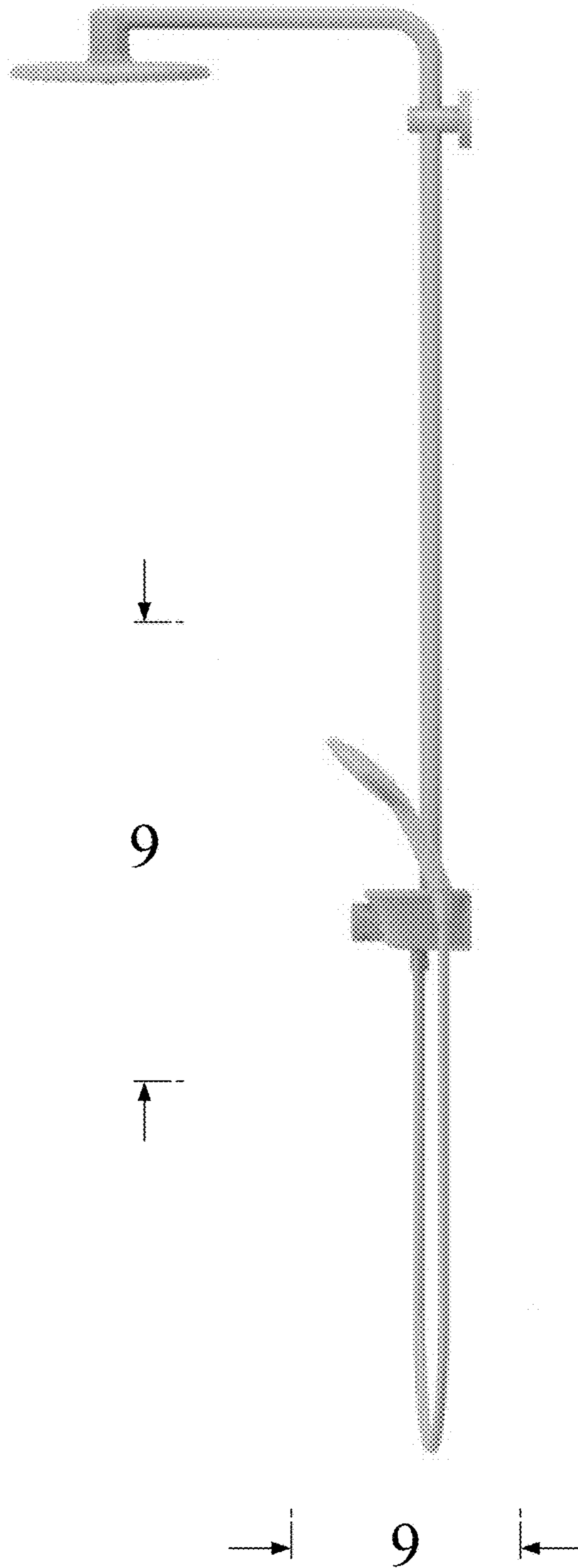


FIG. 7

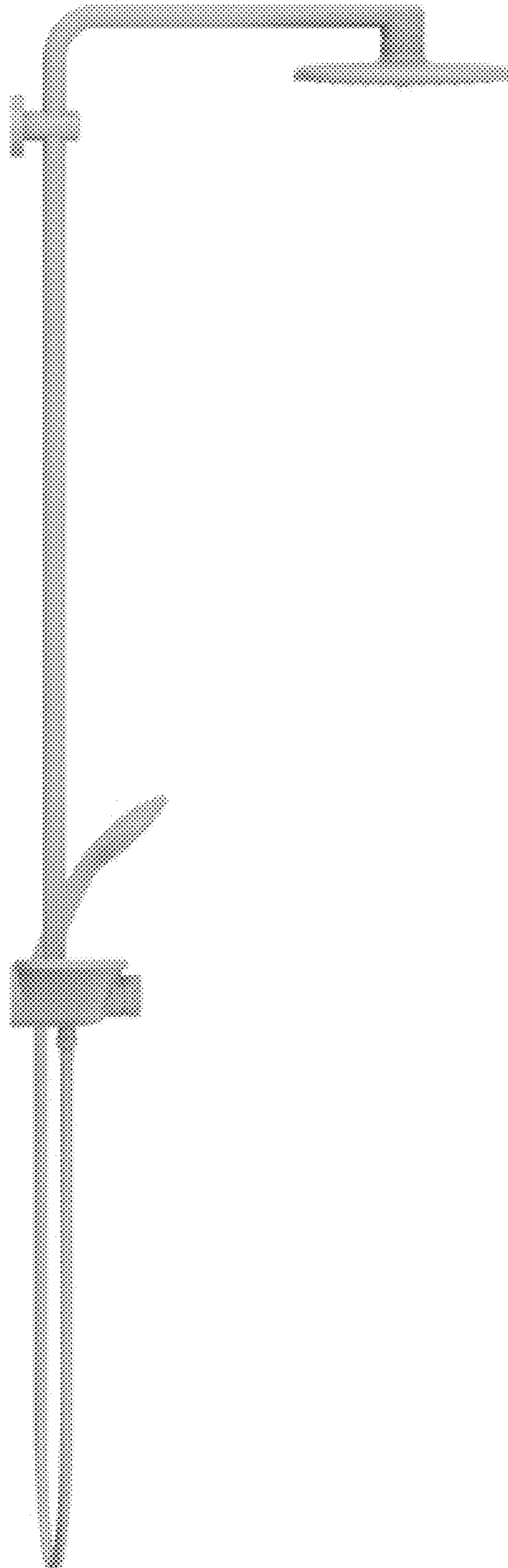


FIG. 8

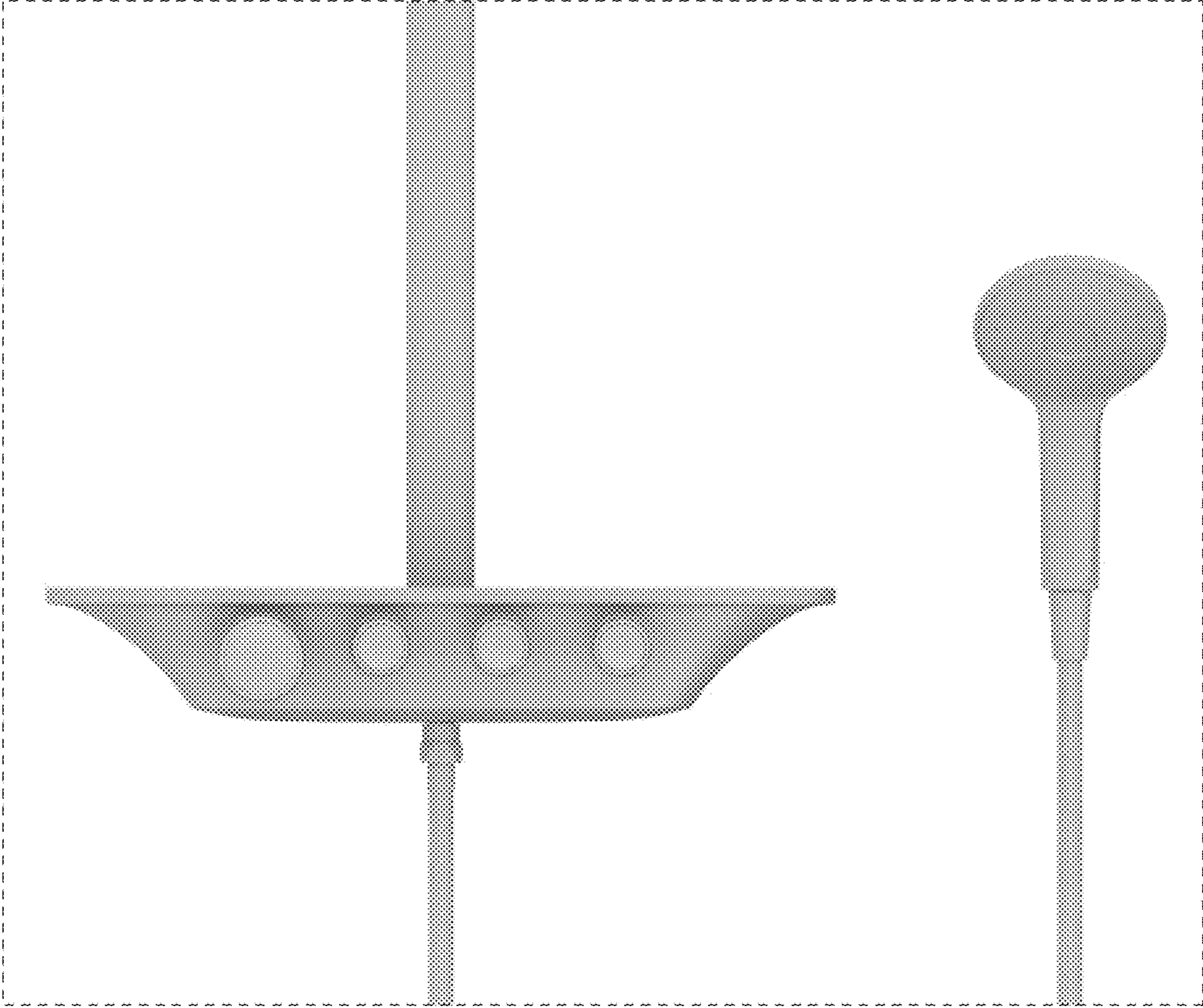


FIG. 9

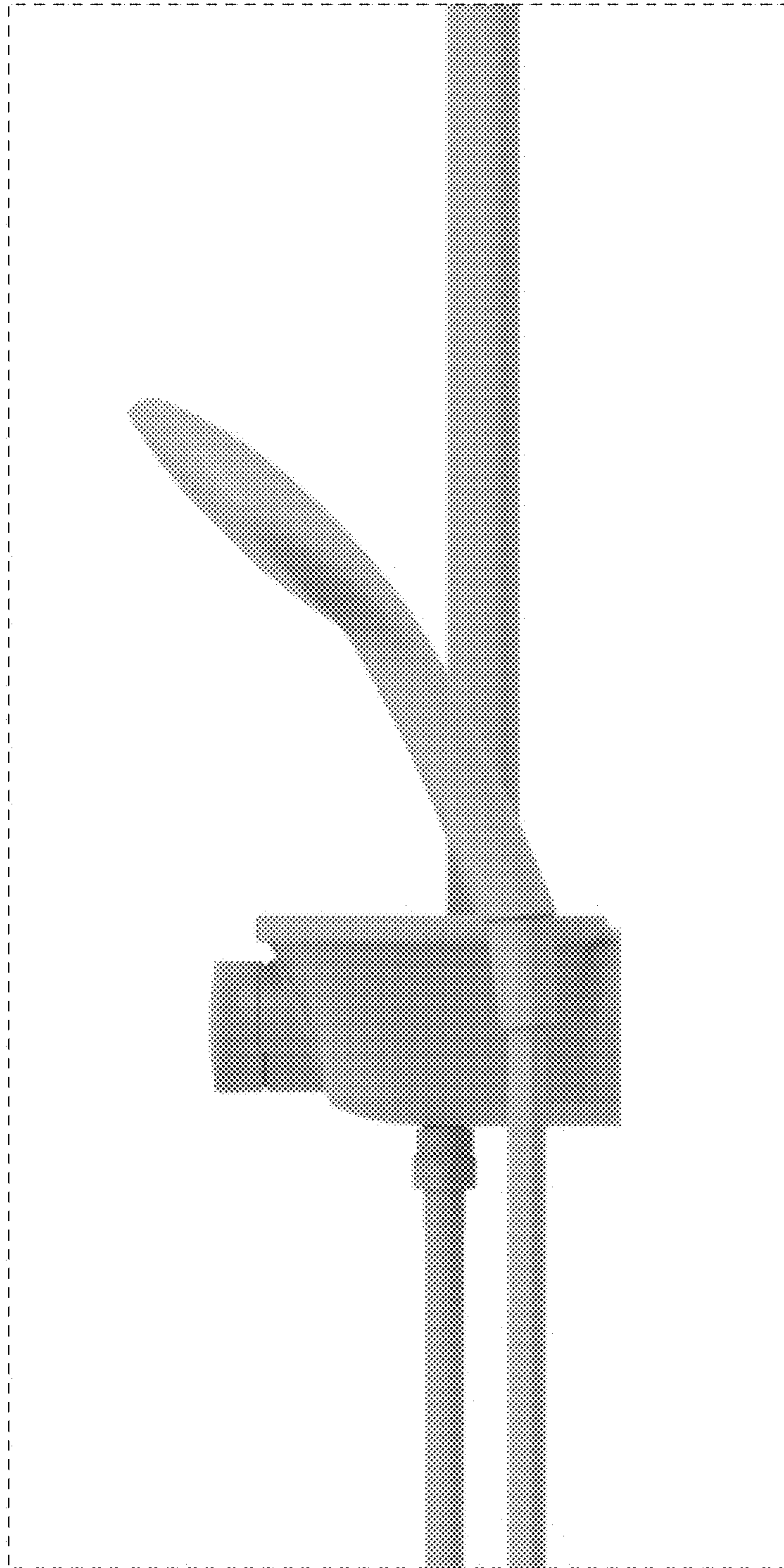


FIG. 10

