



US00D903048S

(12) **United States Design Patent**
Lu

(10) **Patent No.:** **US D903,048 S**
(45) **Date of Patent:** **** Nov. 24, 2020**

- (54) **WATER FILTER**
- (71) Applicant: **Tianjin Premium E-Commerce Co., Ltd.**, Tianjing (CN)
- (72) Inventor: **Jun Lu**, Baotou (CN)
- (**) Term: **15 Years**
- (21) Appl. No.: **29/679,264**
- (22) Filed: **Feb. 4, 2019**
- (51) **LOC (12) Cl.** **23-01**
- (52) **U.S. Cl.**
USPC **D23/209**
- (58) **Field of Classification Search**
USPC D23/207, 209, 200, 2, 205, 210, 259, D23/260, 261; D7/700
CPC B01D 35/14; B01D 35/30; B01D 35/0276; B01D 35/027; B01D 29/085; B01D 2201/29; B01D 2201/30; B01D 2201/291; B01D 2201/295; B01D 2201/296; B01D 2201/298; B01D 2201/301; B01D 2201/306; B01D 2201/309; C02F 1/002
See application file for complete search history.

- 6,149,801 A * 11/2000 Giordano B01D 17/0208 210/87
- D457,596 S * 5/2002 Guzman B01D 17/0208 D23/209
- D542,374 S * 5/2007 Green B01D 35/04 D23/209
- D861,128 S * 9/2019 Ye B01D 35/043 D23/209
- 2015/0068987 A1* 3/2015 Bassett B01D 35/04 210/767

* cited by examiner

Primary Examiner — Sheryl Lane

Assistant Examiner — Calvin E Vansant

(74) *Attorney, Agent, or Firm* — Yanling Jiang

(57) **CLAIM**

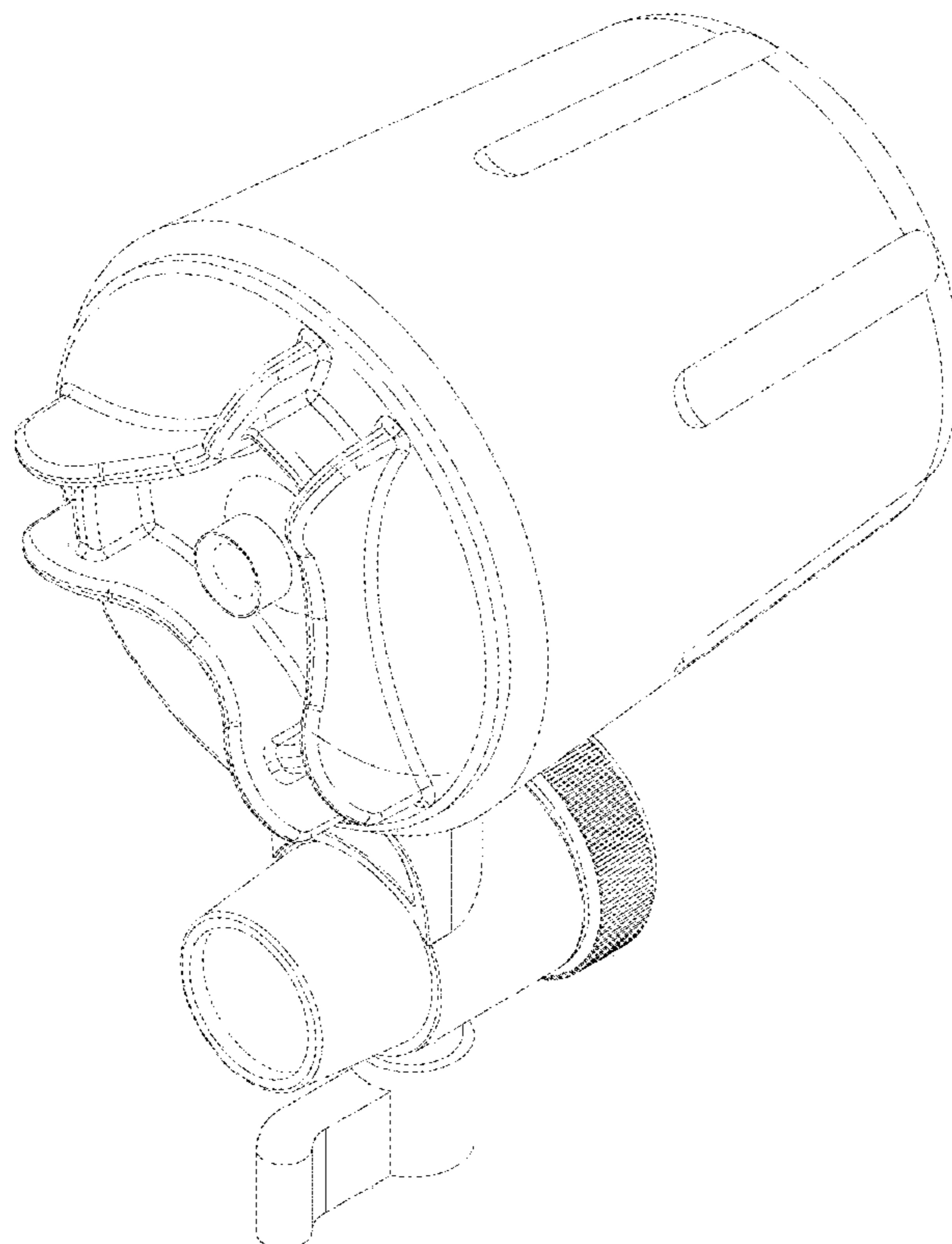
The ornamental design for a water filter, as shown and described.

DESCRIPTION

FIG. 1 is a top right perspective view showing water filter, showing my new design;
 FIG. 2 is a front elevation view thereof;
 FIG. 3 is a rear elevation view thereof;
 FIG. 4 is a top plan view thereof;
 FIG. 5 is a bottom plan view thereof;
 FIG. 6 is a side view thereof; and,
 FIG. 7 is an opposite side view thereof.
 The dashed broken lines depict portions of the water filter that form no part of the claimed design.

1 Claim, 7 Drawing Sheets

- (56) **References Cited**
U.S. PATENT DOCUMENTS
3,853,761 A * 12/1974 McClory B01D 35/043 210/100
D242,249 S * 11/1976 Corder et al. D23/209
D398,369 S * 9/1998 Hayes D23/209



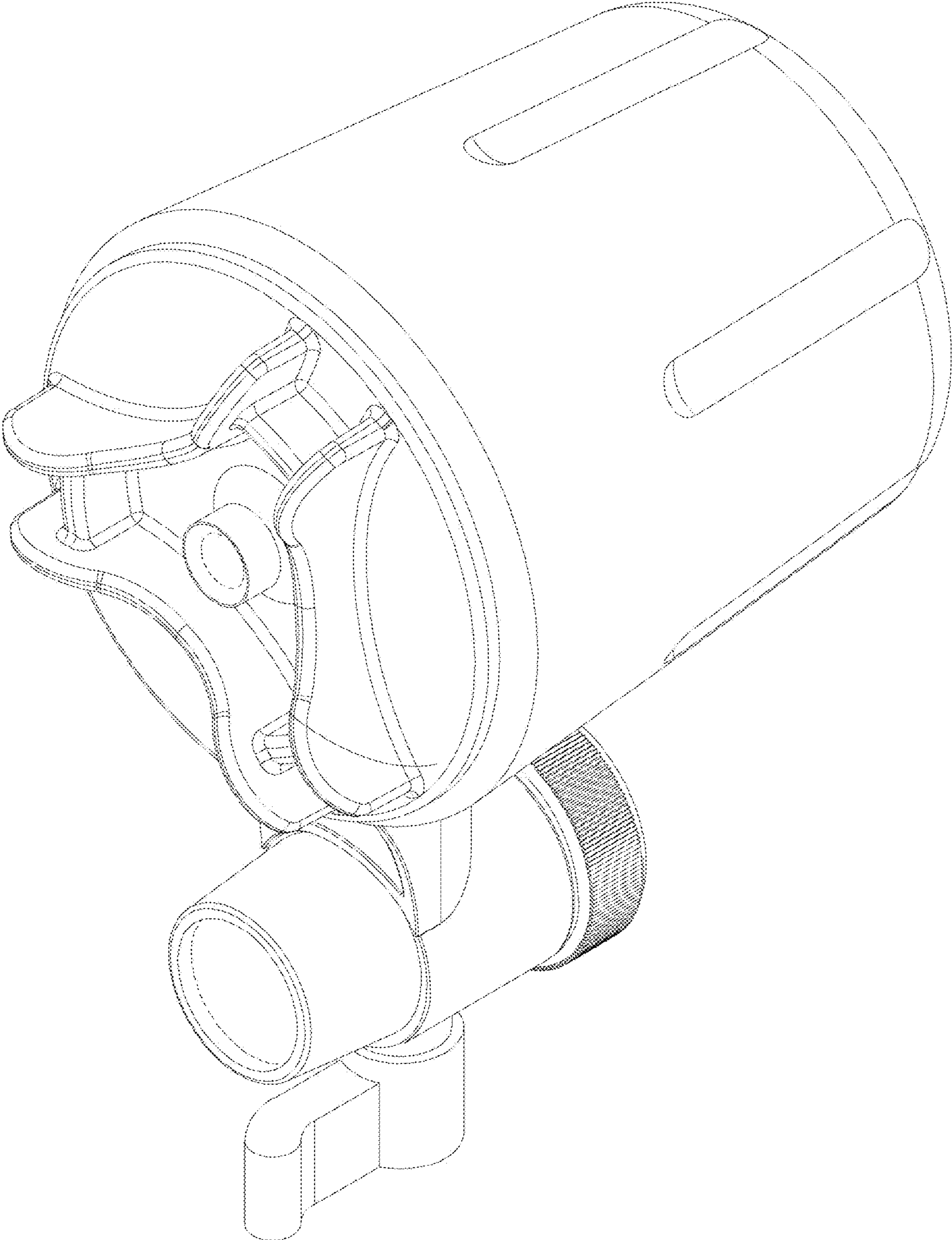


Fig. 1

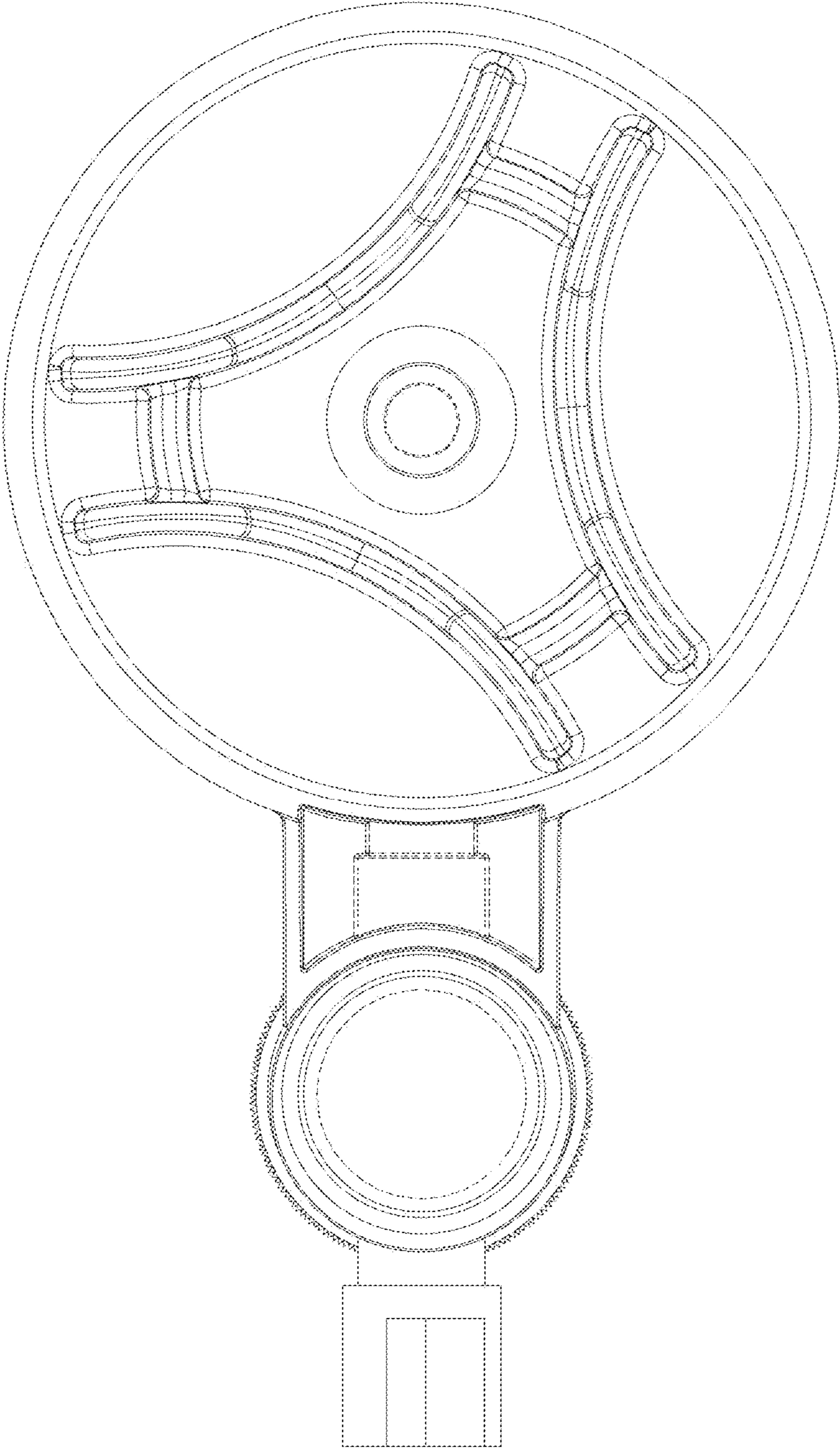


Fig. 2

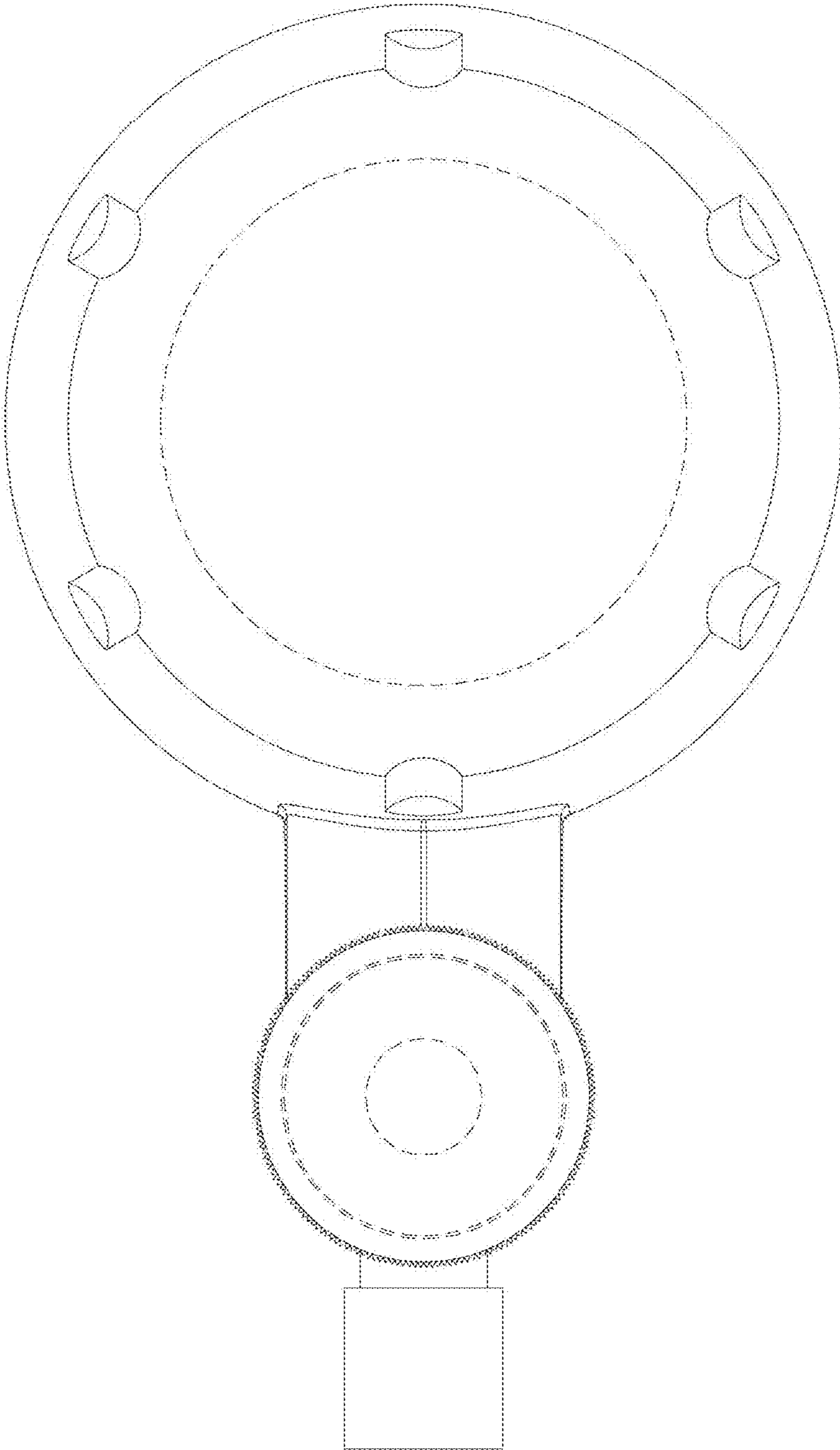


Fig. 3

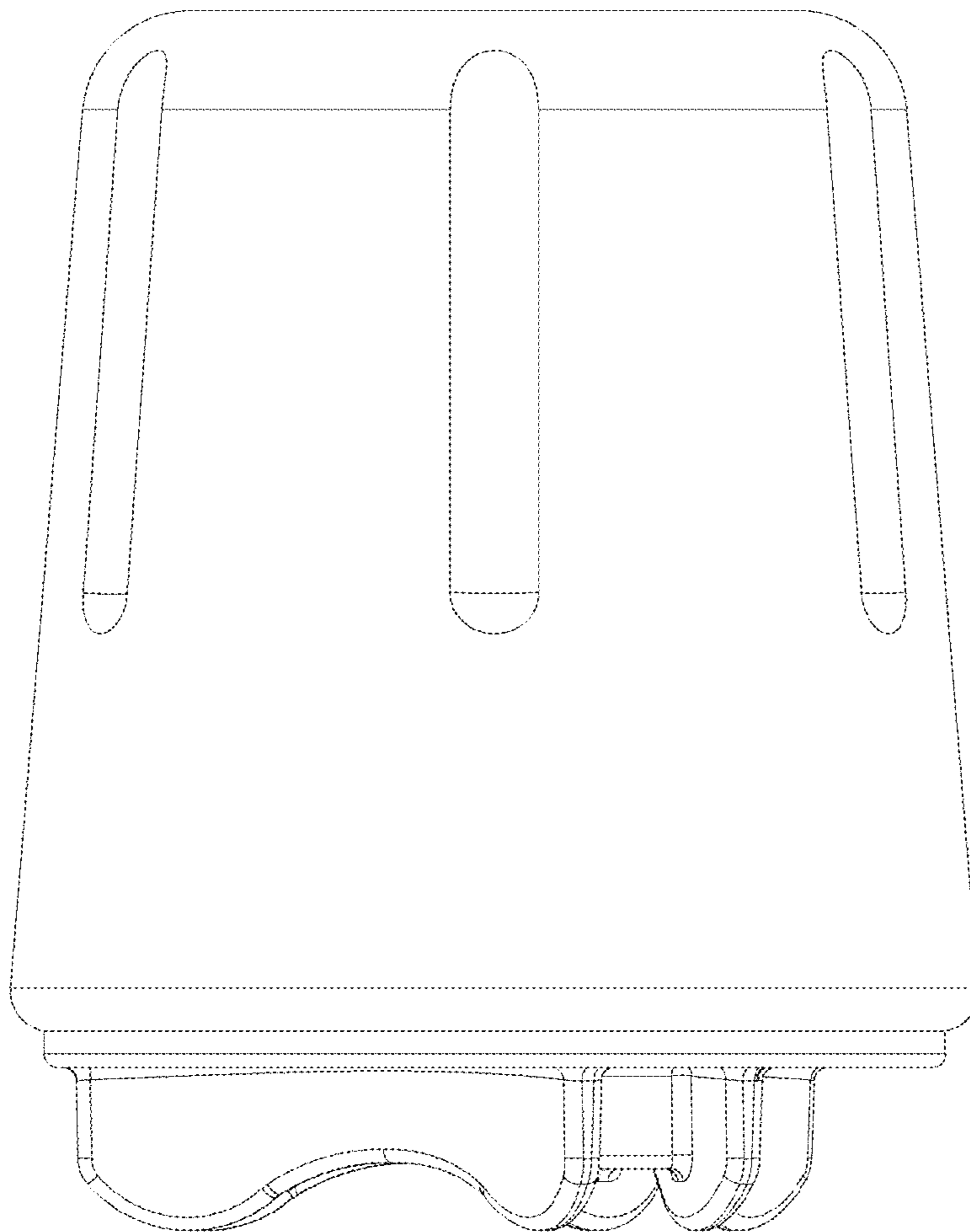


Fig. 4

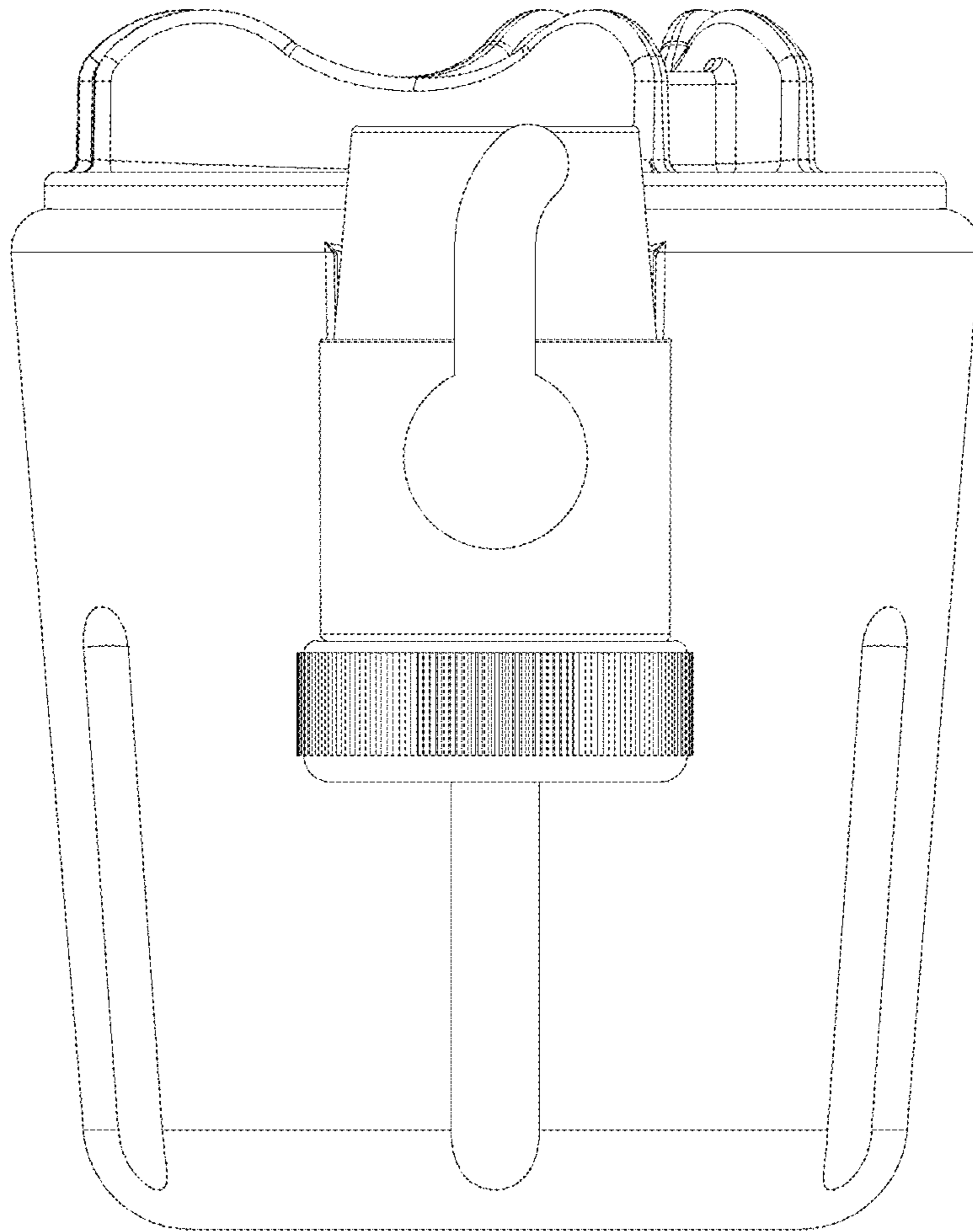


Fig. 5

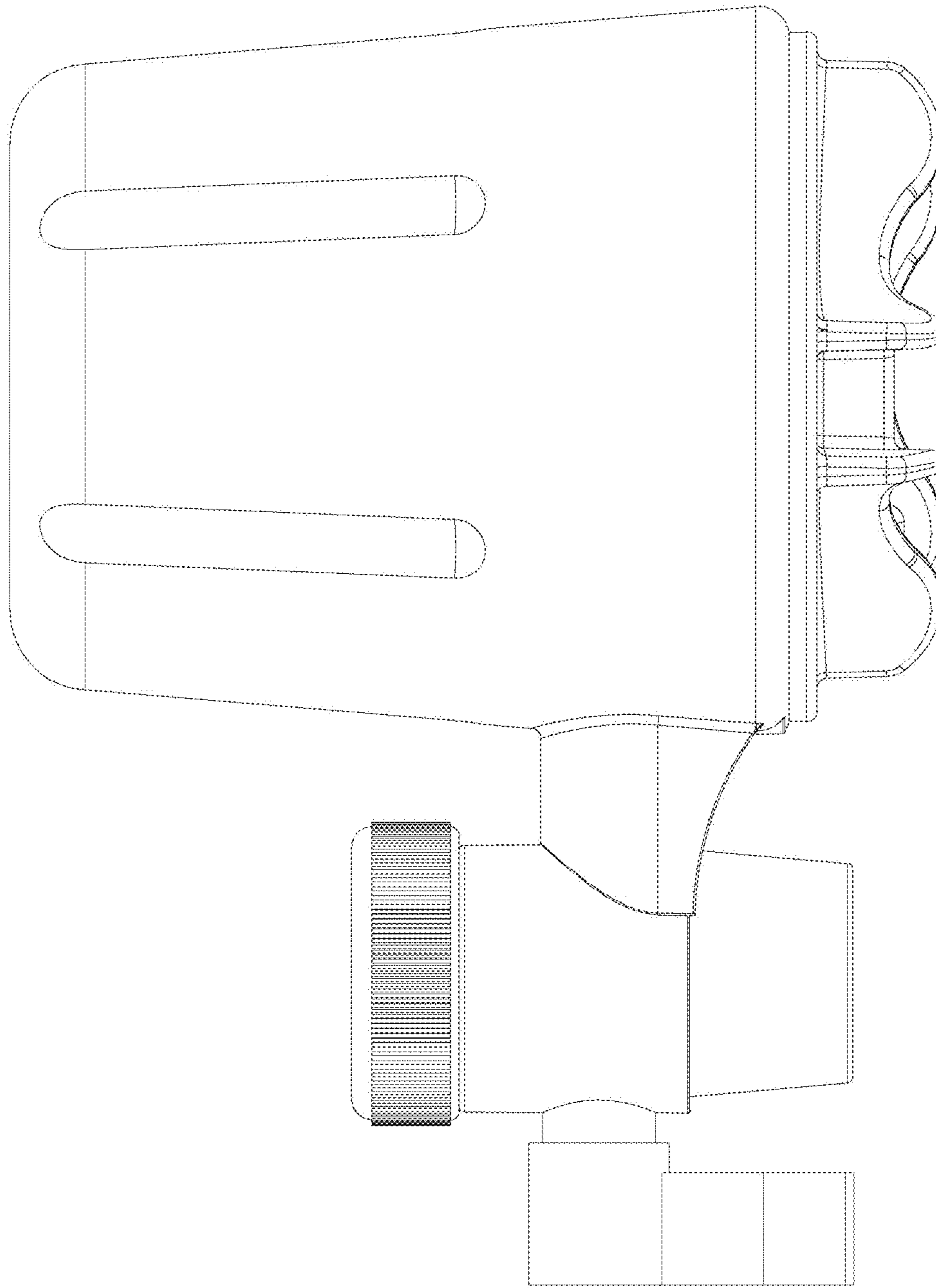


Fig. 6

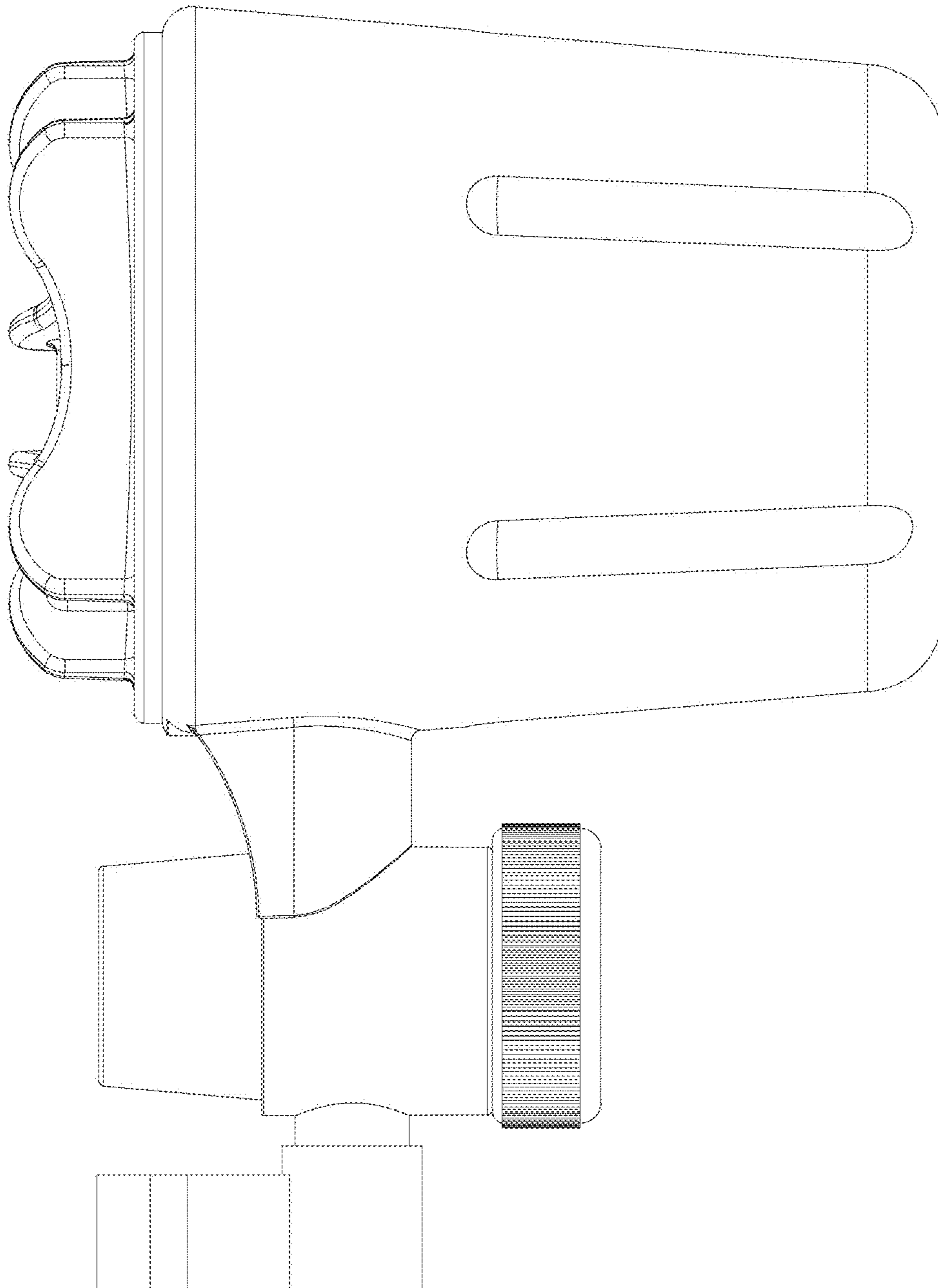


Fig. 7