



US00D903046S

(12) **United States Design Patent** (10) **Patent No.:** **US D903,046 S**  
**Dobbs** (45) **Date of Patent:** **\*\* Nov. 24, 2020**

(54) **FISHING ROD HOLDER**  
(71) Applicant: **Franklin Dobbs**, Katy, TX (US)  
(72) Inventor: **Franklin Dobbs**, Katy, TX (US)  
(\*\*) Term: **15 Years**  
(21) Appl. No.: **29/728,047**  
(22) Filed: **Mar. 16, 2020**  
(51) **LOC (12) Cl.** ..... **22-05**  
(52) **U.S. Cl.**  
USPC ..... **D22/147**  
(58) **Field of Classification Search**  
USPC ..... D22/147; D8/376; 43/17, 21.2;  
297/156, 188.01; 108/150; 248/156,  
248/511, 513-516; D11/117  
CPC .. A01K 97/10; A01K 97/125; E04H 12/2223;  
E04H 12/2276; F16M 13/02  
See application file for complete search history.

(56) **References Cited**  
**U.S. PATENT DOCUMENTS**  
D100,600 S \* 7/1936 Luff ..... D22/147  
2,184,192 A 12/1939 McCline et al.  
2,311,823 A 2/1943 Gaskill, Sr.  
2,607,398 A \* 8/1952 Andrews ..... A01K 97/10  
248/513  
D179,525 S \* 1/1957 Porter ..... D22/147  
3,186,666 A 6/1965 Williams  
3,623,685 A \* 11/1971 Thomson ..... A01K 97/10  
248/511  
3,835,568 A \* 9/1974 Whitfield ..... A01K 97/10  
43/17  
4,763,435 A 8/1988 Deering  
5,058,308 A \* 10/1991 Girard ..... A01K 97/125  
43/17  
5,383,299 A \* 1/1995 Smelker ..... A01K 97/10  
248/513  
5,533,295 A 7/1996 Hochberger  
5,566,495 A 10/1996 Kim et al.

5,628,487 A \* 5/1997 Huber ..... F16M 13/02  
248/513  
D409,274 S \* 5/1999 Morse, Jr. .... D22/147  
D414,239 S \* 9/1999 Lovelady ..... D22/147  
6,094,852 A \* 8/2000 Roach ..... A01K 97/12  
43/16  
6,163,608 A 12/2000 Romesburg et al.  
6,651,374 B1 11/2003 Ridlen  
D485,601 S \* 1/2004 Bertram ..... D22/147  
D581,999 S \* 12/2008 Eads ..... D22/147  
D599,877 S \* 9/2009 Battin, Jr. .... D22/147  
7,743,548 B1 \* 6/2010 Cashaw ..... A01K 97/11  
43/21.2  
D659,223 S 5/2012 Lefgren et al.  
8,276,310 B1 10/2012 Weber  
(Continued)

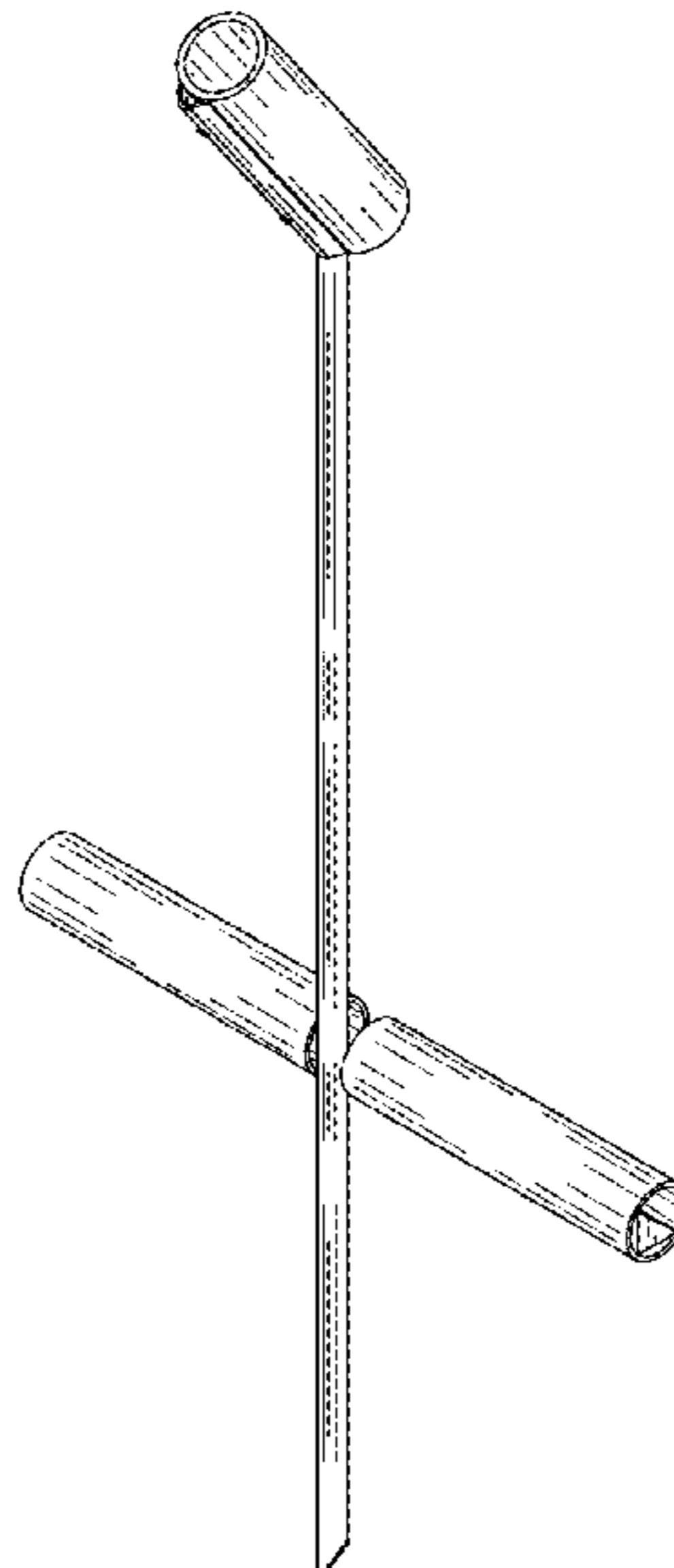
**OTHER PUBLICATIONS**

Beach Anchor Asst Colors—Wilcor, bigbeargearnj.com (Year: 2020).\*  
Sams Outdoor Mini Fighter Blue Rod Holder, Etsy.com (Year: 2018).\*  
*Primary Examiner* — Catherine R Oliver-Garcia  
(74) *Attorney, Agent, or Firm* — Cramer Patent & Design, PLLC; Aaron R. Cramer

(57) **CLAIM**  
The ornamental design for a fishing rod holder, as shown and described.

**DESCRIPTION**  
FIG. 1 is a perspective top front right view of the fishing rod holder, showing my new design;  
FIG. 2 is a perspective top rear left view thereof;  
FIG. 3 is a front elevation view thereof;  
FIG. 4 is a rear elevation view thereof;  
FIG. 5 is a right elevation view thereof;  
FIG. 6 is a left elevation view thereof;  
FIG. 7 is a top plan view thereof; and,  
FIG. 8 is a bottom plan view thereof.

**1 Claim, 6 Drawing Sheets**



(56)

**References Cited**

U.S. PATENT DOCUMENTS

8,444,105	B2 *	5/2013	Silvestri .....	E04H 12/2276 248/530
D750,735	S	3/2016	Nakamichi	
9,282,732	B2	3/2016	Henry, Jr.	
D812,185	S	3/2018	Mazaros	
D818,080	S	5/2018	Kennedy et al.	
D822,787	S	7/2018	Cipolla	
2004/0065802	A1 *	4/2004	Clasen .....	E04H 12/2223 248/530
2007/0215763	A1 *	9/2007	Krasnicki .....	A45F 3/44 248/156
2011/0185621	A1 *	8/2011	Lamb .....	A01K 97/10 43/21.2
2014/0137459	A1 *	5/2014	Mora .....	A01K 97/125 43/17

\* cited by examiner

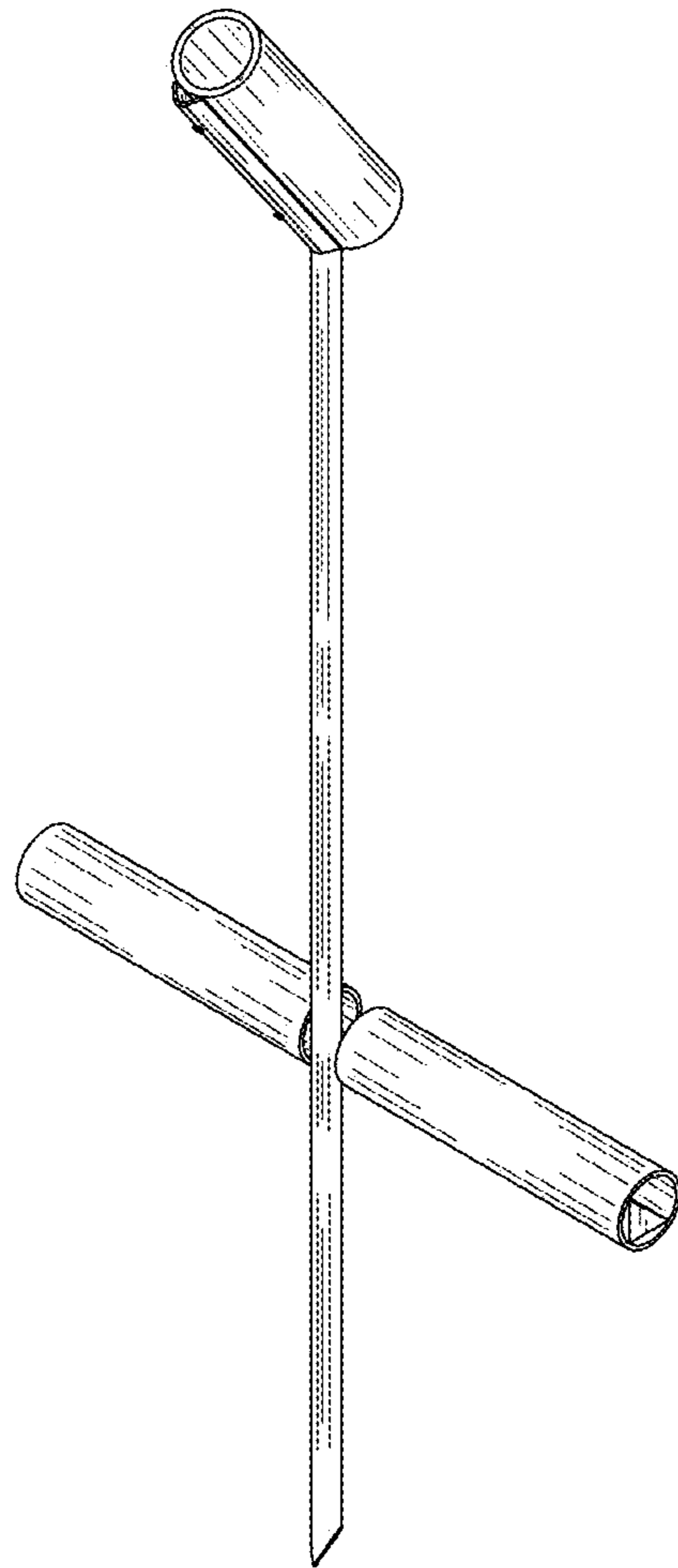


FIG. 1

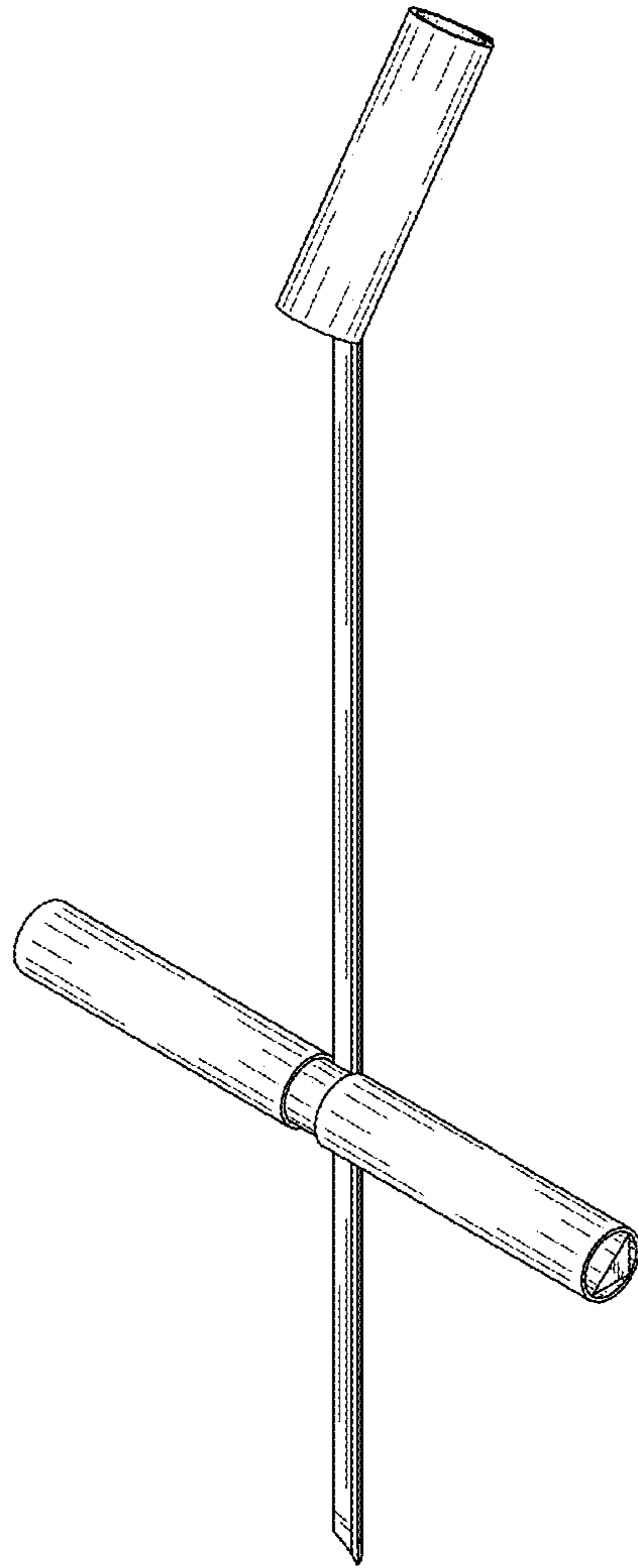


FIG. 2

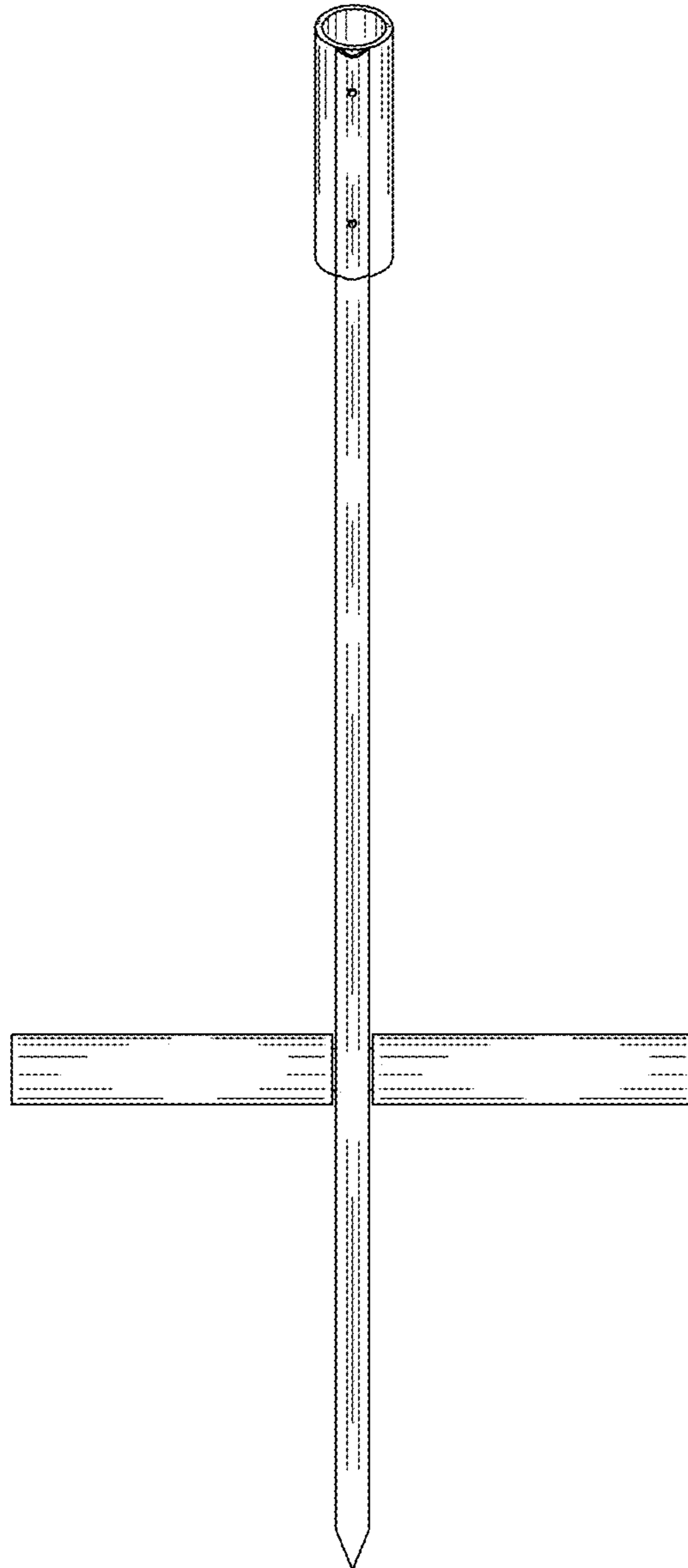


FIG. 3

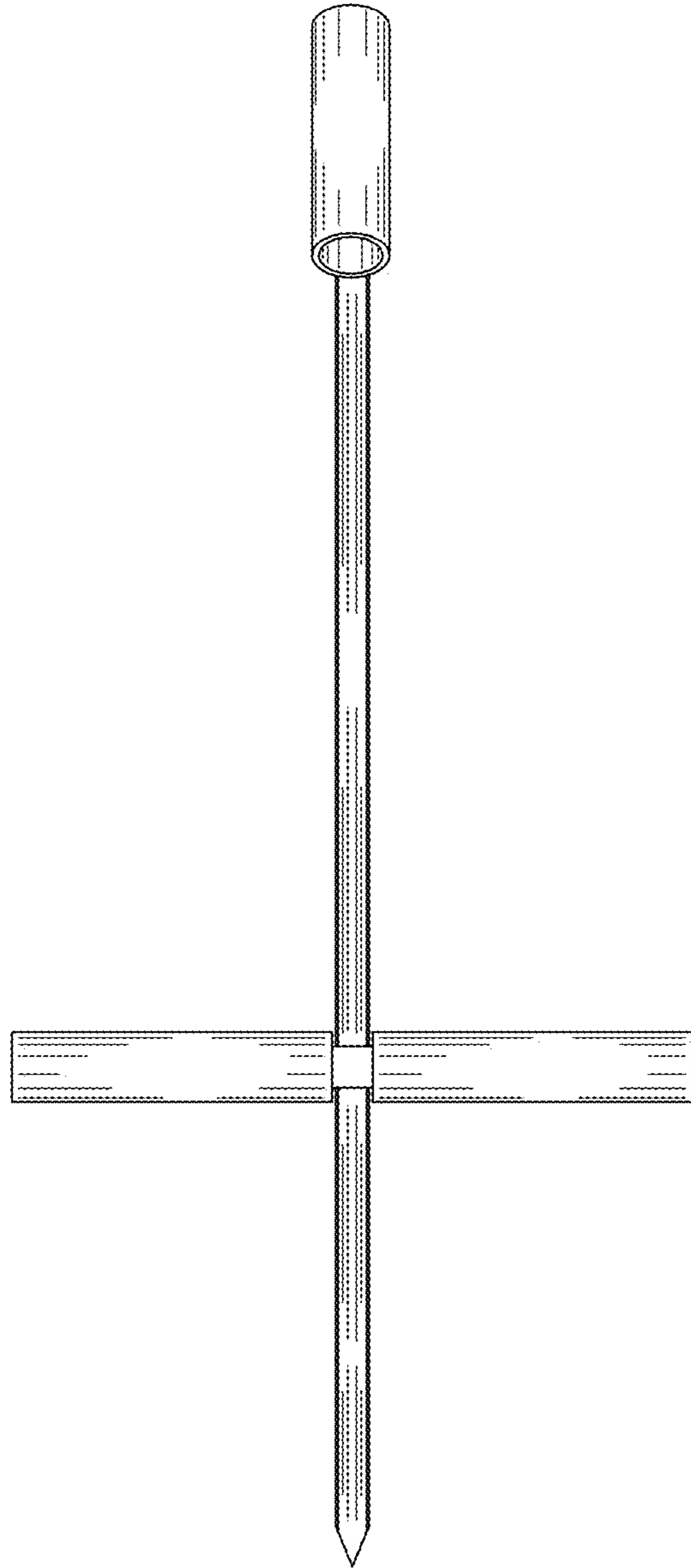


FIG. 4

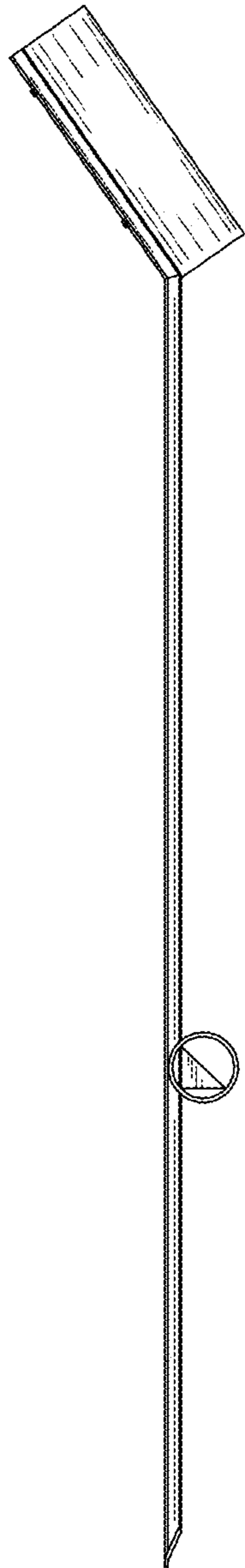


FIG. 5

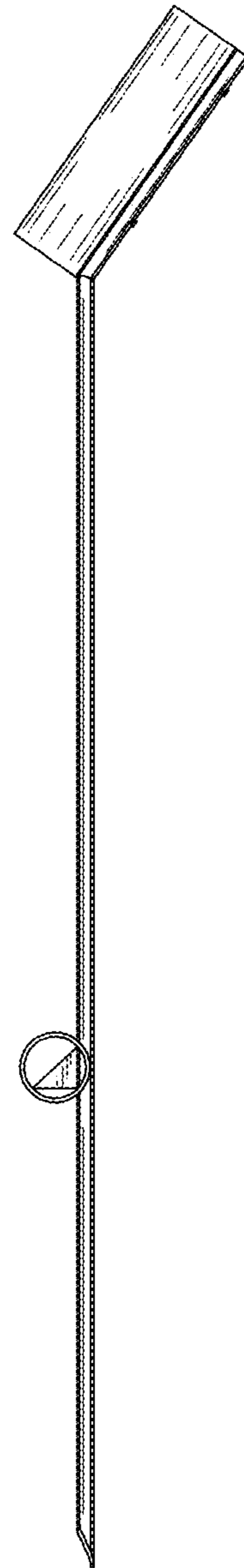


FIG. 6

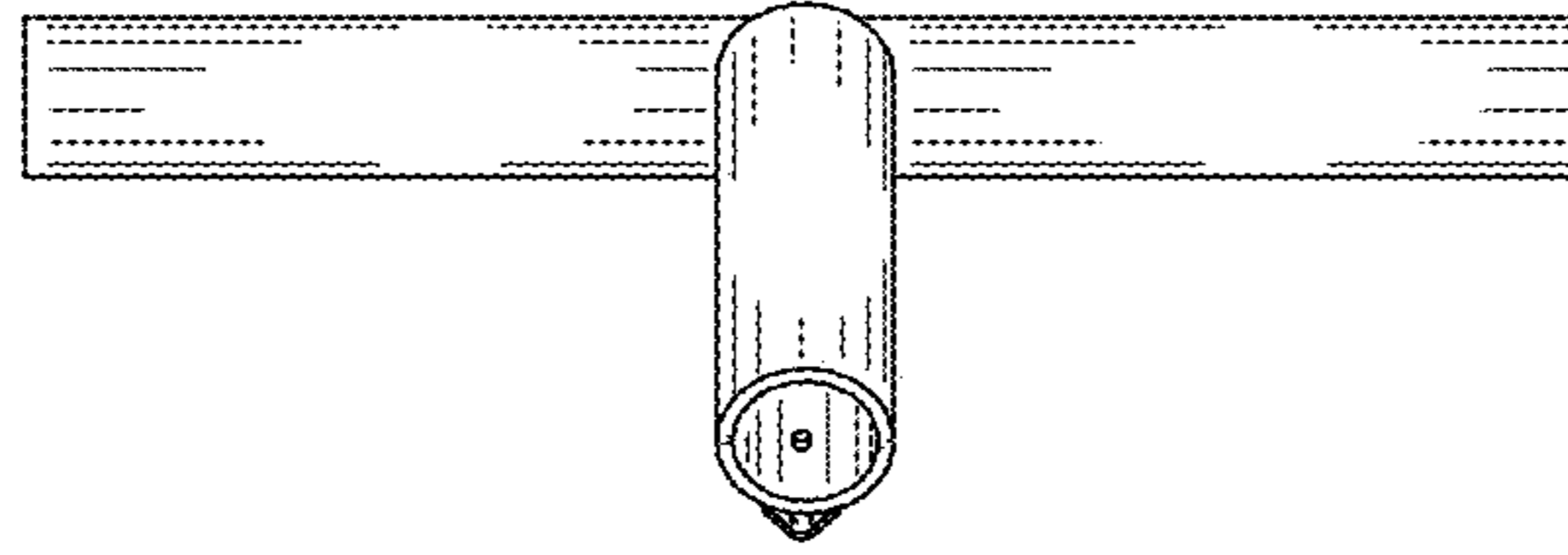


FIG. 7

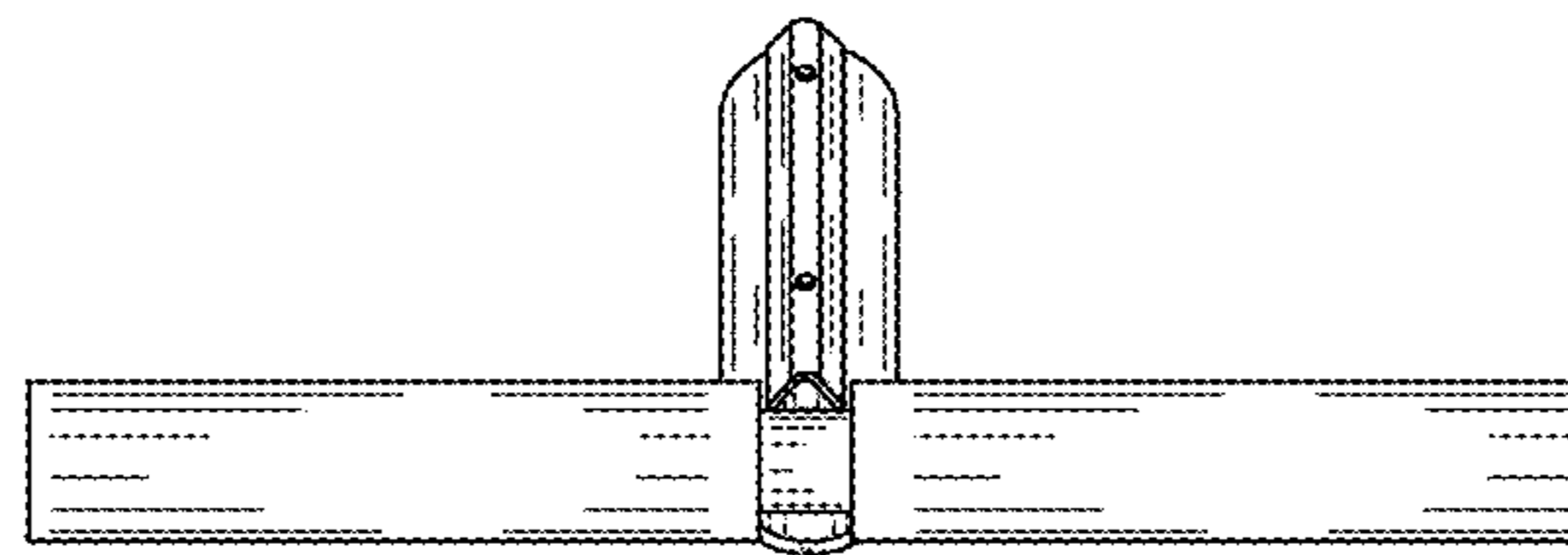


FIG. 8