



US00D903045S

(12) **United States Design Patent** (10) **Patent No.:** **US D903,045 S**
Shores (45) **Date of Patent:** **** Nov. 24, 2020**

(54) **FISHING BAIT, WEIGHT, AND HOOK HOLDER**

D750,733 S * 3/2016 Jeong D22/144
D755,921 S * 5/2016 Nitta D22/144
D850,575 S * 6/2019 Valdivia D22/144

(71) Applicant: **Brent Shores**, Boise, ID (US)

* cited by examiner

(72) Inventor: **Brent Shores**, Boise, ID (US)

Primary Examiner — Catherine R Oliver-Garcia
(74) *Attorney, Agent, or Firm* — Charles R. Clark

(**) Term: **15 Years**

(57) **CLAIM**

(21) Appl. No.: **29/697,408**

I claim the ornamental design for a fishing bait, weight, and hook holder, as shown and described.

(22) Filed: **Jul. 8, 2019**

DESCRIPTION

(51) **LOC (12) Cl.** **22-05**

(52) **U.S. Cl.**
USPC **D22/144**

(58) **Field of Classification Search**
USPC D22/144–145, 134; 43/44.4, 44.6, 43.6,
43/42.09, 25.2, 57.1
CPC A01K 83/00; A01K 85/02; A01K 97/06
See application file for complete search history.

FIG. 1 is a top perspective view of a fishing bait, weight, and hook holder showing my new design;
FIG. 2 is a top view of the fishing bait, weight, and hook holder of FIG. 1;
FIG. 3 is a bottom view of the fishing bait, weight, and hook holder of FIG. 1;
FIG. 4 is a side view of the fishing bait, weight, and hook holder of FIG. 1, the opposite side being a mirror image of that shown;
FIG. 5 is a front view of the fishing bait, weight, and hook holder of FIG. 1;
FIG. 6 is a rear view of the fishing bait, weight, and hook holder of FIG. 1; and,
FIG. 7 is a top perspective view of the fishing bait, weight, and hook holder of FIG. 1.

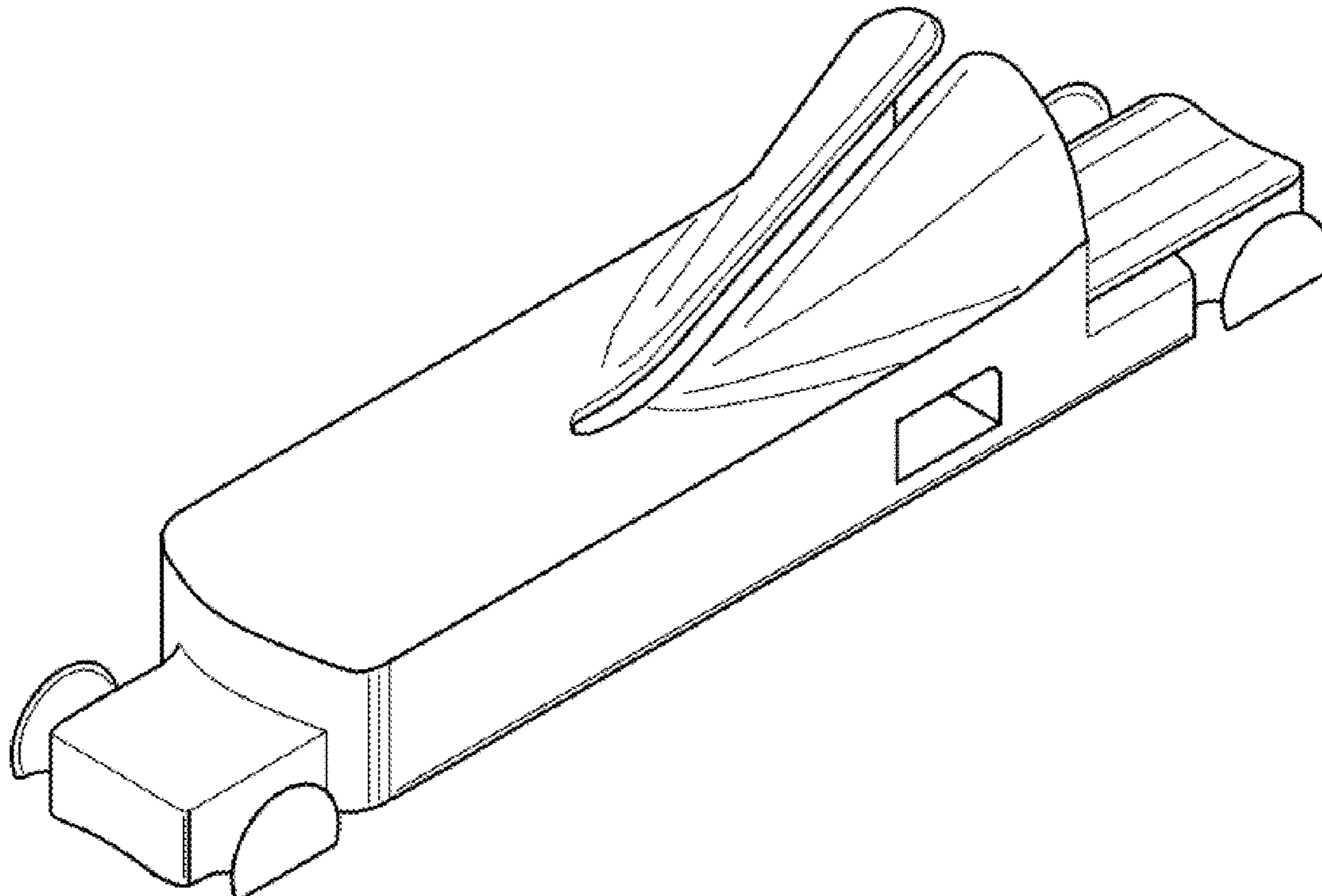
(56) **References Cited**

U.S. PATENT DOCUMENTS

2,605,579 A * 8/1952 Chadwick A01K 83/06
43/44.4
2,780,885 A * 2/1957 Callahan A01K 83/06
43/44.6
5,020,264 A * 6/1991 Demski A01K 97/06
43/25.2
D320,060 S * 9/1991 Austin D22/136
5,123,199 A * 6/1992 Lysohir A01K 97/06
43/25.2
D331,788 S * 12/1992 Jensen D22/126
D528,628 S * 9/2006 Duymaz D22/144

The broken lines are for the purpose of illustrating environment and form no part of the claimed design.
The broken lines illustrate the holder mounted to a portion of a fishing rod and holding a fishing weight attached to a portion of fishing line.

1 Claim, 1 Drawing Sheet



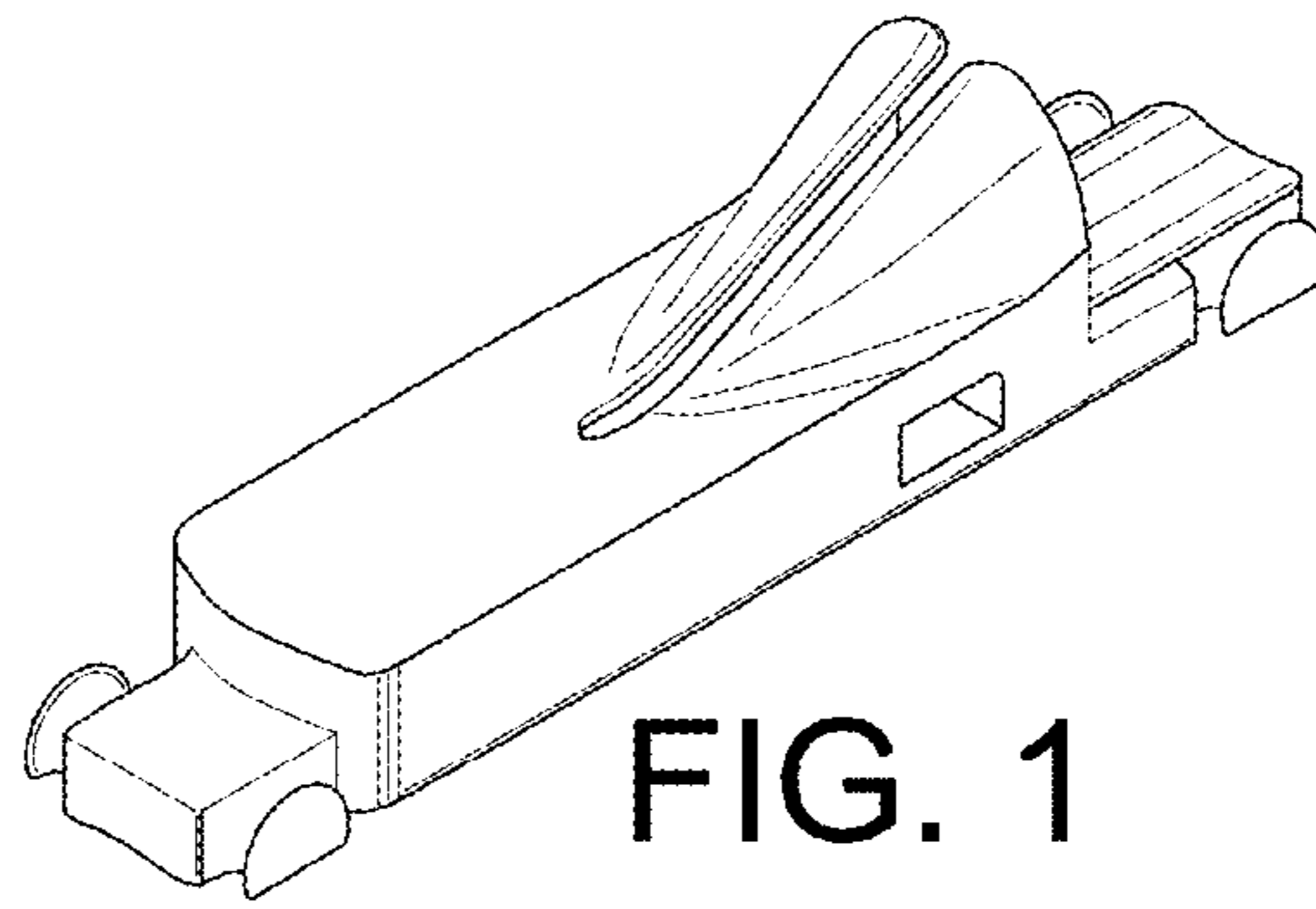


FIG. 1

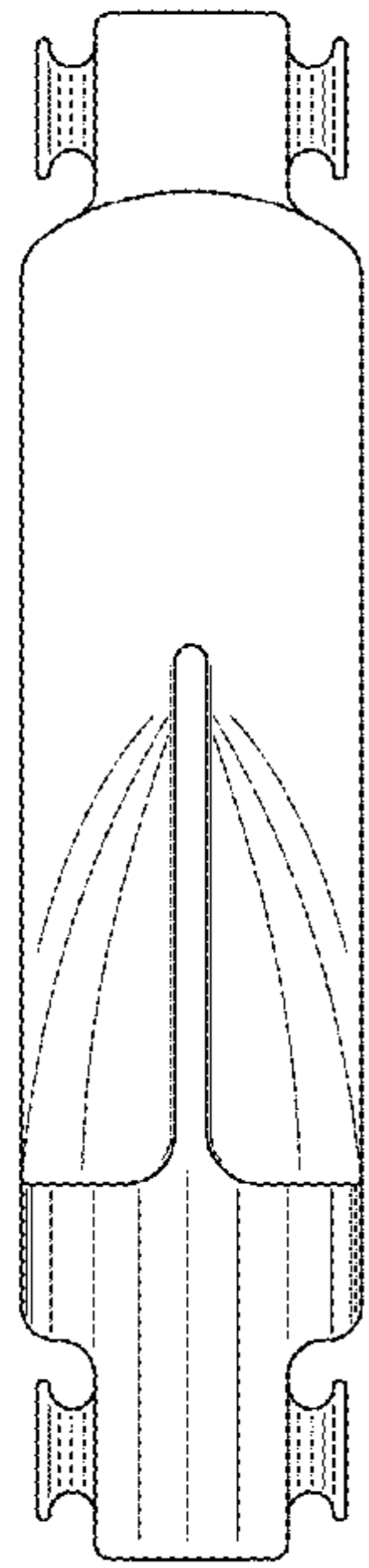


FIG. 2

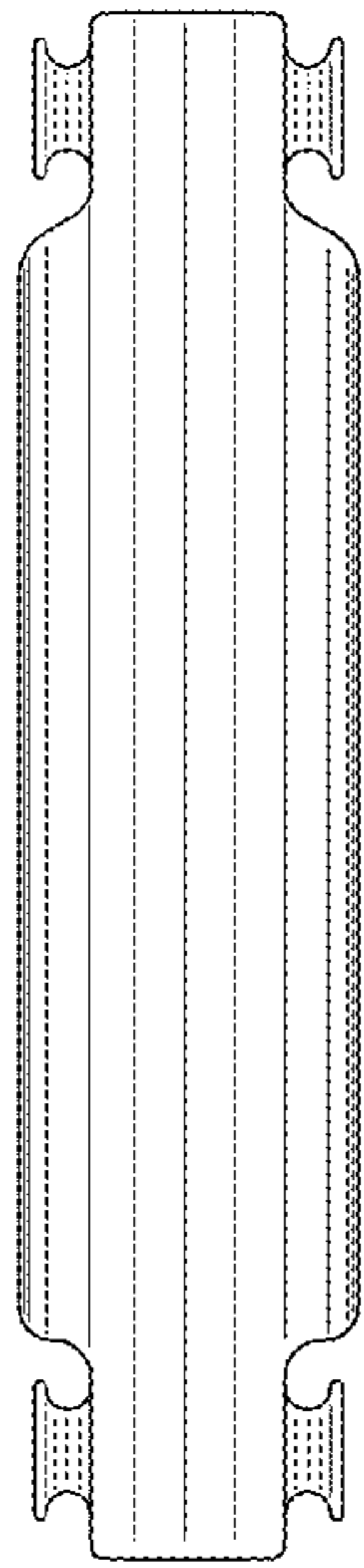


FIG. 3

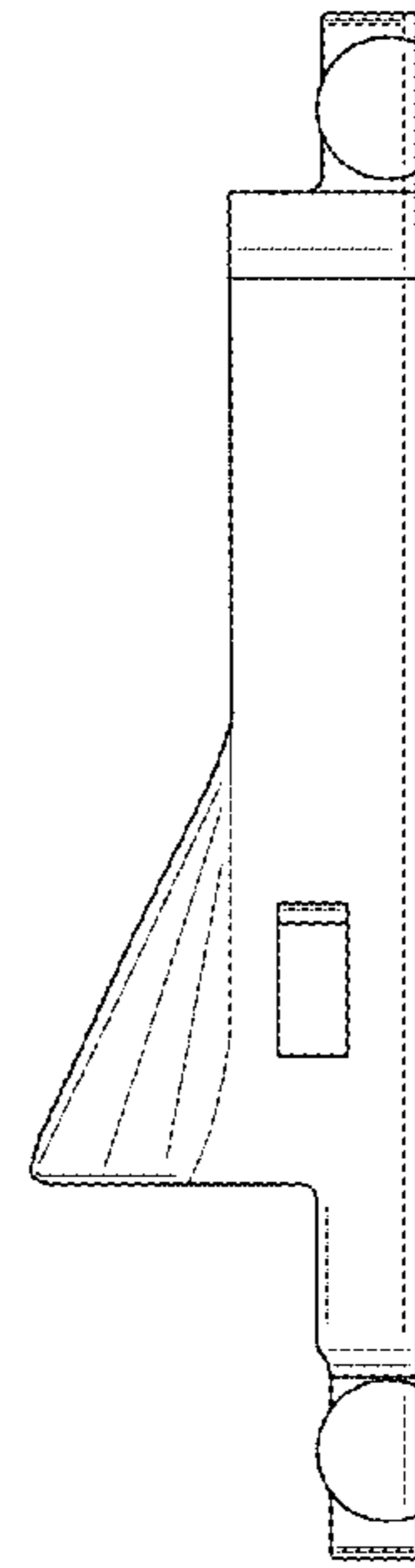


FIG. 4

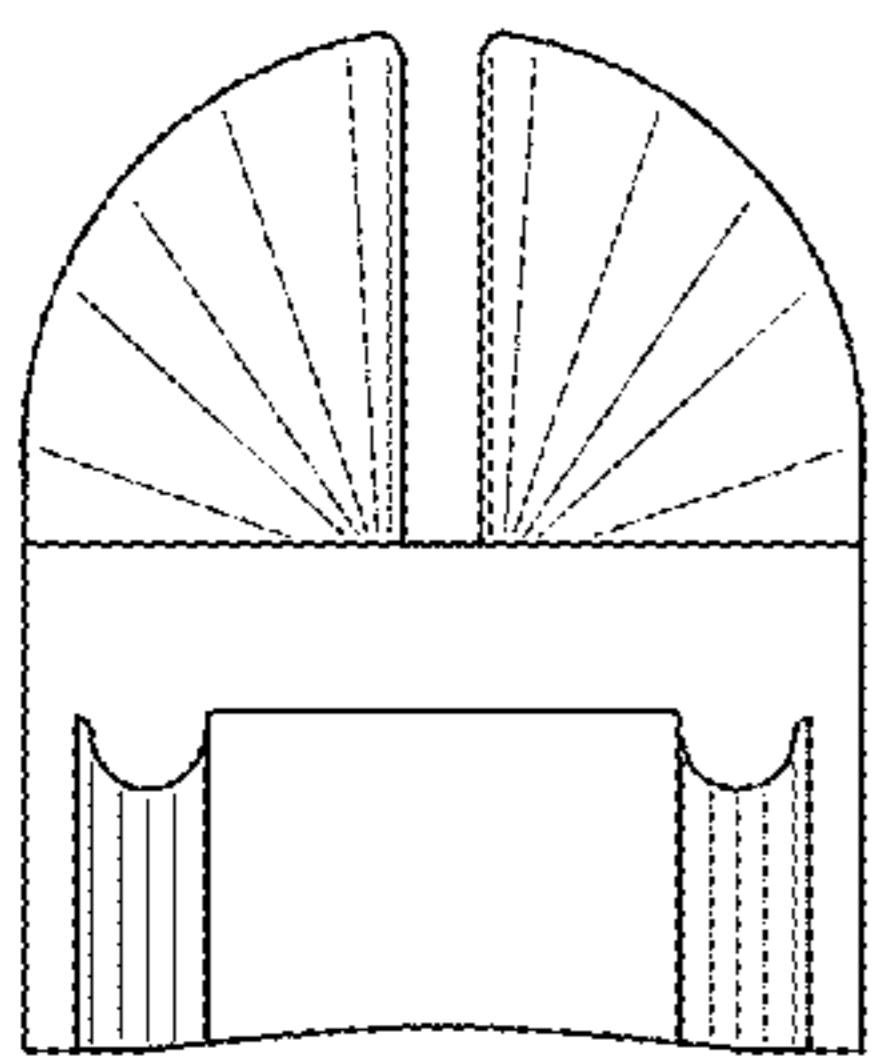


FIG. 5

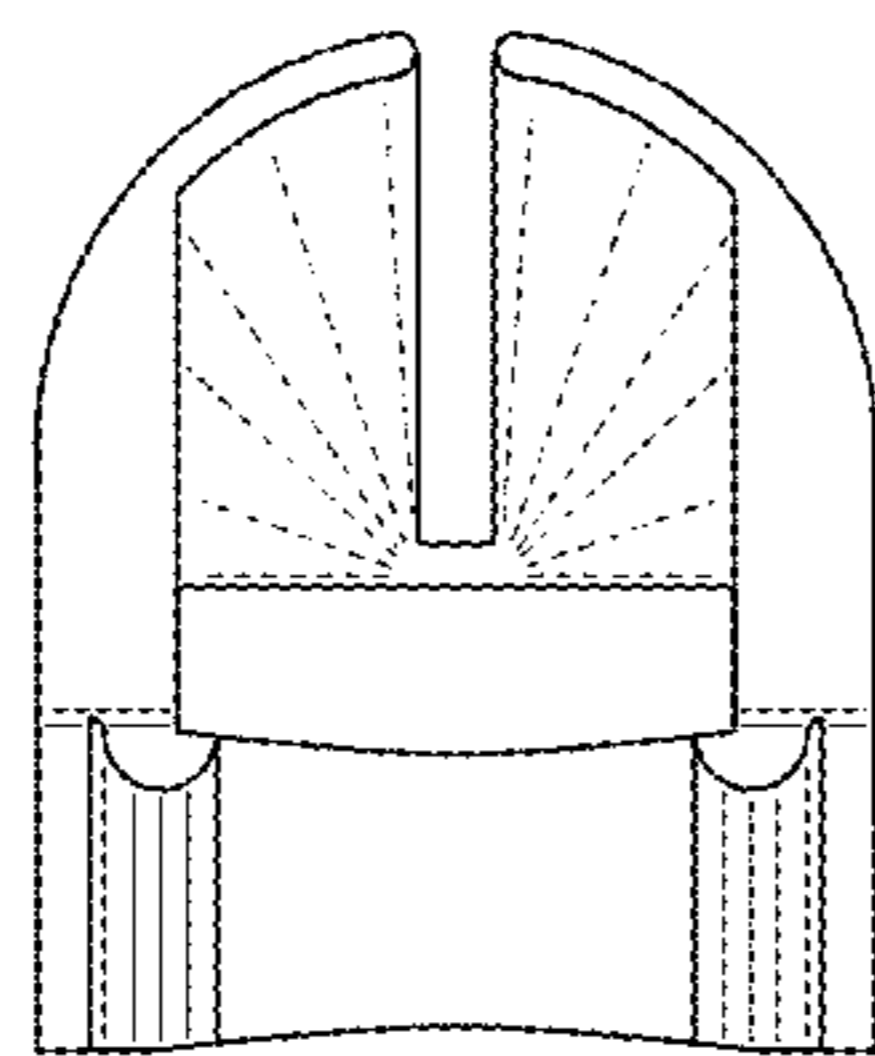


FIG. 6

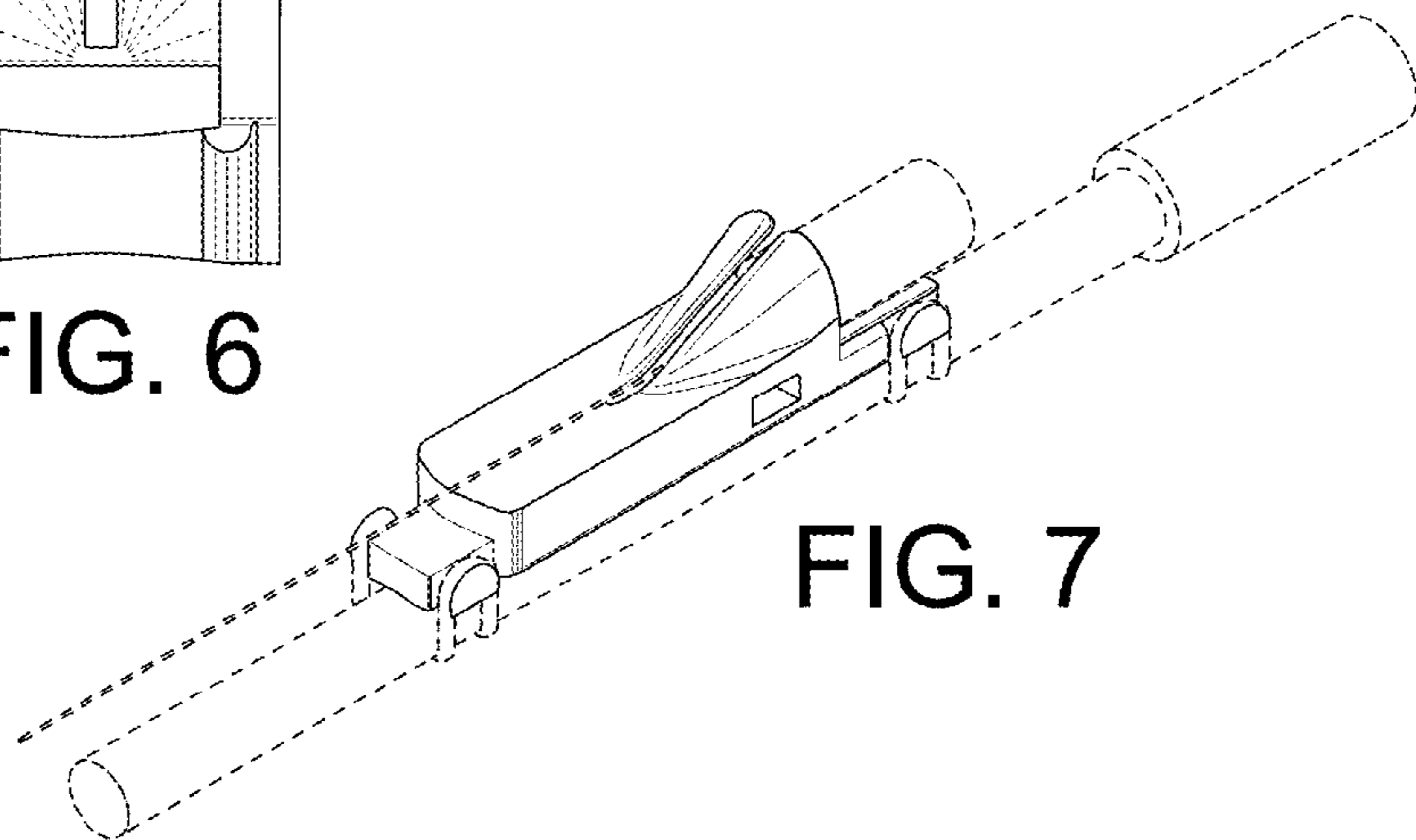


FIG. 7