



US00D903044S

(12) **United States Design Patent** (10) **Patent No.:** **US D903,044 S**
Bennis (45) **Date of Patent:** **** Nov. 24, 2020**

- (54) **SINGLE KINK FISHING HOOK**
- (71) Applicant: **Gary Bennis**, Eau Claire, WI (US)
- (72) Inventor: **Gary Bennis**, Eau Claire, WI (US)
- (73) Assignee: **Gary Bennis**, Eau Claire, WI (US)
- (**) Term: **15 Years**
- (21) Appl. No.: **29/665,968**
- (22) Filed: **Oct. 9, 2018**

Related U.S. Application Data

- (63) Continuation of application No. 29/527,561, filed on May 20, 2015, now Pat. No. Des. 830,494, which is (Continued)
- (51) **LOC (12) Cl.** **22-05**
- (52) **U.S. Cl.**
USPC **D22/144**
- (58) **Field of Classification Search**
USPC D22/144; 43/43.16, 44.4, 44.81, 44.8, 43/42.31, 43.2, 42.53, 42.37, 42.39, 43/42.38, 44.89
(Continued)

(56) **References Cited**

U.S. PATENT DOCUMENTS

- 2,164,807 A * 7/1939 Evans A01K 83/00 43/43.16
- 3,398,477 A * 8/1968 Paluzzi A01K 83/06 43/44.4

(Continued)

Primary Examiner — Catherine R Oliver-Garcia

(74) *Attorney, Agent, or Firm* — William D. Hare, Esq.; McNeely, Hare & War, LLP

(57) **CLAIM**

The ornamental design for a single kink fishing hook, as shown and described.

DESCRIPTION

FIG. 1 is a perspective view of a first single kink, treble fishing hook including three hooks, each hook having a barb, shown in broken lines, and a shank terminating in a common eyelet, shown in broken lines, and a kink adjacent to the front length and/or tip of the hook.

FIG. 2 is a top view of the fishing hook of FIG. 1.

FIG. 3 is a front view of the fishing hook of FIG. 1.

FIG. 4 is a side view of the fishing hook of FIG. 1.

FIG. 5 is a rear view of the fishing hook of FIG. 1.

FIG. 6 is a bottom view of the fishing hook of FIG. 1.

FIG. 7 is a perspective view of a second single kink, treble fishing hook including three hooks, each hook having a barb, shown in broken lines, and a shank terminating in a common eyelet, shown in broken lines, and a kink adjacent to the front length and/or tip of the hook.

FIG. 8 is a top view of the fishing hook of FIG. 7.

FIG. 9 is a front view of the fishing hook of FIG. 7.

FIG. 10 is a side view of the fishing hook of FIG. 7.

FIG. 11 is a rear view of the fishing hook of FIG. 7.

FIG. 12 is a bottom view of the fishing hook of FIG. 7.

FIG. 13 is a perspective view of a third single kink, treble fishing hook including three hooks, each hook having a barb, shown in broken lines, and a shank terminating in a common eyelet, shown in broken lines, and a kink adjacent to the front length and/or tip of the hook.

FIG. 14 is a top view of the fishing hook of FIG. 13.

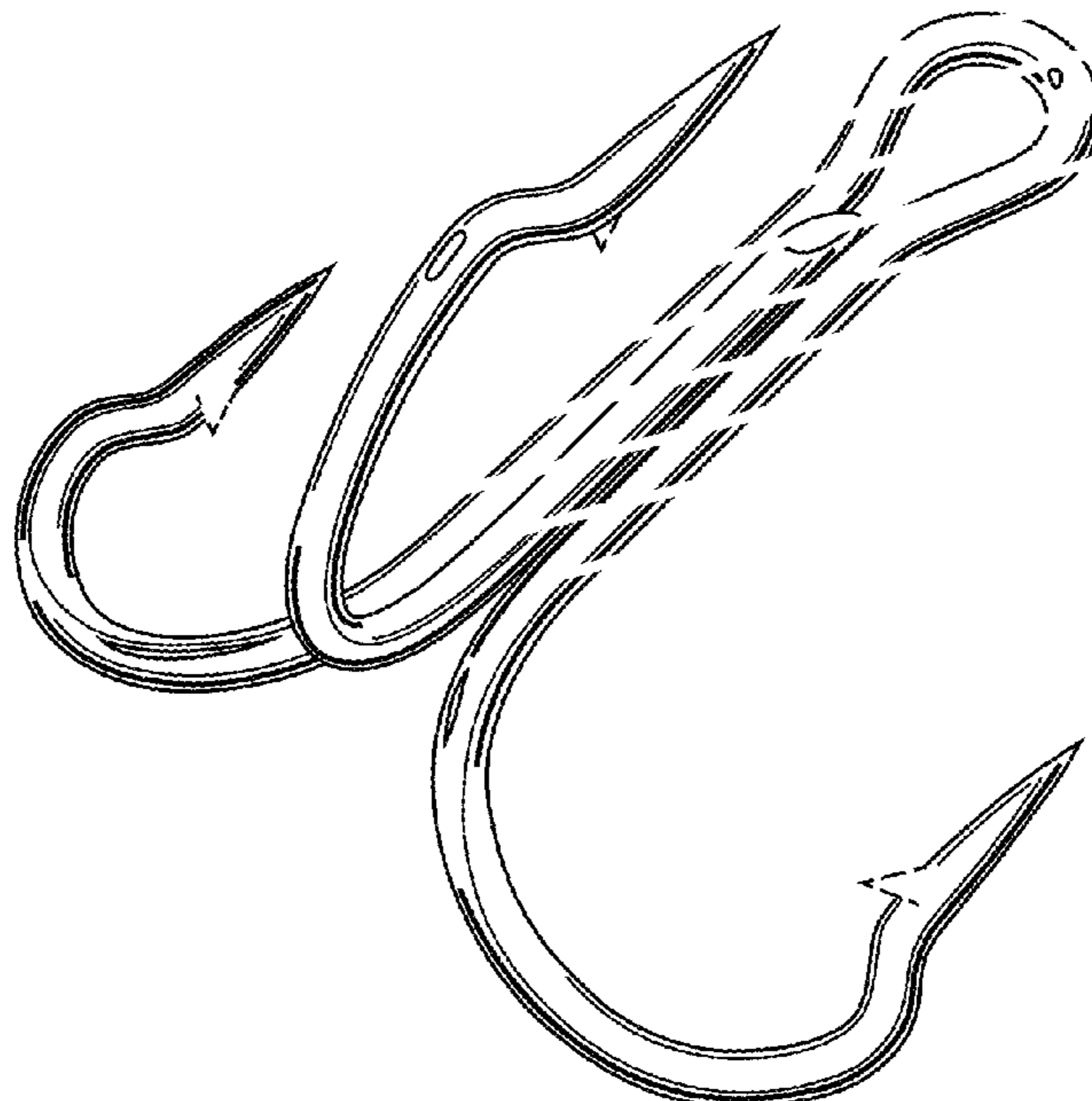
FIG. 15 is a front view of the fishing hook of FIG. 13.

FIG. 16 is a side view of the fishing hook of FIG. 13.

FIG. 17 is a rear view of the fishing hook of FIG. 13; and, FIG. 18 is a bottom view of the fishing hook of FIG. 13.

The broken lines depict environmental structure and are included for the purpose of illustrating only and form no part of the claimed design.

1 Claim, 6 Drawing Sheets



Related U.S. Application Data

a continuation of application No. 14/572,213, filed on Dec. 16, 2014, which is a continuation of application No. 13/947,763, filed on Jul. 22, 2013, now Pat. No. 8,910,416.

(58) **Field of Classification Search**

CPC A01K 83/00; A01K 83/06; A01K 91/04
See application file for complete search history.

(56) **References Cited**

U.S. PATENT DOCUMENTS

D222,833	S	*	1/1972	Fujii et al.	D22/144
4,987,697	A	*	1/1991	Klein	A01K 91/04
						43/44.83
5,241,775	A	*	9/1993	Matsumura	A01K 83/00
						43/44.83
D370,520	S	*	6/1996	Kahng	D22/144
D487,913	S	*	3/2004	Asada	D22/144
D600,316	S	*	9/2009	Lee	D22/144
D620,074	S	*	7/2010	Muhlenbruck	D22/144

* cited by examiner

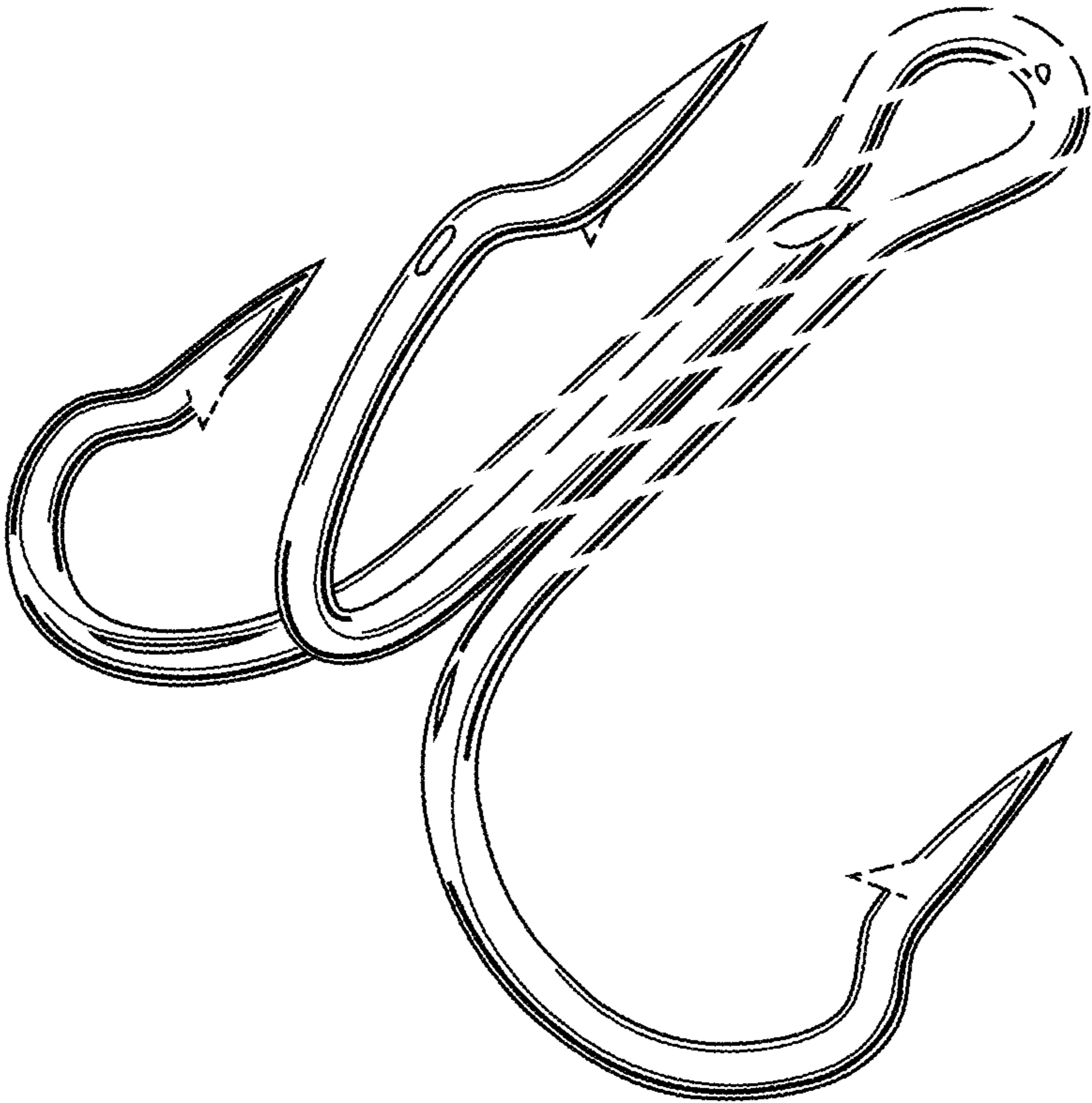


FIGURE 1

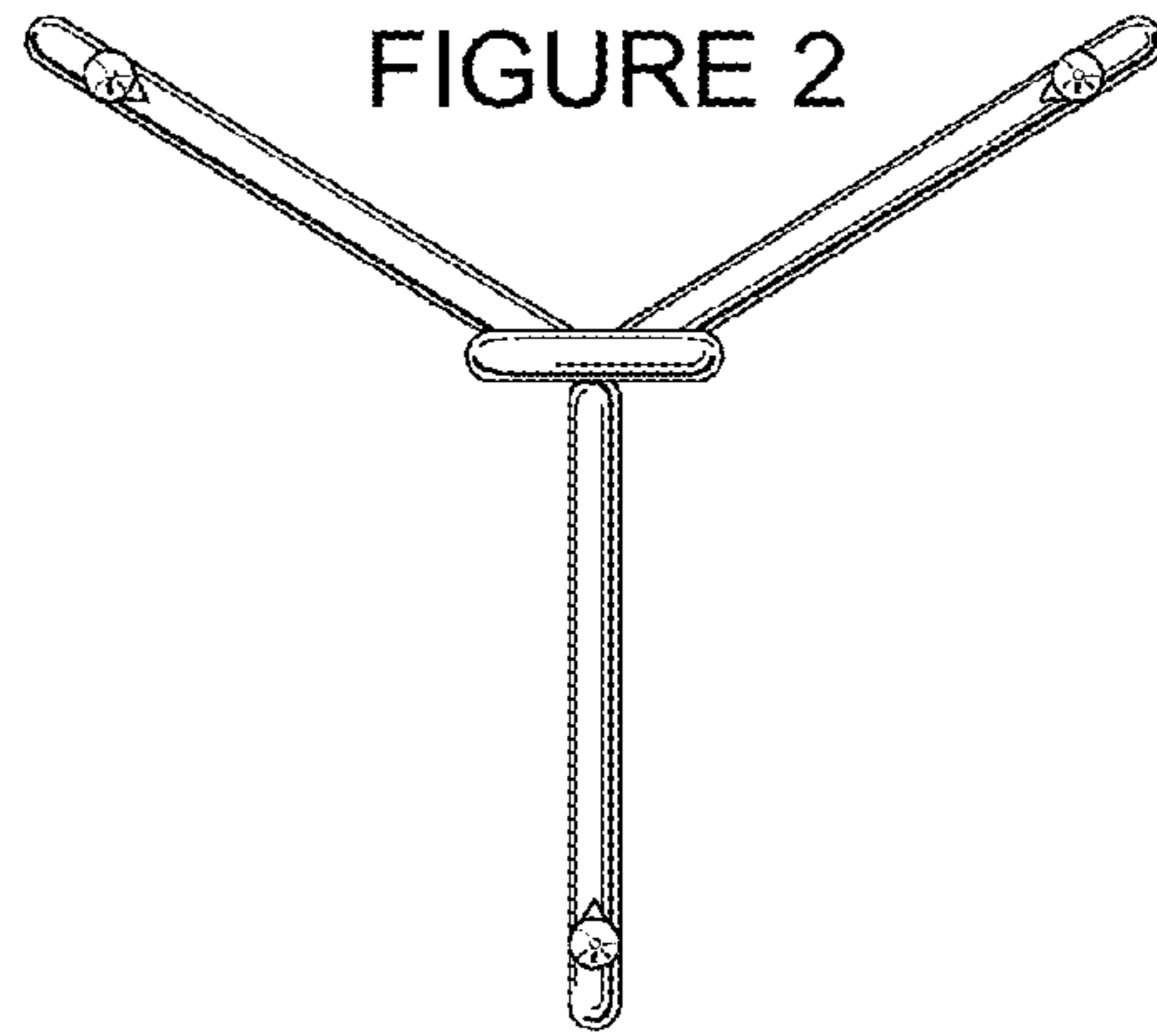


FIGURE 2

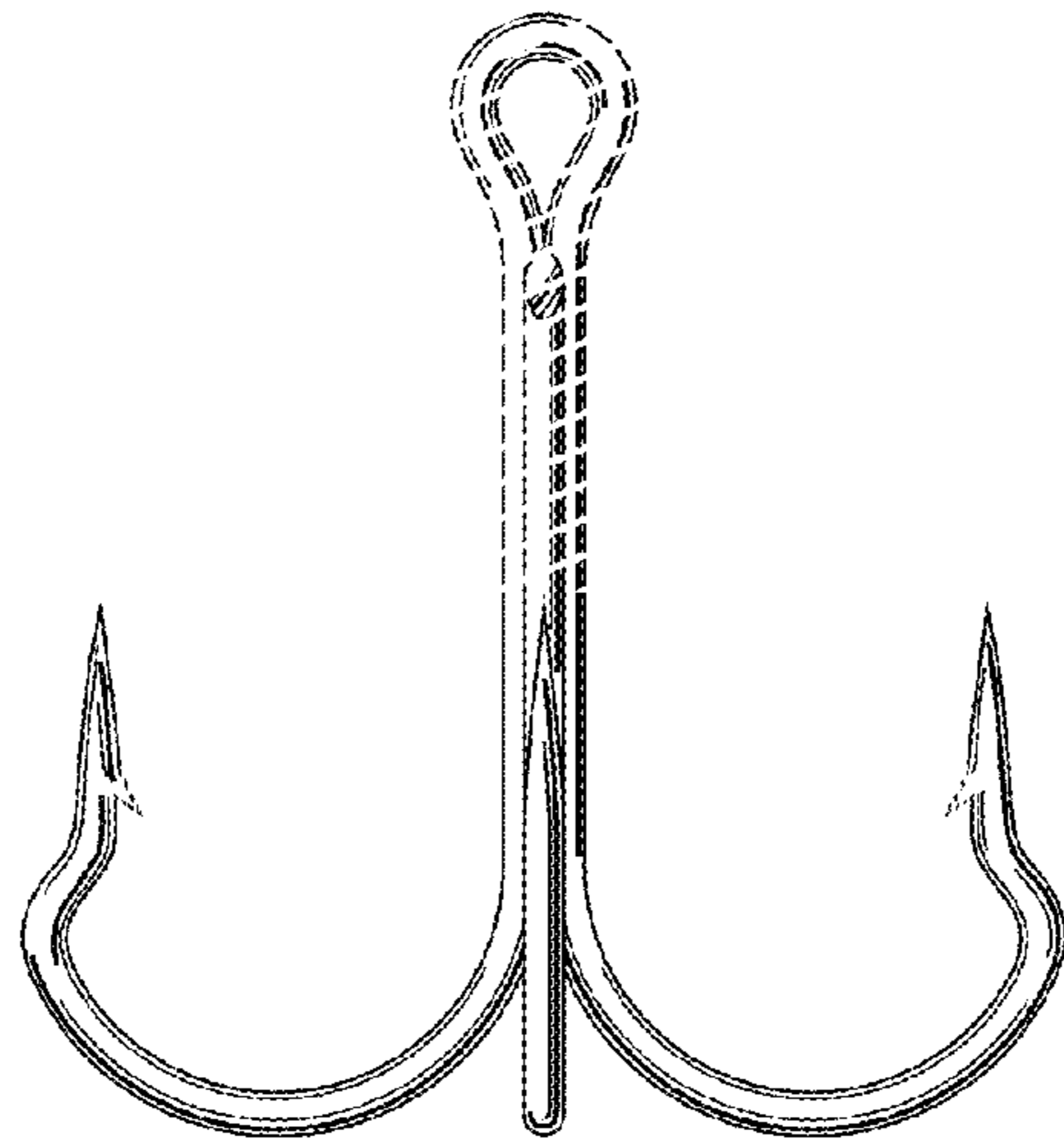


FIGURE 4

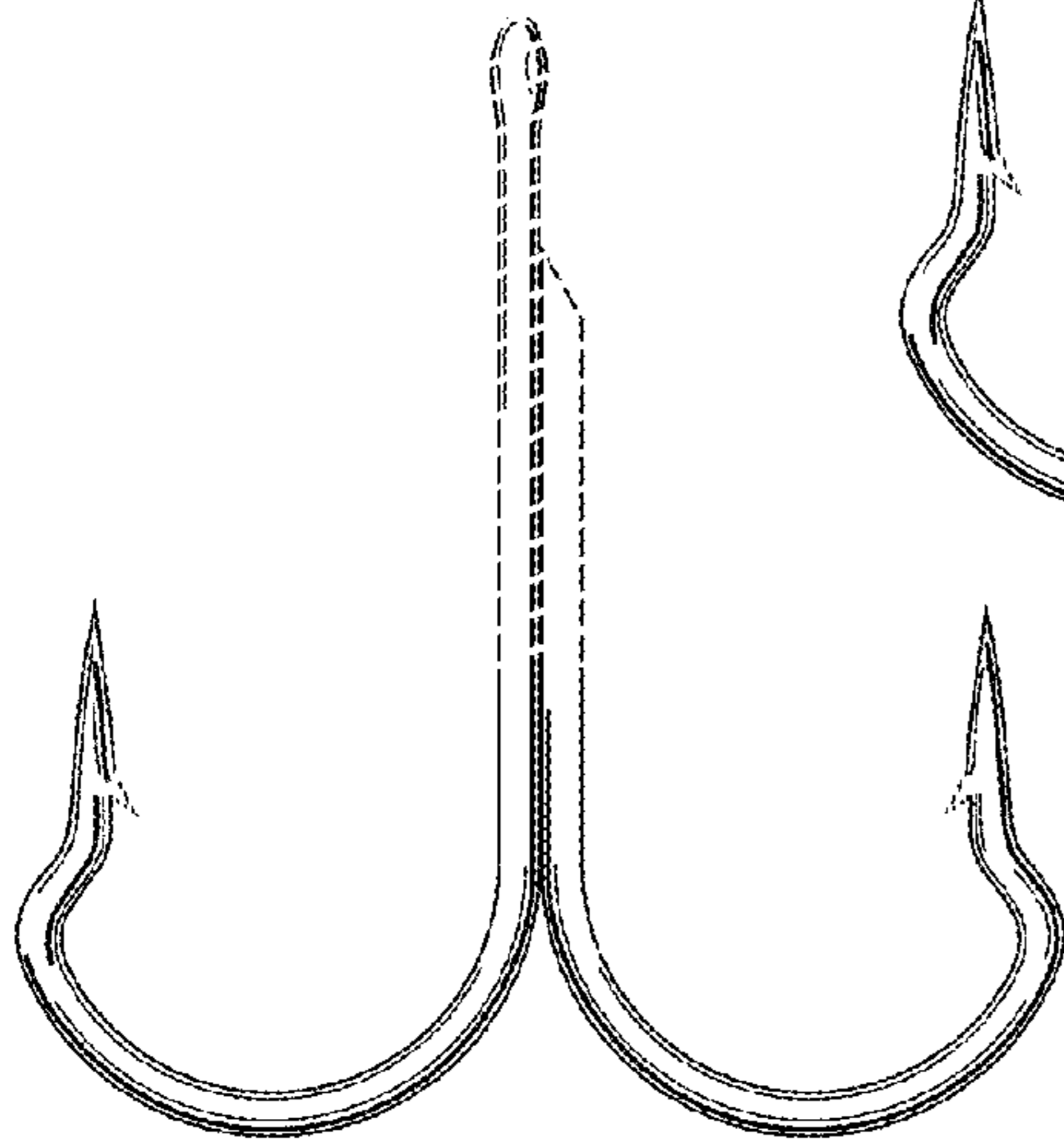


FIGURE 3

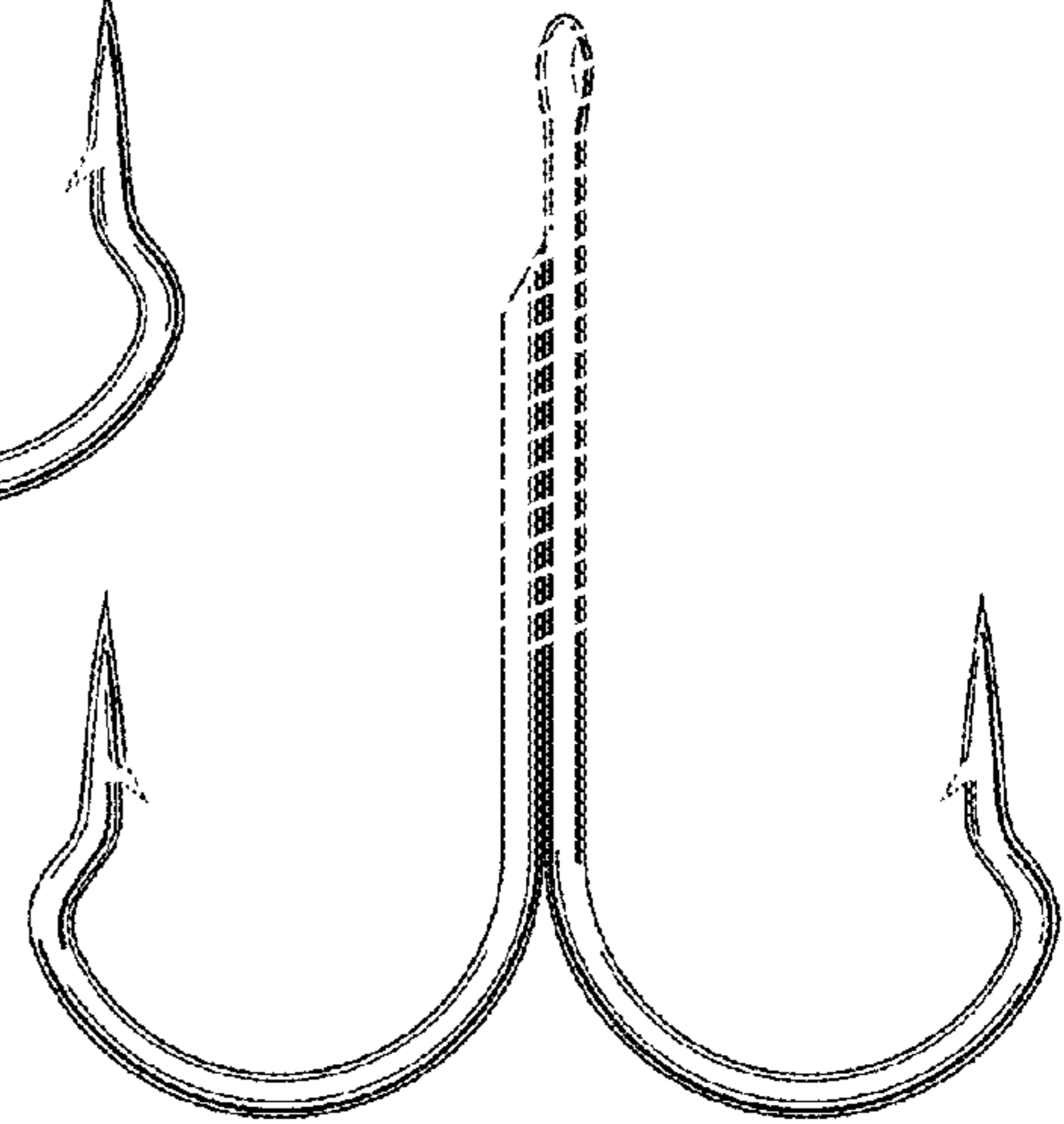


FIGURE 5

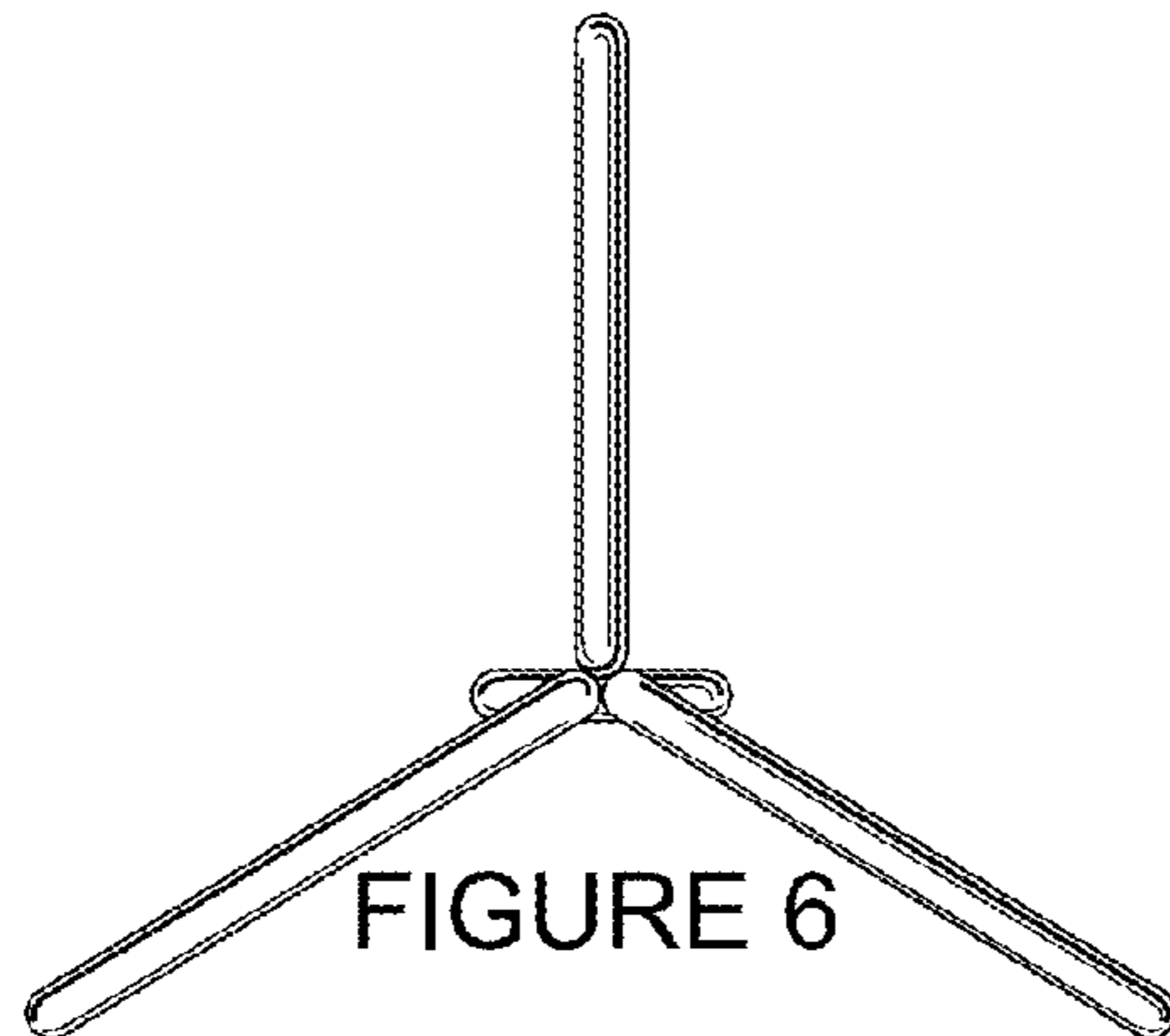


FIGURE 6

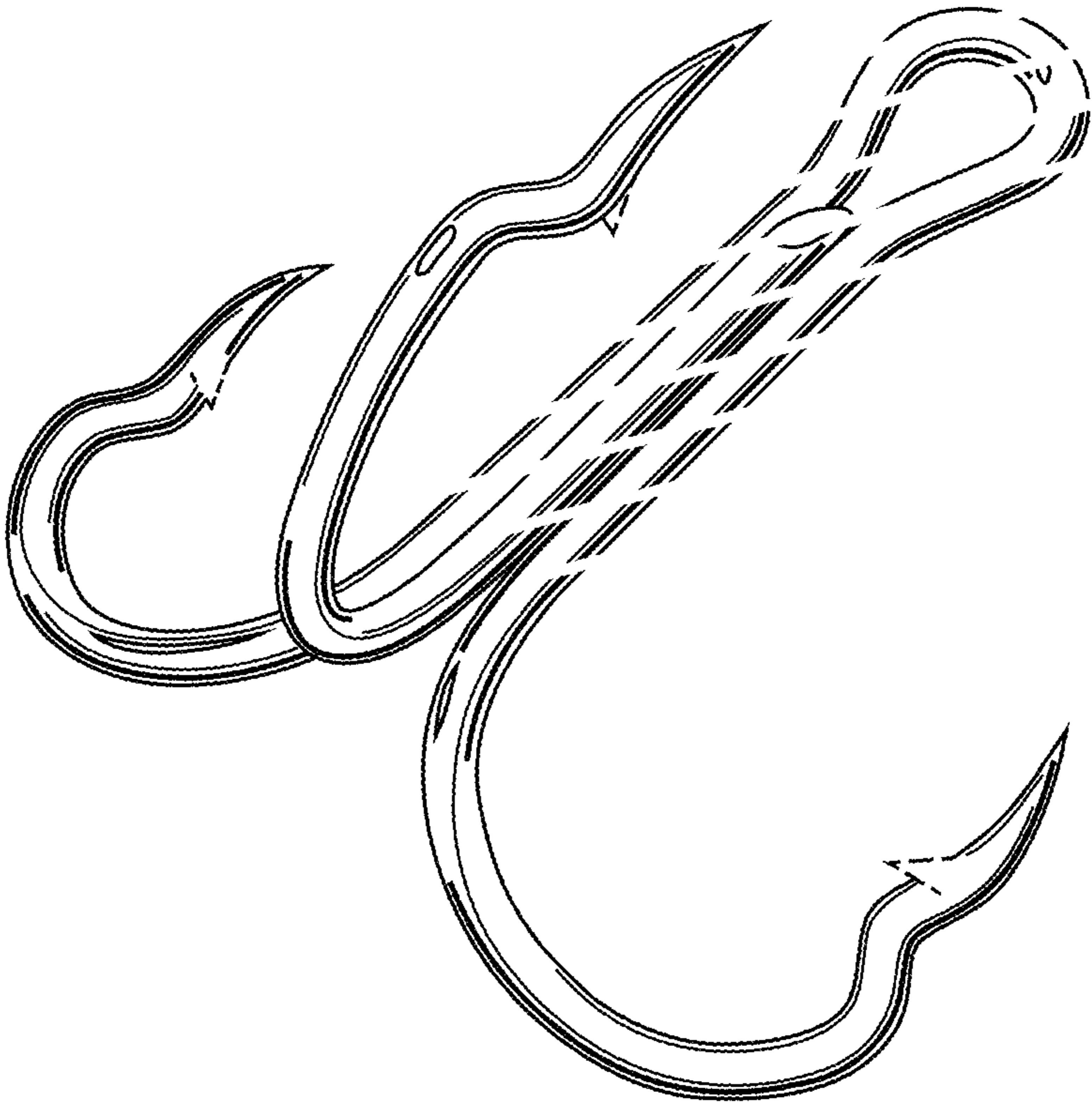


FIGURE 7

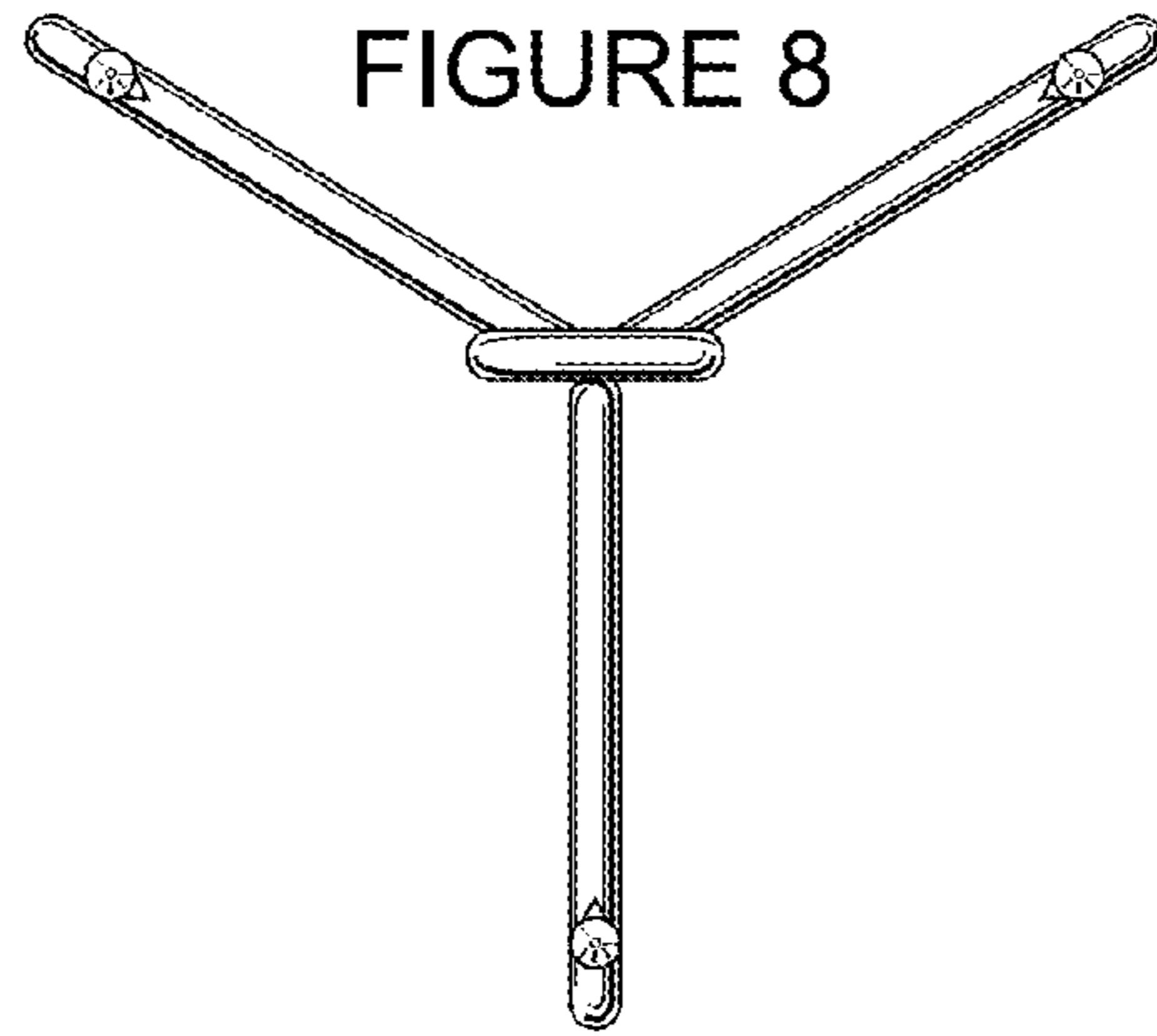


FIGURE 8

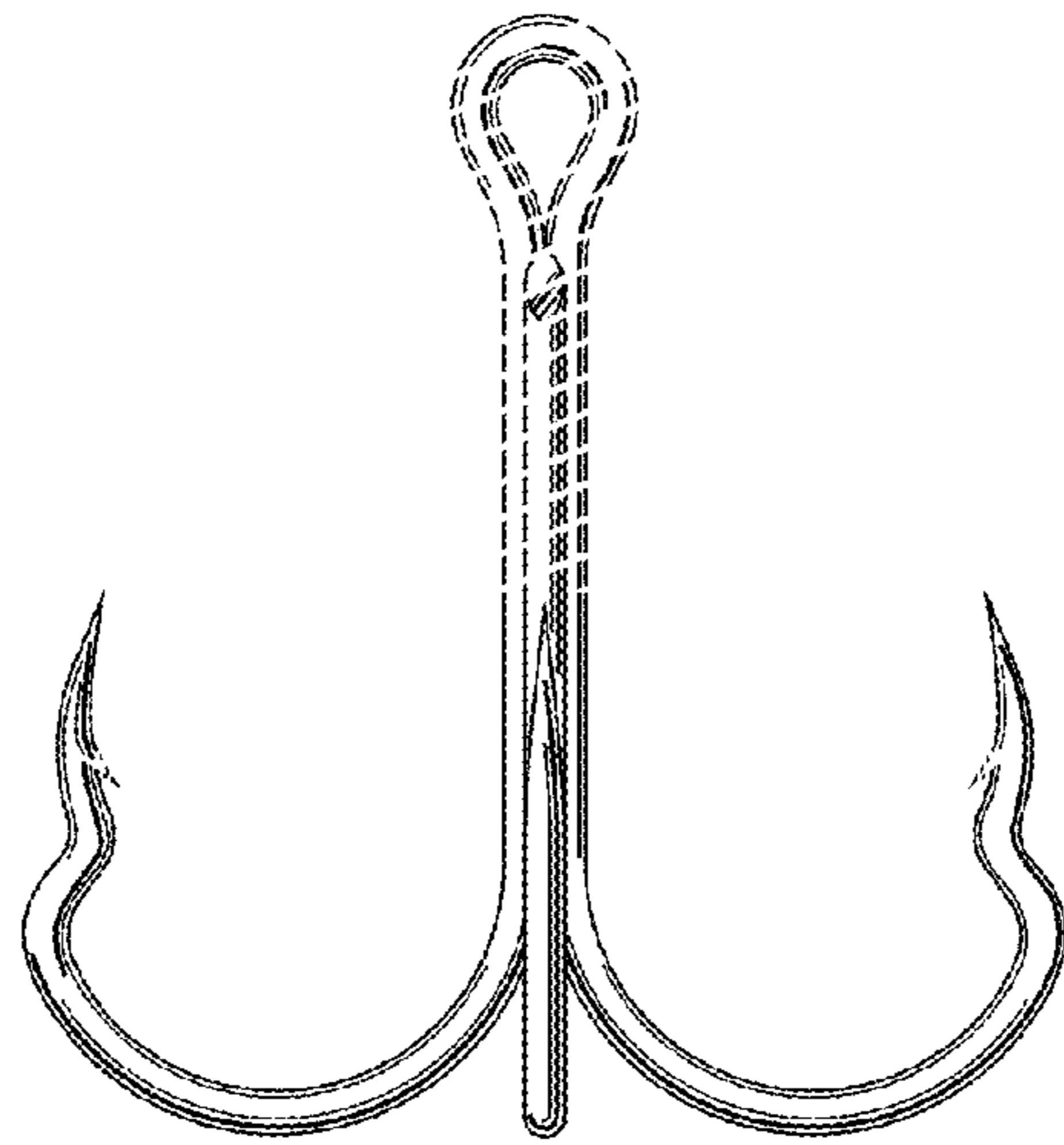


FIGURE 10

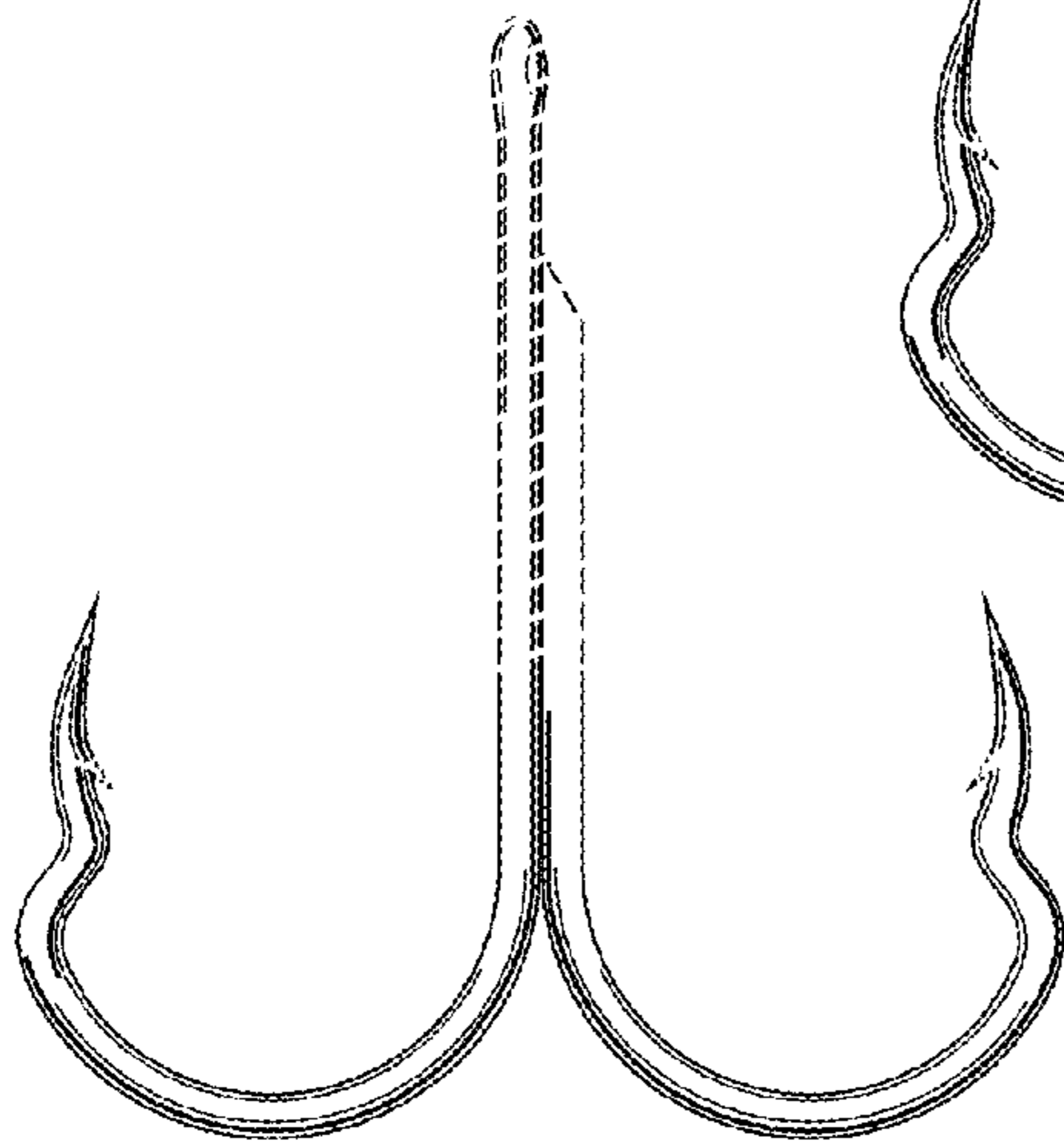


FIGURE 9

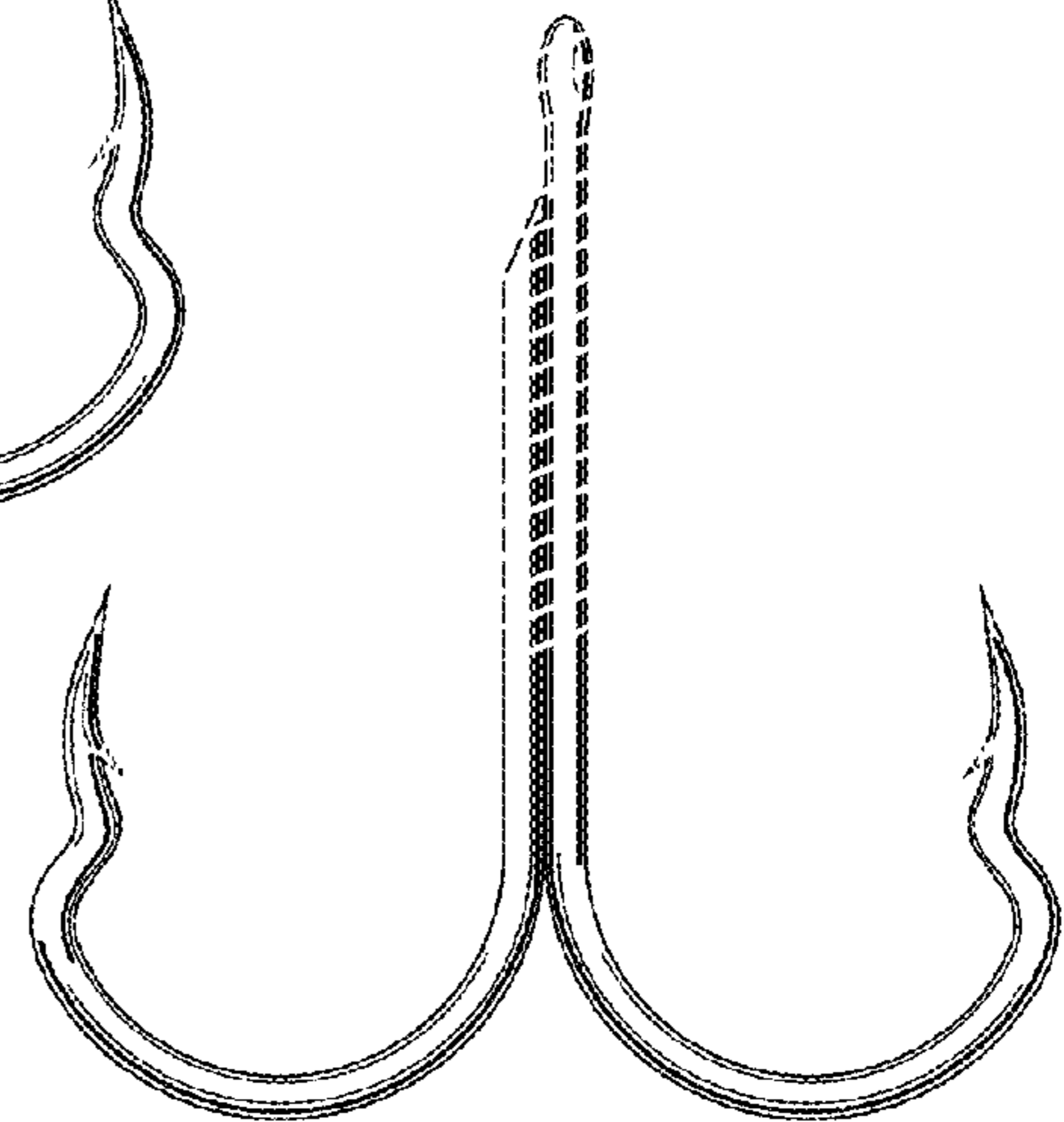


FIGURE 11

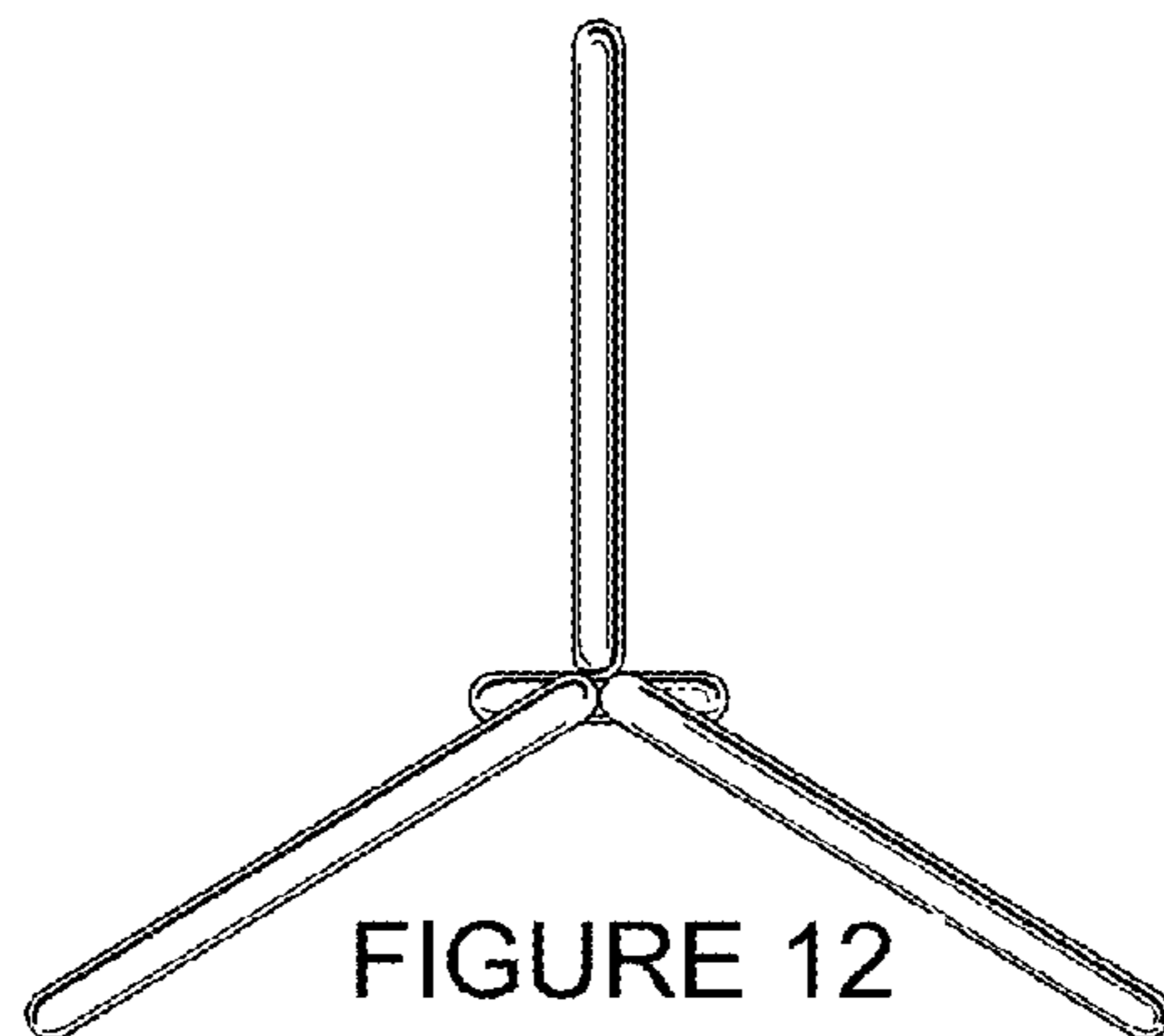


FIGURE 12

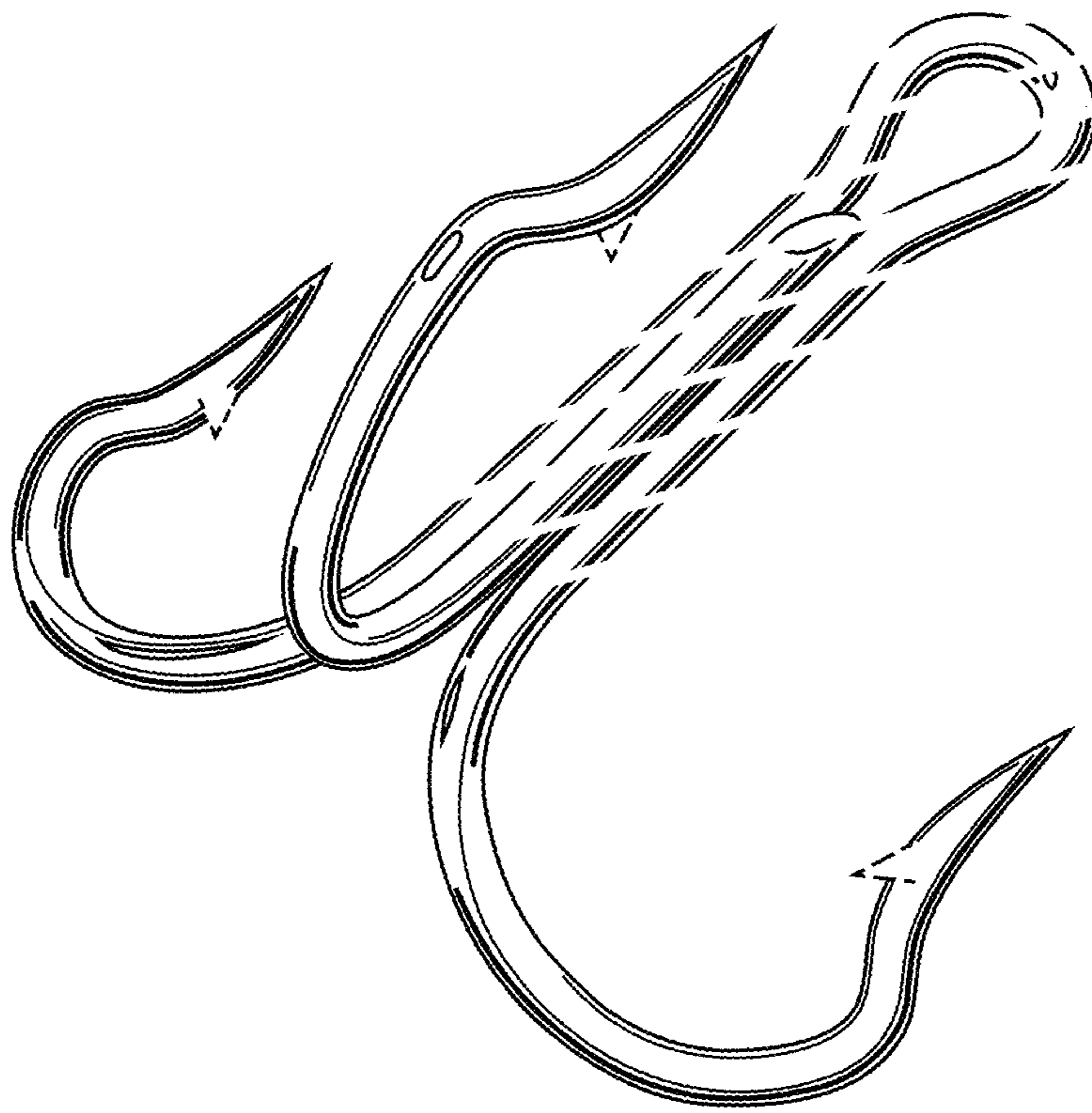


FIGURE 13

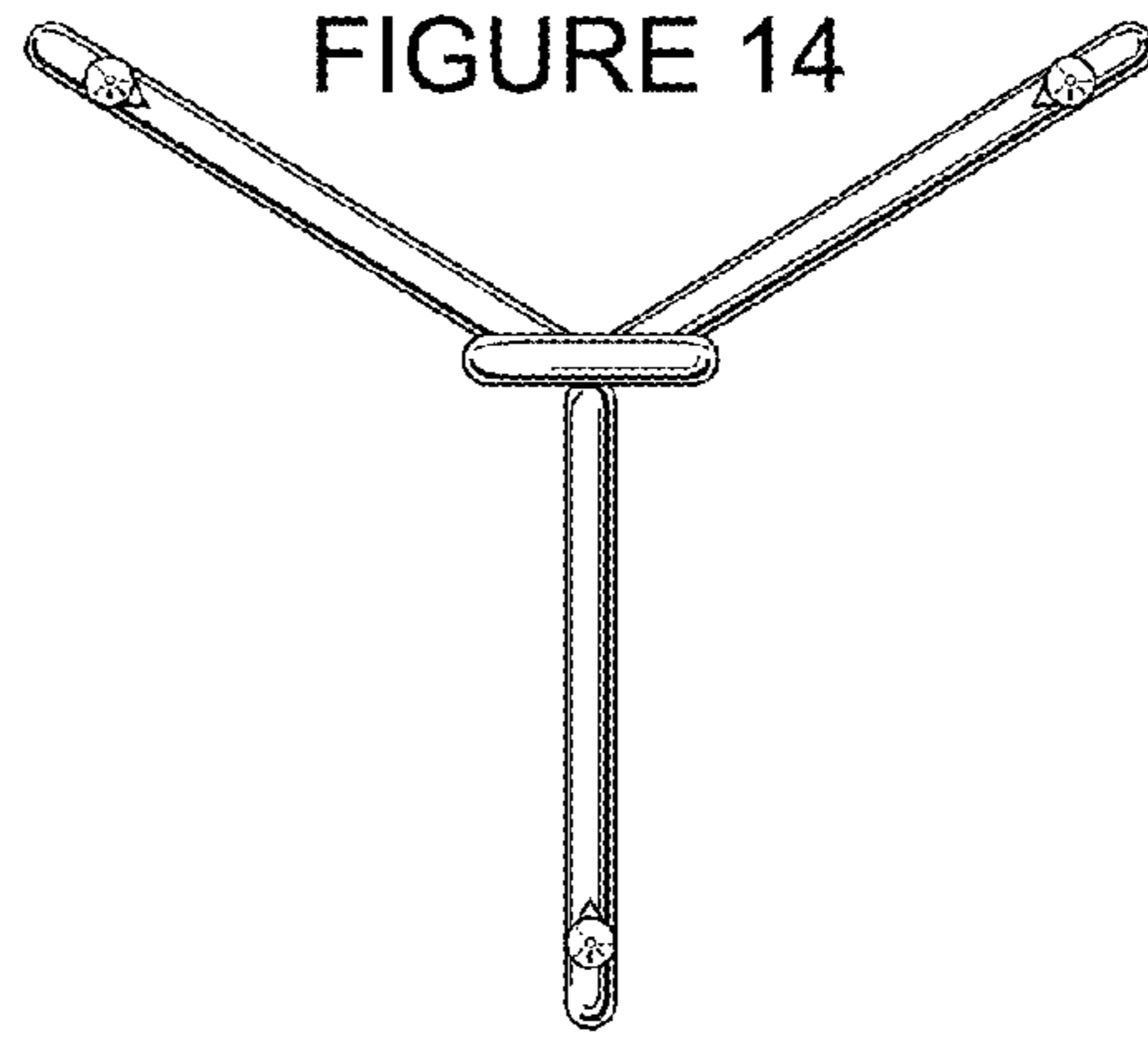


FIGURE 14

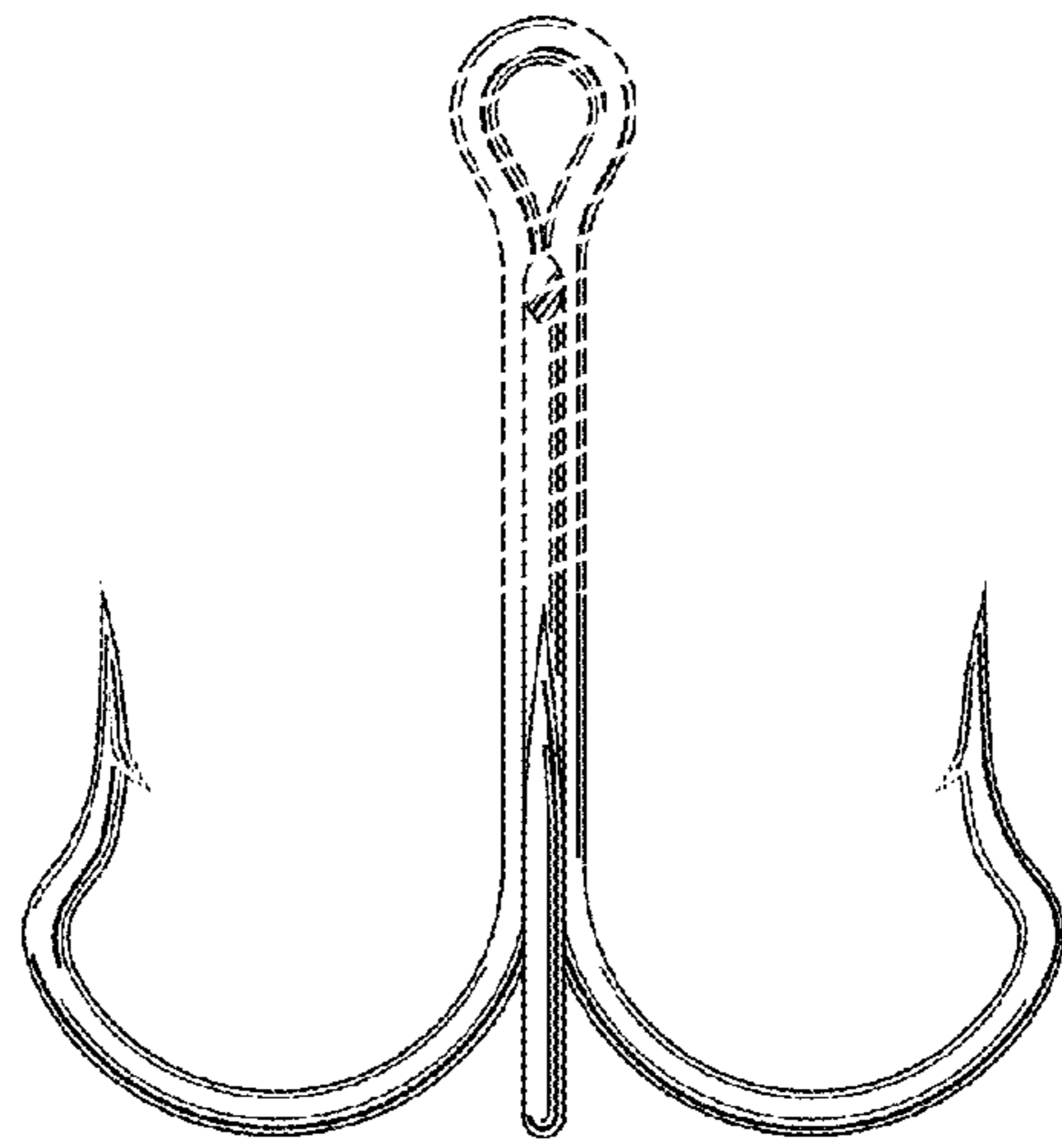


FIGURE 16

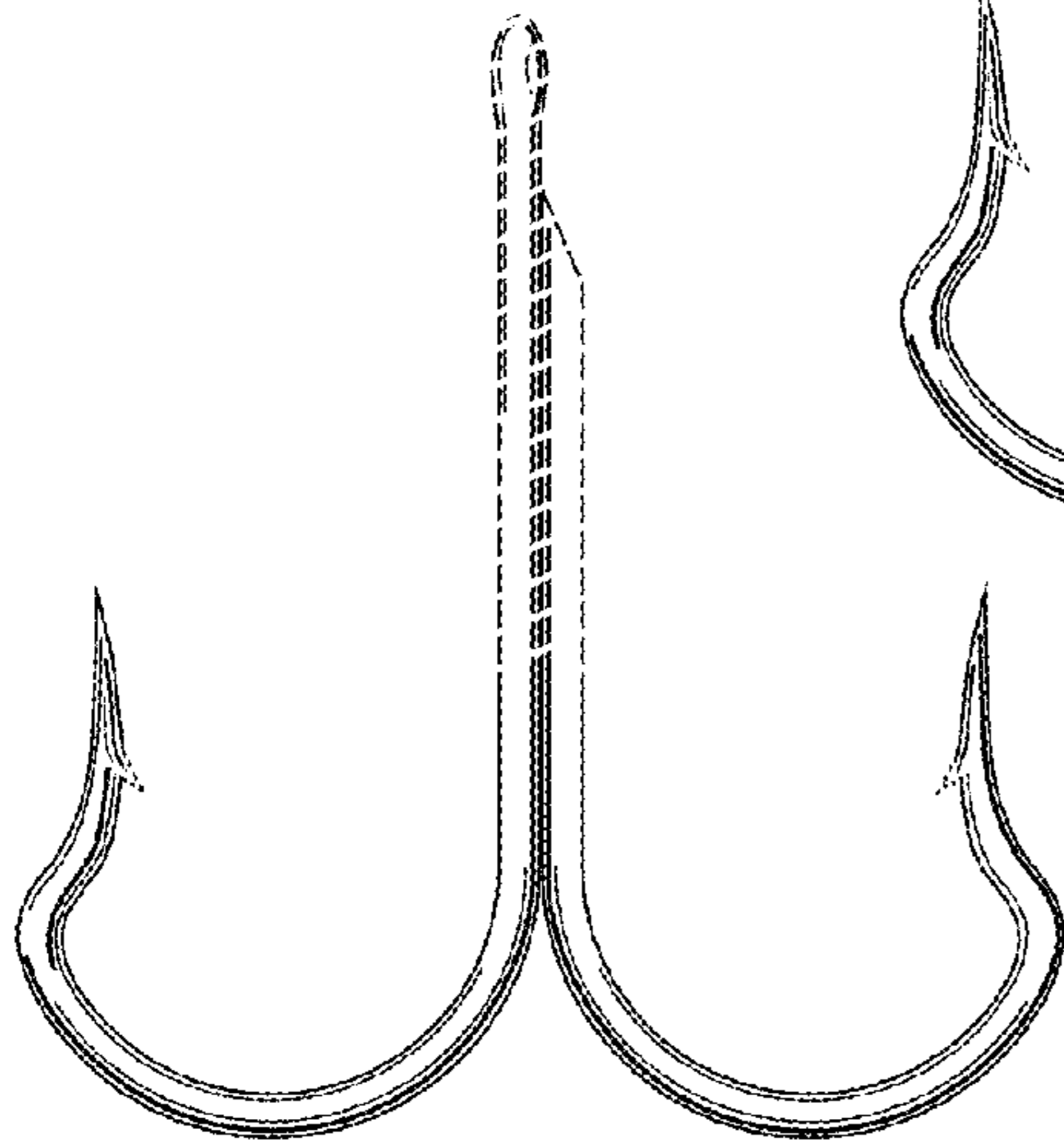


FIGURE 15

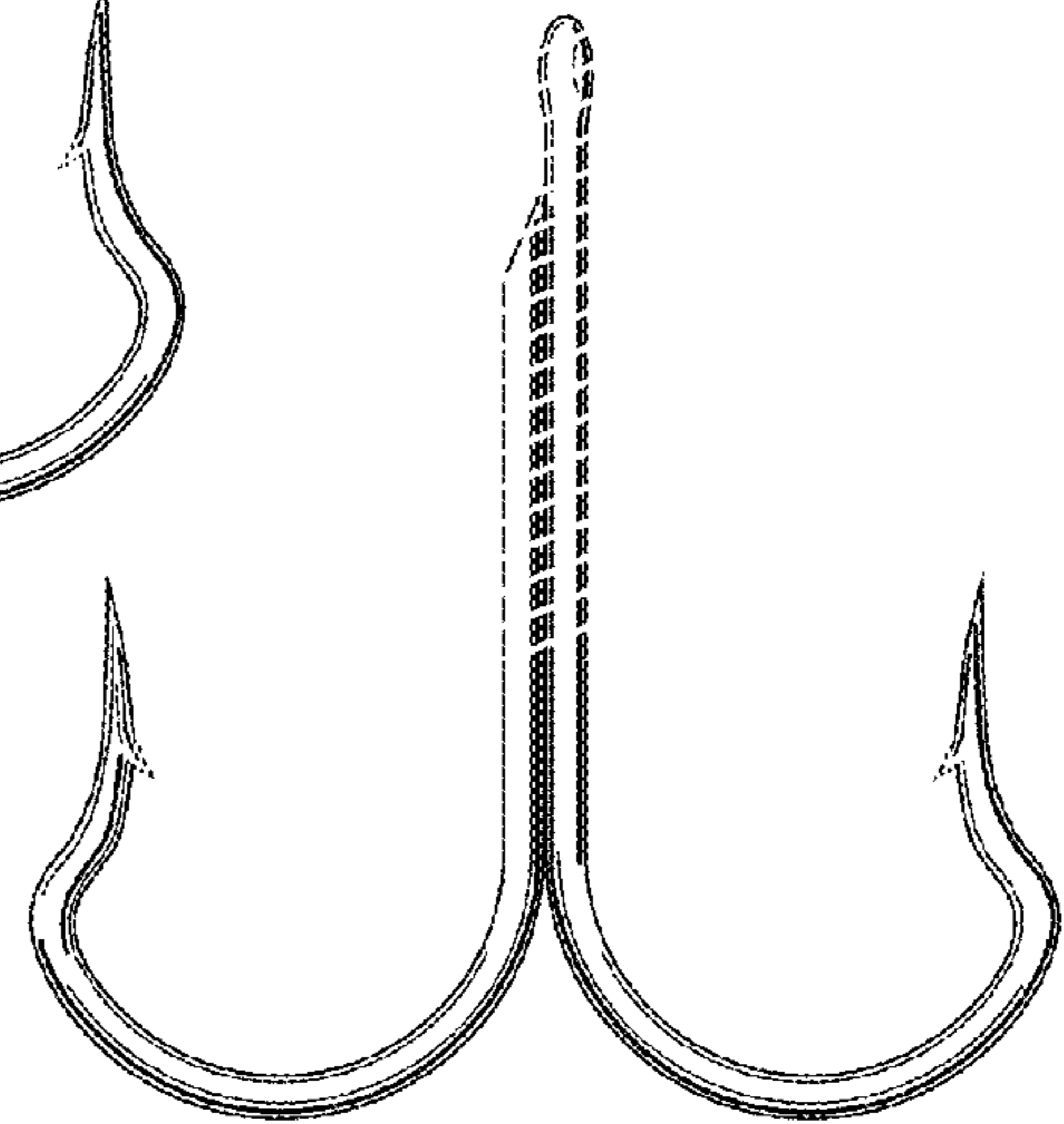


FIGURE 17

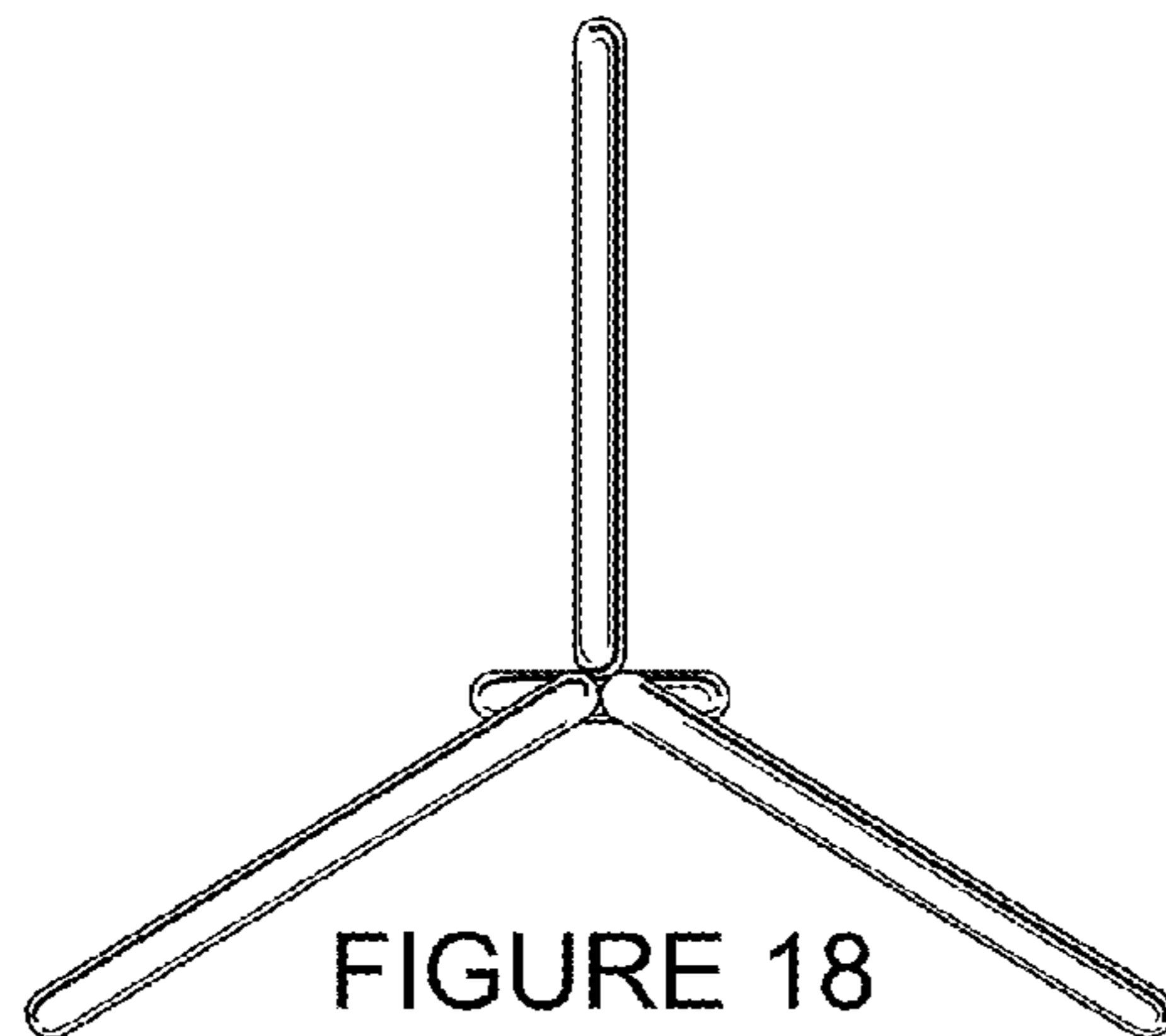


FIGURE 18