



US00D903043S

(12) **United States Design Patent** (10) **Patent No.:** **US D903,043 S**  
**Hu** (45) **Date of Patent:** **\*\* Nov. 24, 2020**

(54) **INSECT AND BUTTERFLY CAGE**  
(71) Applicant: **CHENGDU SIHAI MUZE TECHNOLOGY CO., LTD.**, Chengdu (CN)  
(72) Inventor: **Zuowei Hu**, Chengdu (CN)  
(\*\*) Term: **15 Years**  
(21) Appl. No.: **29/716,939**

2004/0040198 A1\* 3/2004 Harris ..... A01M 1/106  
43/107  
2009/0223116 A1\* 9/2009 Meghji ..... A01M 1/026  
43/118  
2010/0071254 A1\* 3/2010 Calkins ..... A01M 1/145  
43/107  
2011/0283597 A1\* 11/2011 Coventry ..... A01M 1/08  
43/107  
2012/0311919 A1\* 12/2012 Hardigree ..... A01M 1/106  
43/107  
2014/0311015 A1\* 10/2014 Oehlschlager ..... A01M 1/023  
43/114

(22) Filed: **Dec. 13, 2019**  
(51) **LOC (12) Cl.** ..... **22-06**  
(52) **U.S. Cl.**  
USPC ..... **D22/122**  
(58) **Field of Classification Search**  
USPC ..... D22/122; D30/109; 43/107, 113-114,  
43/139; D3/304-305; D32/35-37;  
119/6.5; 232/43.2, 43.4, 43.5;  
220/908-911  
CPC ..... A01M 1/02; A01M 1/08; A01M 1/145;  
A01K 67/033  
See application file for complete search history.

**OTHER PUBLICATIONS**

Restcloud Insect and Butterfly Habitat Cage Terrarium Pop-up 24 inches Tall With Sleeve, Amazon.com, Earliest Review Oct. 20, 2017 (Year: 2017).\*

(Continued)

*Primary Examiner* — Catherine R Oliver-Garcia  
(74) *Attorney, Agent, or Firm* — Erson IP (Nelson IP)

(57) **CLAIM**

The ornamental design for an insect and butterfly cage, as shown and described.

(56) **References Cited**

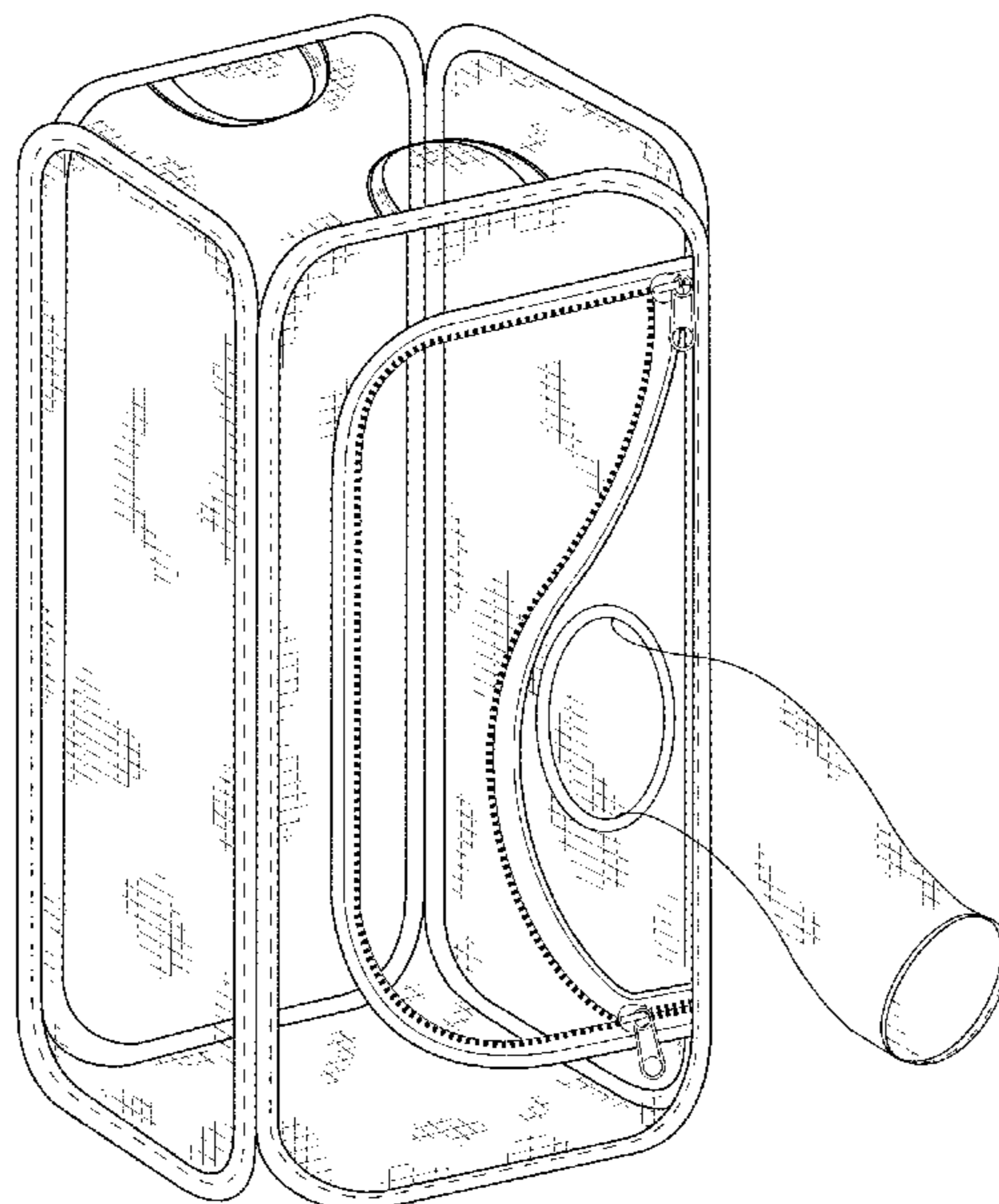
**U.S. PATENT DOCUMENTS**

985,840 A \* 3/1911 Rockley ..... 43/118  
3,959,914 A \* 6/1976 Kaveloski ..... A01M 1/02  
43/118  
D265,416 S \* 7/1982 Jackson ..... D22/122  
D281,283 S 11/1985 Cazier  
D317,518 S 6/1991 Kohus  
D344,126 S \* 2/1994 Tomasevich ..... D22/122  
5,363,589 A \* 11/1994 Flynn ..... A01M 1/02  
43/107  
D494,367 S \* 8/2004 Yang ..... D3/305  
D499,164 S \* 11/2004 Lillard ..... D22/136  
D507,621 S \* 7/2005 Beech ..... D22/136  
D551,452 S \* 9/2007 Kellogg ..... D3/304  
D739,656 S \* 9/2015 Krotts ..... D3/305

**DESCRIPTION**

FIG. 1 is a perspective view of open state of an insect and butterfly cage showing my new design;  
FIG. 2 is a front view thereof;  
FIG. 3 is a rear view thereof;  
FIG. 4 is a left side view thereof;  
FIG. 5 is a right side view thereof;  
FIG. 6 is a top plan view thereof; and,  
FIG. 7 is a bottom plan, view thereof.  
The broken lines are representing stitching of the insect and butterfly cage and the broken lines form no part of the claimed design.

**1 Claim, 7 Drawing Sheets**



(56)

**References Cited**

OTHER PUBLICATIONS

1x Butterfly Insects Habitat Cage Terrarium Pop-Up Mesh White  
40x30x40cm, Ebay.com, 1995-2020.\*  
Deluxe Butterfly Habitat Complete Kit (with perishables), Carolina.  
com (Year: 2020).\*  
Educational Science Giant Butterfly Cage, Pop-Up, 23-in x23-om  
x46-inch, BC102, Sirwis.com, 2019-2020.\*  
Butterfly Habitat 12x12x24, Etsy.com, (Year: 2017).\*

\* cited by examiner

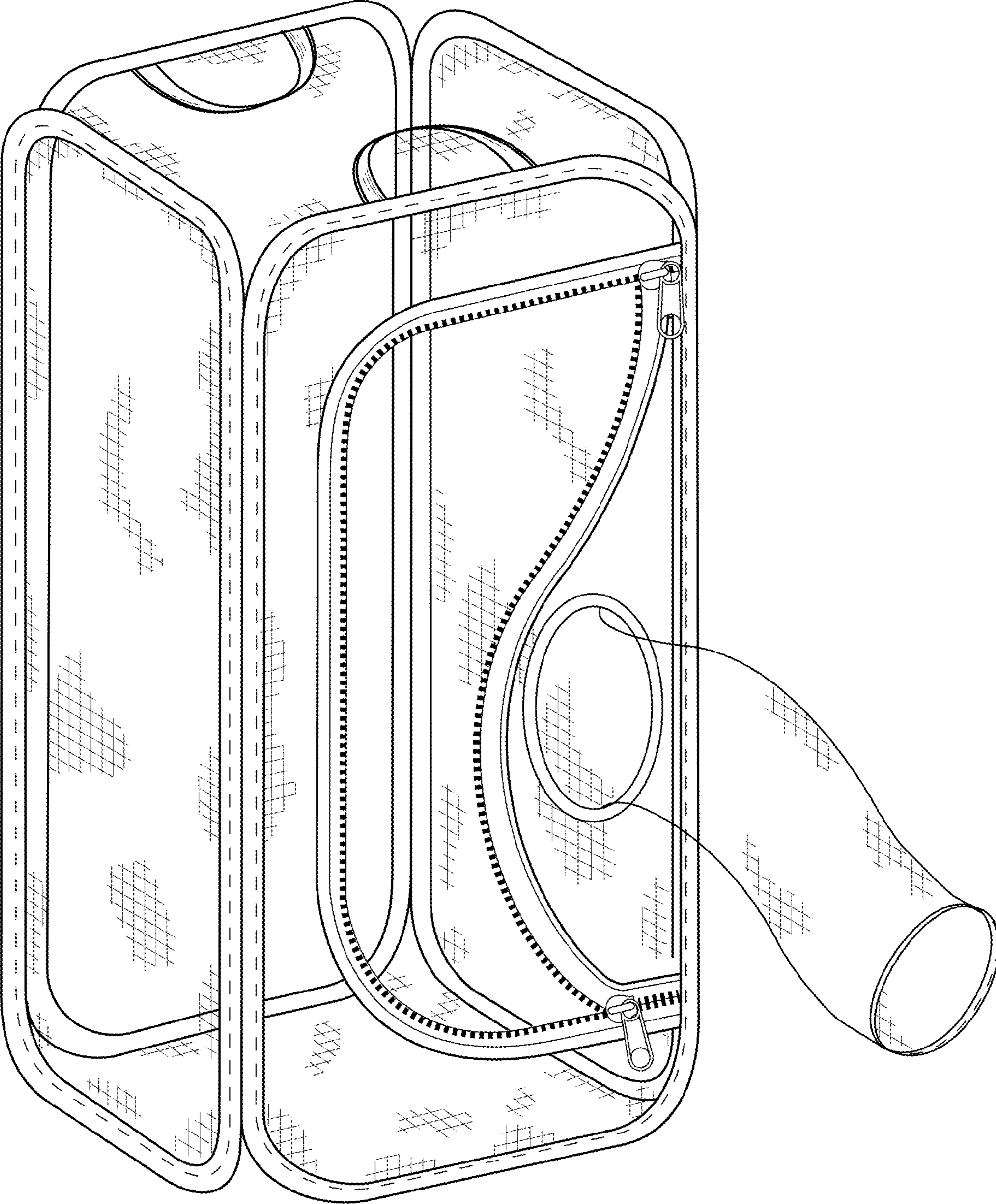


FIG. 1

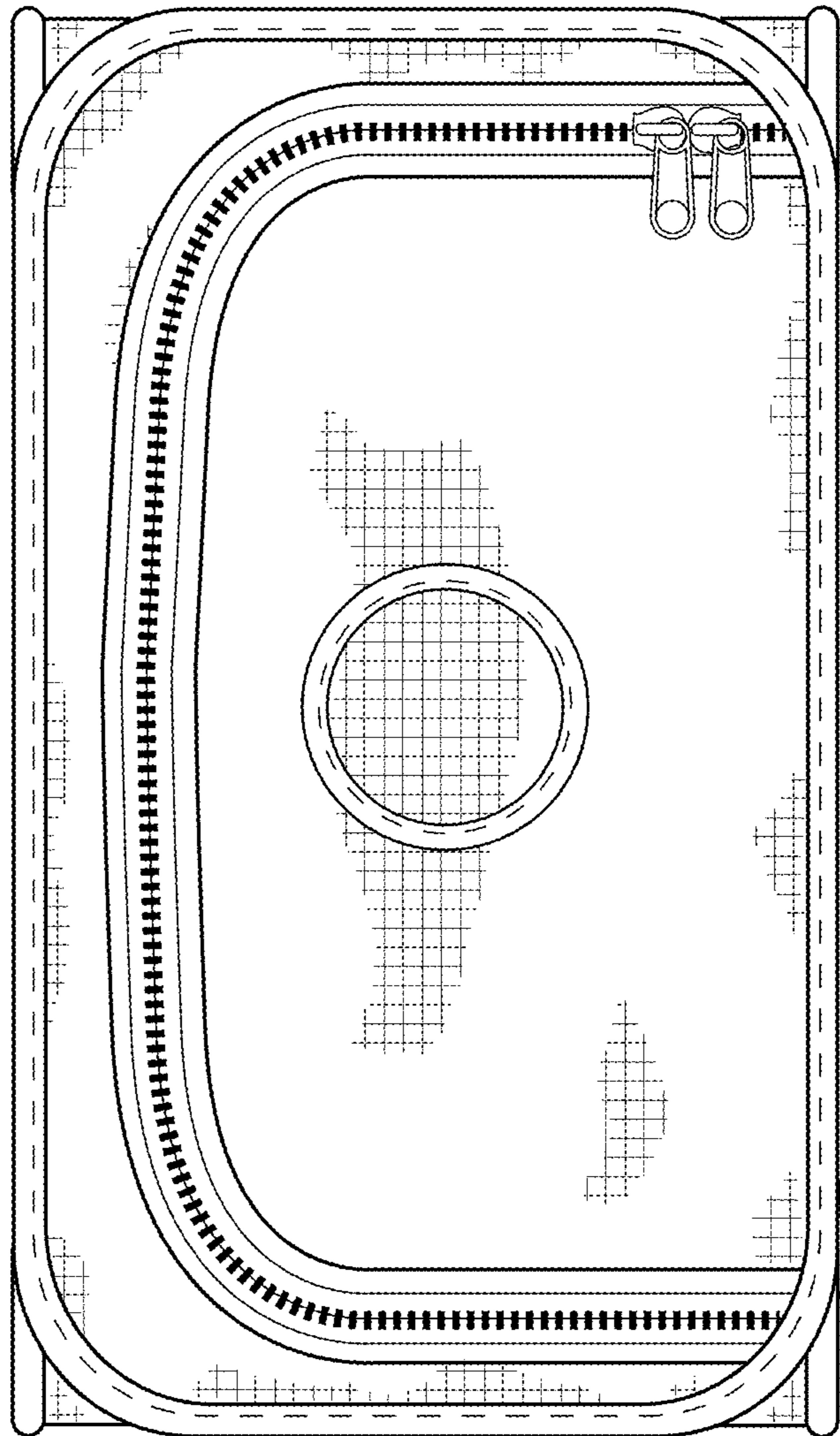


FIG. 2

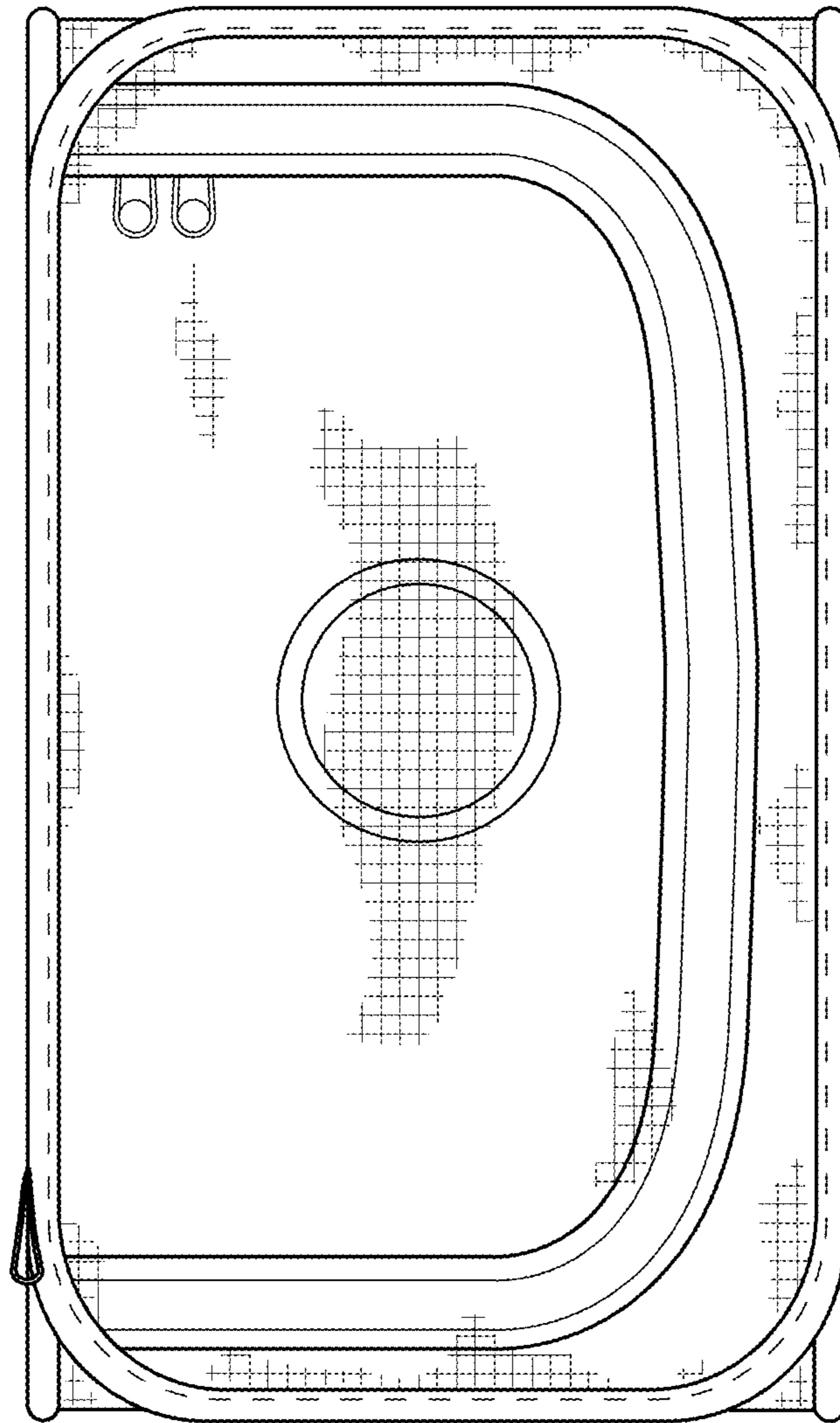


FIG. 3

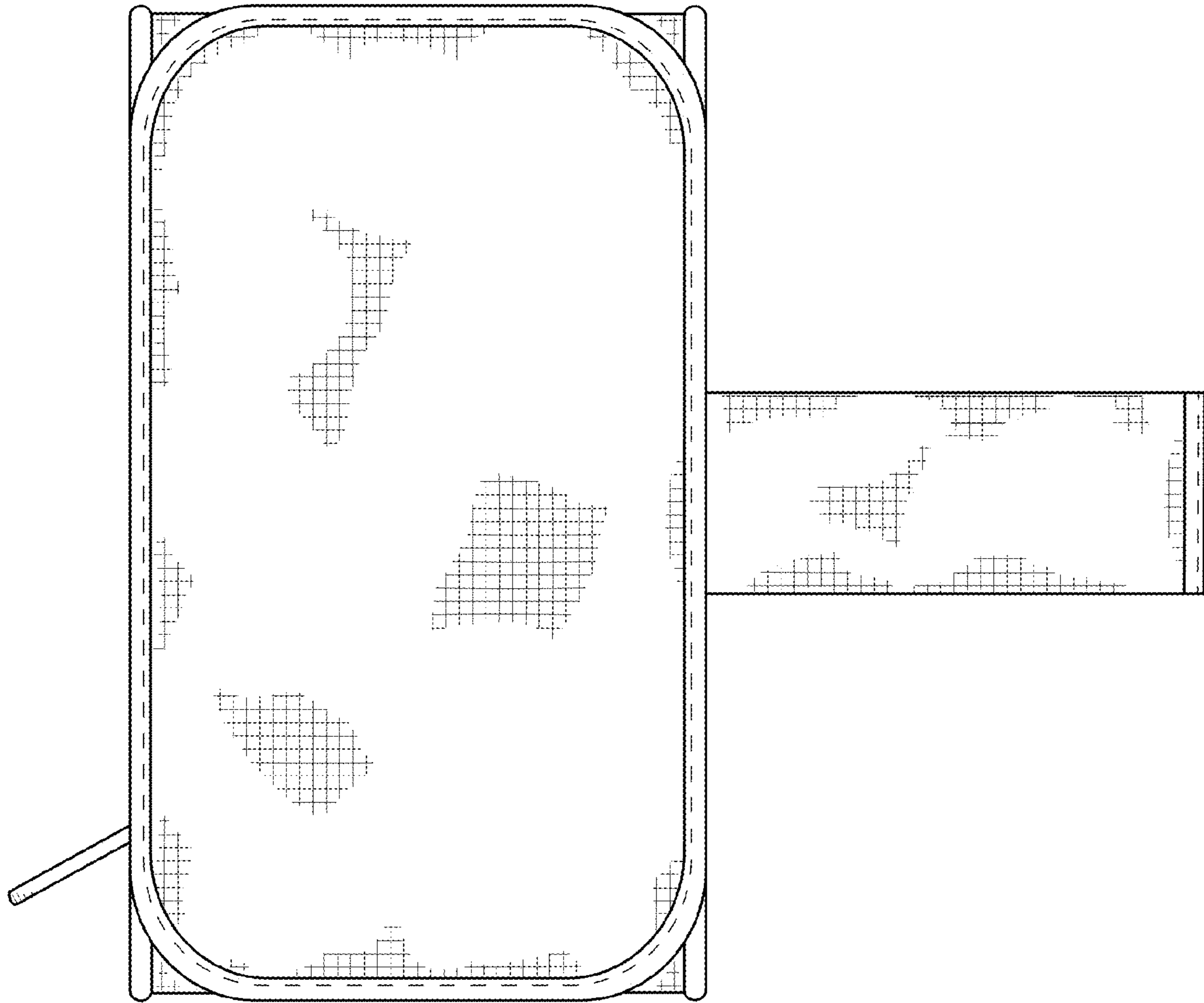


FIG. 4

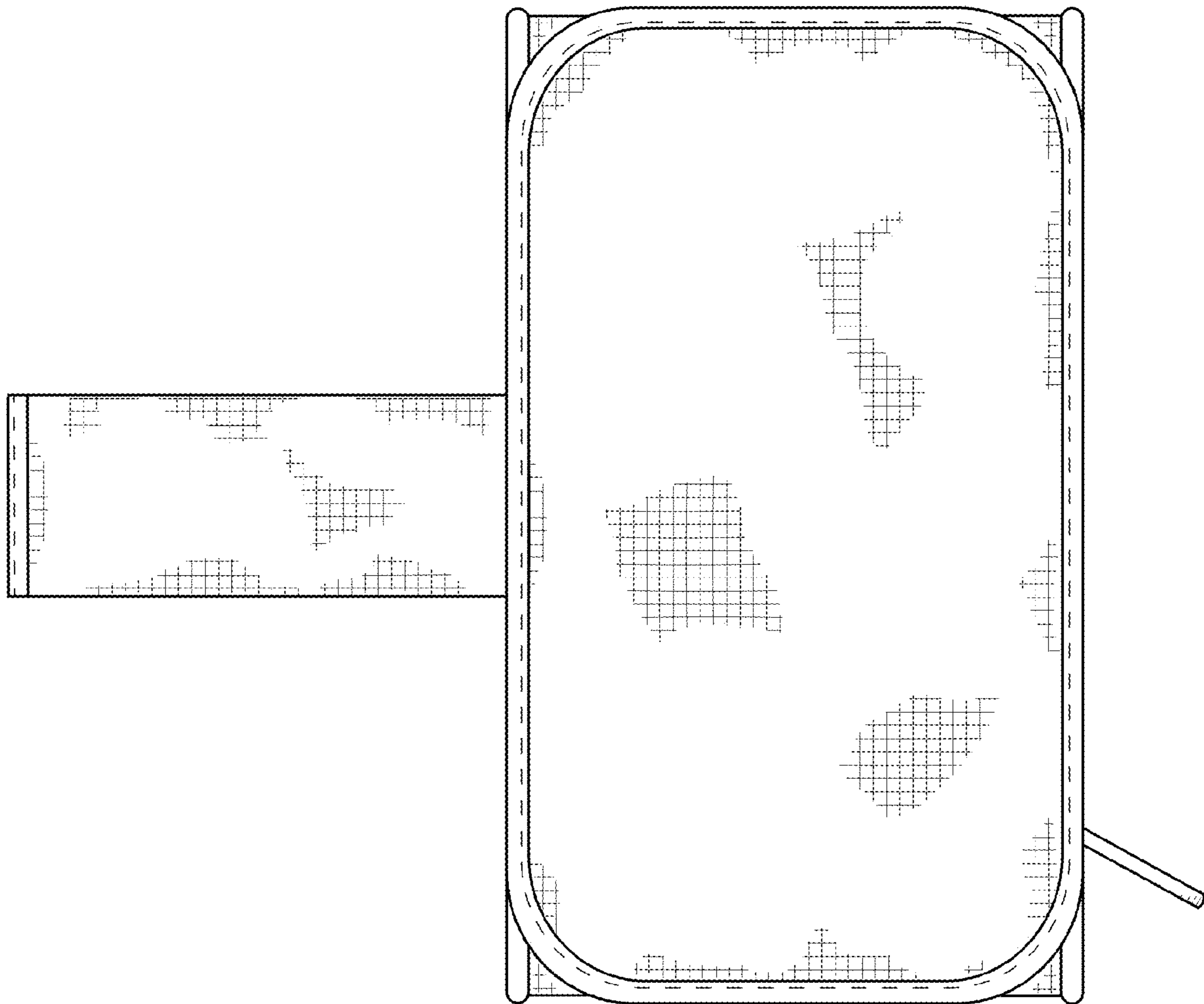


FIG. 5

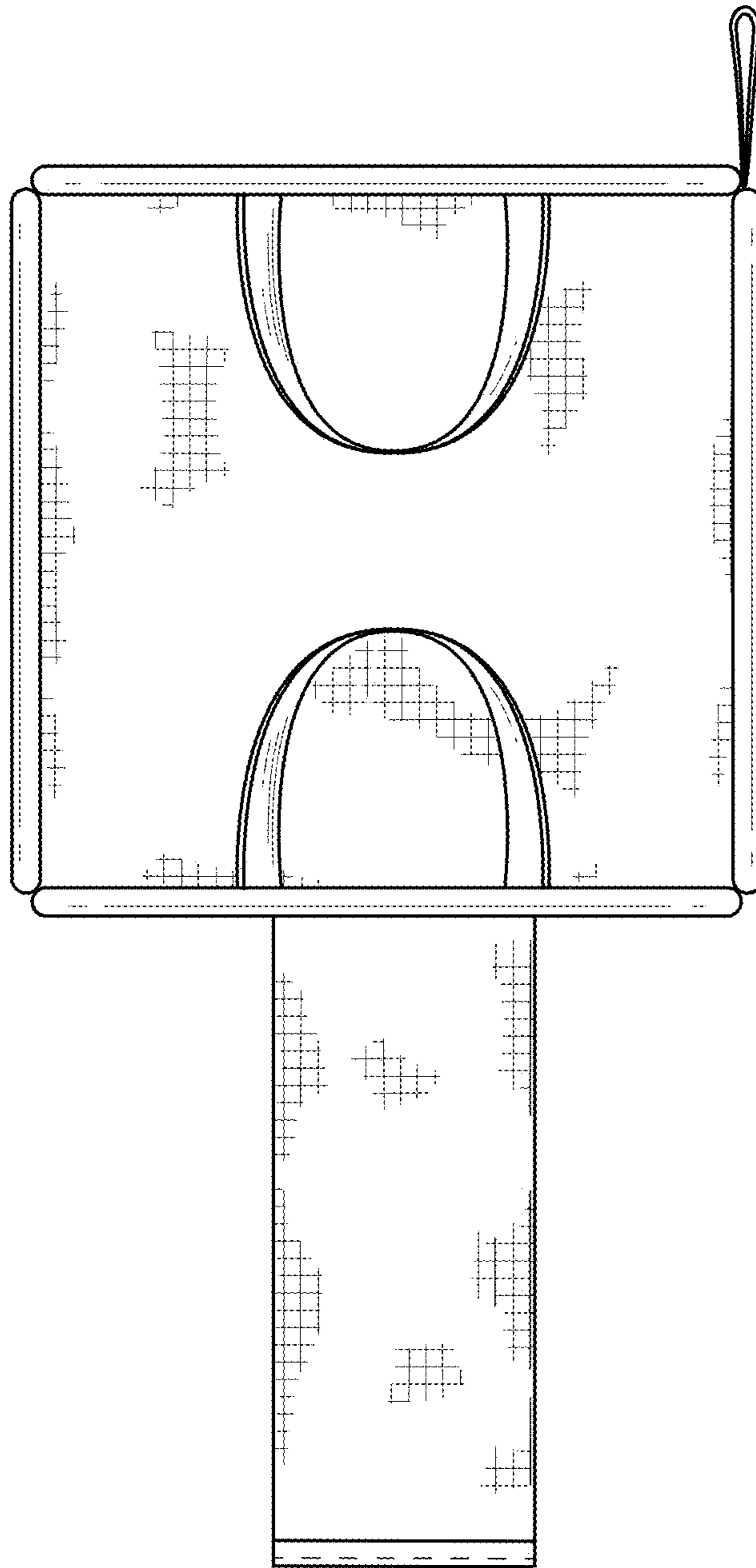


FIG. 6



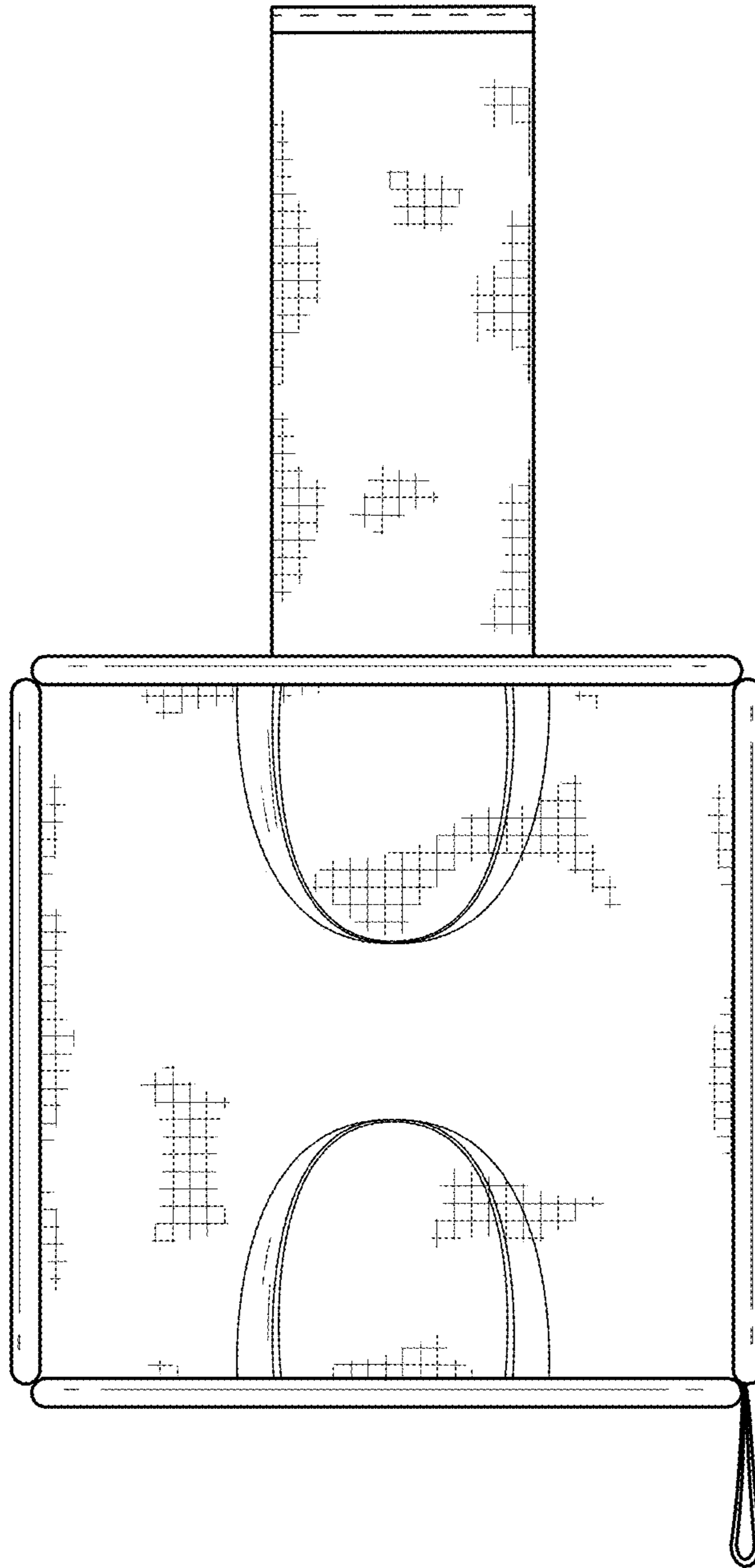


FIG. 7