



US00D903042S

(12) **United States Design Patent** (10) **Patent No.:** **US D903,042 S**  
**McGrade** (45) **Date of Patent:** **\*\* Nov. 24, 2020**

(54) **ADJUSTABLE VERMIN TRAP** 7,204,053 B1 \* 4/2007 Holtgreffe, Sr. .... A01M 23/265  
43/88

(71) Applicant: **Michael McGrade**, West Covina, CA D614,725 S \* 4/2010 James ..... D22/119  
(US) D616,958 S \* 6/2010 Huang ..... D22/119  
D770,006 S \* 10/2016 Tian ..... D22/119  
D794,742 S \* 8/2017 DiBona ..... D22/119  
D863,493 S \* 10/2019 Le Laidier ..... D22/119

(72) Inventor: **Michael McGrade**, West Covina, CA 2006/0150471 A1 \* 7/2006 Holtgreffe, Sr. .... A01M 27/00  
(US) 43/88

(\*\*) Term: **15 Years** 2008/0236024 A1 \* 10/2008 Ouellette ..... A01M 23/30  
43/81

(21) Appl. No.: **29/700,122** 2014/0230312 A1 \* 8/2014 Le Laidier ..... A01M 23/30  
43/82

(22) Filed: **Jul. 31, 2019**

(51) **LOC (12) Cl.** ..... **22-06**

(52) **U.S. Cl.**  
USPC ..... **D22/119**

(58) **Field of Classification Search**  
USPC ..... D22/119–120; 43/58, 70, 77, 81, 85,  
43/88–89, 91, 94–95, 96–97  
CPC ..... A01M 23/00; A01M 23/26; A01M 23/30;  
A01M 23/24; A01M 23/36; A01M  
23/265; A01M 27/00  
See application file for complete search history.

\* cited by examiner

*Primary Examiner* — Catherine R Oliver-Garcia  
(74) *Attorney, Agent, or Firm* — Mark S. Hubert

(57) **CLAIM**

I claim the ornamental design for the adjustable vermin trap, as shown and described.

**DESCRIPTION**

FIG. 1 is a perspective view of the adjustable vermin trap showing my new design;  
FIG. 2 is a front view of the adjustable vermin trap;  
FIG. 3 is a rear view of the adjustable vermin trap;  
FIG. 4 is a left-side view of the adjustable vermin trap;  
FIG. 5 is a right-side view of the adjustable vermin trap;  
FIG. 6 is a top view of the adjustable vermin trap; and,  
FIG. 7 is a bottom view of the adjustable vermin trap.  
The lines disclosed in FIG. 1 are merely for contour purposes only, and do not form part of the claimed design.

**1 Claim, 7 Drawing Sheets**

(56) **References Cited**

U.S. PATENT DOCUMENTS

2,060,947 A \* 11/1936 Morrow ..... A01M 23/36  
43/77

4,349,980 A \* 9/1982 McKee ..... A01M 23/30  
43/75

D469,146 S \* 1/2003 Schroedl ..... D22/119

7,104,005 B2 \* 9/2006 Holtgreffe, Sr. .... A01M 23/265  
43/85

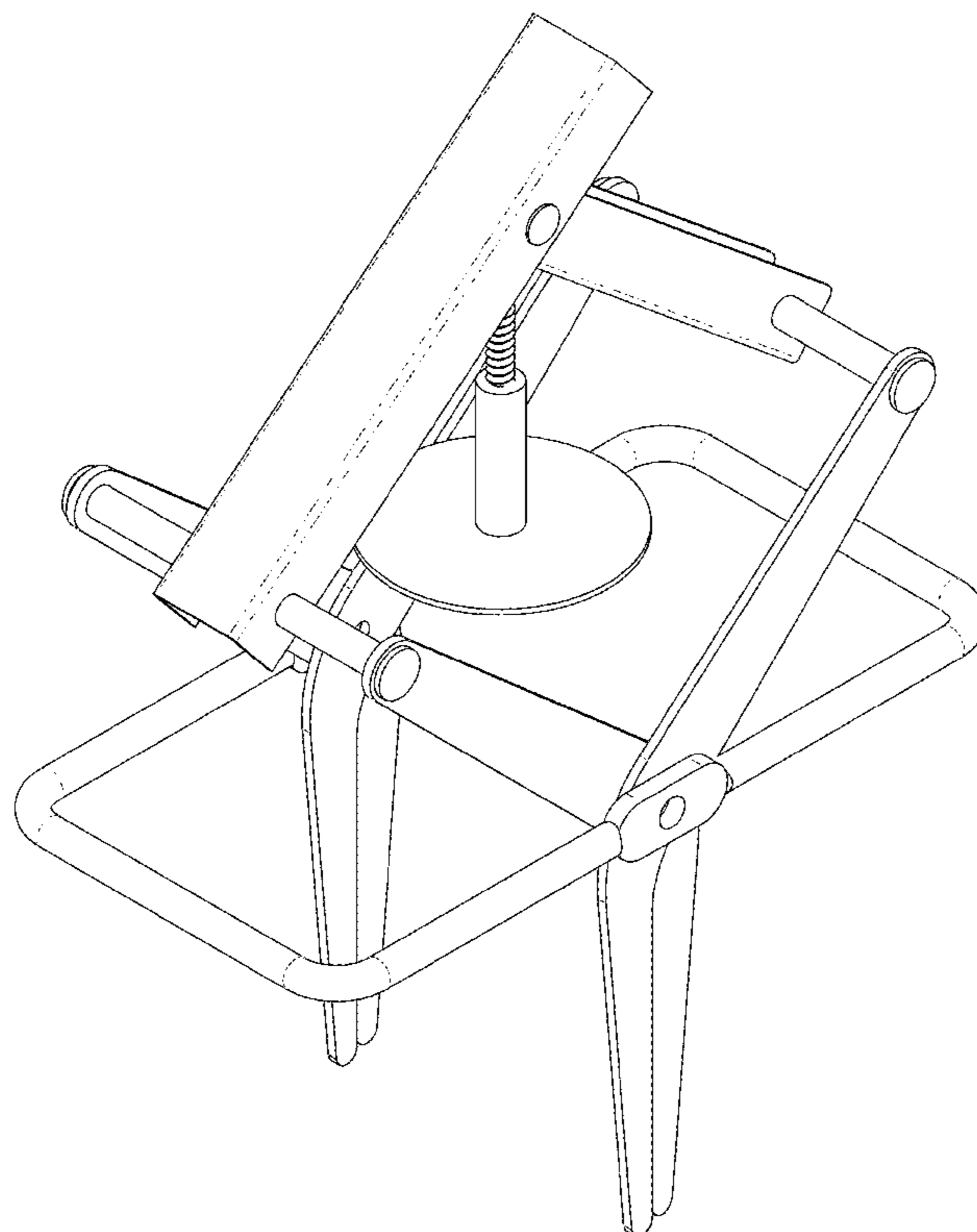


FIG. 1

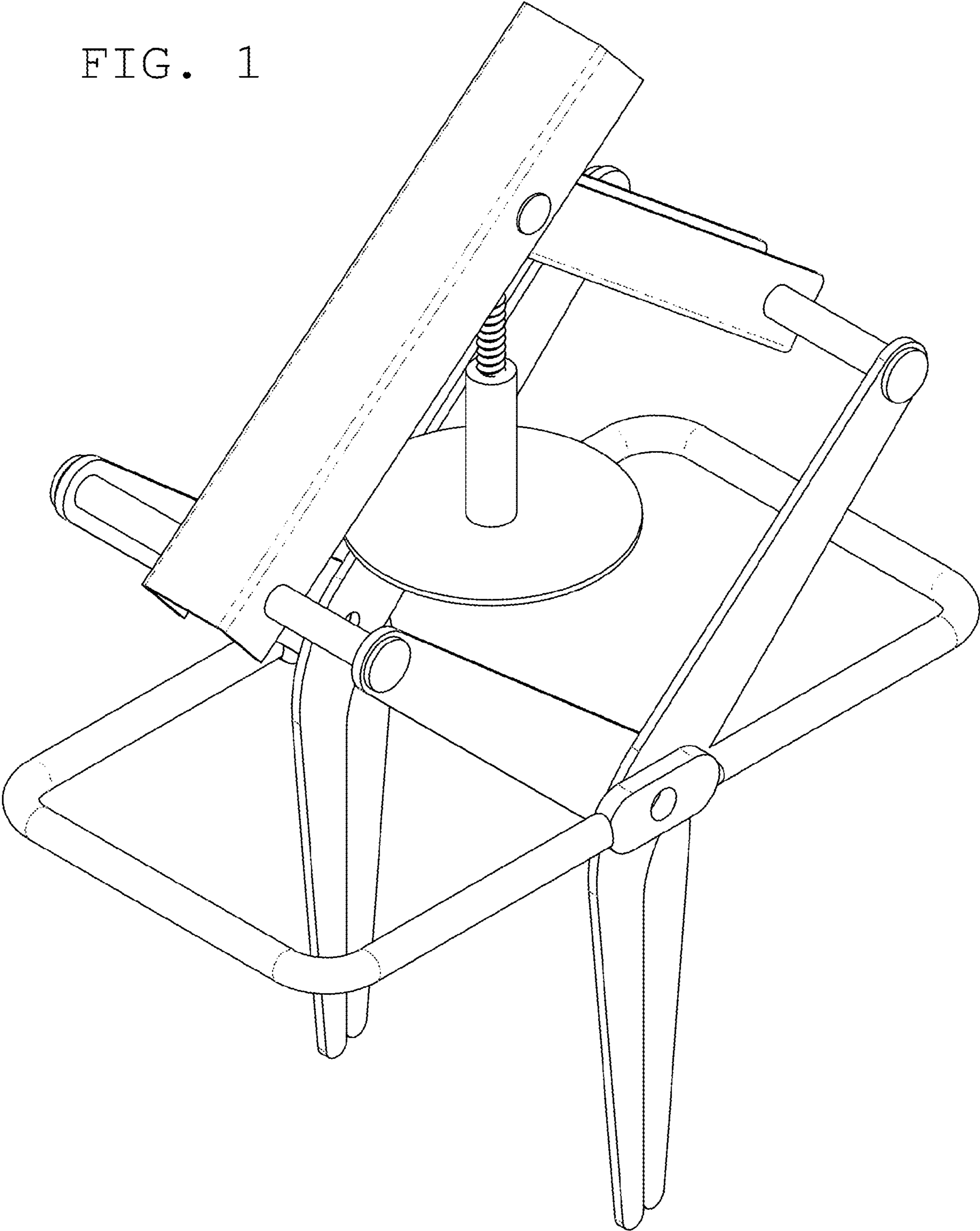


FIG. 2

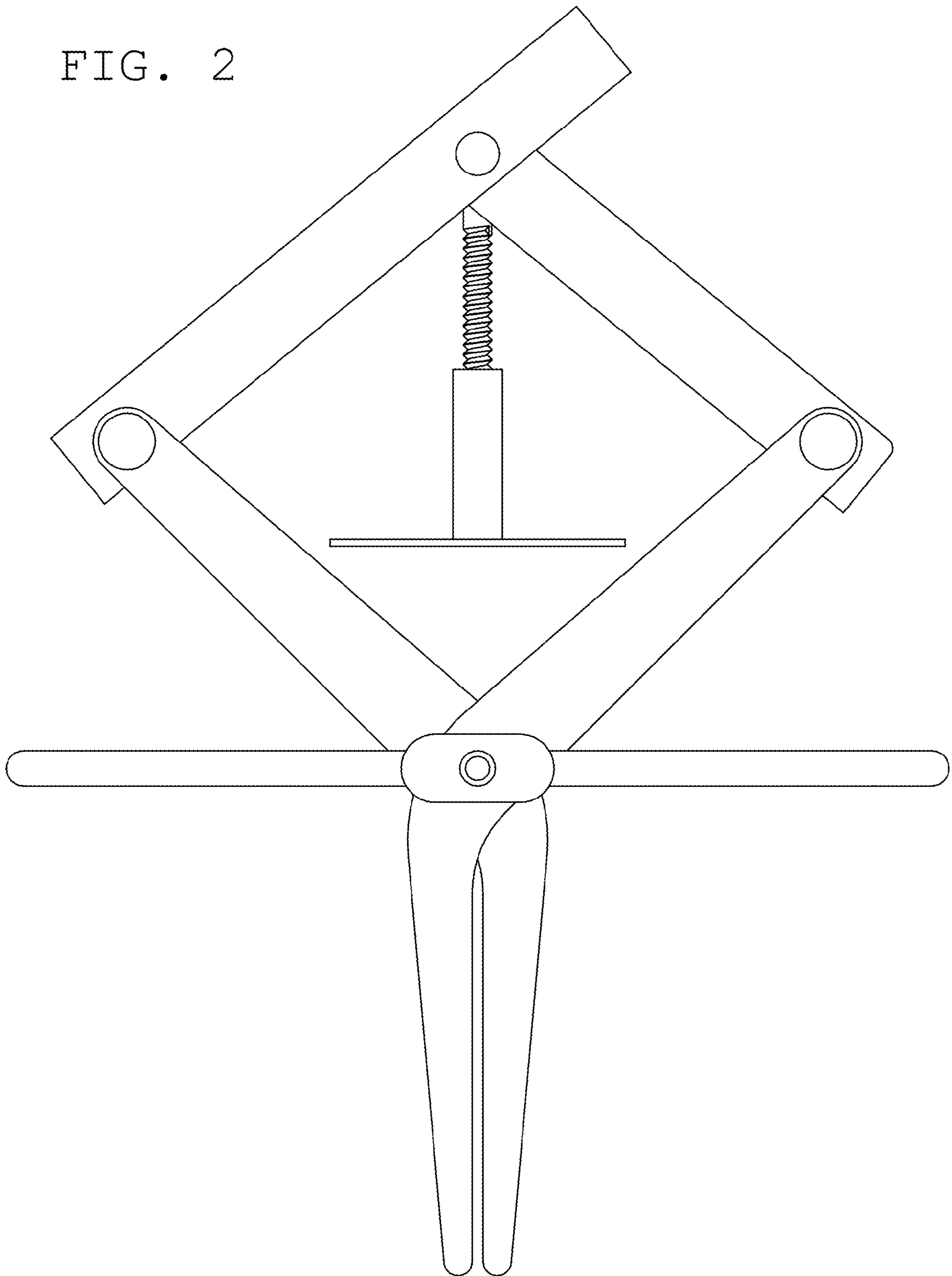
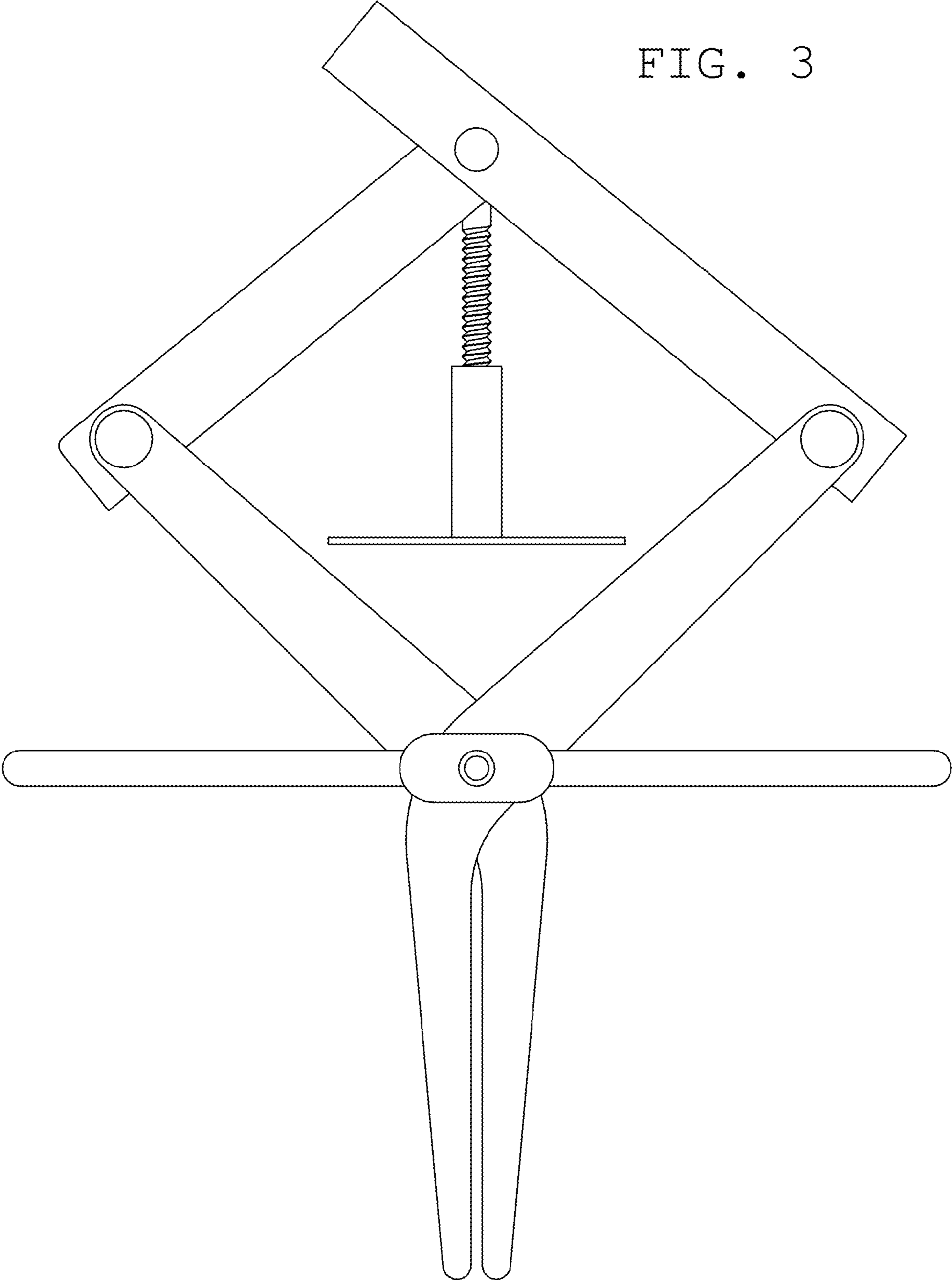


FIG. 3



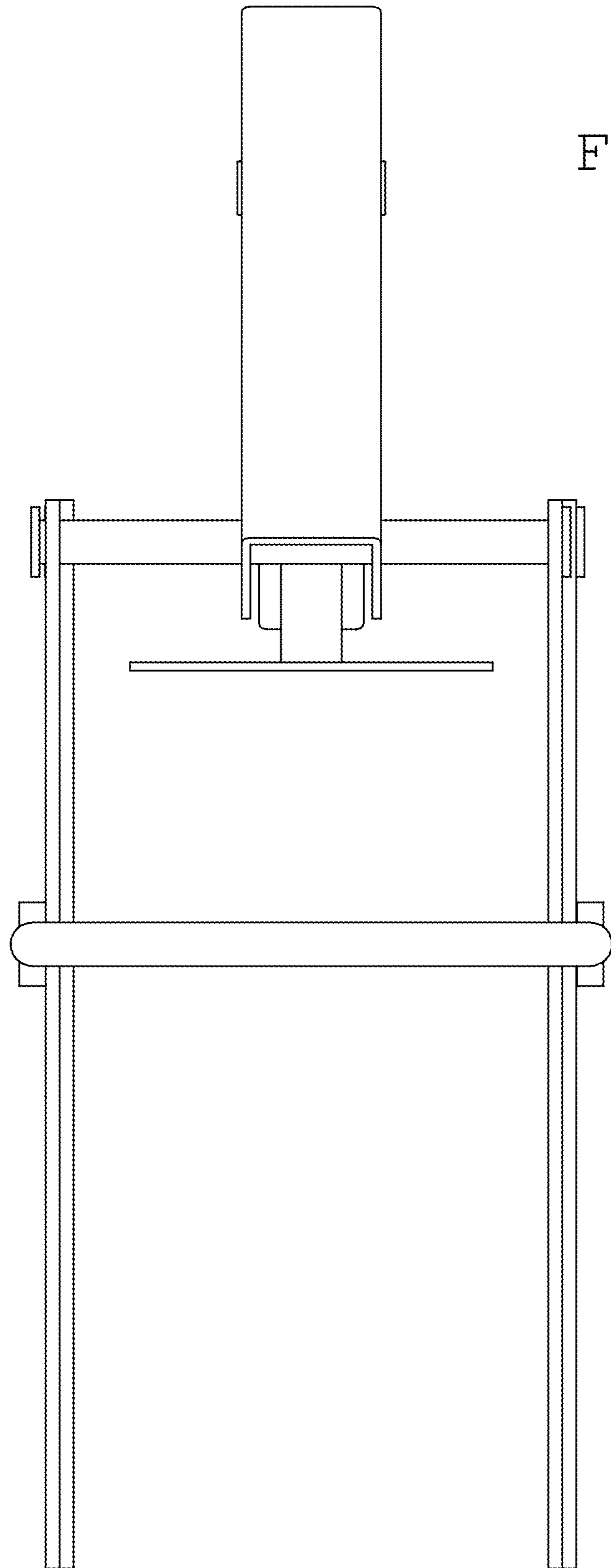


FIG. 4

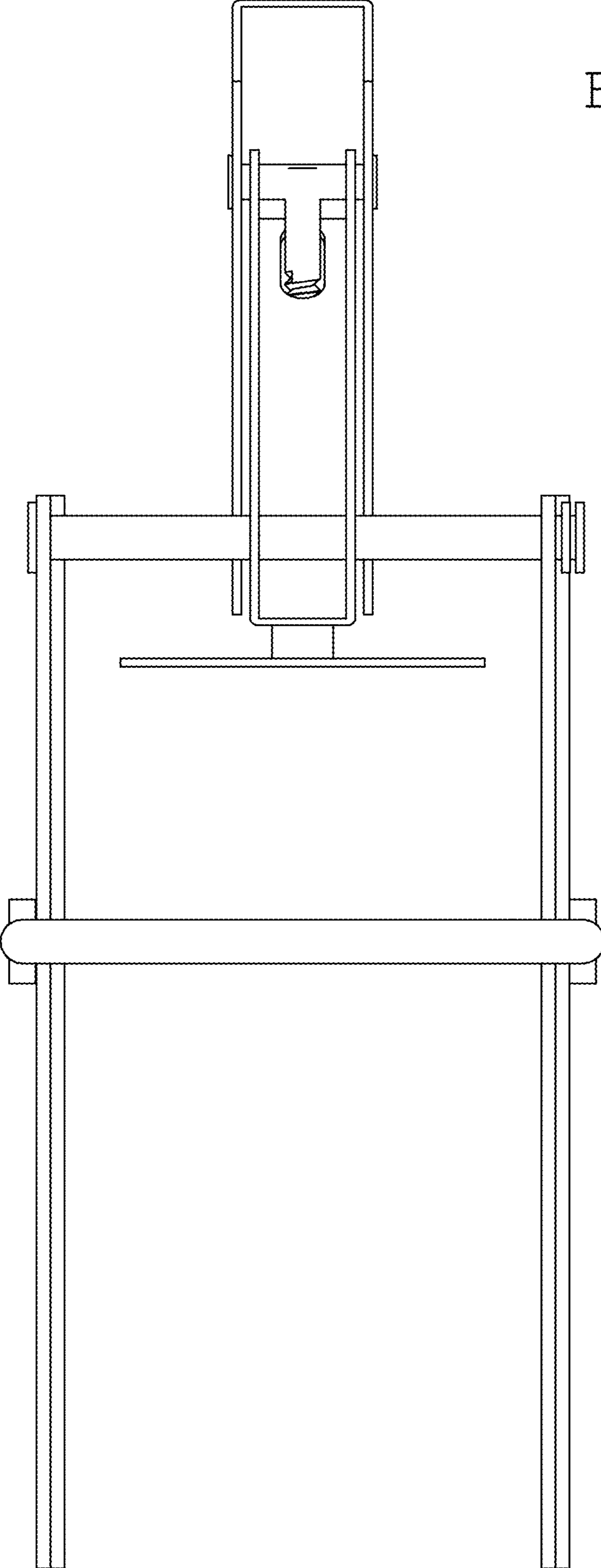


FIG. 5

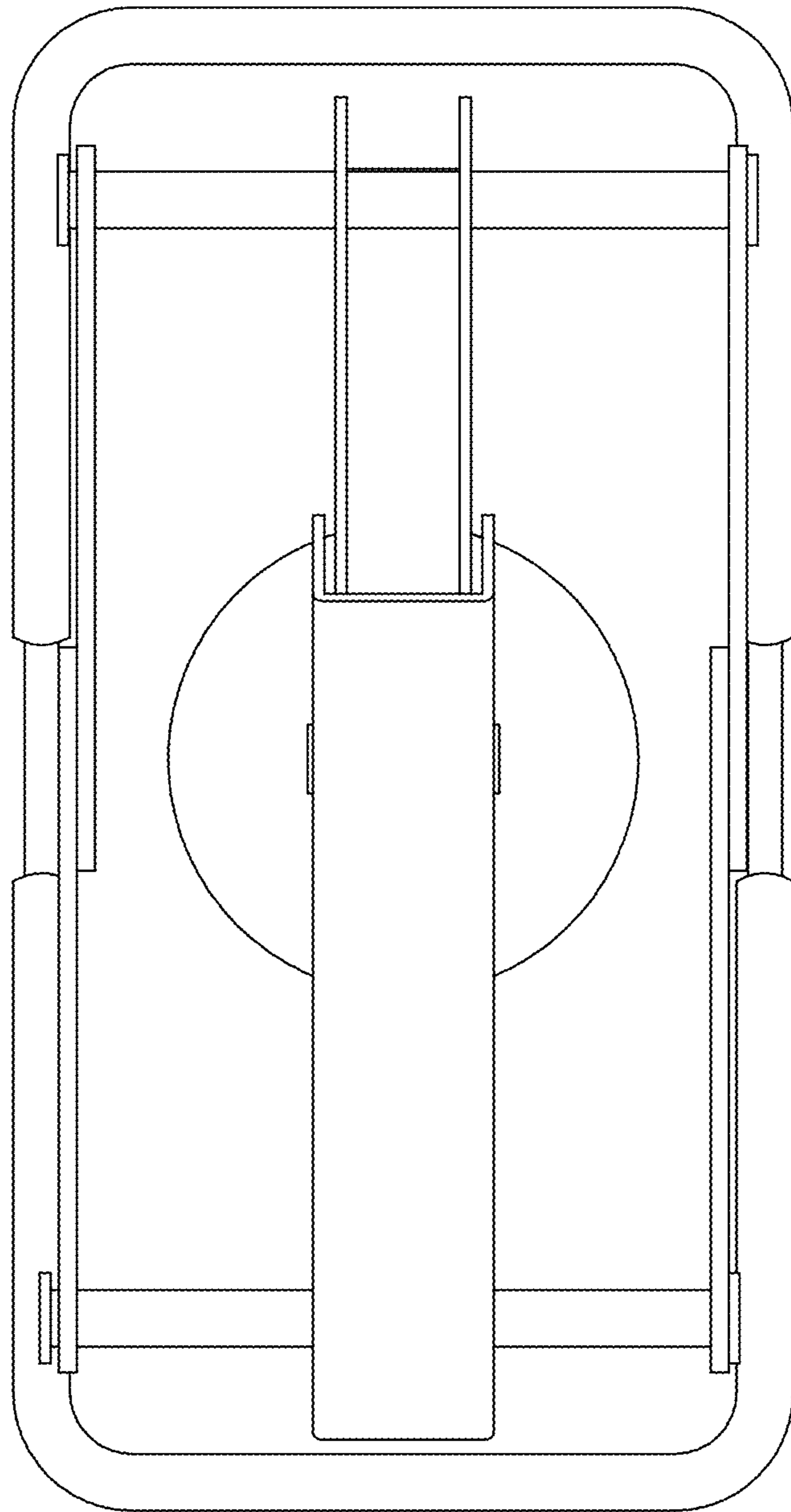


FIG. 6

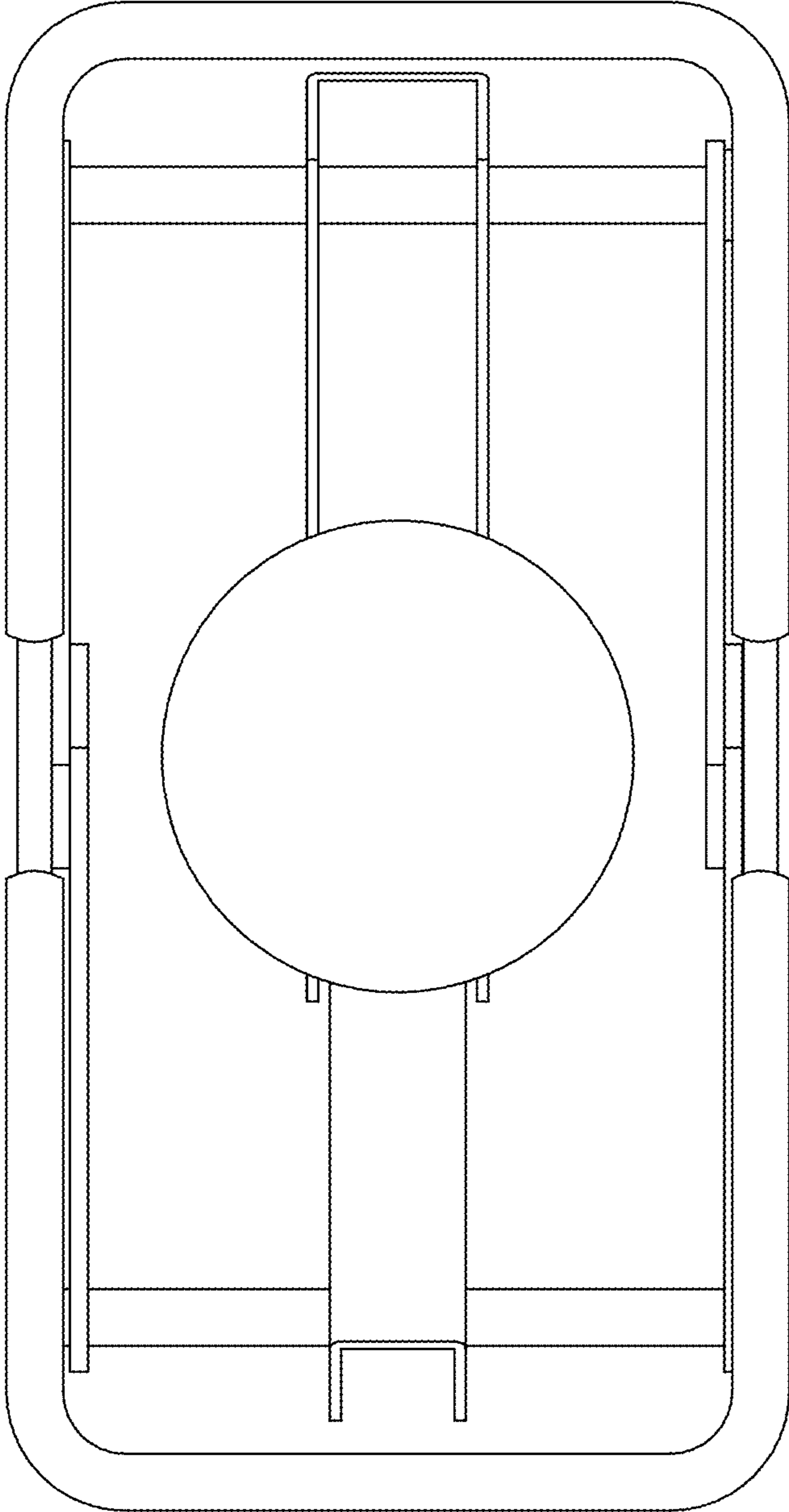


FIG. 7