



US00D903041S

(12) **United States Design Patent**  
**Holmes**

(10) **Patent No.:** **US D903,041 S**

(45) **Date of Patent:** **\*\* Nov. 24, 2020**

(54) **COMBINED DIVING KNIFE AND SHEATH**

(71) Applicant: **Pelagic Importing LLC**, Jackson, WY (US)

(72) Inventor: **Trevor Donald Holmes**, Chelmsford (GB)

(73) Assignee: **Pelagic Importing**, Jackson, WY (US)

(\*\*) Term: **15 Years**

(21) Appl. No.: **29/703,577**

(22) Filed: **Aug. 28, 2019**

(51) **LOC (12) Cl.** ..... **22-02**

(52) **U.S. Cl.**  
USPC ..... **D22/118**

(58) **Field of Classification Search**  
USPC ..... D22/118; D3/220; 224/232; D8/71,  
D8/95-99, 107; 30/151  
CPC ..... B26B 3/06; B26B 29/025  
See application file for complete search history.

(56) **References Cited**

**U.S. PATENT DOCUMENTS**

D303,001 S *	8/1989	Su	.....	D22/118
D317,037 S *	5/1991	Koshiishi	.....	D22/118
5,138,768 A *	8/1992	Collins	.....	B26B 29/025
				224/232
D334,791 S *	4/1993	Collins	.....	D22/118
D384,724 S *	10/1997	Uke	.....	D22/118
D448,442 S *	9/2001	Cheng	.....	D22/118
D515,654 S *	2/2006	Trbovich, Jr.	.....	D22/118
D844,096 S *	3/2019	McKillips	.....	D22/118

D845,428 S *	4/2019	Robinson	.....	D22/118
D876,579 S *	2/2020	Pohl	.....	D22/118
D884,823 S *	5/2020	Heine	.....	D22/118
2015/0052759 A1 *	2/2015	Yeh	.....	B26B 29/025
				30/151

**OTHER PUBLICATIONS**

EVO Stainless Dive Knife—Blunt Tip, DiversDirect.com (Year: 2020).\*

\* cited by examiner

*Primary Examiner* — Catherine R Oliver-Garcia  
(74) *Attorney, Agent, or Firm* — Eric Karich; Karich & Associates

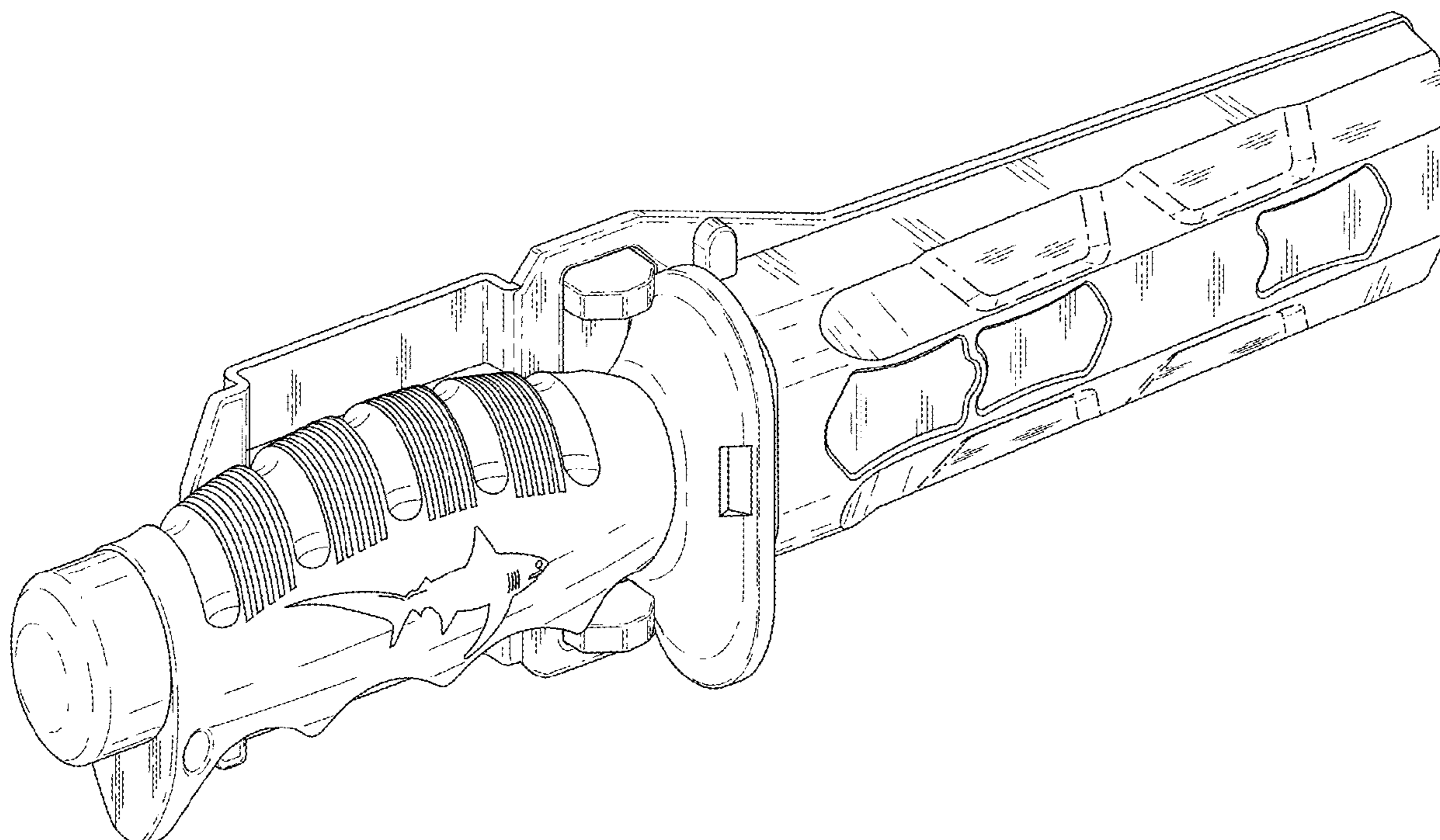
(57) **CLAIM**

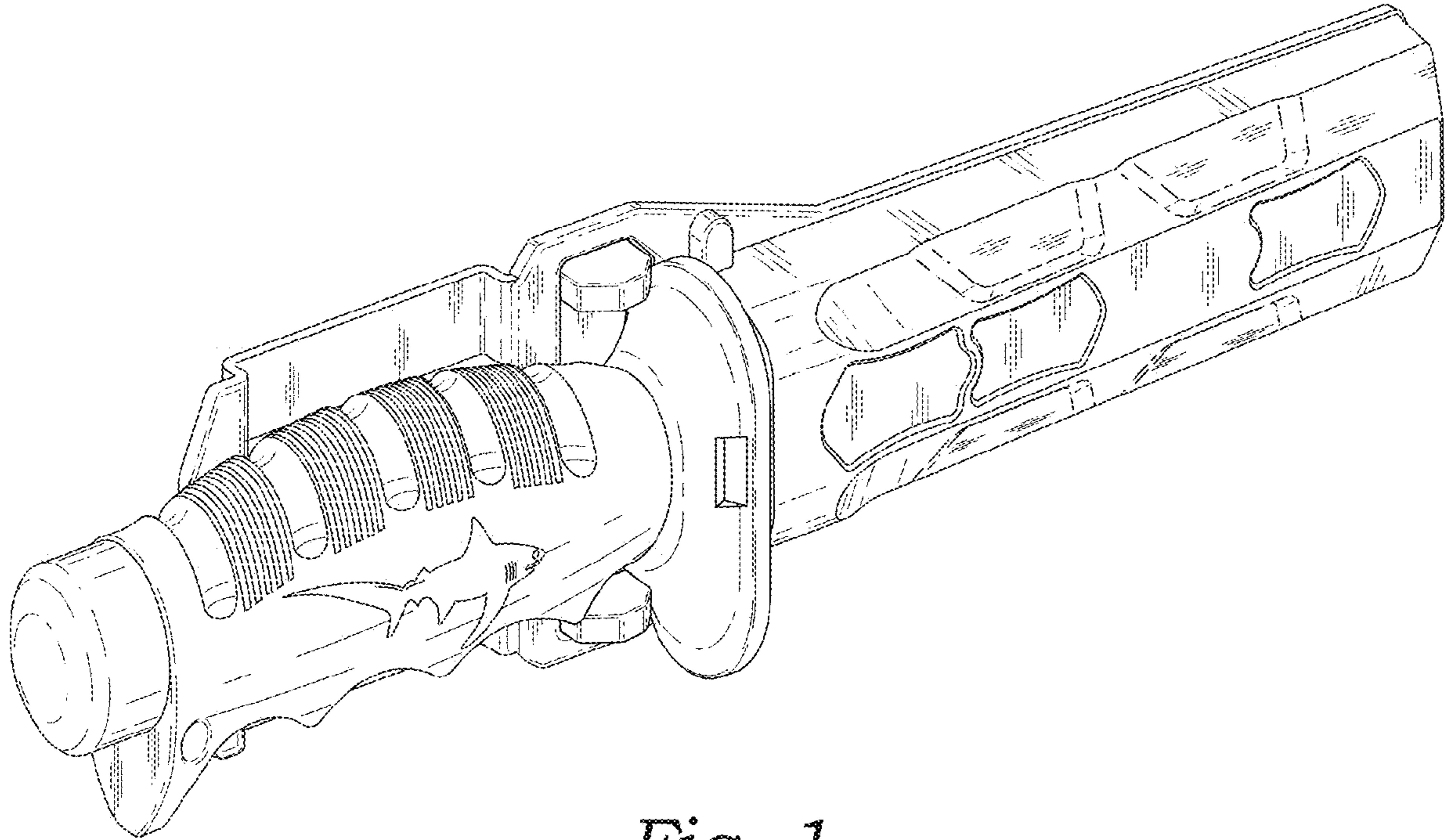
The ornamental design for a combined diving knife and sheath, as shown and described.

**DESCRIPTION**

FIG. 1 is a perspective view of a combined diving knife and sheath, showing my new design;  
FIG. 2 is a front elevational view thereof;  
FIG. 3 is a rear elevational view thereof;  
FIG. 4 is a left side elevational view thereof;  
FIG. 5 is a right side elevational view thereof;  
FIG. 6 is a top plan view thereof; and,  
FIG. 7 is a bottom plan view thereof.

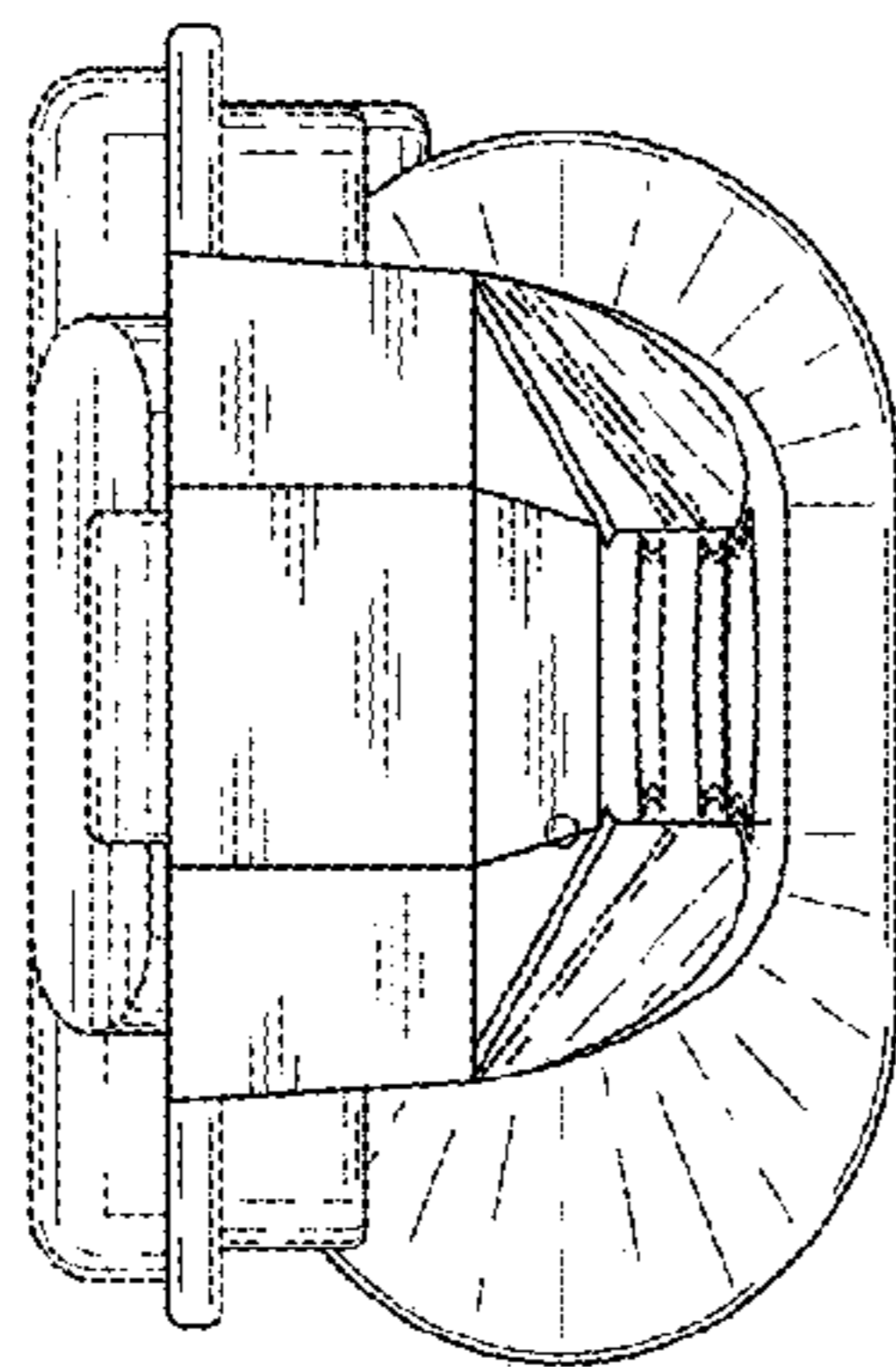
**1 Claim, 3 Drawing Sheets**



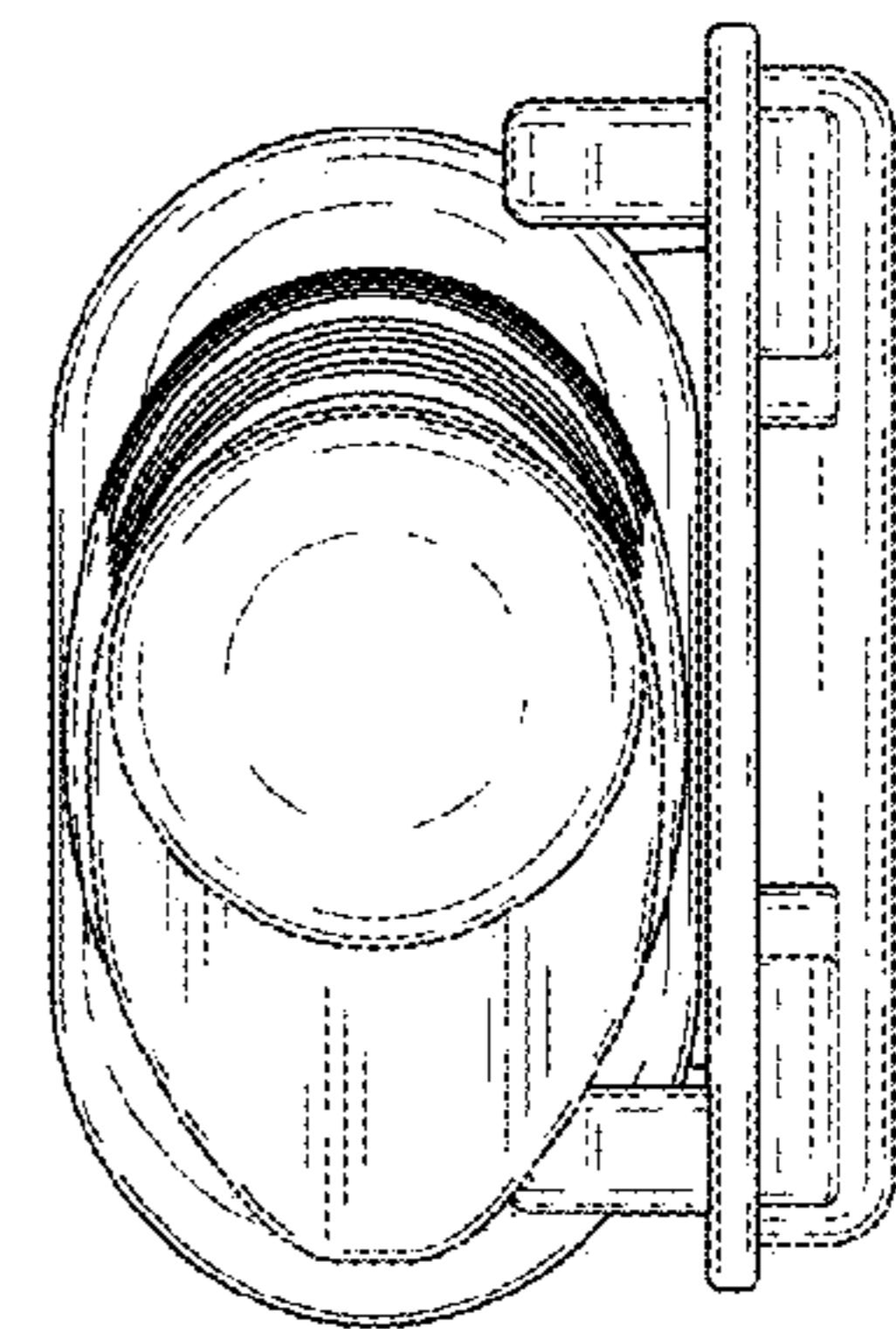


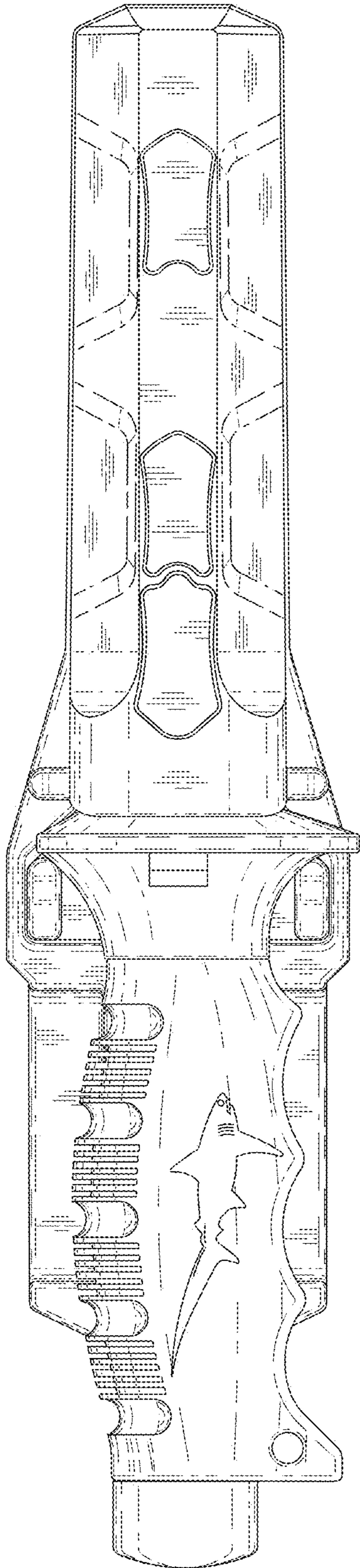
*Fig. 1*

*Fig. 2*

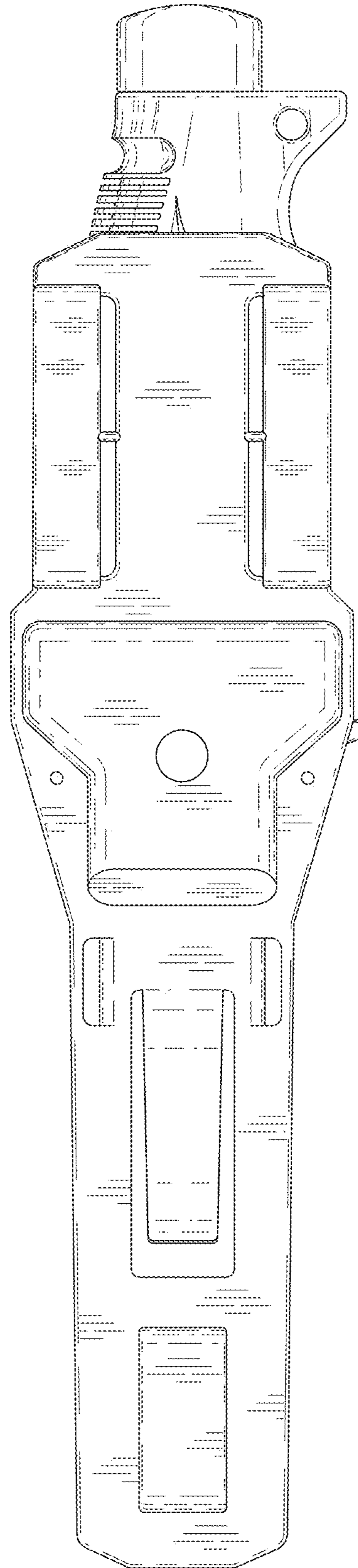


*Fig. 3*

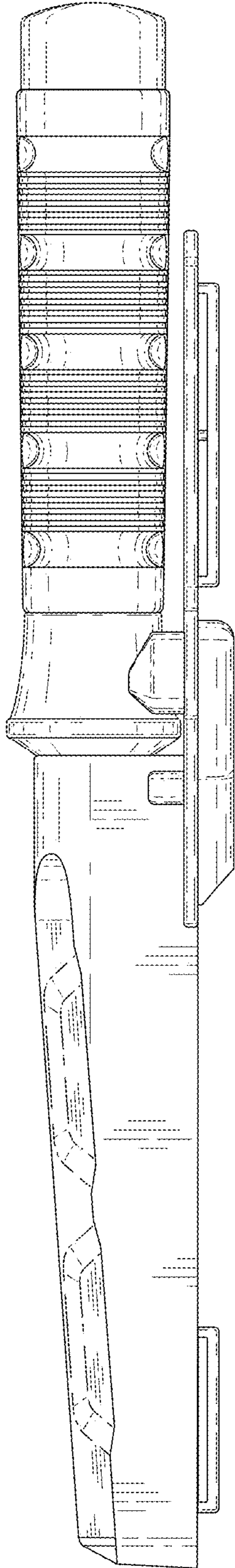




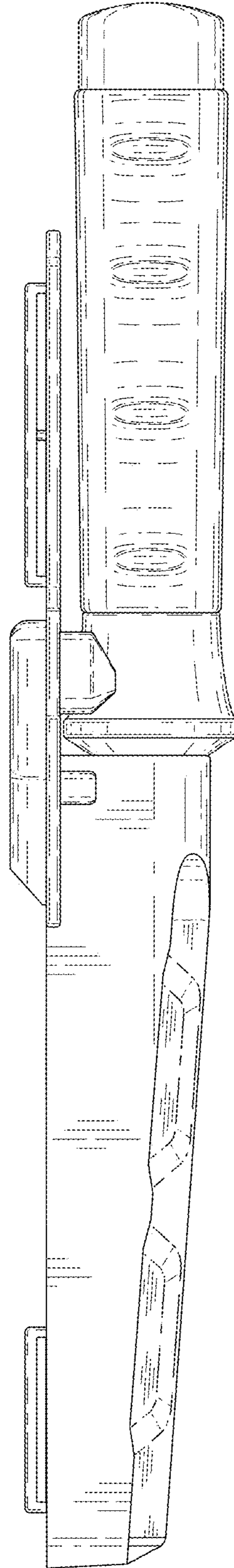
*Fig. 4*



*Fig. 5*



*Fig. 6*



*Fig. 7*