



US00D903037S

(12) **United States Design Patent**
Bian

(10) **Patent No.:** **US D903,037 S**

(45) **Date of Patent:** **** Nov. 24, 2020**

(54) **FIREARM-ATTACHABLE WASTE COLLECTOR FOR COLLECTING FIREARM CLEANING WASTE**

(71) Applicant: **Ningbo Rotchi Business Co., Ltd.**, Ningbo (CN)

(72) Inventor: **Yangchun Bian**, Ningbo (CN)

(73) Assignee: **NINGBO ROTCHI BUSINESS CO., LTD.**, Ningbo (CN)

(**) Term: **15 Years**

(21) Appl. No.: **29/700,031**

(22) Filed: **Jul. 30, 2019**

(51) **LOC (12) Cl.** **22-01**

(52) **U.S. Cl.**
USPC **D22/108**

(58) **Field of Classification Search**
USPC D22/108; D32/45
CPC B08B 9/00; B08B 9/055; F41A 29/00
See application file for complete search history.

(56) **References Cited**

U.S. PATENT DOCUMENTS

D245,607 S * 8/1977 Morrical D32/1
5,815,975 A * 10/1998 Rambo F41A 29/00
42/95

6,701,657 B1 * 3/2004 Hudspeth F41A 29/00
15/104.062

8,079,170 B2 * 12/2011 Loftin F41A 29/00
42/95

D733,245 S * 6/2015 Wickser, Jr. D22/108
2019/0017779 A1 * 1/2019 Kokoruda B65D 50/04

* cited by examiner

Primary Examiner — Michael A. Pratt

(74) *Attorney, Agent, or Firm* — Matthias Scholl P.C.;
Matthias Scholl

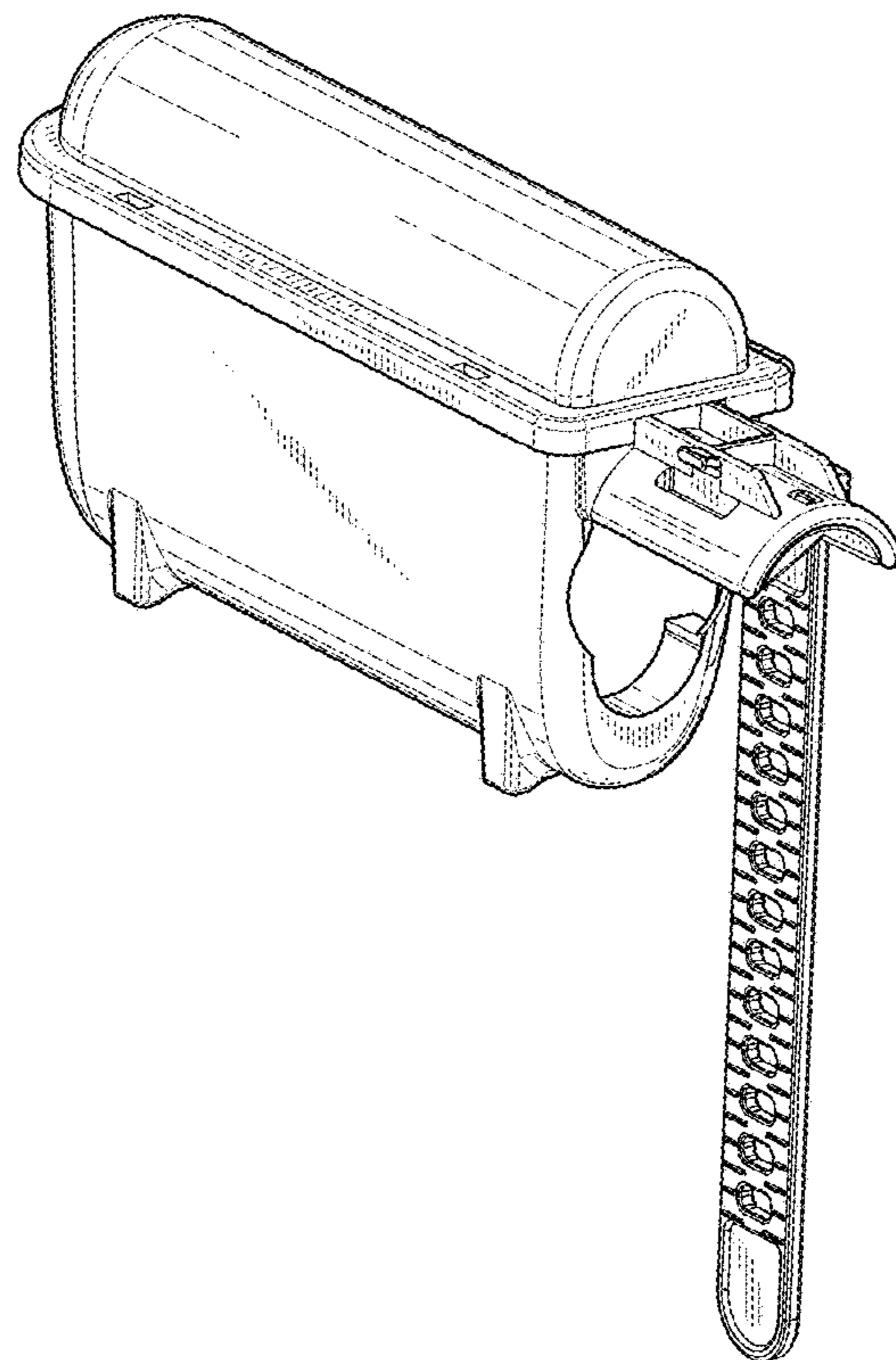
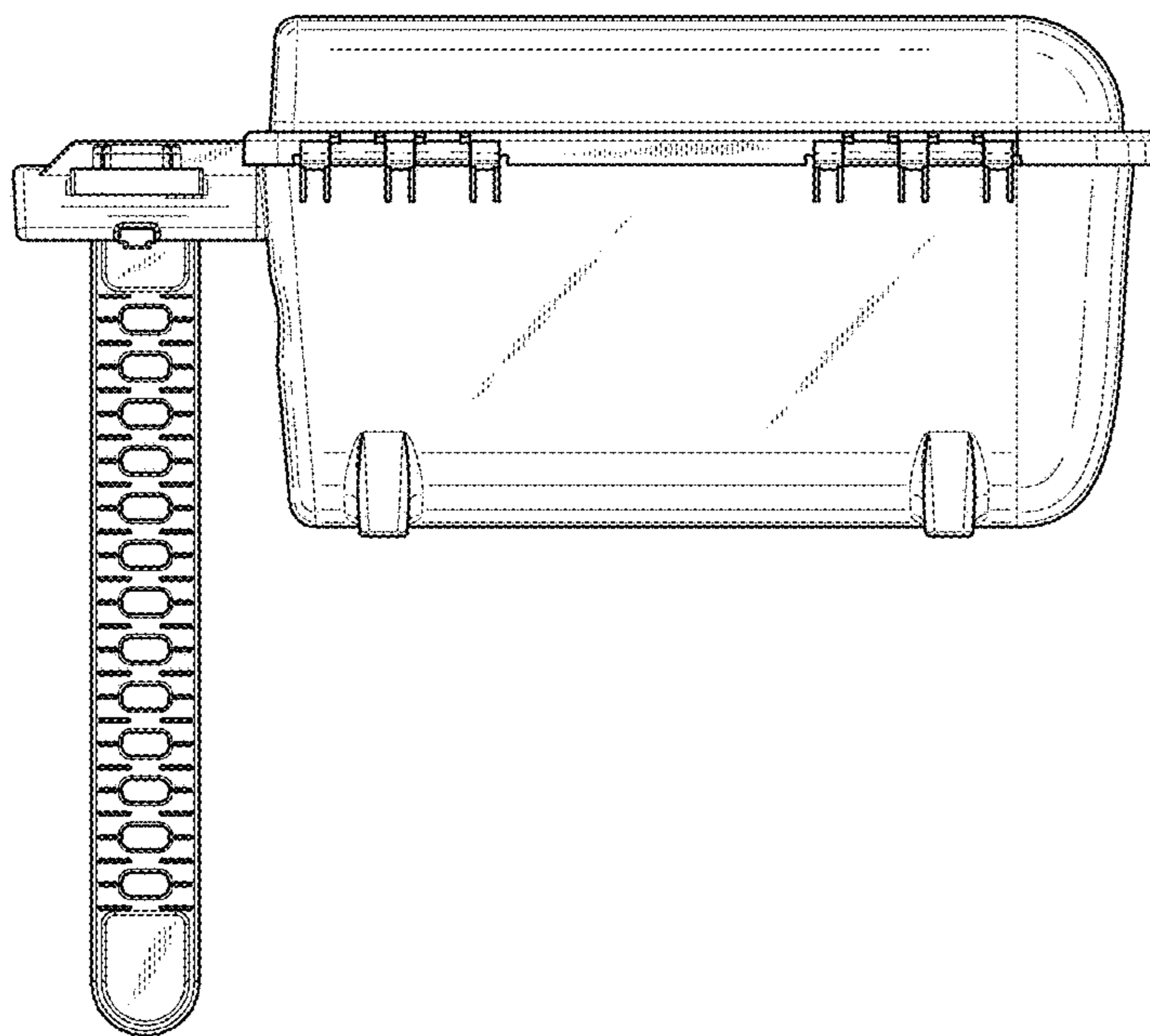
(57) **CLAIM**

The ornamental design for a firearm-attachable waste collector for collecting firearm cleaning waste, as shown and described.

DESCRIPTION

FIG. 1 is a front elevation view of a firearm-attachable waste collector for collecting firearm cleaning waste; FIG. 2 is a rear elevation view thereof; FIG. 3 is a left-side elevation view thereof; FIG. 4 is a right-side elevation view thereof; FIG. 5 is a top plan view thereof; FIG. 6 is a bottom plan view thereof; and, FIG. 7 is a perspective view thereof.

1 Claim, 7 Drawing Sheets



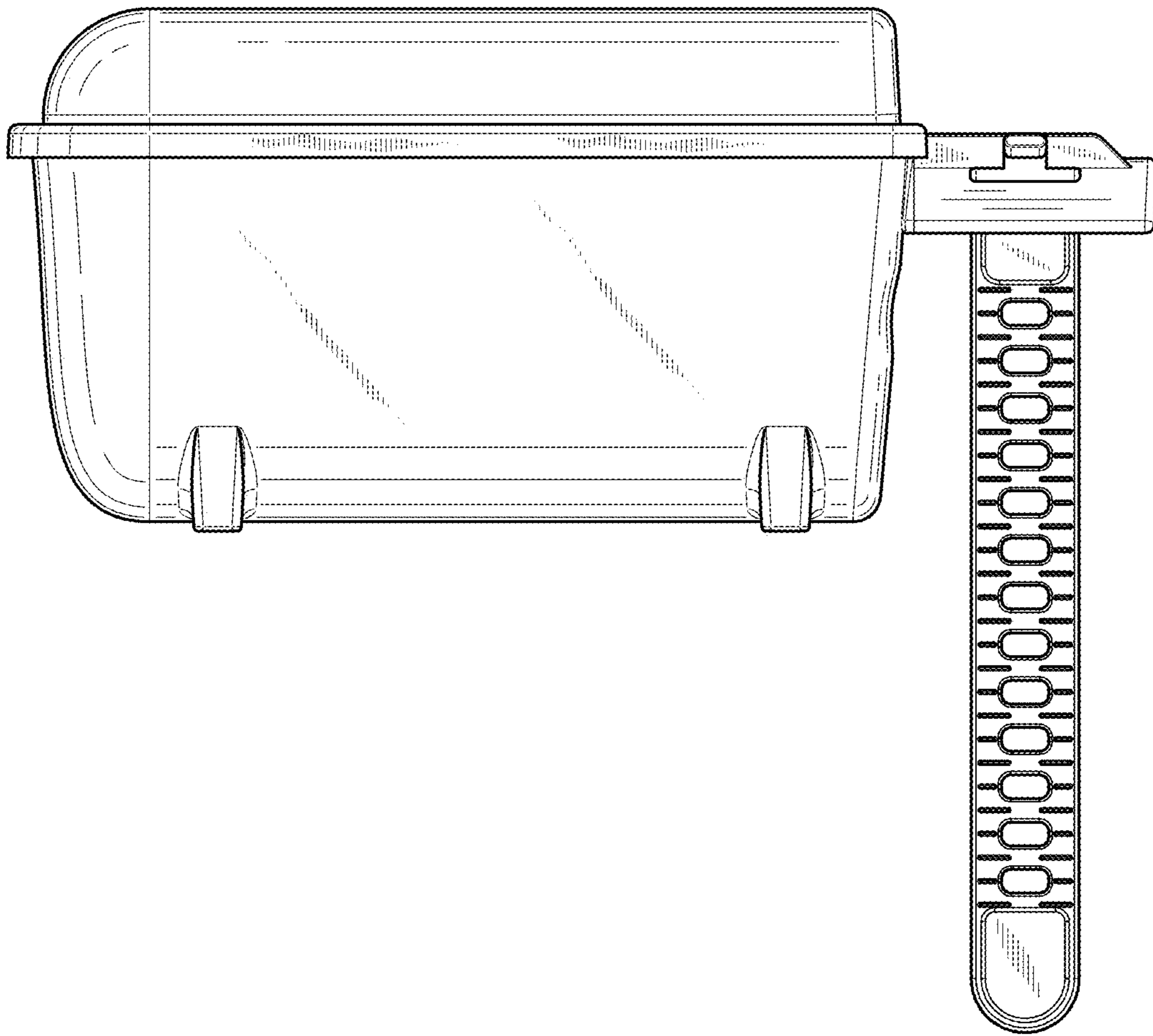


FIG. 1

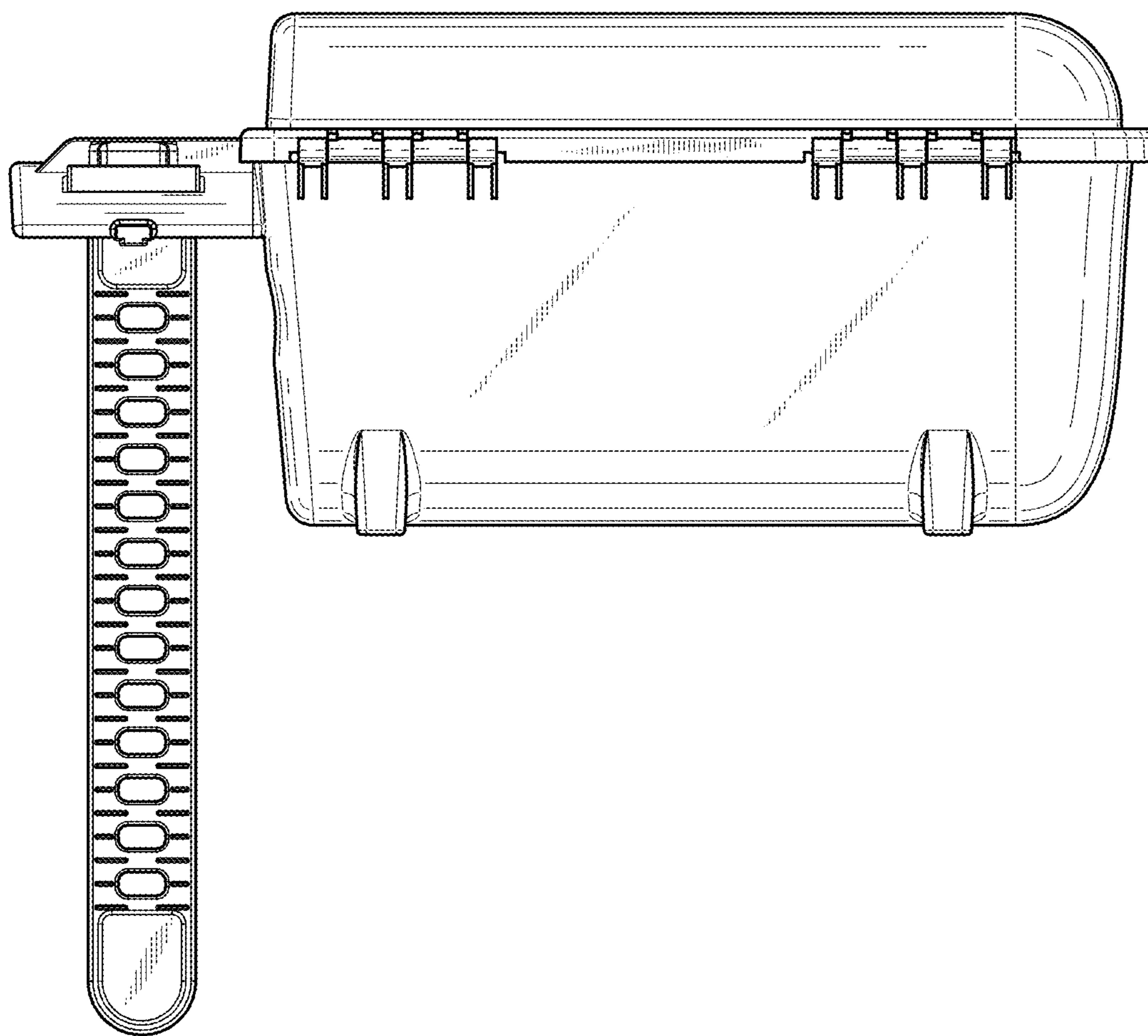


FIG. 2

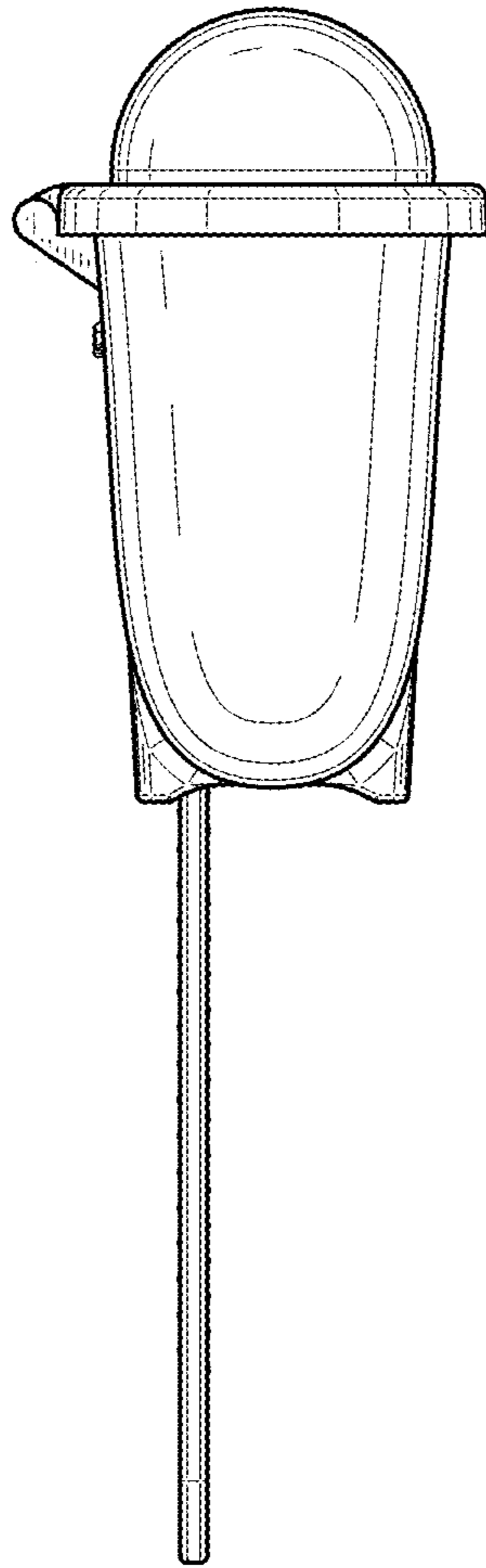


FIG. 3

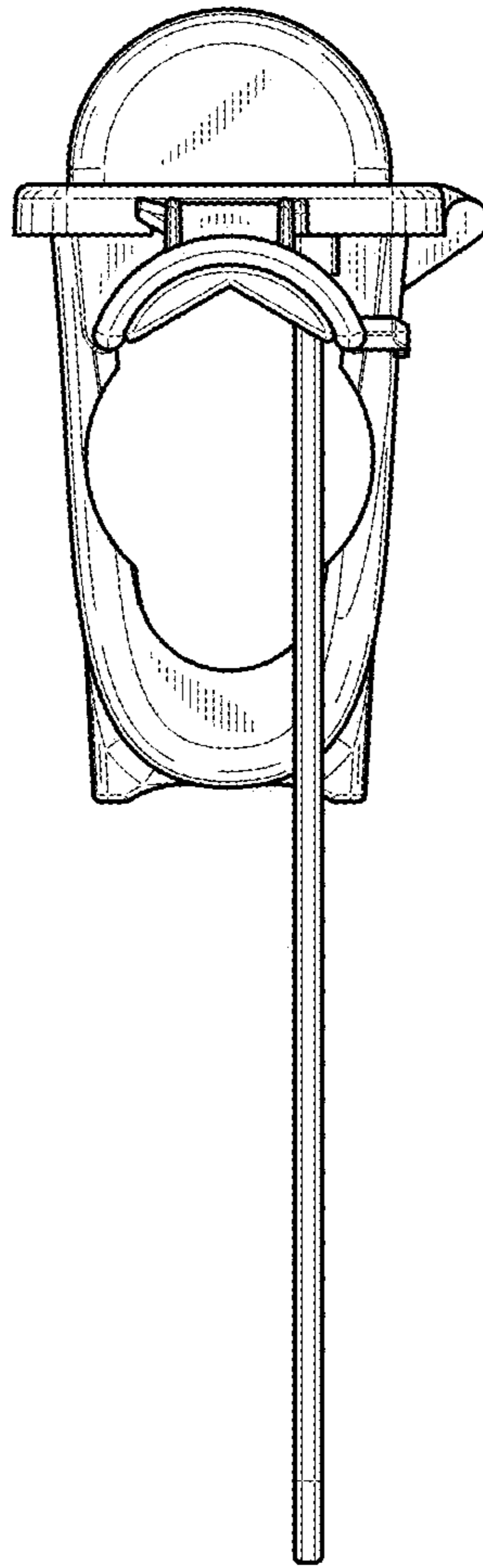


FIG. 4

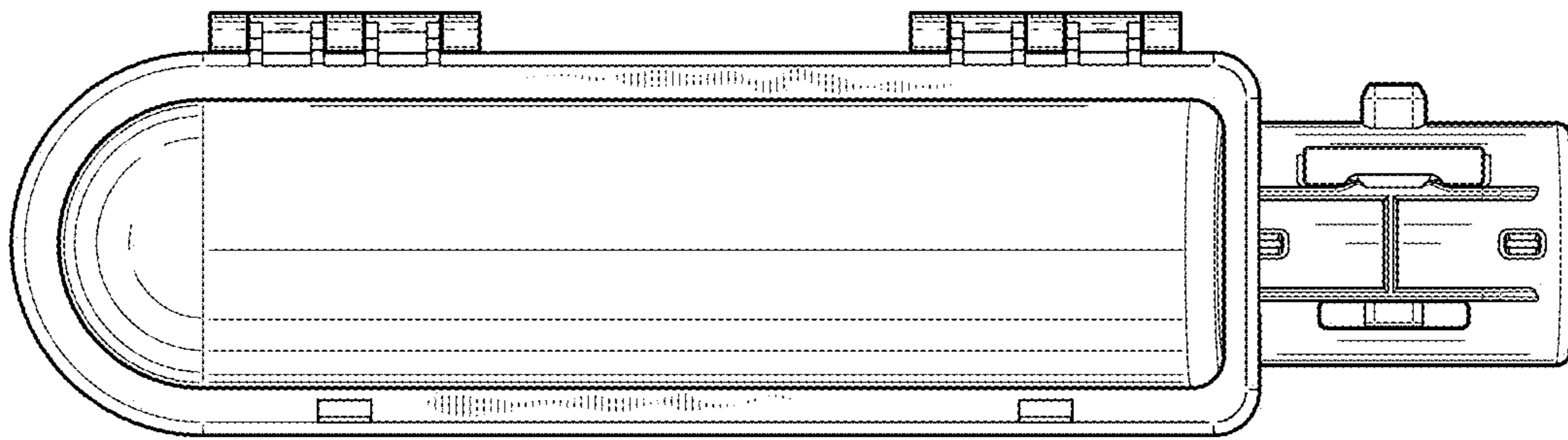


FIG. 5

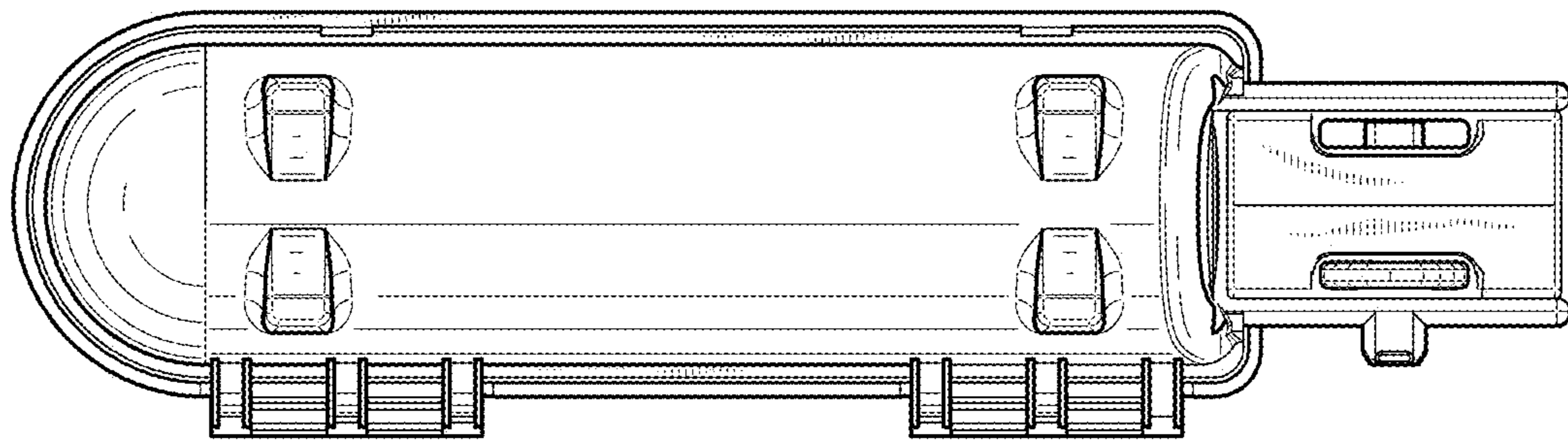


FIG. 6

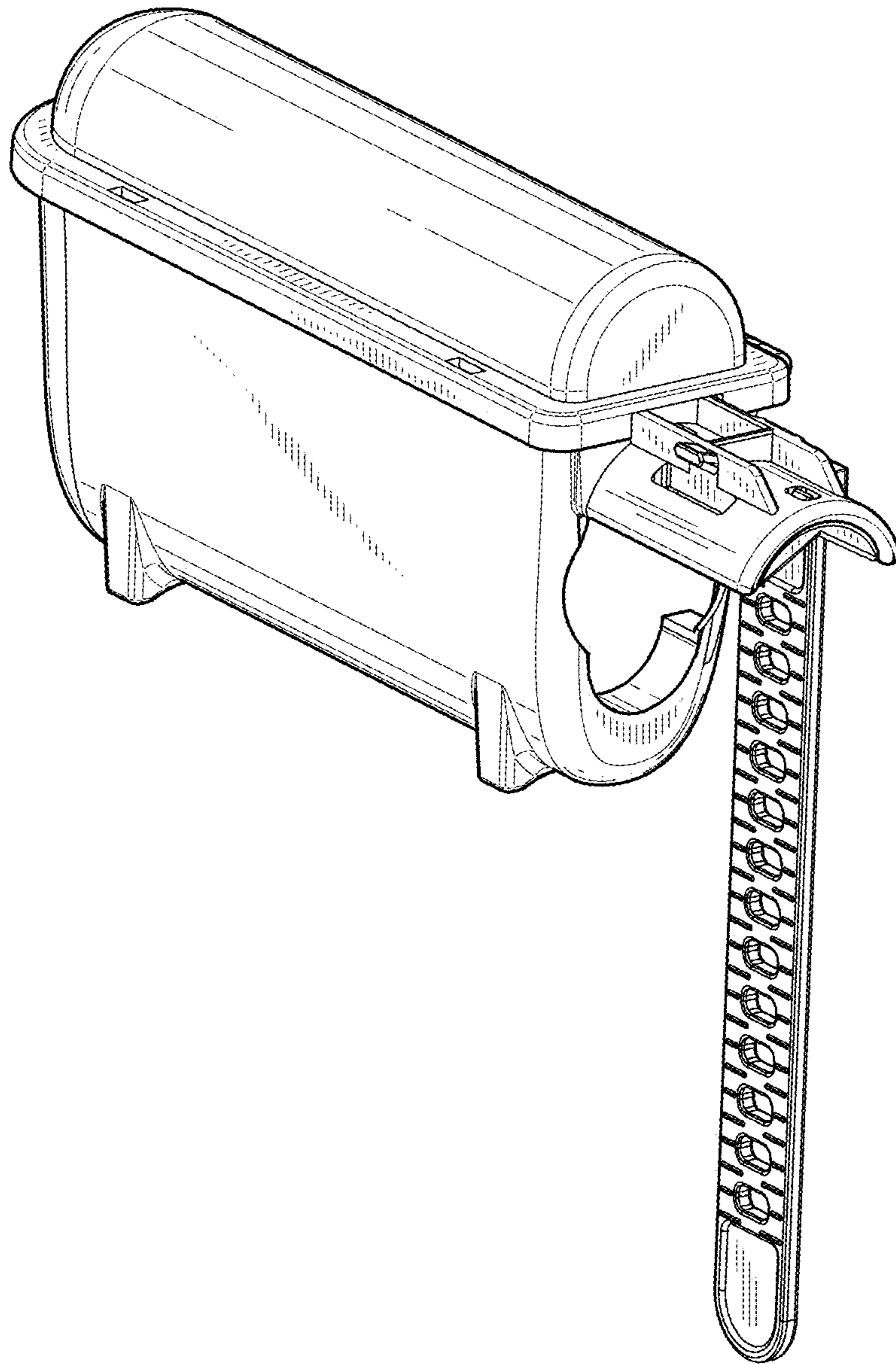


FIG. 7