



US00D903036S

(12) **United States Design Patent**
Lavin et al.

(10) **Patent No.:** **US D903,036 S**

(45) **Date of Patent:** **** Nov. 24, 2020**

(54) **CARTRIDGE FOR A CONDUCTED ELECTRICAL WEAPON**

(71) Applicant: **Axon Enterprise, Inc.**, Scottsdale, AZ (US)

(72) Inventors: **Albert K. Lavin**, Scottsdale, AZ (US);
Milan Cerovic, Scottsdale, AZ (US);
Luke A. Salisbury, Scottsdale, AZ (US)

(73) Assignee: **Axon Enterprise, Inc.**, Scottsdale, AZ (US)

(**) Term: **15 Years**

(21) Appl. No.: **29/691,785**

(22) Filed: **May 20, 2019**

(51) **LOC (12) Cl.** **22-01**

(52) **U.S. Cl.**
USPC **D22/108**

(58) **Field of Classification Search**
USPC D22/108, 117
CPC F41B 11/55; F41B 11/51; F41B 11/62
See application file for complete search history.

(56) **References Cited**

U.S. PATENT DOCUMENTS

D323,870 S *	2/1992	Kaufman	D22/117
D371,417 S *	7/1996	Franks	D14/191
D451,165 S *	11/2001	Fleischhauer	D22/117
D470,212 S *	2/2003	Cardwell, III	D22/117
D539,376 S *	3/2007	Rhee	D22/117
D539,866 S *	4/2007	Rhee	D22/117
D552,207 S *	10/2007	Rhee	D22/117
D570,948 S *	6/2008	Cerovic	D22/108

D573,223 S *	7/2008	Kostal	D22/117
D602,109 S *	10/2009	Cerovic	D22/108
D611,115 S *	3/2010	Pennington	D22/117
D651,679 S *	1/2012	Klug	D22/108
D661,771 S *	6/2012	Nawaz	D22/117
D702,312 S *	4/2014	Ying	D22/117
D731,612 S *	6/2015	Ying	D22/117
D736,885 S *	8/2015	Swan	D22/108
D747,522 S *	1/2016	Sheikh	D22/117
D784,484 S *	4/2017	Nawaz	D22/117
D791,901 S *	7/2017	Swan	D22/108
D806,824 S *	1/2018	Fan	D22/117

* cited by examiner

Primary Examiner — Michael A. Pratt

(74) *Attorney, Agent, or Firm* — Banner & Witcoff, Ltd.

(57) **CLAIM**

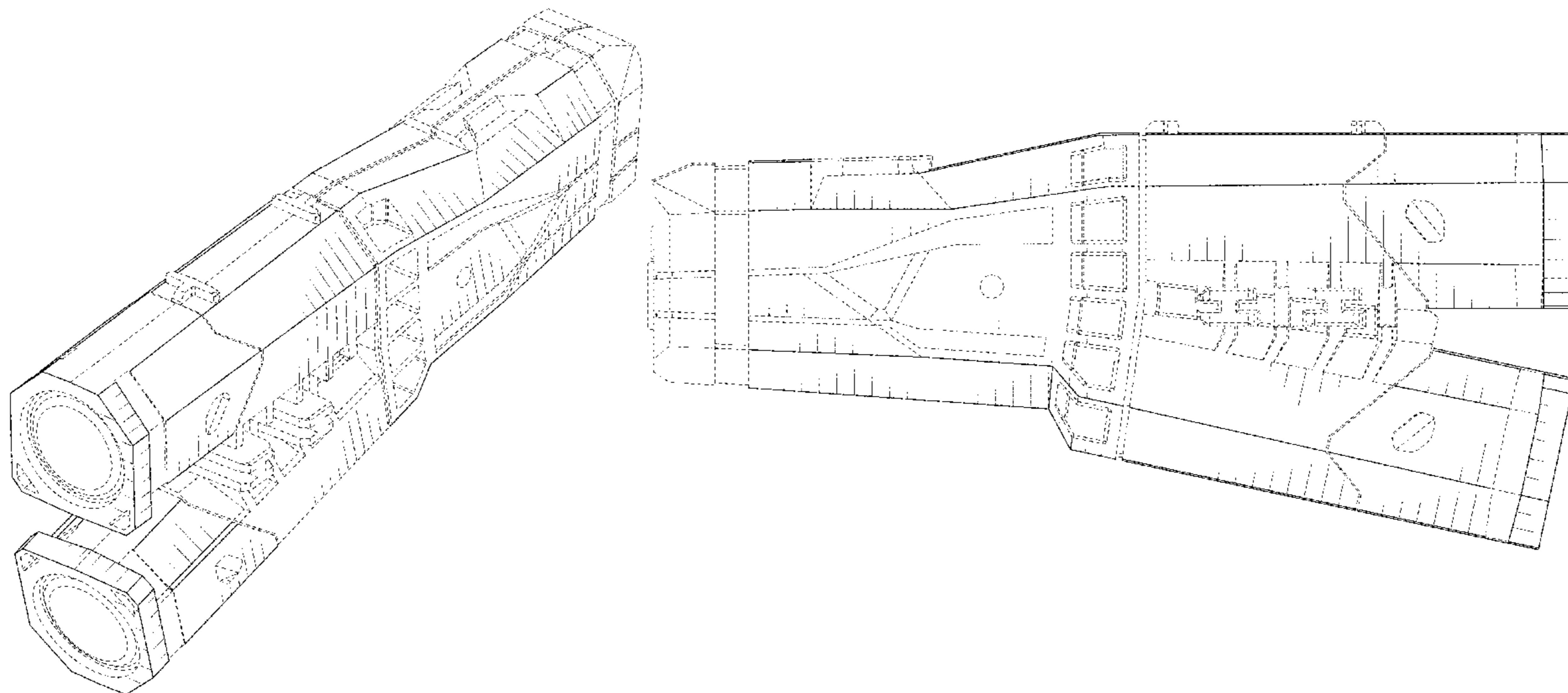
The ornamental design for a cartridge for a conducted electrical weapon, as shown and described.

DESCRIPTION

FIG. 1 is a top, front, right perspective view of a cartridge for a conducted electrical weapon showing our new design; FIG. 2 is a bottom, rear, left perspective view thereof; FIG. 3 is a front view thereof; FIG. 4 is a rear view thereof; FIG. 5 is a left side view thereof; FIG. 6 is a right side view thereof; FIG. 7 is a top view thereof; and, FIG. 8 is a bottom view thereof.

The broken lines immediately adjacent to the shaded area define the bounds of the claimed design and form no part thereof. The broken lines depicting the remainder of the cartridge for a conducted electrical weapon show features that form no part of the claimed design.

1 Claim, 7 Drawing Sheets



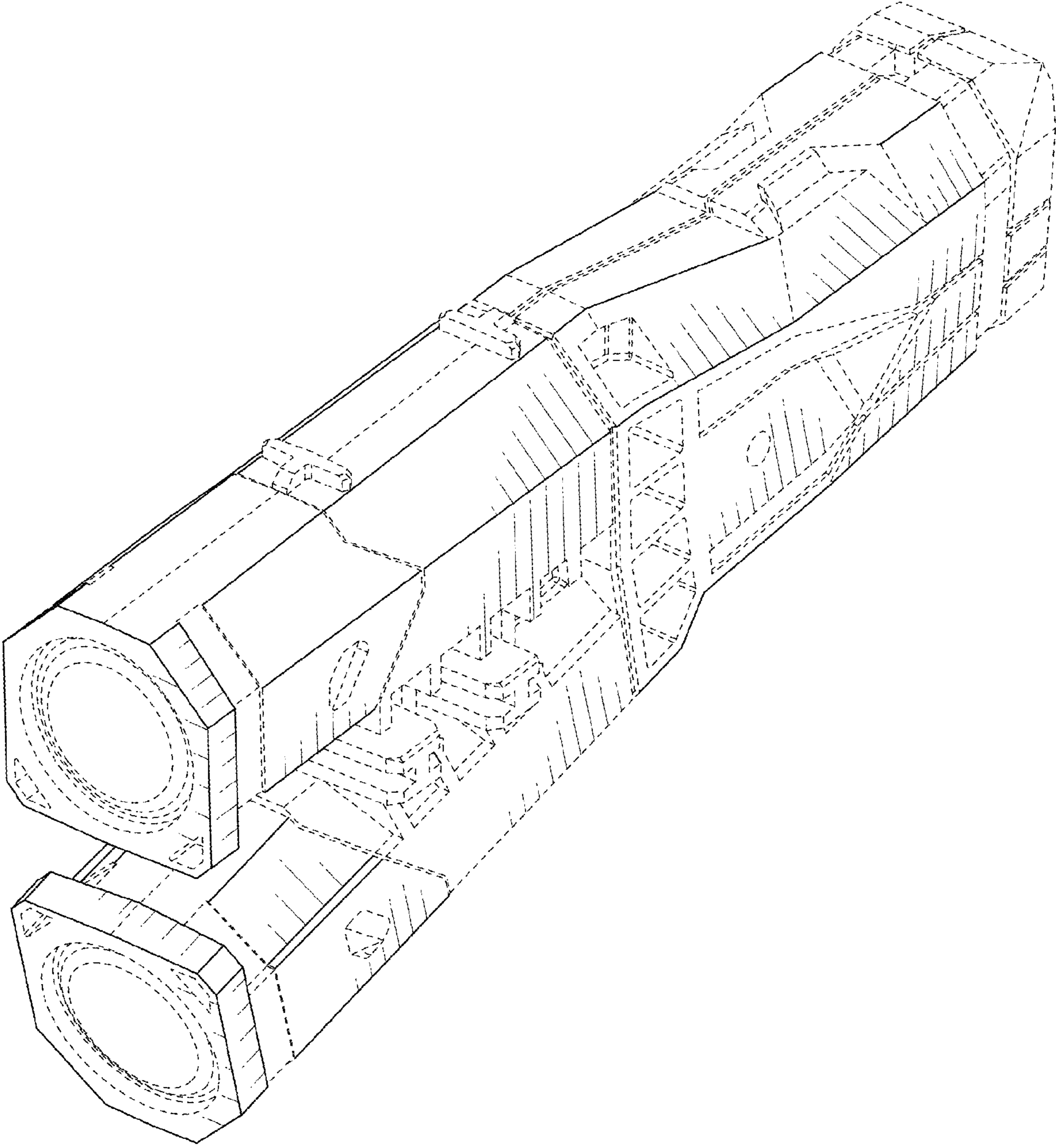


FIG. 1

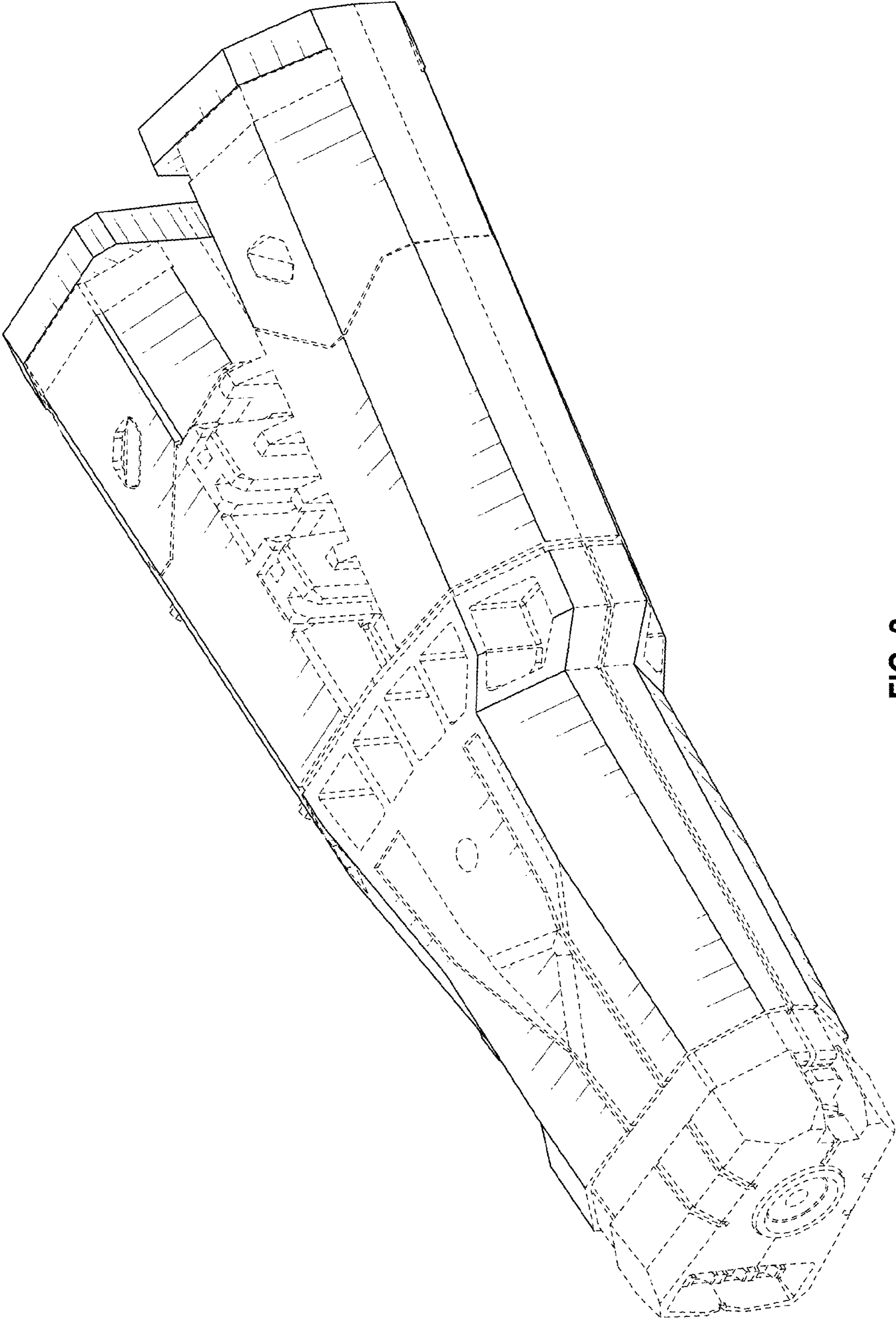


FIG. 2

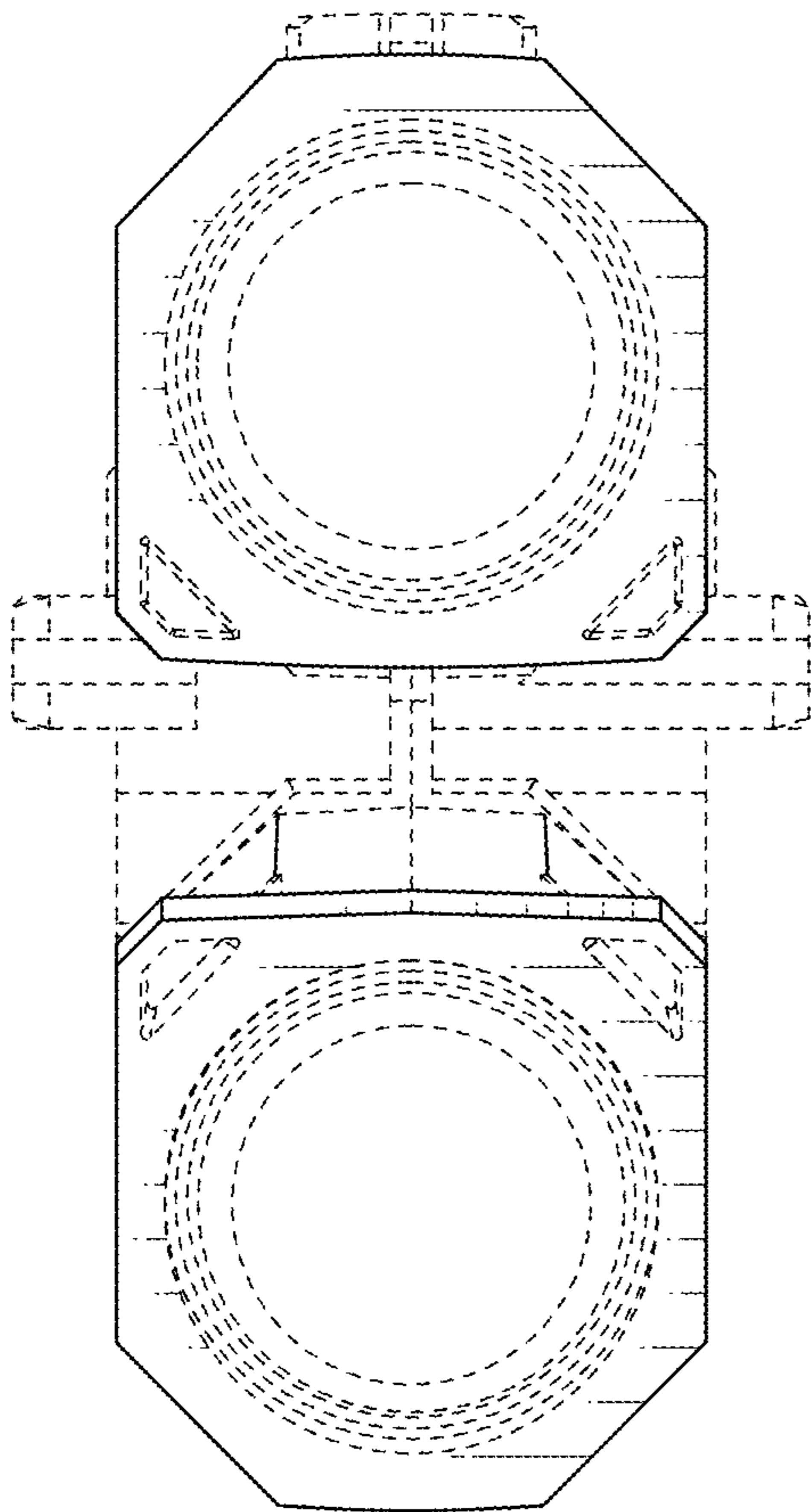


FIG. 3

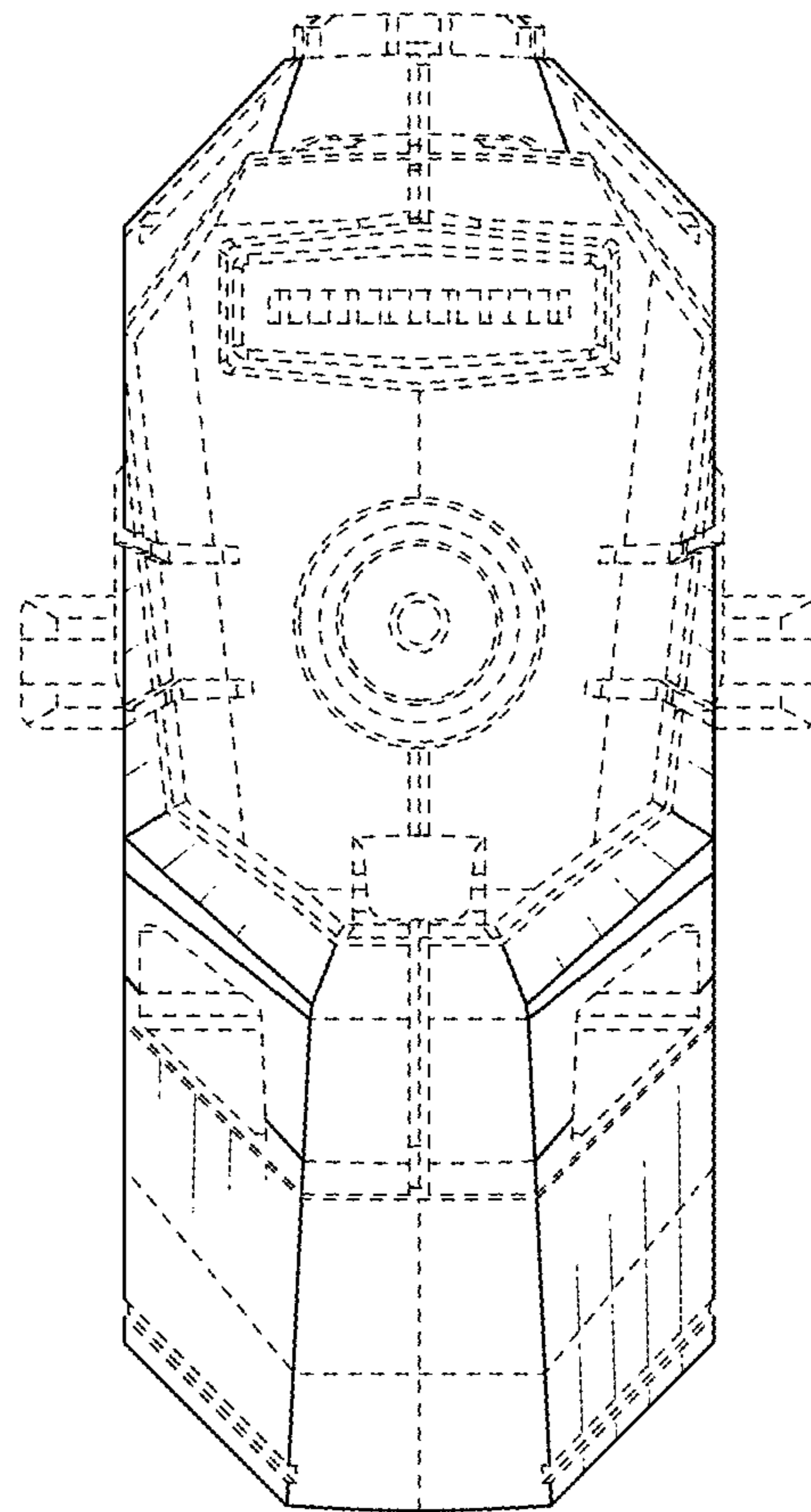


FIG. 4

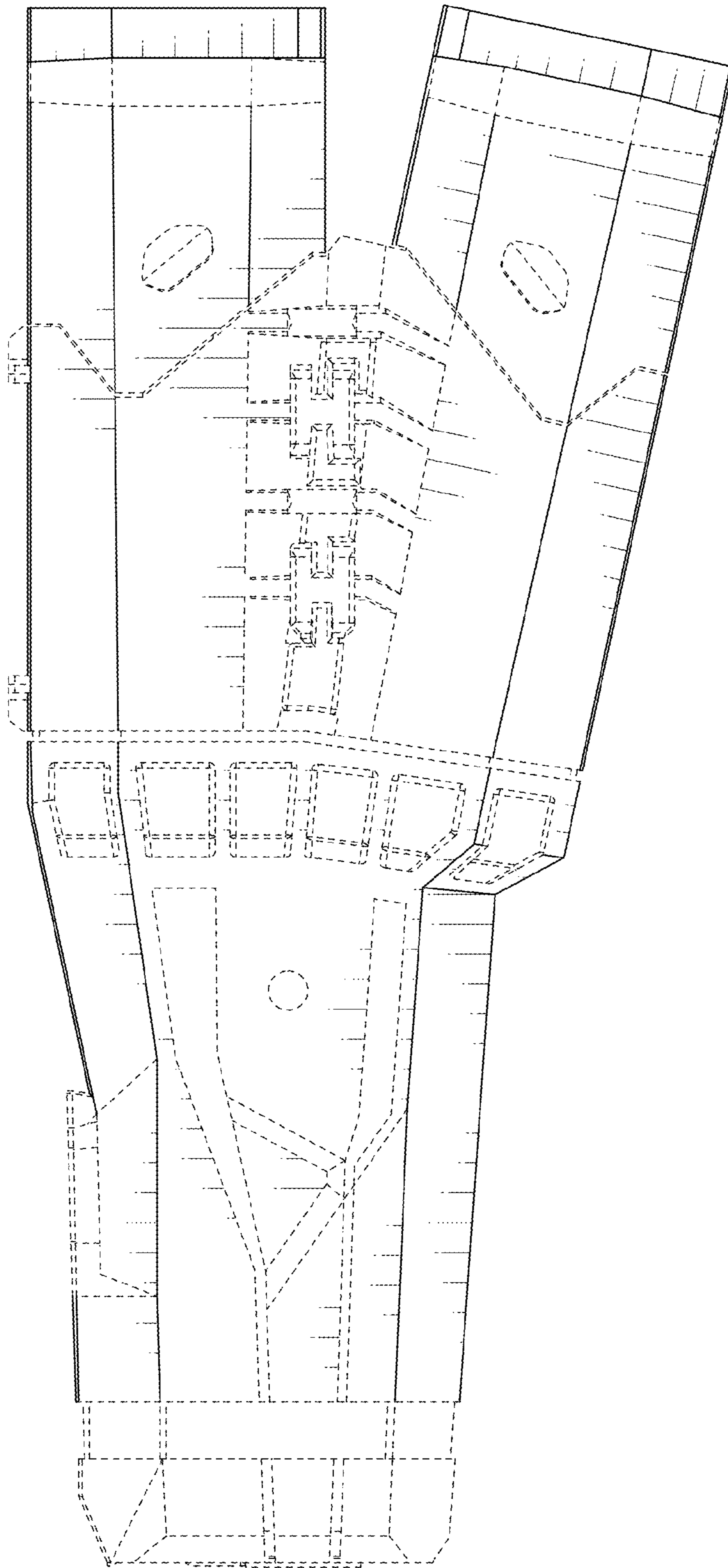


FIG. 5

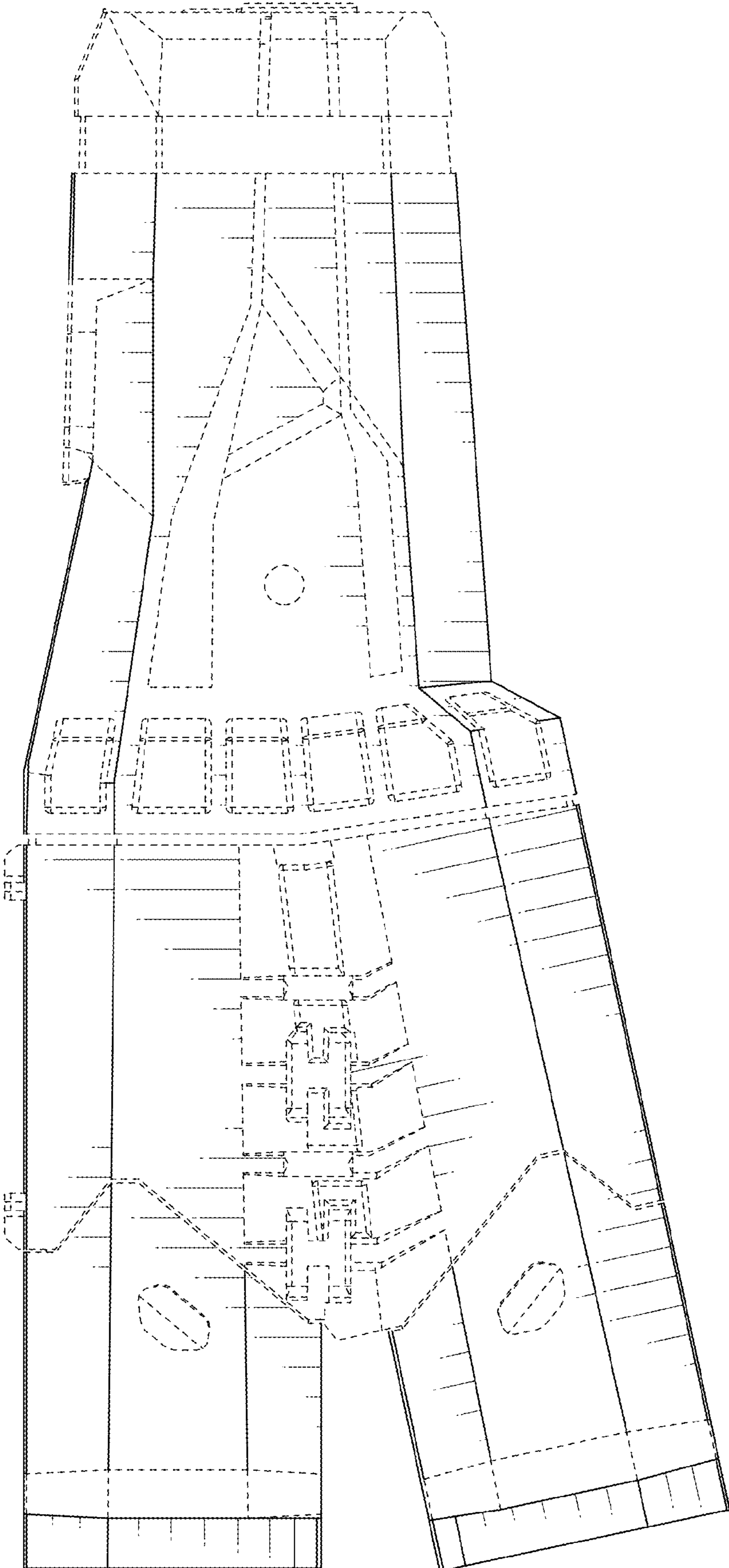


FIG. 6

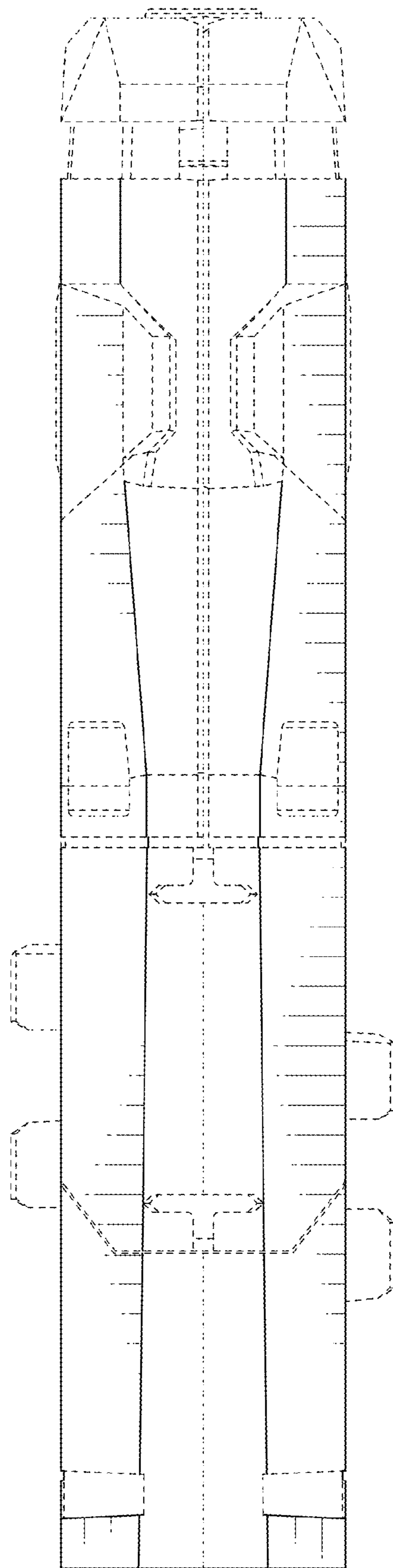


FIG. 7

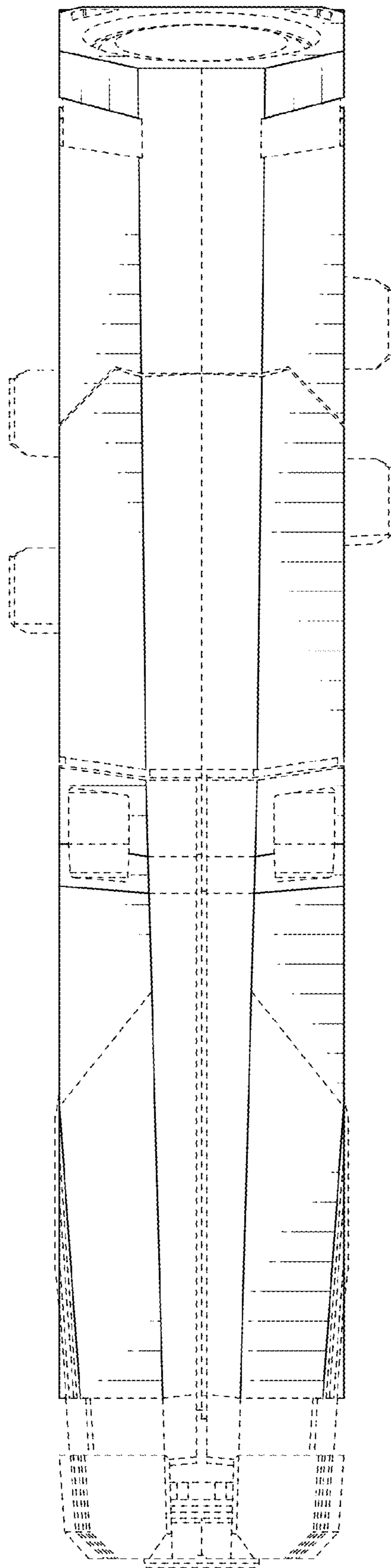


FIG. 8