



US00D903035S

(12) **United States Design Patent**  
**Lavin et al.**

(10) **Patent No.:** **US D903,035 S**

(45) **Date of Patent:** **\*\* Nov. 24, 2020**

(54) **CARTRIDGE FOR A CONDUCTED ELECTRICAL WEAPON**

(71) Applicant: **Axon Enterprise, Inc.**, Scottsdale, AZ (US)

(72) Inventors: **Albert K. Lavin**, Scottsdale, AZ (US);  
**Milan Cerovic**, Scottsdale, AZ (US);  
**Luke A. Salisbury**, Scottsdale, AZ (US)

(73) Assignee: **Axon Enterprise, Inc.**, Scottsdale, AZ (US)

(\*\*) Term: **15 Years**

(21) Appl. No.: **29/691,784**

(22) Filed: **May 20, 2019**

(51) **LOC (12) Cl.** ..... **22-01**

(52) **U.S. Cl.**  
USPC ..... **D22/108**

(58) **Field of Classification Search**  
USPC ..... D22/108, 117  
CPC ..... F41B 11/55; F41B 11/51; F41B 11/62  
See application file for complete search history.

(56) **References Cited**

**U.S. PATENT DOCUMENTS**

D323,870 S	*	2/1992	Kaufman	.....	D22/117
D371,417 S	*	7/1996	Franks	.....	D14/191
D451,165 S	*	11/2001	Fleischhauer	.....	D22/117
D470,212 S	*	2/2003	Cardwell, III	.....	D22/117
D539,376 S	*	3/2007	Rhee	.....	D22/117

D539,866 S	*	4/2007	Rhee	.....	D22/117
D552,207 S	*	10/2007	Rhee	.....	D22/117
D570,948 S	*	6/2008	Cerovic	.....	D22/108
D573,223 S	*	7/2008	Kostal	.....	D22/117
D602,109 S	*	10/2009	Cerovic	.....	D22/108
D611,115 S	*	3/2010	Pennington	.....	D22/117
D651,679 S	*	1/2012	Klug	.....	D22/108
D661,771 S	*	6/2012	Nawaz	.....	D22/117
D702,312 S	*	4/2014	Ying	.....	D22/117
D731,612 S	*	6/2015	Ying	.....	D22/117
D736,885 S	*	8/2015	Swan	.....	D22/108
D747,522 S	*	1/2016	Sheikh	.....	D22/117
D784,484 S	*	4/2017	Nawaz	.....	D22/117
D791,901 S	*	7/2017	Swan	.....	D22/108
D806,824 S	*	1/2018	Fan	.....	D22/117

\* cited by examiner

*Primary Examiner* — Michael A. Pratt

(74) *Attorney, Agent, or Firm* — Banner & Witcoff, Ltd.

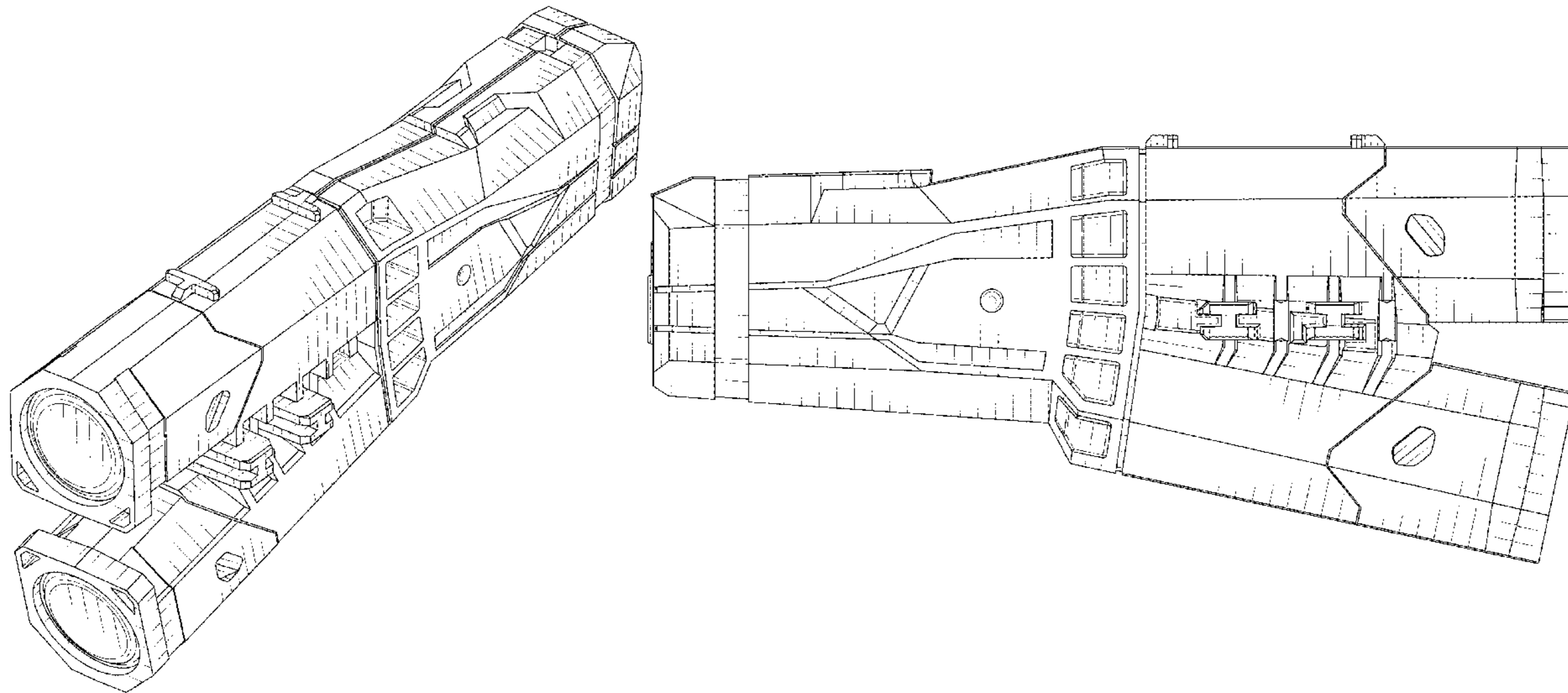
(57) **CLAIM**

The ornamental design for a cartridge for a conducted electrical weapon, as shown and described.

**DESCRIPTION**

FIG. 1 is a top, front, right perspective view of a cartridge for a conducted electrical weapon showing our new design; FIG. 2 is a bottom, rear, left perspective view thereof; FIG. 3 is a front view thereof; FIG. 4 is a rear view thereof; FIG. 5 is a left side view thereof; FIG. 6 is a right side view thereof; FIG. 7 is a top view thereof; and, FIG. 8 is a bottom view thereof.

**1 Claim, 7 Drawing Sheets**



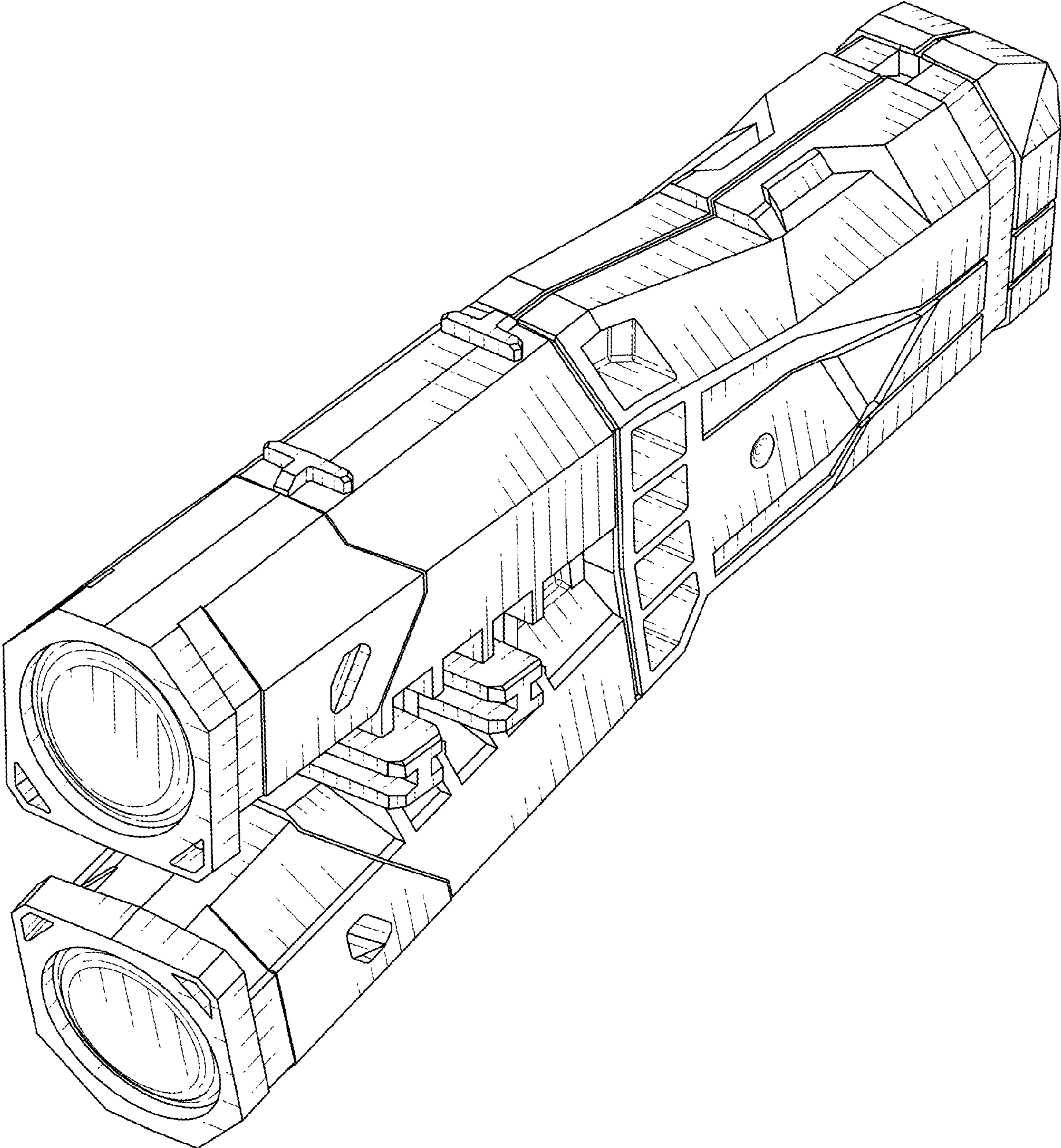


FIG. 1

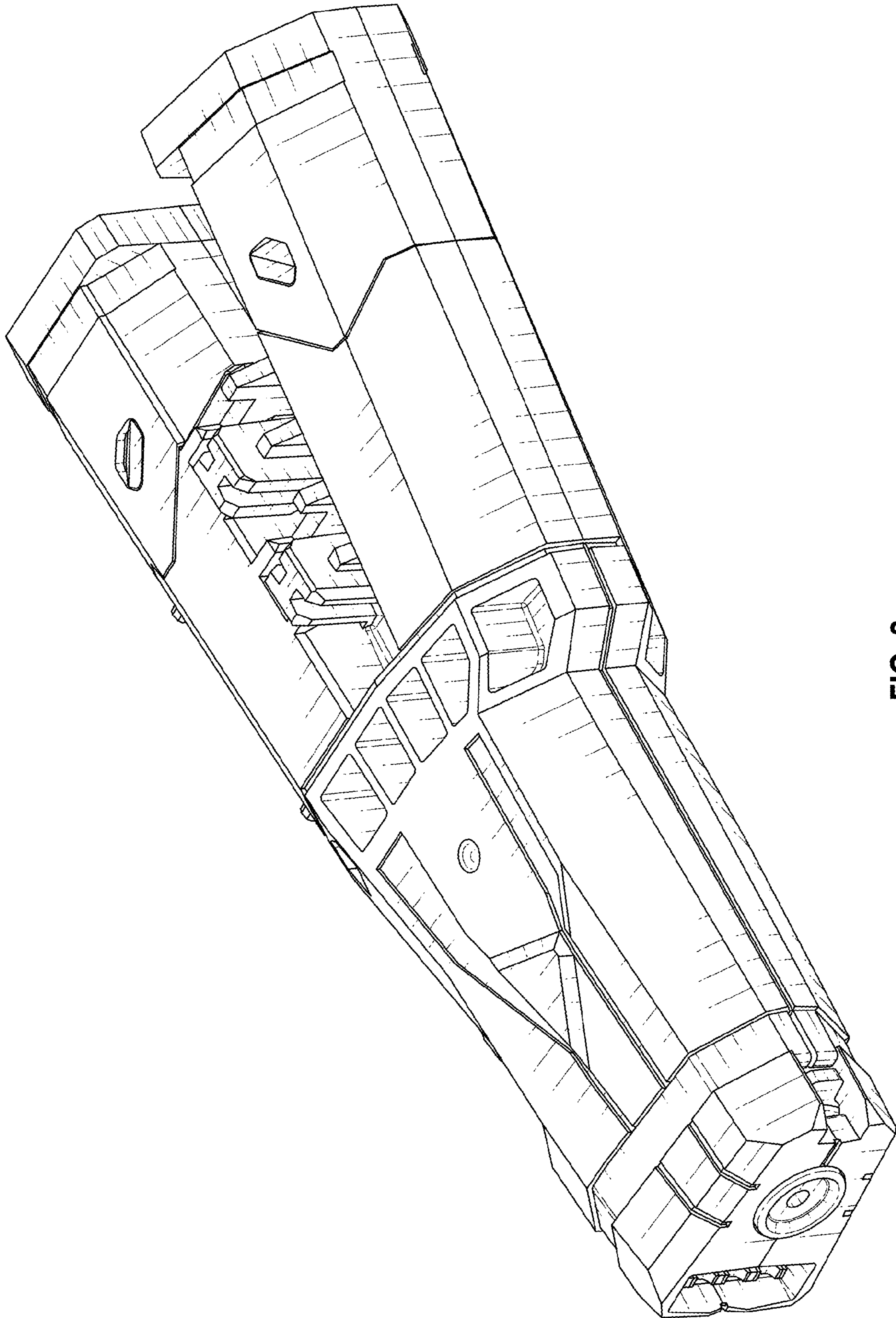


FIG. 2

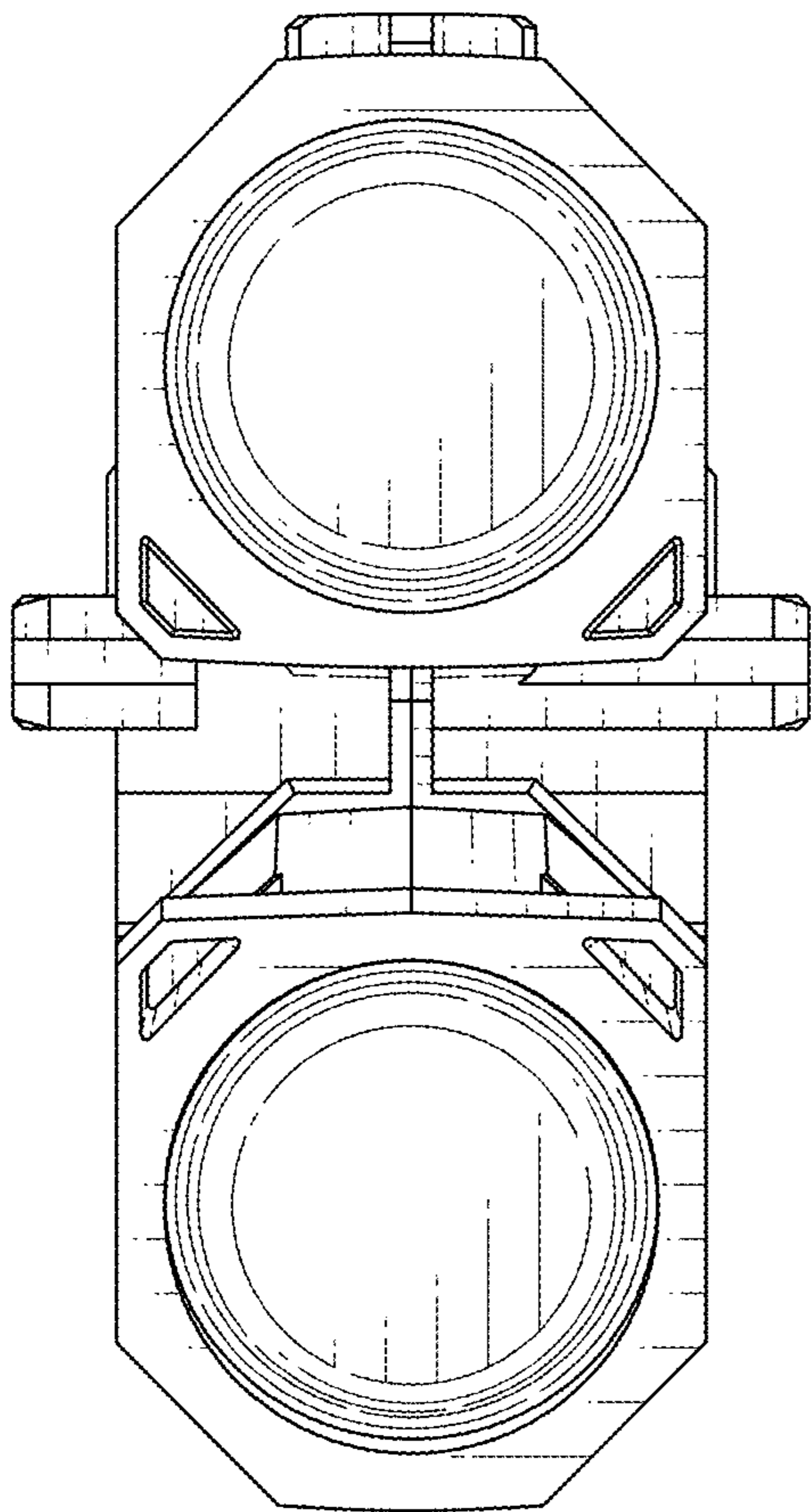


FIG. 3

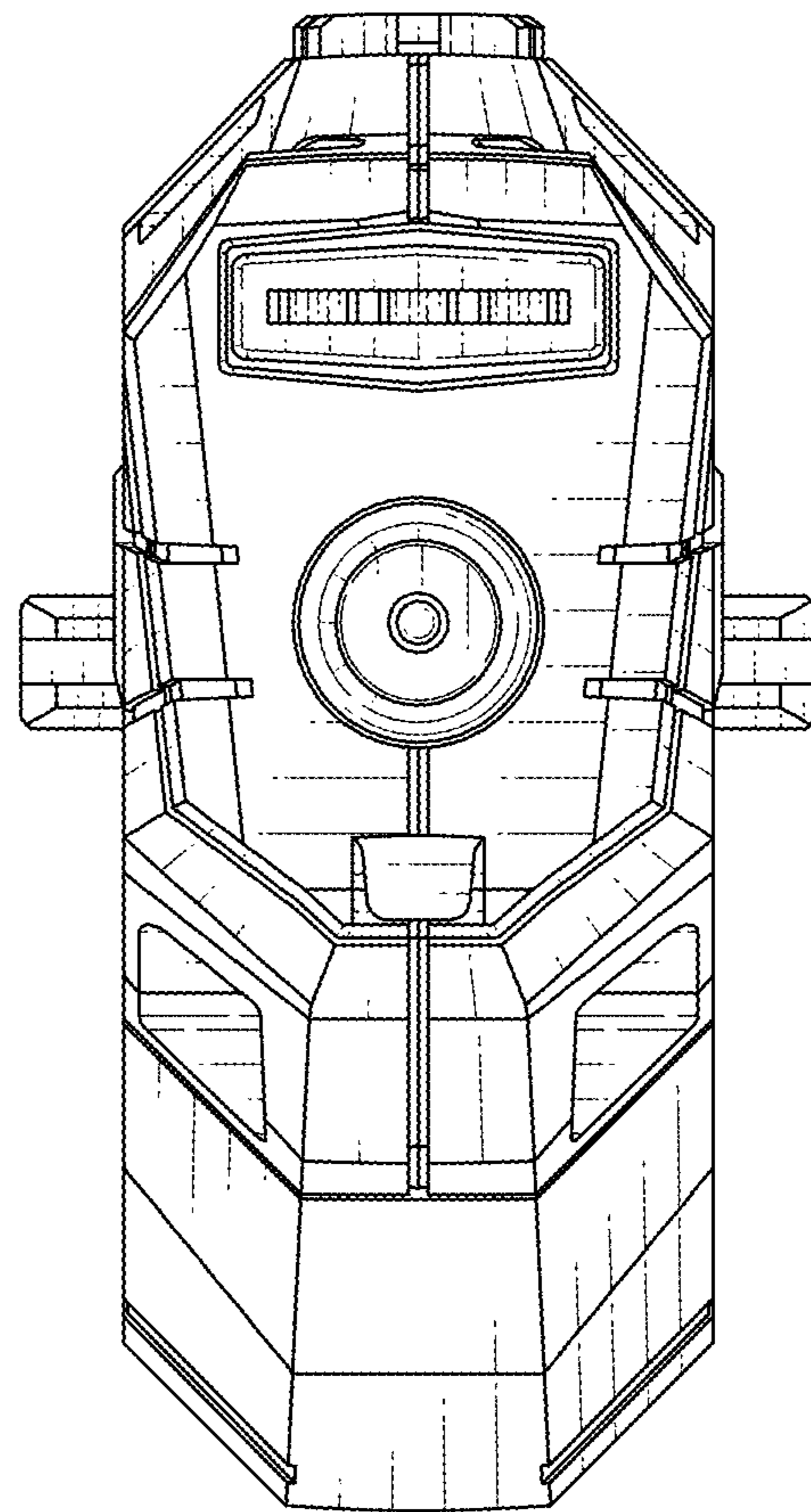


FIG. 4

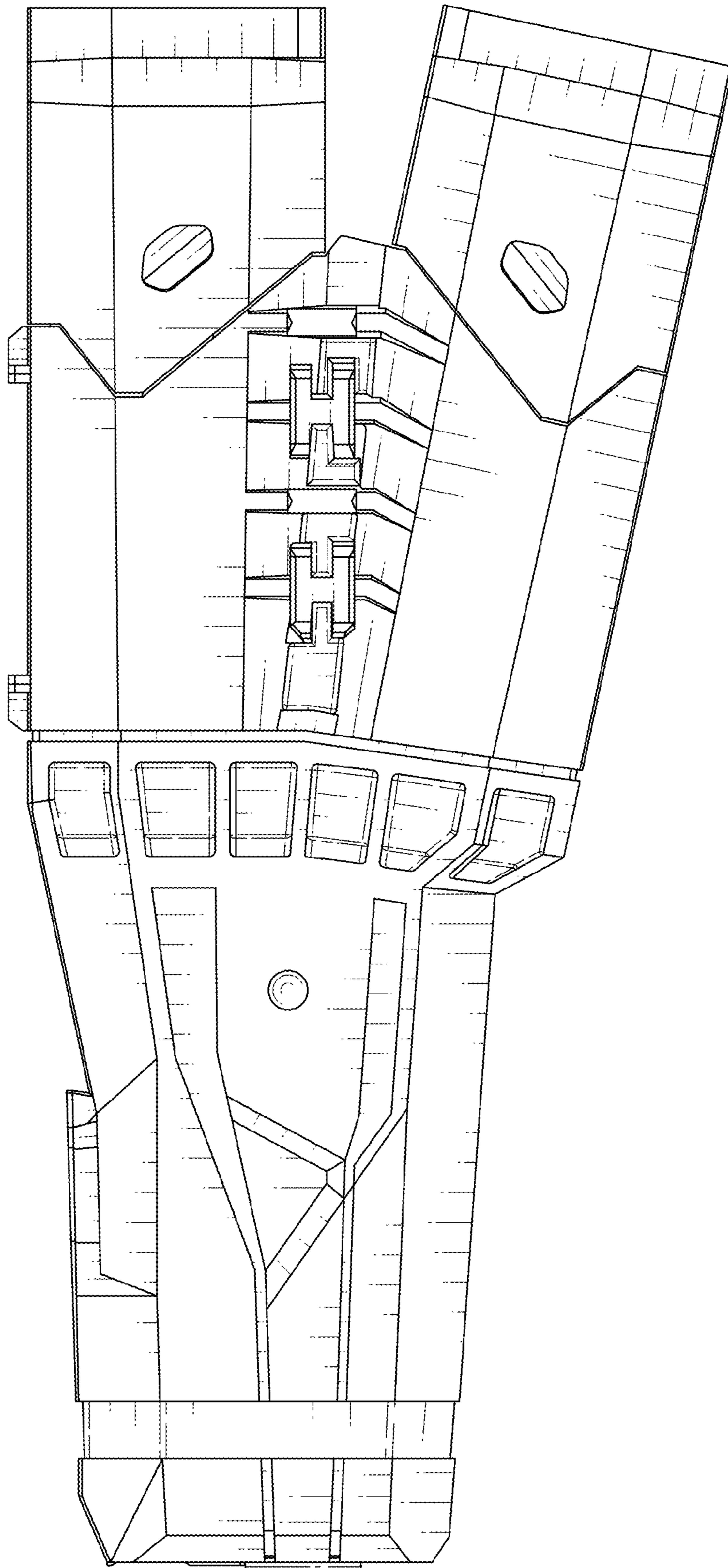


FIG. 5

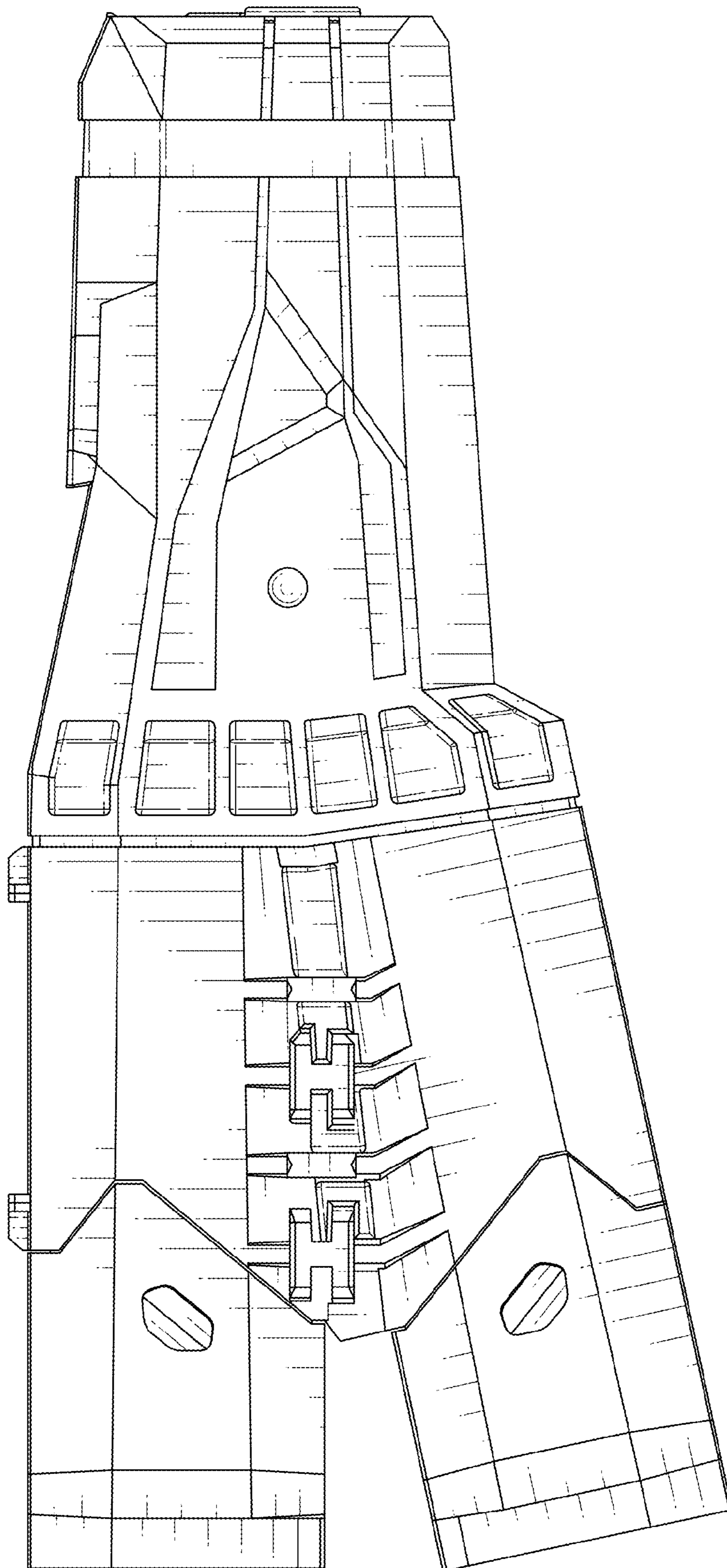


FIG. 6

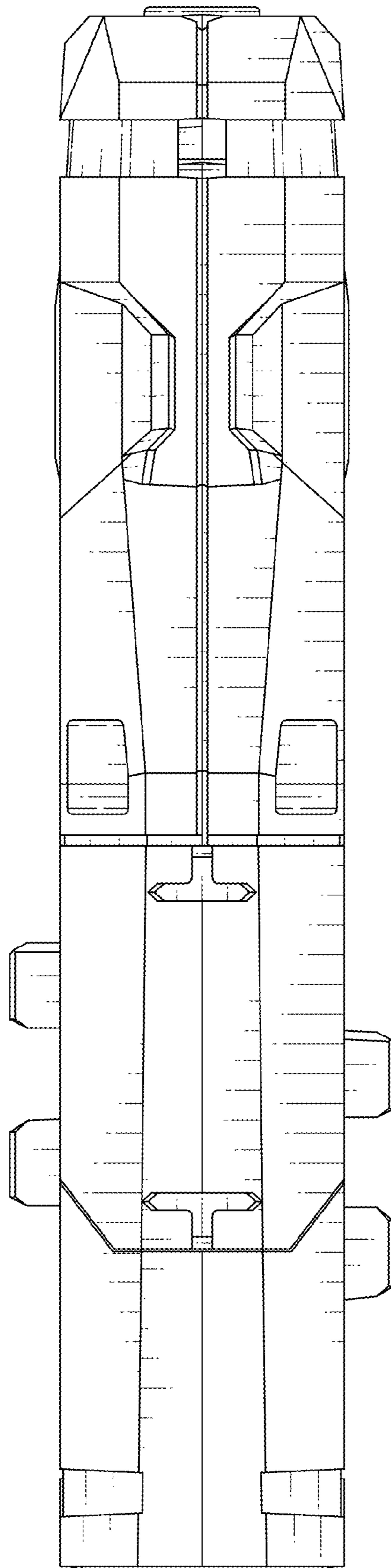


FIG. 7

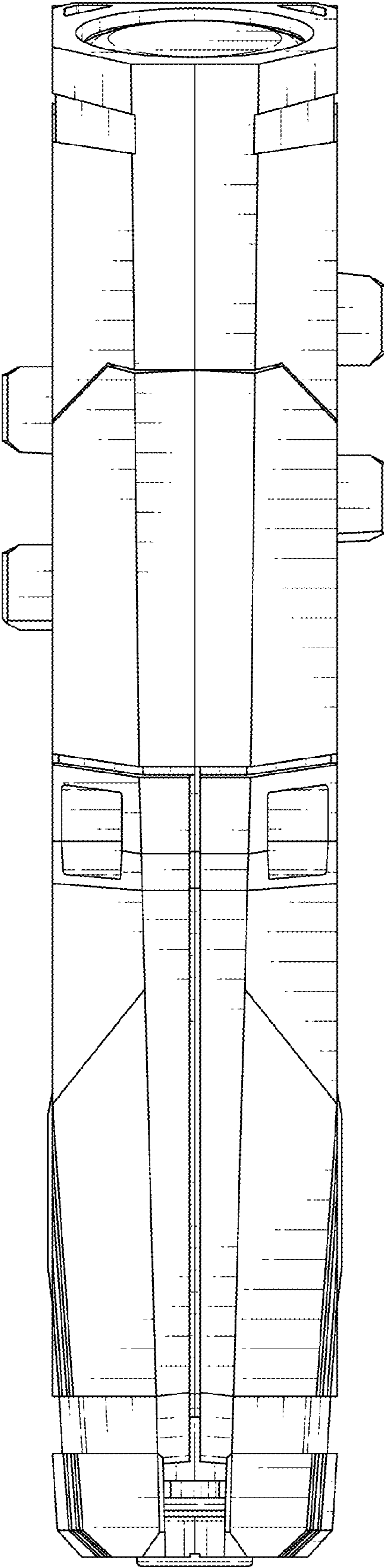


FIG. 8