



US00D903033S

(12) **United States Design Patent**  
**Haas**

(10) **Patent No.:** **US D903,033 S**

(45) **Date of Patent:** **\*\* Nov. 24, 2020**

- (54) **BOW STRING RELEASE**
- (71) Applicant: **FeraDyne Outdoors, LLC**, Superior, WI (US)
- (72) Inventor: **Matthew Peter Haas**, Duluth, MN (US)
- (73) Assignee: **FeraDyne Outdoors, LLC**, Superior, WI (US)
- (\*\*) Term: **15 Years**
- (21) Appl. No.: **29/640,155**
- (22) Filed: **Mar. 12, 2018**

- 5,685,286 A \* 11/1997 Summers ..... F41B 5/1469  
124/35.2
- 5,694,915 A \* 12/1997 Summers ..... F41B 5/1469  
124/35.2
- 5,715,805 A \* 2/1998 Summers ..... F41B 5/1415  
124/35.2
- 5,803,068 A \* 9/1998 Summers ..... F41B 5/1469  
124/35.2

(Continued)

*Primary Examiner* — Khawaja Anwar  
*Assistant Examiner* — Mojtaba Tehrani  
 (74) *Attorney, Agent, or Firm* — Greenberg Traurig, LLP;  
 Dipak J. Shah

**Related U.S. Application Data**

- (63) Continuation of application No. PCT/US2017/057105, filed on Oct. 18, 2017.
- (51) **LOC (12) Cl.** ..... **22-01**
- (52) **U.S. Cl.**  
USPC ..... **D22/107; D21/571**
- (58) **Field of Classification Search**  
USPC ..... D22/100, 101, 102, 103, 104, 105, 106, D22/107, 108, 109, 110, 111, 115, 116, D22/199; D21/300, 301, 302, 306, 334, D21/335, 443, 571, 573–575, 746  
CPC ..... F41C 23/14; F41C 23/20; F41C 23/04; F41C 23/00; F41C 23/10; F41C 27/00; F41C 7/00; F41C 23/06; F41C 3/00; F41B 5/10; F41B 5/14; F41B 5/0094; F41B 5/1469; F41B 5/00  
See application file for complete search history.

(57) **CLAIM**

The ornamental design for a bow string release, as shown and described.

**DESCRIPTION**

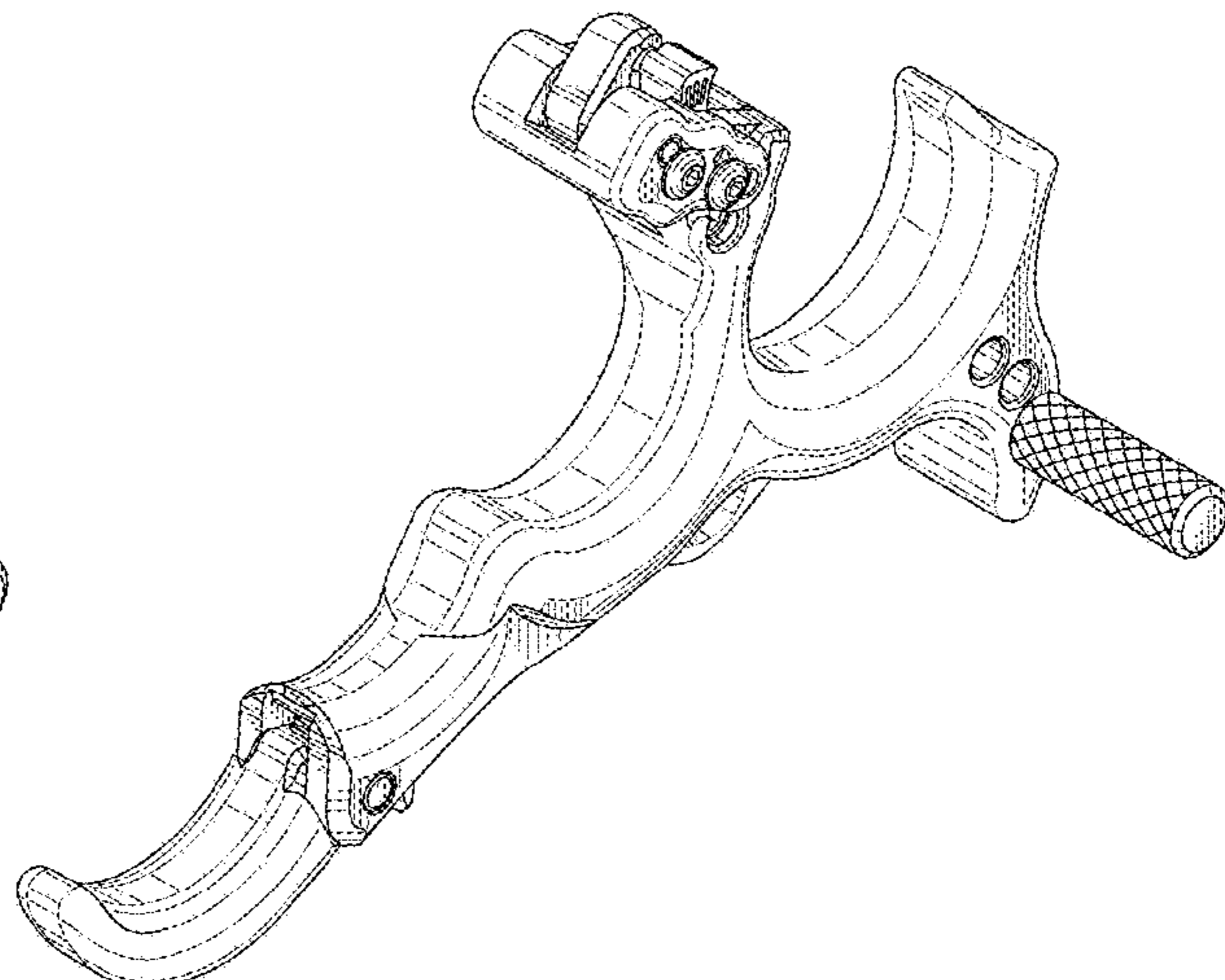
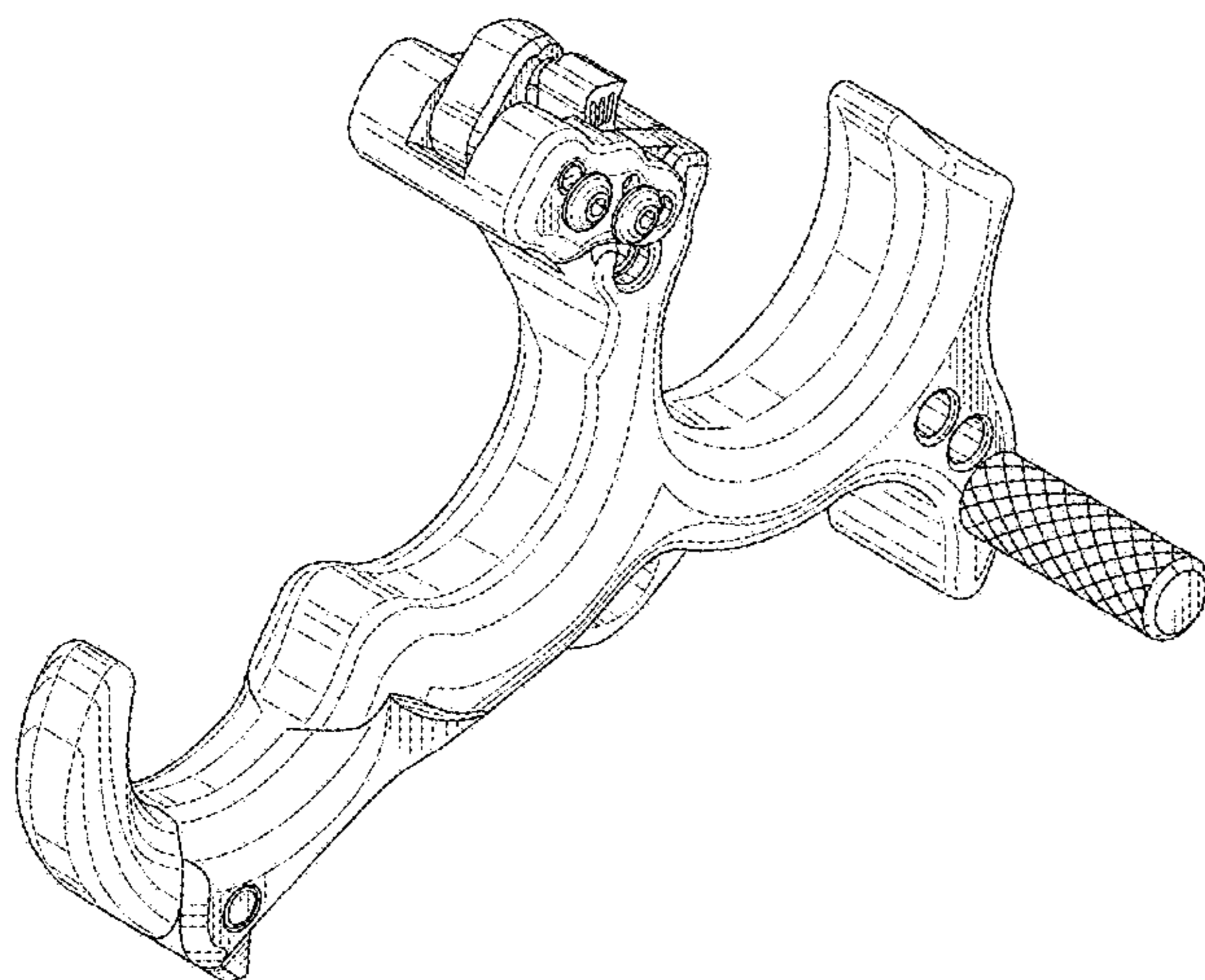
FIG. 1 is a perspective view of the first embodiment of a bow string release, showing my new design;  
 FIG. 2 is a side view thereof;  
 FIG. 3 is an opposite side view thereof;  
 FIG. 4 is a front view thereof;  
 FIG. 5 is a rear view thereof;  
 FIG. 6 is a top view thereof;  
 FIG. 7 is a bottom view thereof;  
 FIG. 8 is a perspective view of the second embodiment of a bow string release;  
 FIG. 9 is a side view thereof;  
 FIG. 10 is an opposite side view thereof;  
 FIG. 11 is a front view thereof;  
 FIG. 12 is a rear view thereof;  
 FIG. 13 is a top view thereof;  
 FIG. 14 is a bottom view thereof; and,  
 FIG. 15 is a cross-sectional view taken along line 15-15, illustrated in FIGS. 4 and 11.  
 The broken line in the FIGS. 4 and 11 discloses the section cut lines and forms no part of the claimed design.

(56) **References Cited**

**U.S. PATENT DOCUMENTS**

- 4,930,485 A \* 6/1990 Kopper ..... F41B 5/1415  
124/23.1
- 5,564,407 A \* 10/1996 Linsmeyer ..... F41B 5/1469  
124/35.2

**1 Claim, 15 Drawing Sheets**



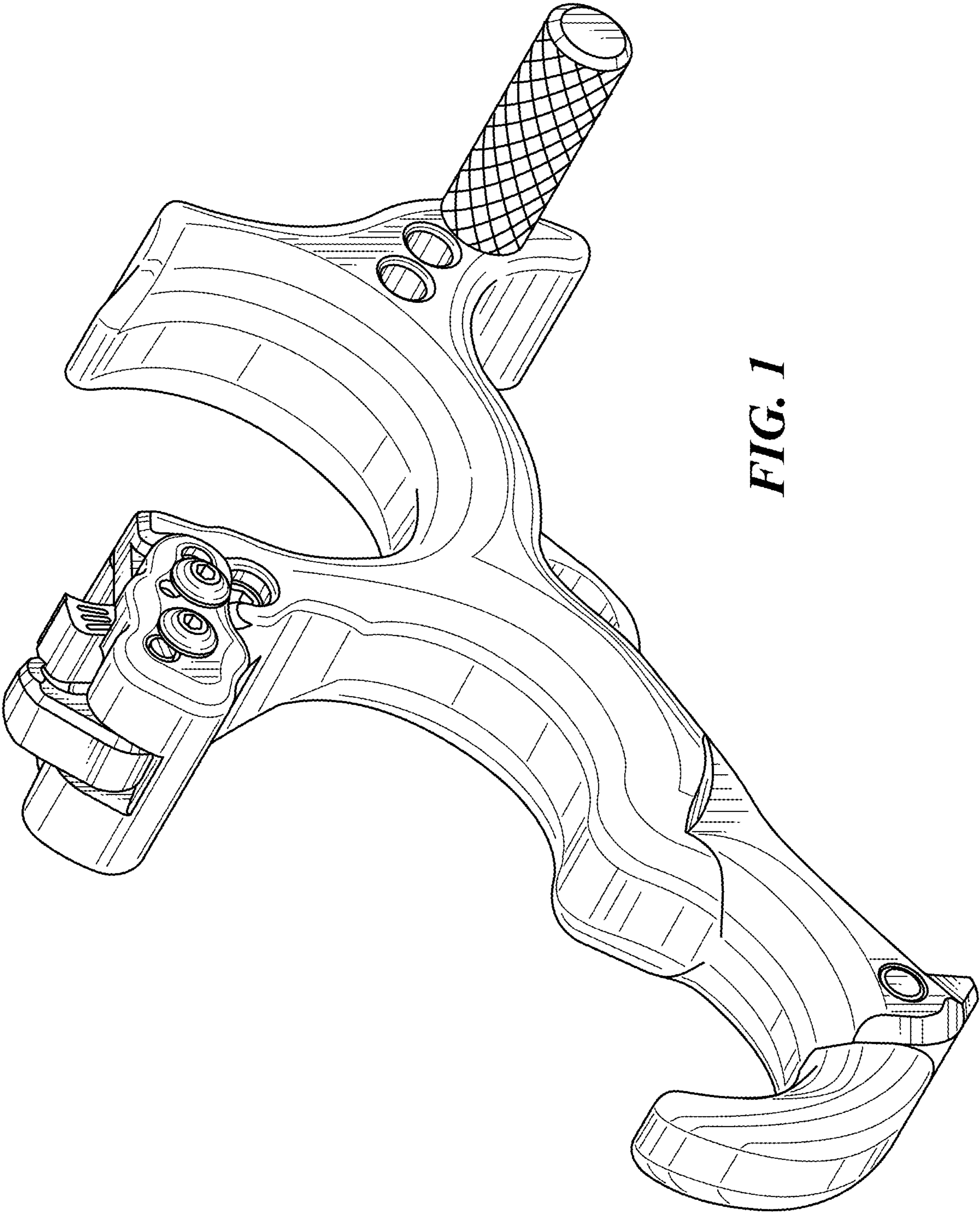
(56)

**References Cited**

## U.S. PATENT DOCUMENTS

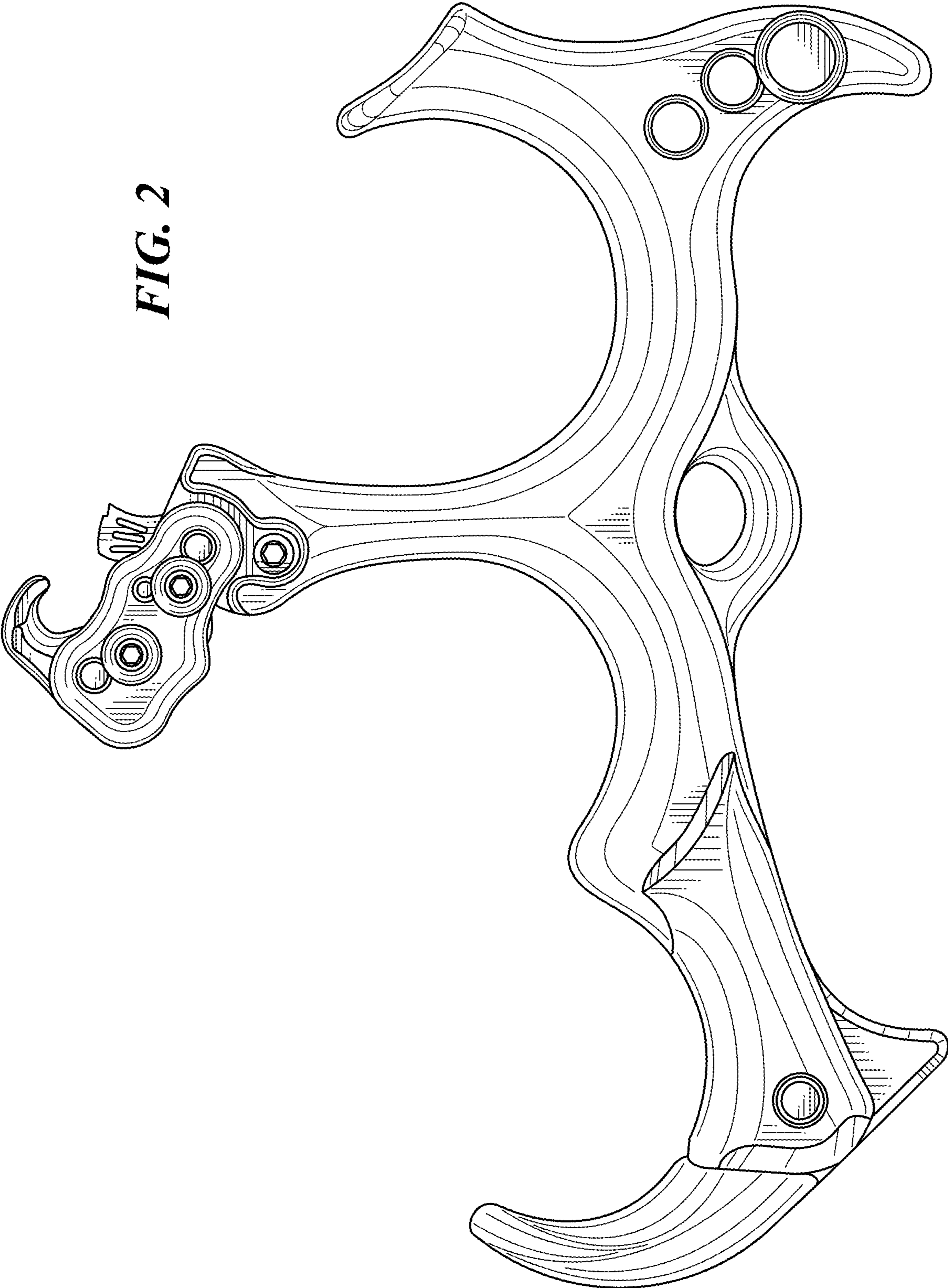
6,571,786	B2 *	6/2003	Summers	.....	F41B 5/1469 124/35.2
6,584,966	B1 *	7/2003	Summers	.....	F41B 5/1469 124/35.2
6,647,976	B2 *	11/2003	Summers	.....	F41B 5/1469 124/35.2
6,895,951	B2 *	5/2005	Summers	.....	F41B 5/1469 124/35.2
D597,164	S *	7/2009	Jones	.....	D22/107
7,926,475	B2 *	4/2011	Jones	.....	F41B 5/1469 124/35.2
8,622,051	B2 *	1/2014	Summers	.....	F41B 5/1469 124/35.2
8,746,221	B2 *	6/2014	Rentz	.....	F41B 5/1469 124/35.2
9,027,540	B2 *	5/2015	Springer	.....	F41B 5/1469 124/35.2
9,250,032	B2 *	2/2016	Kelly	.....	F41B 5/1469
9,285,183	B2 *	3/2016	Rentz	.....	F41B 5/1469
9,429,384	B2 *	8/2016	Whalen	.....	F41B 5/1469
9,557,133	B2 *	1/2017	Rentz	.....	F41B 5/1469
9,599,428	B2 *	3/2017	Trpkovski	.....	F41B 5/1469
9,612,077	B2 *	4/2017	Kelly	.....	F41B 5/1469
9,618,295	B1 *	4/2017	Rentz	.....	F41B 5/1469
9,702,658	B2 *	7/2017	Horn	.....	F41B 5/1469
D816,792	S *	5/2018	Kelly	.....	D22/107
10,145,646	B2 *	12/2018	Kelly	.....	F41B 5/1469
2017/0176129	A1 *	6/2017	Haas	.....	B25G 1/01
2019/0265000	A1 *	8/2019	Haas	.....	F41B 5/1469

\* cited by examiner

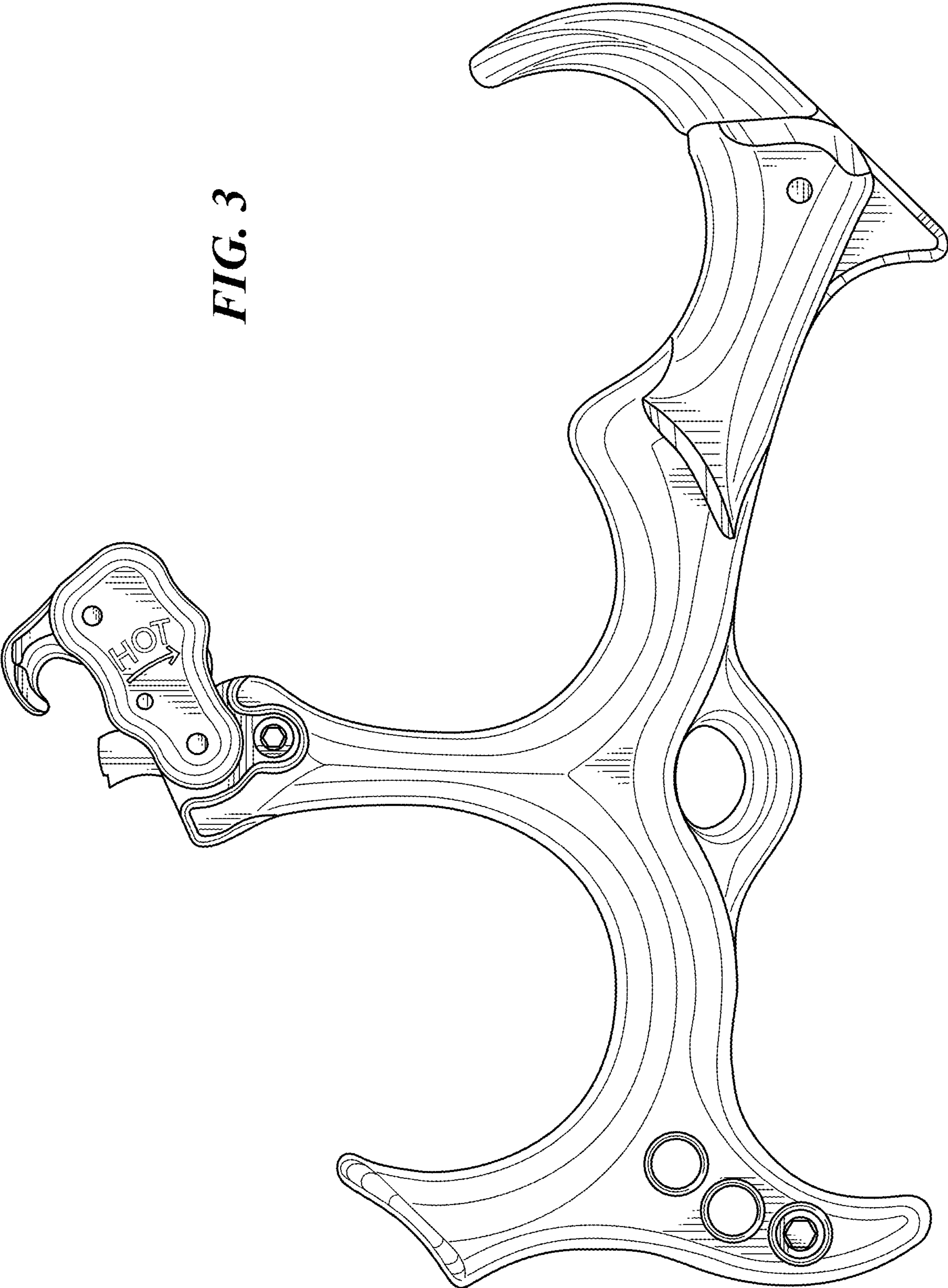


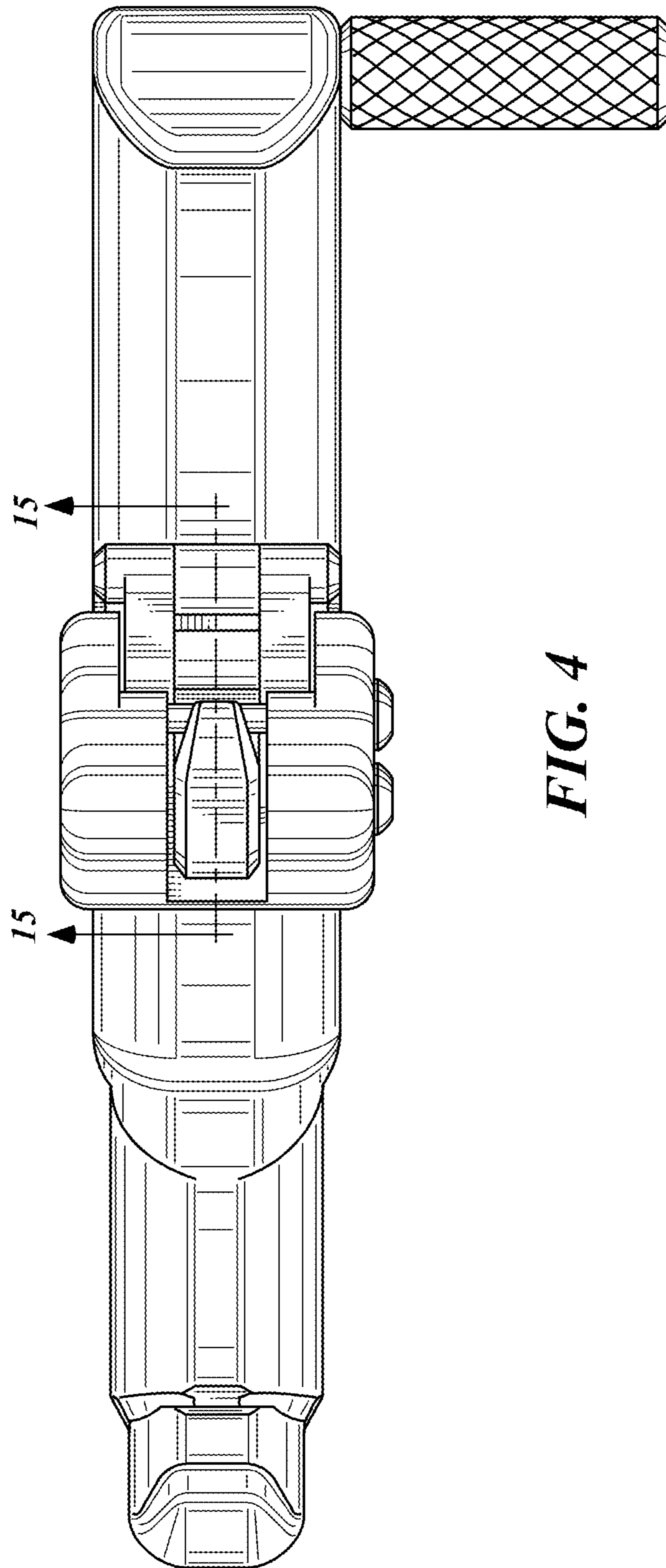
**FIG. 1**

**FIG. 2**

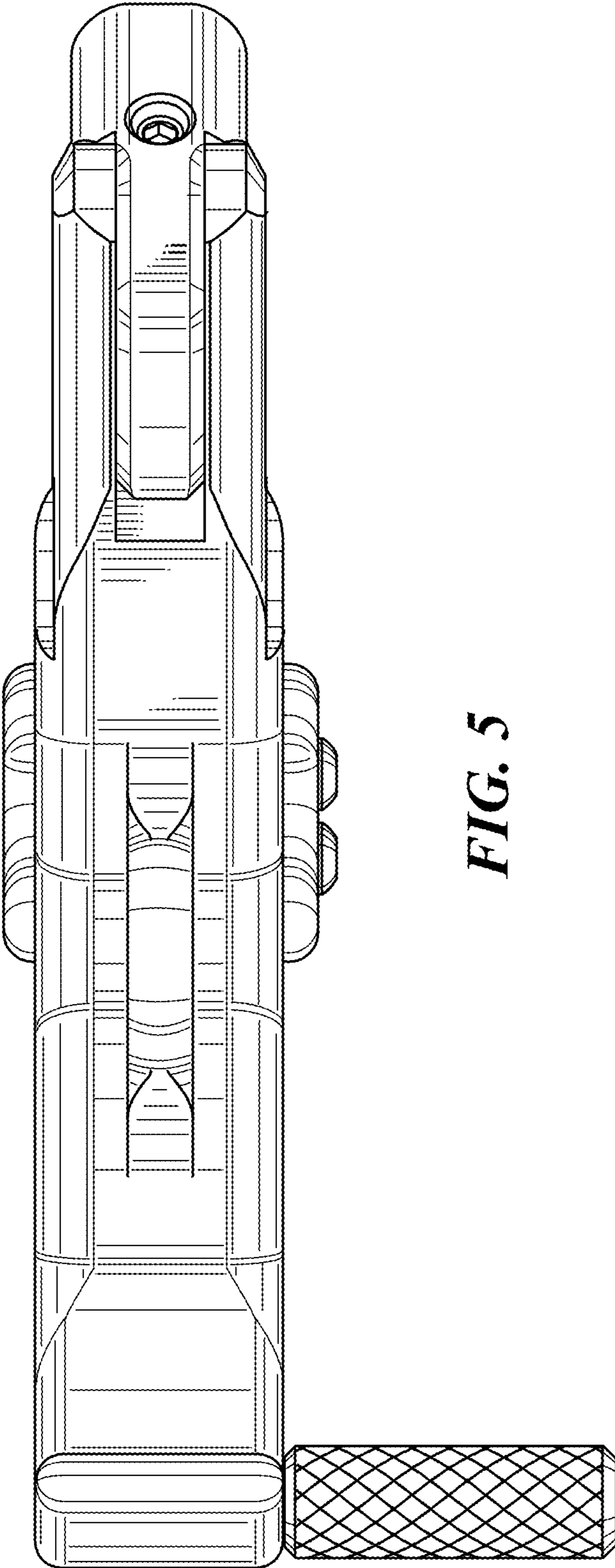


**FIG. 3**

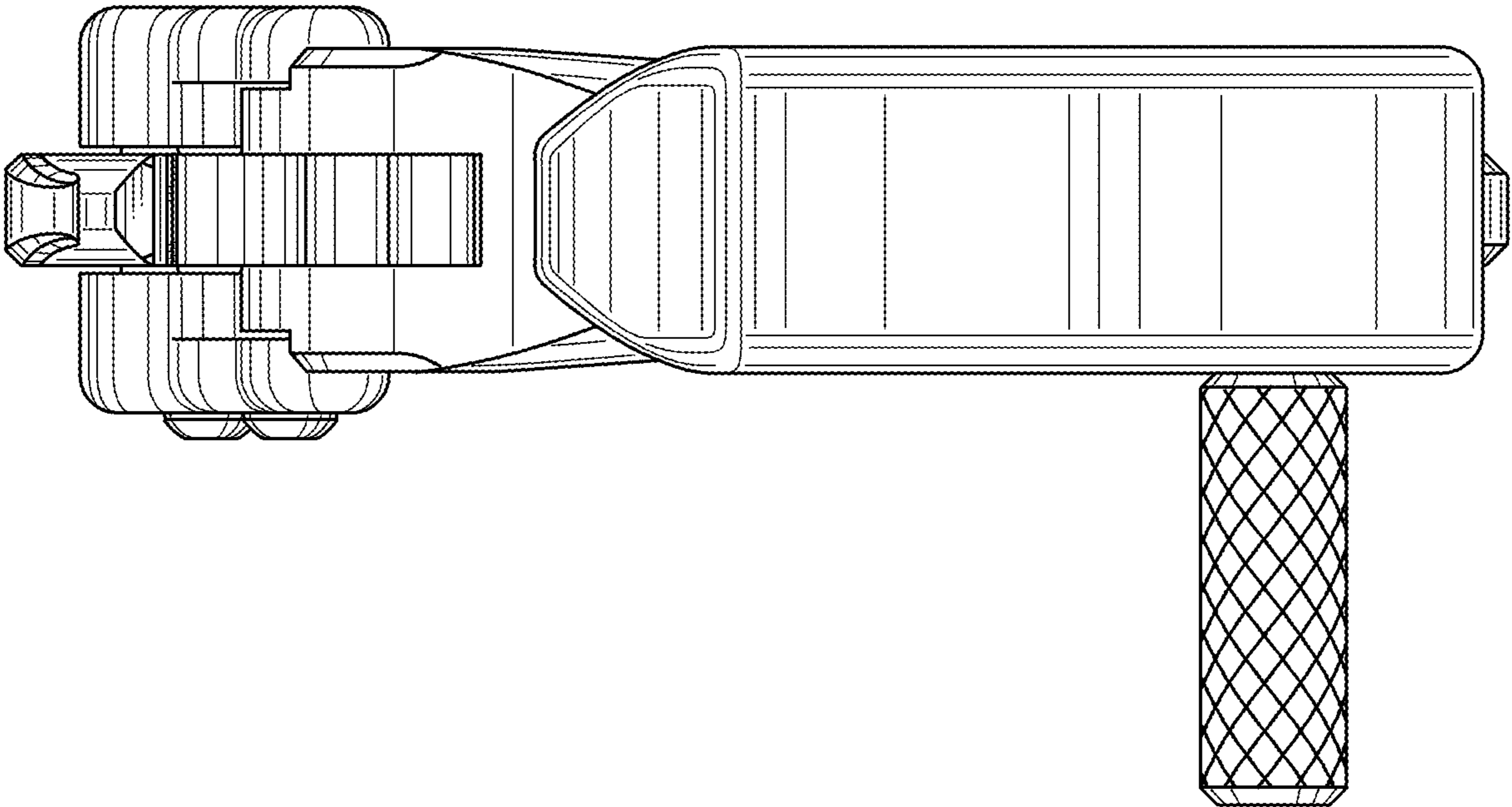




**FIG. 4**



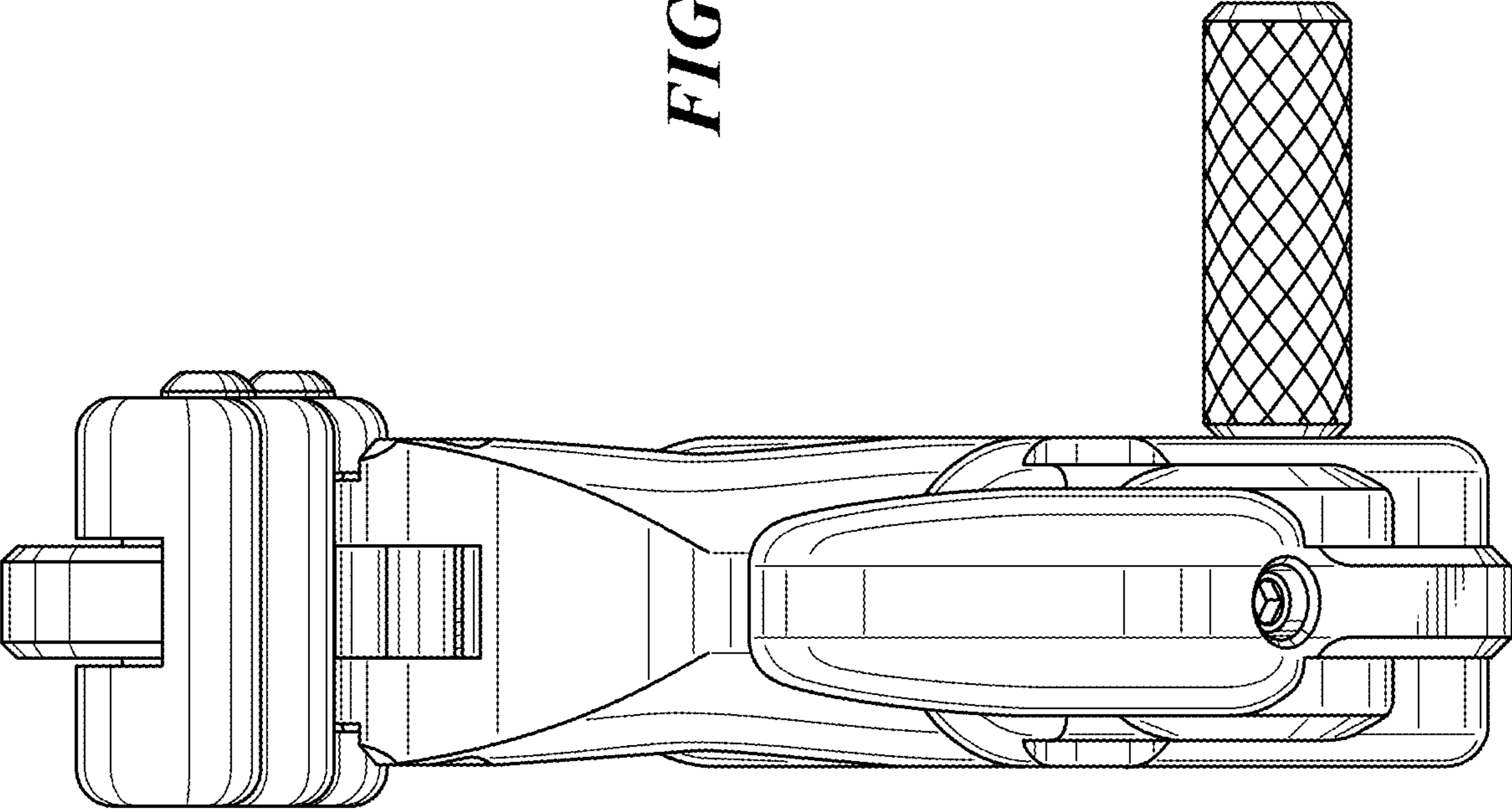
**FIG. 5**

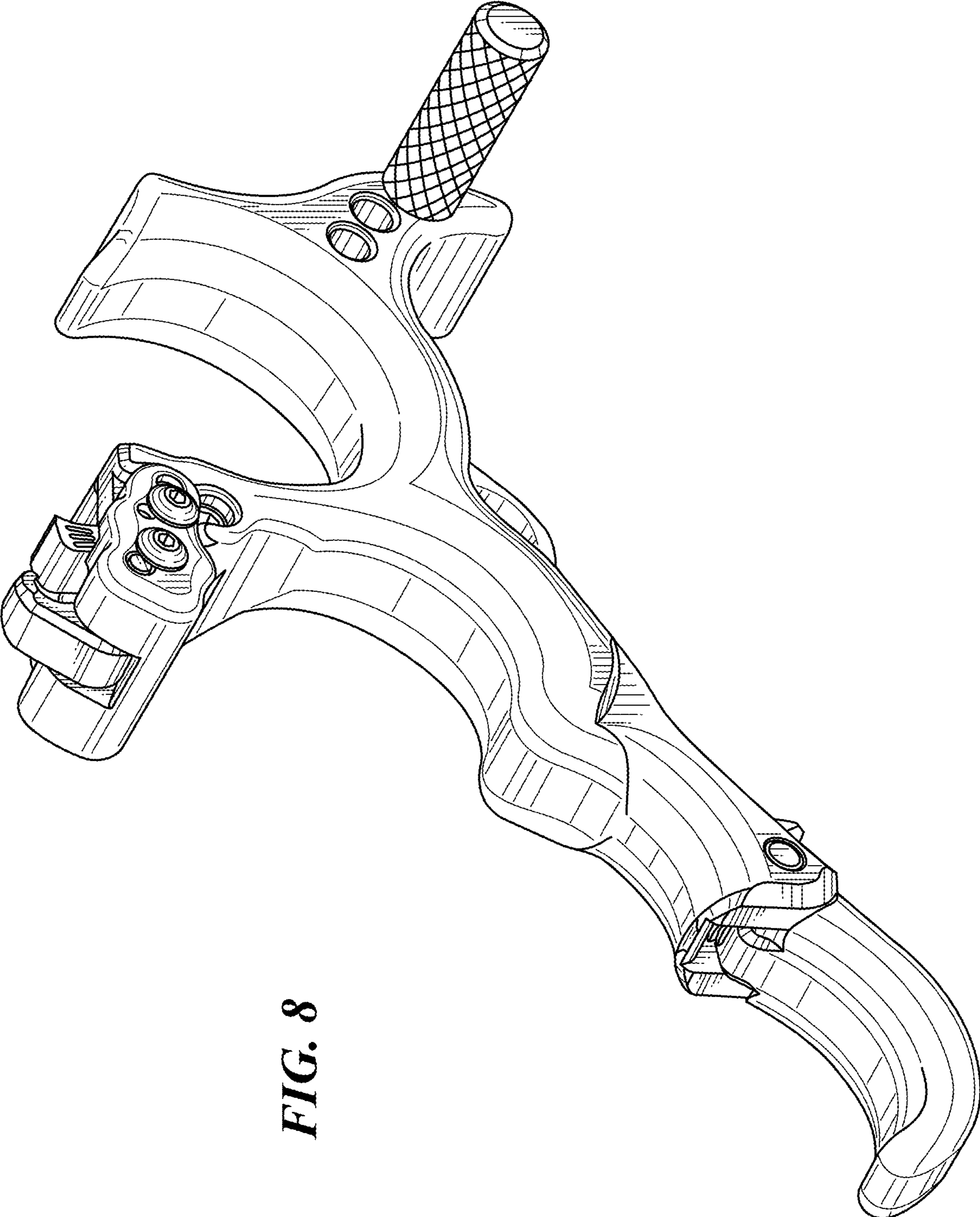


**FIG. 6**

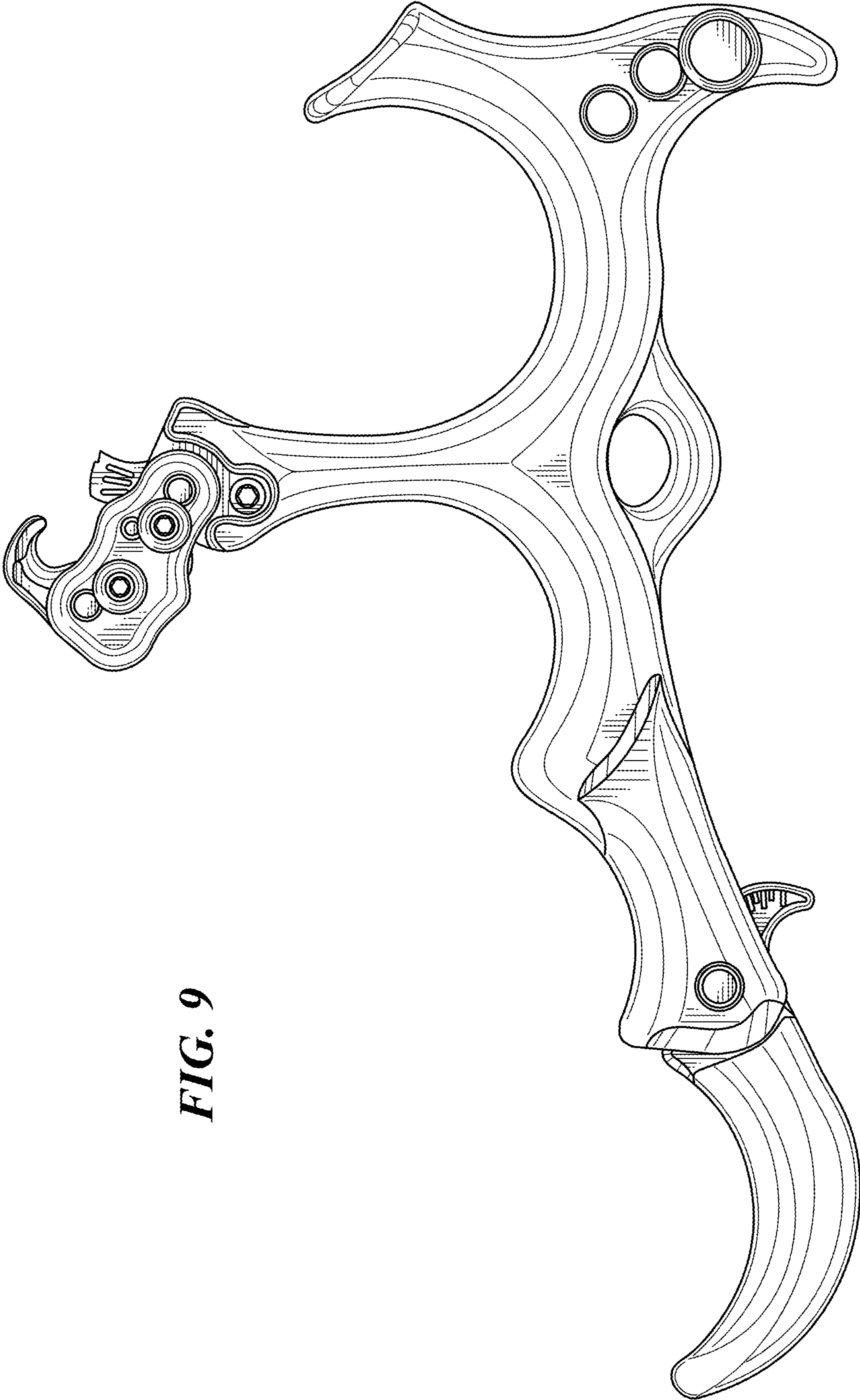


*FIG. 7*

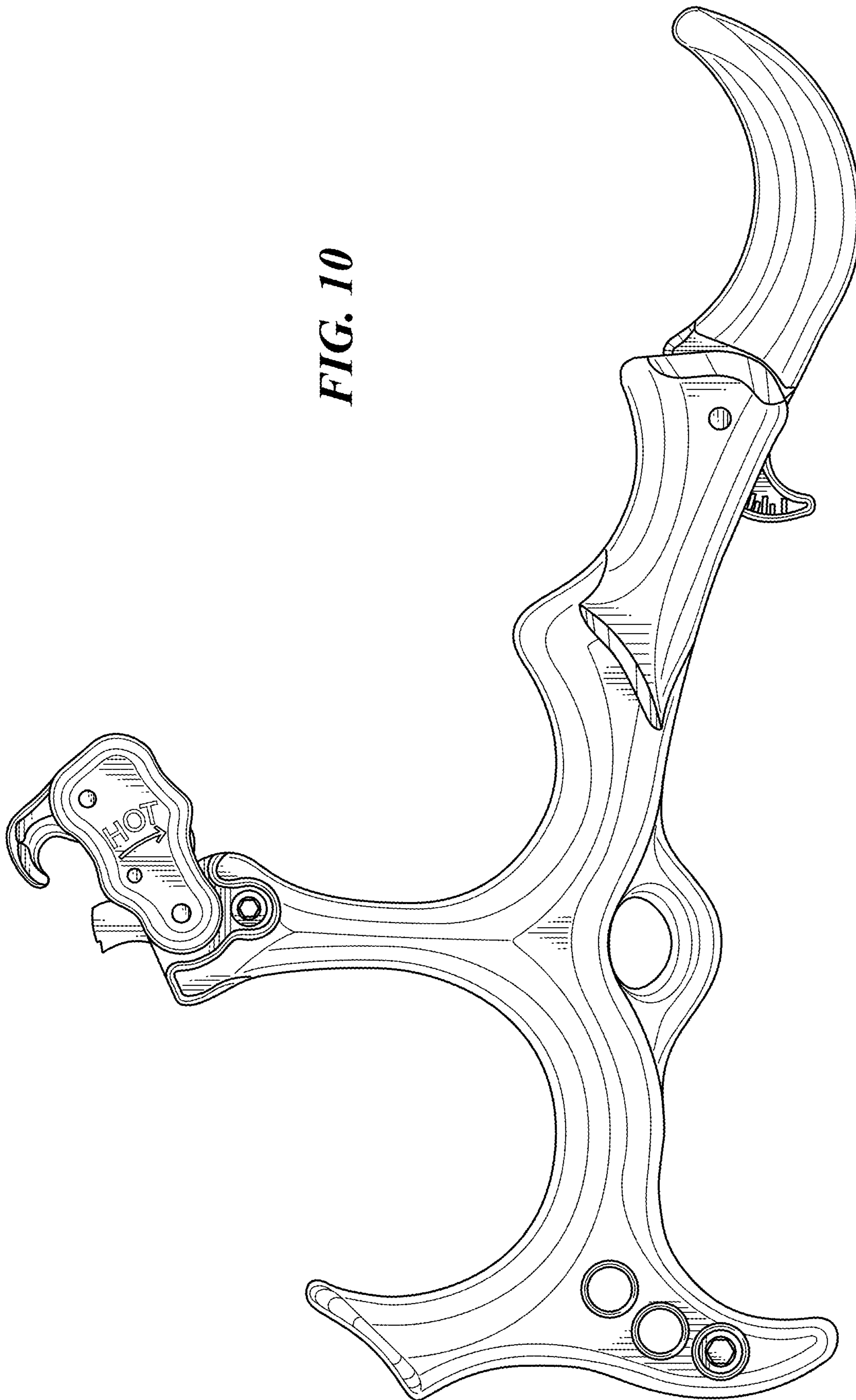




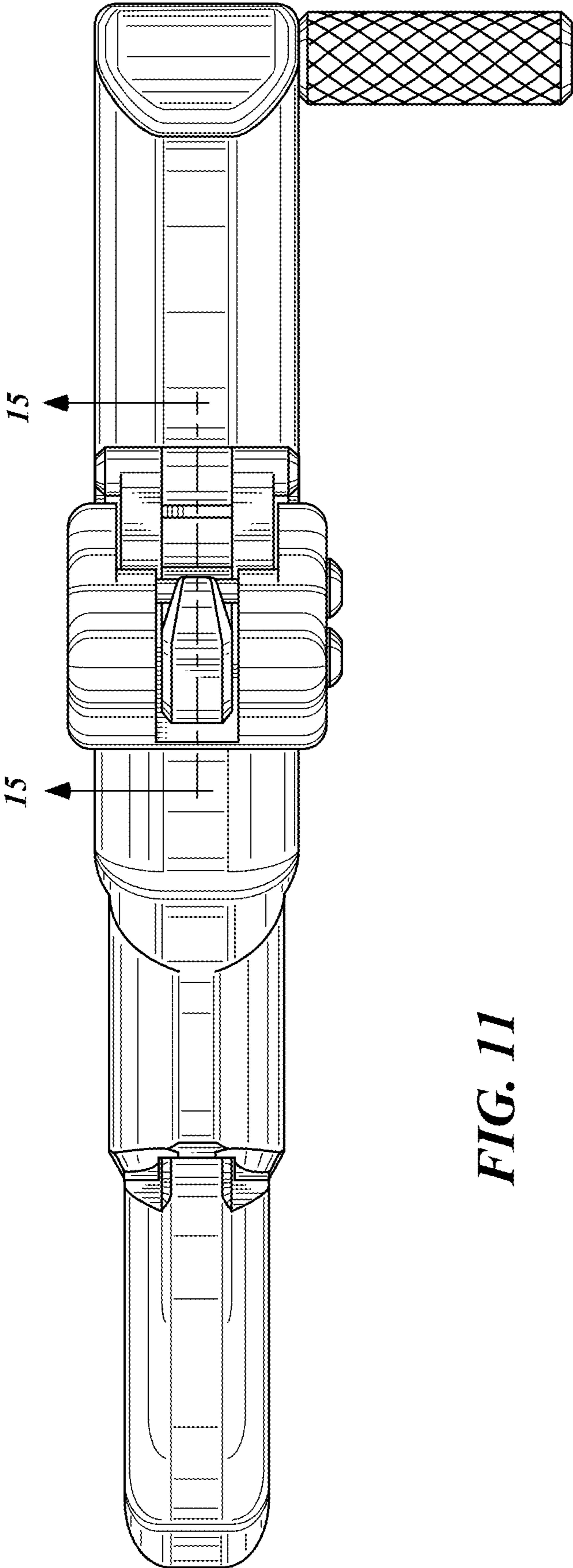
**FIG. 8**



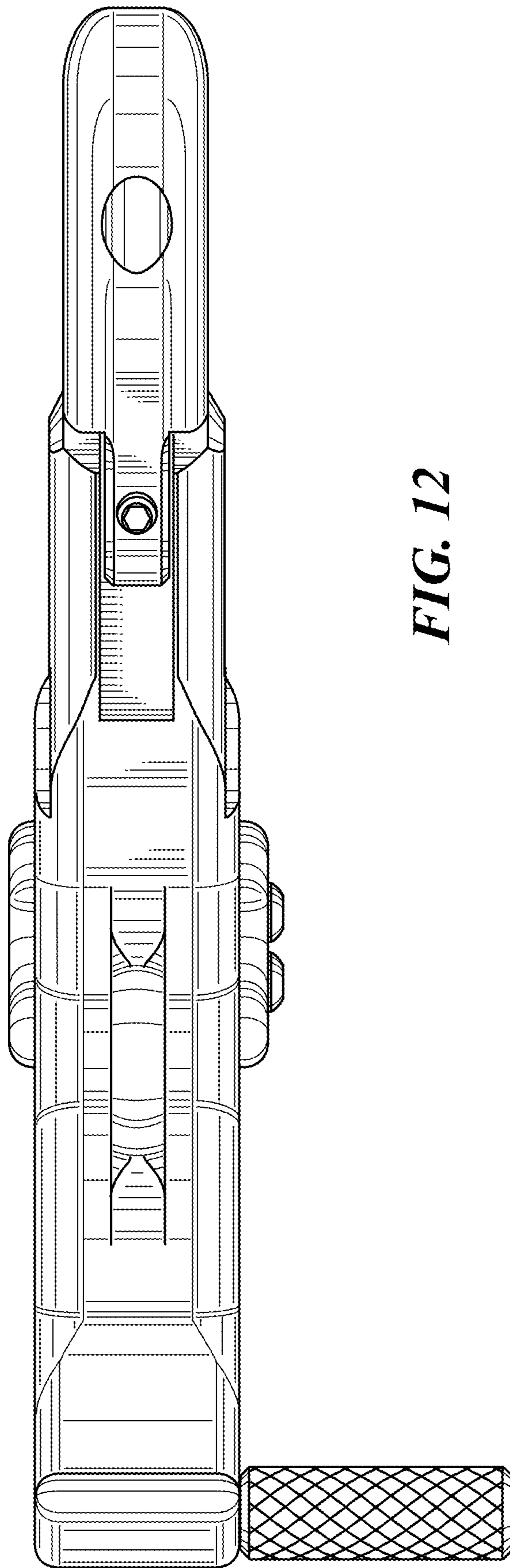
**FIG. 9**



**FIG. 10**

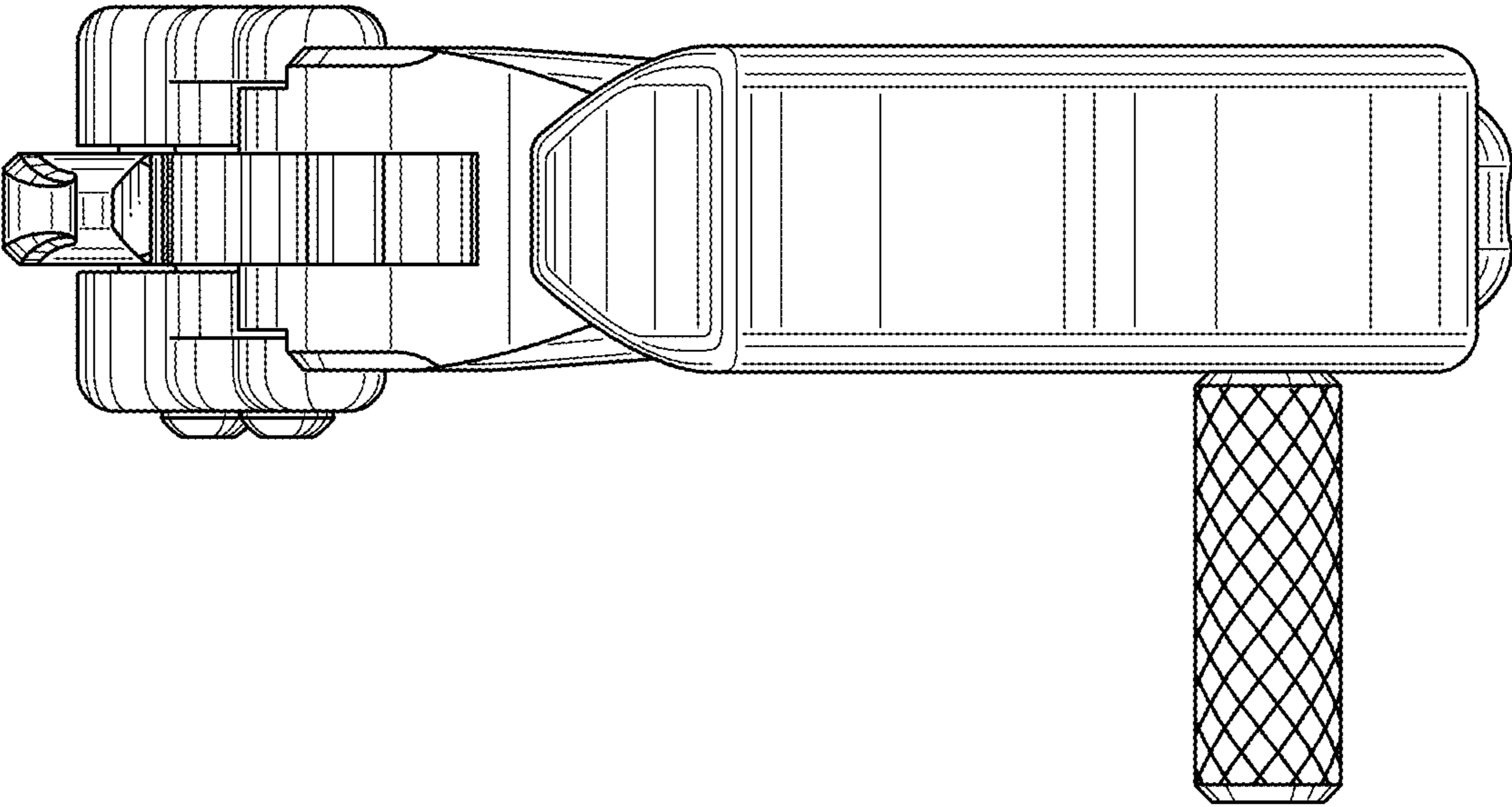


**FIG. 11**

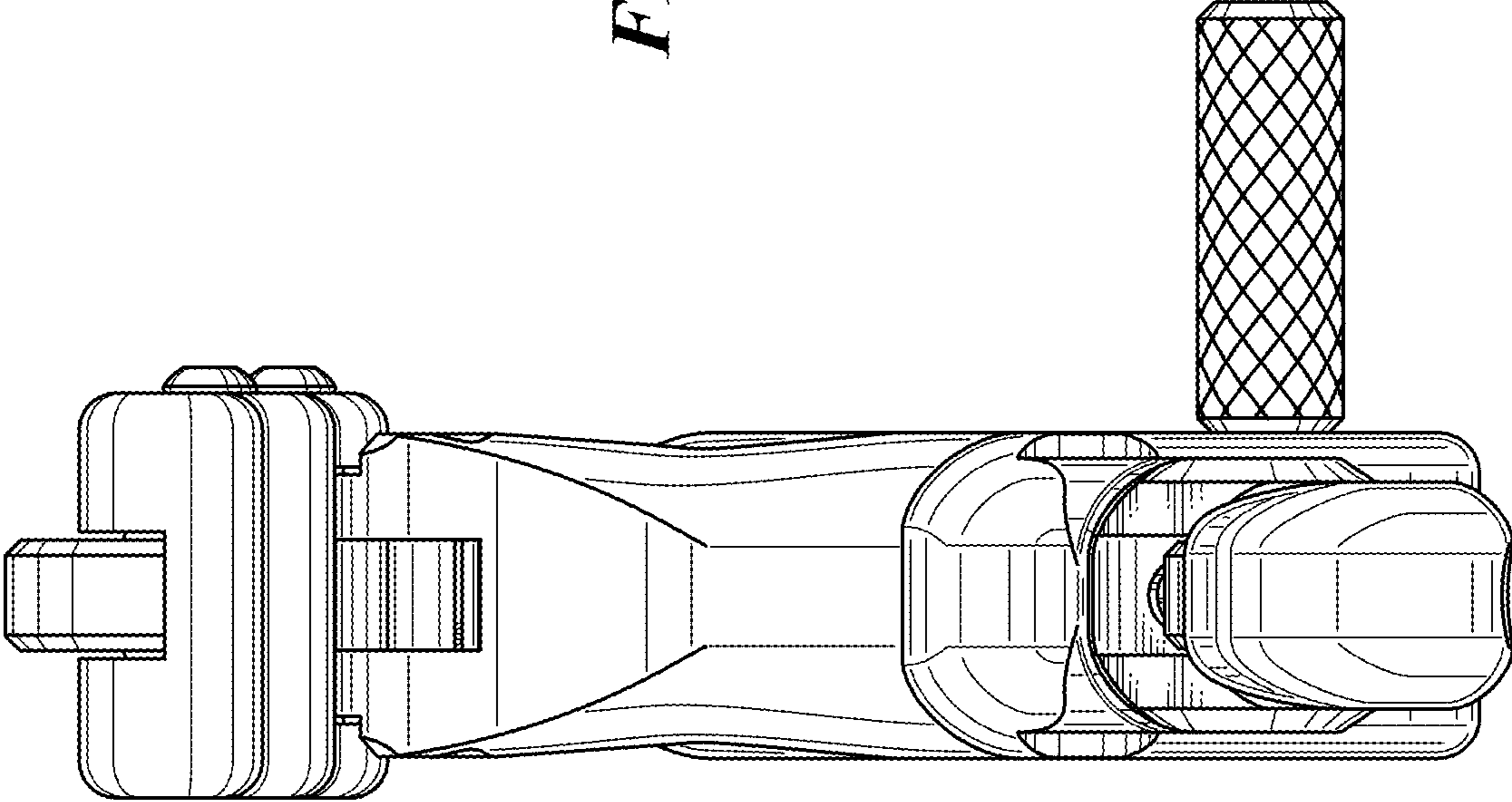


**FIG. 12**

*FIG. 13*



*FIG. 14*





*FIG. 15*

