



US00D903032S

(12) **United States Design Patent**
Swoboda

(10) **Patent No.:** **US D903,032 S**

(45) **Date of Patent:** **** Nov. 24, 2020**

(54) **FIREARM**

(71) Applicant: **German Sport Guns Gmbh, Ense**
(DE)

(72) Inventor: **Michael Swoboda, Mönhesee** (DE)

(73) Assignee: **German Sport Guns Gmbh, Ense**
(DE)

(**) Term: **15 Years**

(21) Appl. No.: **29/623,343**

(22) Filed: **Oct. 24, 2017**

(51) **LOC (12) Cl.** **22-01**

(52) **U.S. Cl.**
USPC **D22/103; D21/573**

(58) **Field of Classification Search**
USPC D21/300, 301, 304, 387, 567, 570, 571,
D21/573, 574, 575, 746; D22/100, 101,
D22/102, 103, 106, 107, 108, 109, 110,
D22/111, 112, 199

CPC F41A 3/26; F41A 3/12; F41A 5/02; F41A
17/22; F41B 5/143; F41B 5/14; F41B
5/066; F41B 7/08; F41B 5/1446; F41B
5/148; F41B 5/1465; F42B 6/04; F42B
6/08; F42B 6/02; F42B 6/06; F42B
12/362; F41C 23/16; F41C 27/00; F41C
7/00; F41G 11/003; F41G 11/001; F41G
11/004; F41G 11/005; A63H 5/04
See application file for complete search history.

(56) **References Cited**

U.S. PATENT DOCUMENTS

4,523,509 A * 6/1985 Thevis F41A 19/03
89/129.02
D524,871 S * 7/2006 Nunokawa D21/324
7,172,735 B1 2/2007 Lowe et al.
D653,300 S * 1/2012 Emde D22/103
8,176,827 B2 * 5/2012 Emde F41A 19/34
89/1.4

D671,183 S * 11/2012 Lucansky D22/103
D689,160 S * 9/2013 Emde D22/108
D693,811 S * 11/2013 Augustin, Jr. D14/418

(Continued)

OTHER PUBLICATIONS

“German Sport Guns GSG-15 and GSG-16: new semi-auto rifles in caliber .22 LR” [online]. all4shooters.com [Published on Jan. 22, 2017]. Retrieved from the Internet: <https://www.all4shooters.com/en/Shooting/rifles/Gernnan-Sport-Guns-GSG-15-semiautomatic-rifle-in-22LR/>.*

(Continued)

Primary Examiner — Khawaja Anwar

Assistant Examiner — Mojtaba Tehrani

(74) *Attorney, Agent, or Firm* — Frank Rosenberg

(57) **CLAIM**

I claim, the ornamental design for a firearm, as shown and described.

DESCRIPTION

FIG. 1 is a left side view of a firearm showing my new design;

FIG. 2 is a top perspective view thereof;

FIG. 3 is a partial side view taken from FIG. 1;

FIG. 4 is a partial side view taken from FIG. 1, with magazine shown in FIG. 6;

FIG. 5 is a partial side view taken from FIG. 1;

FIG. 6 is a partial side view taken from FIG. 1, showing the magazine portion;

FIG. 7 is a top view thereof;

FIG. 8 is a rear view thereof;

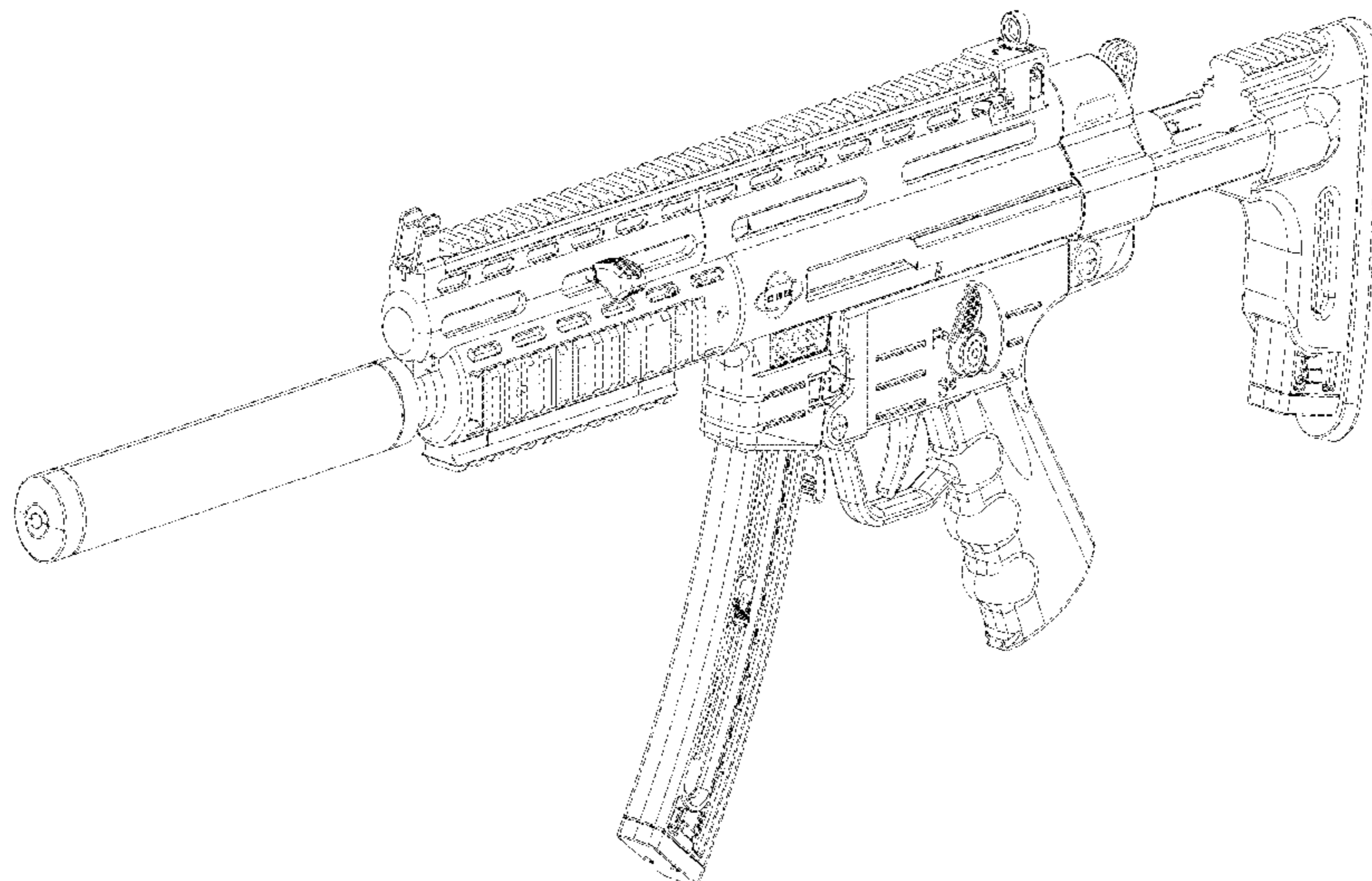
FIG. 9 is a right side view thereof;

FIG. 10 is a bottom view thereof; and,

FIG. 11 is a front view thereof.

The evenly broken lines in the drawings depict unclaimed portions of the firearm; the dash-dot-dot line discloses the boundary of the views only. The broken lines form no part of the claimed design.

1 Claim, 11 Drawing Sheets



(56)

References Cited

U.S. PATENT DOCUMENTS

D694,352 S *	11/2013	Emde	D22/103
D721,779 S *	1/2015	Emde	D22/103
D724,169 S *	3/2015	Emde	D22/103
D733,223 S *	6/2015	Chu	D21/573
D745,611 S *	12/2015	Chu	D21/573
D747,422 S *	1/2016	Chu	D21/573
2008/0187888 A1 *	8/2008	Jones	F41A 33/02 434/21

OTHER PUBLICATIONS

“Zenith Firearms Z-5RS (MP5 Pistol) Review” [online]. modernrifleman.net [Published on Dec. 22, 2017]. Retrieved from the Internet: <<https://modernrifleman.net/2017/12/22/zenith-firearms-z-5rs-mp5-pistol-review/>>.*

* cited by examiner

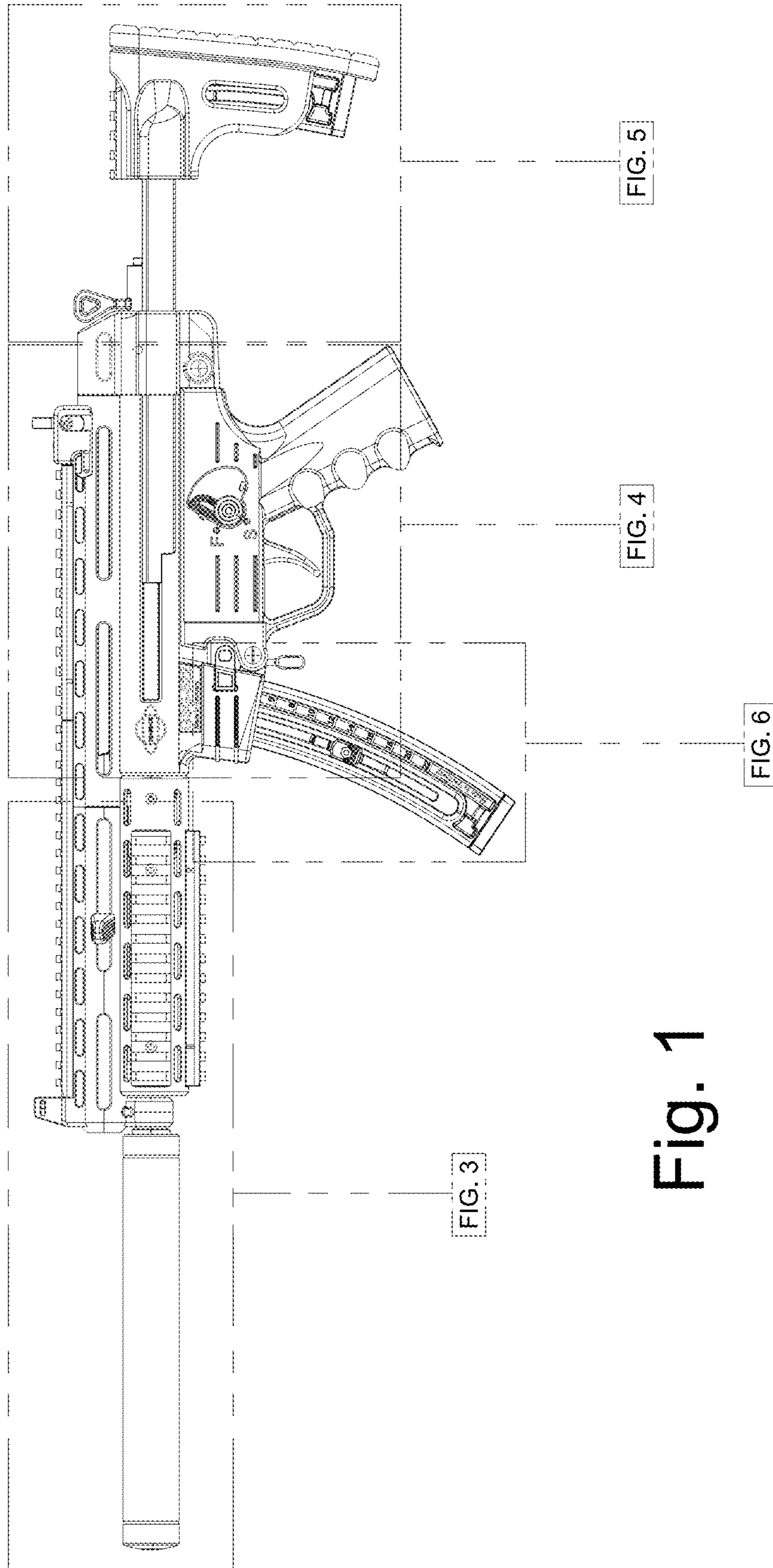


Fig. 1

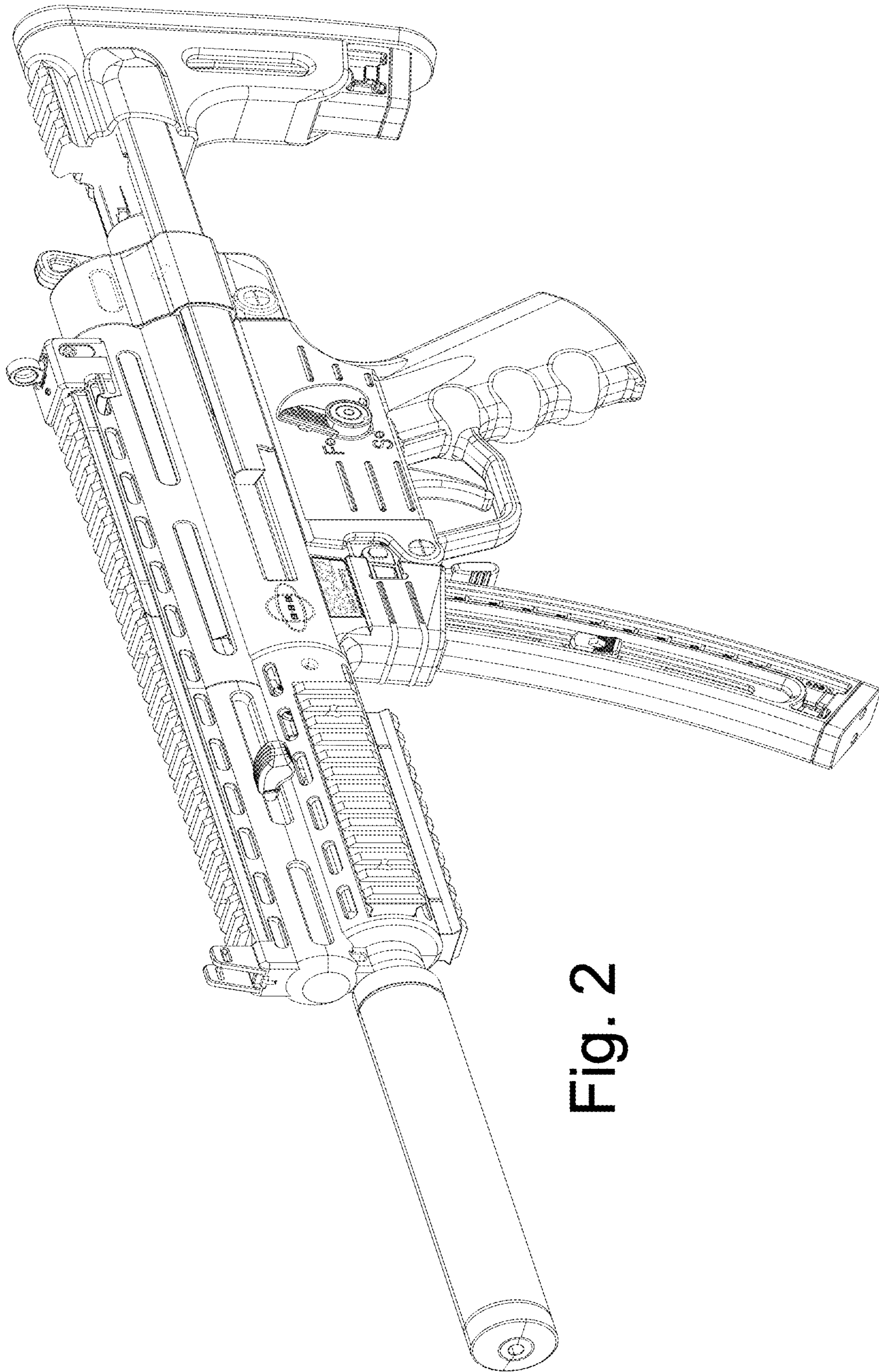


Fig. 2

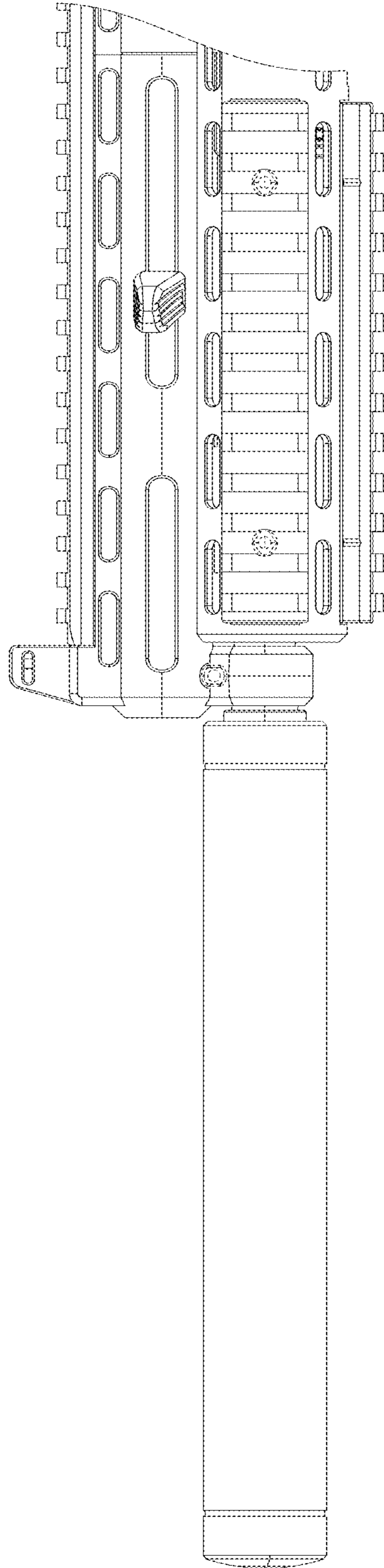


Fig. 3

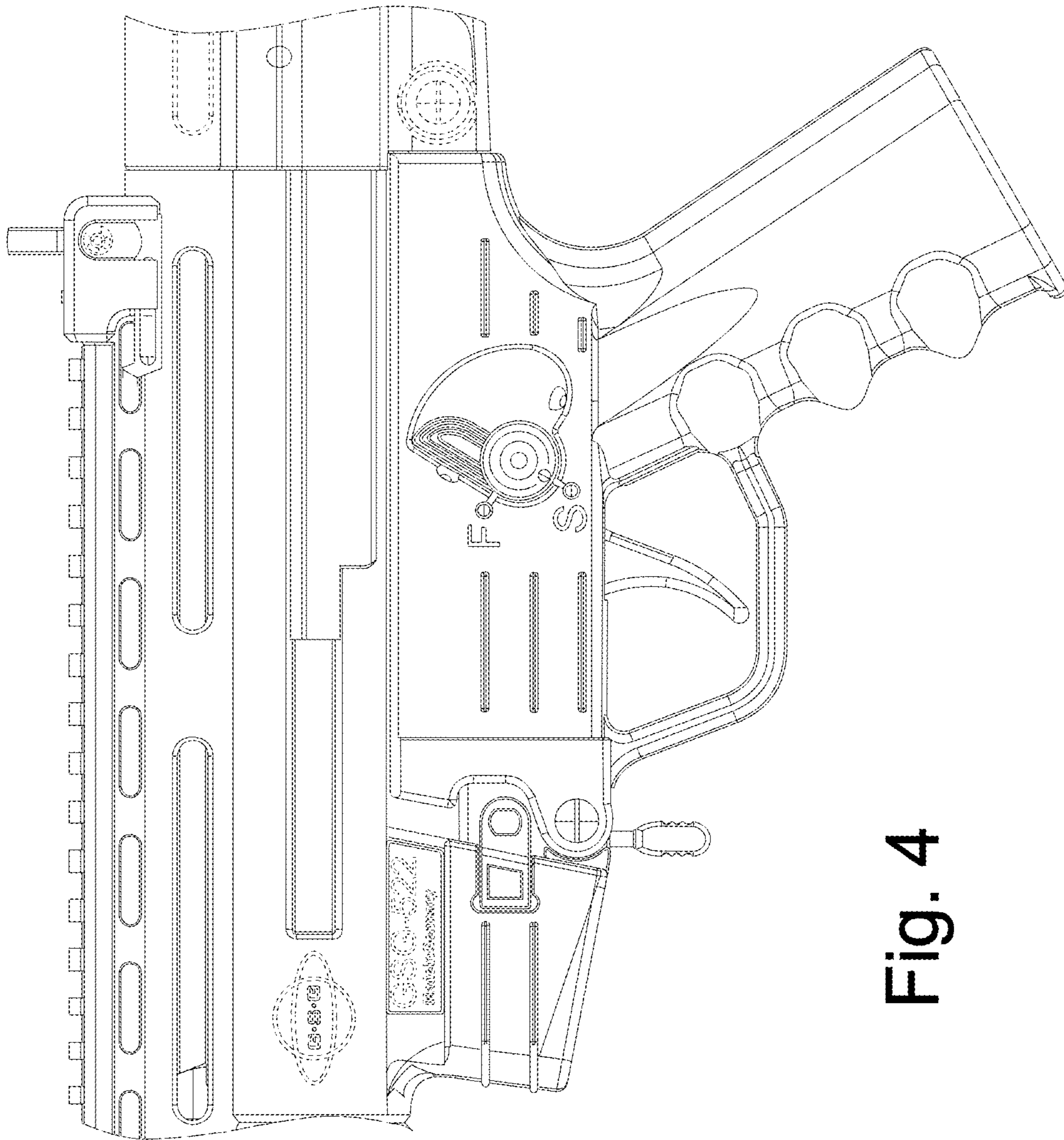


Fig. 4

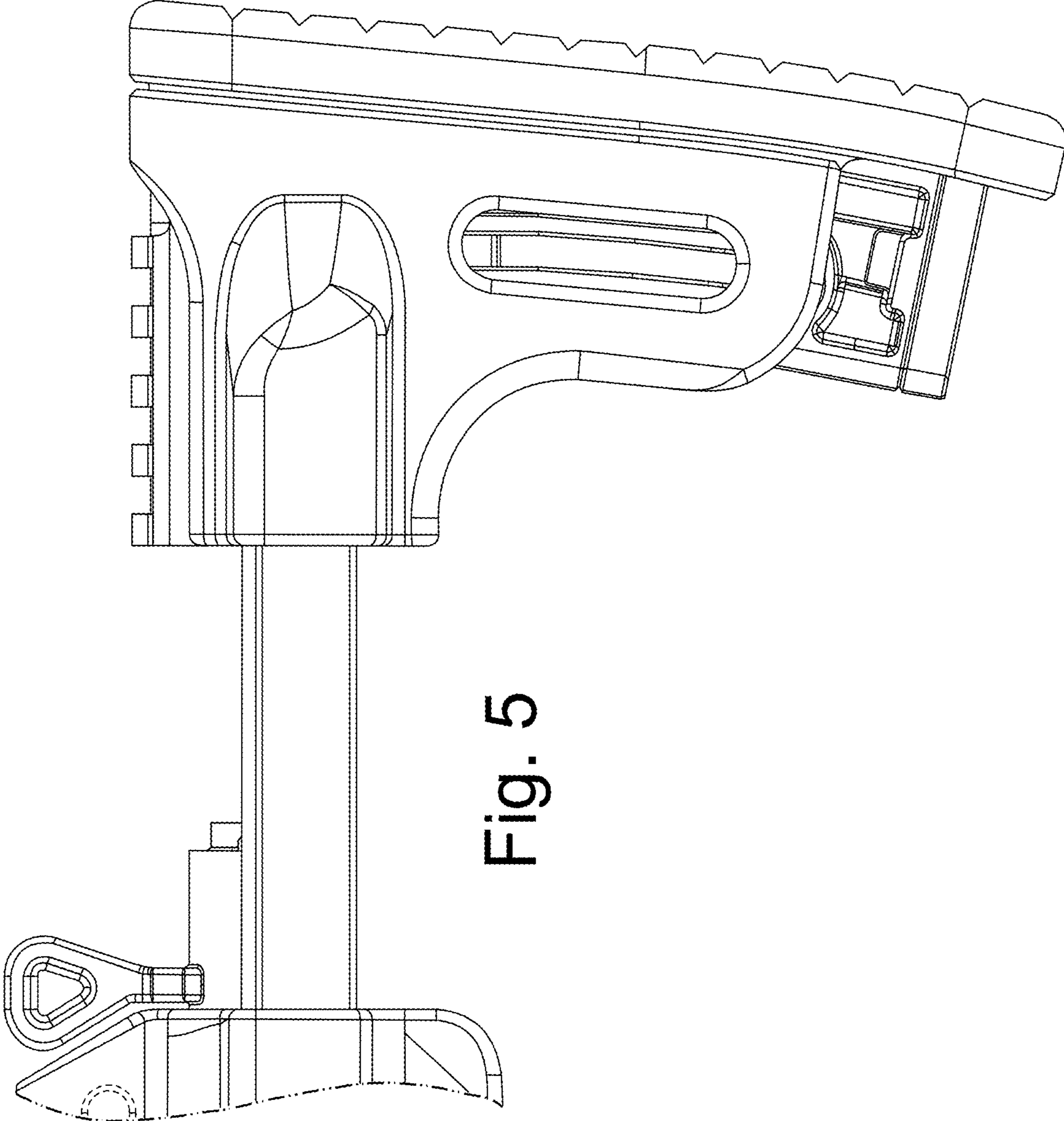


Fig. 5

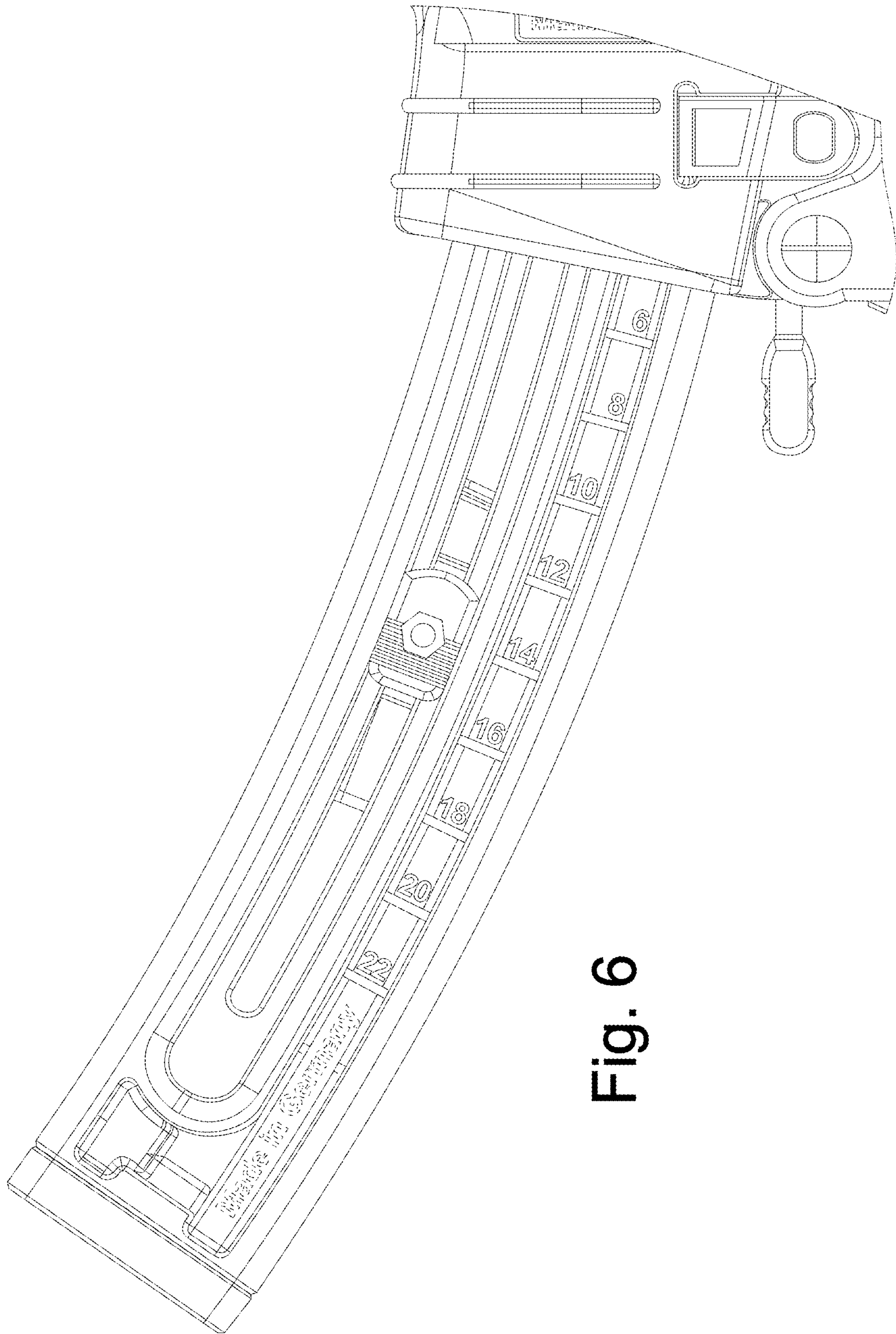


Fig. 6

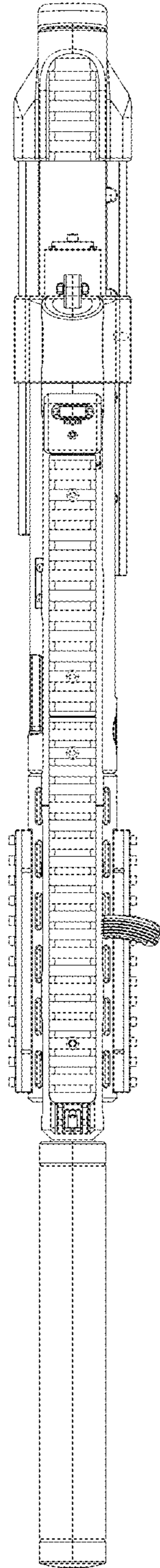


Fig. 7

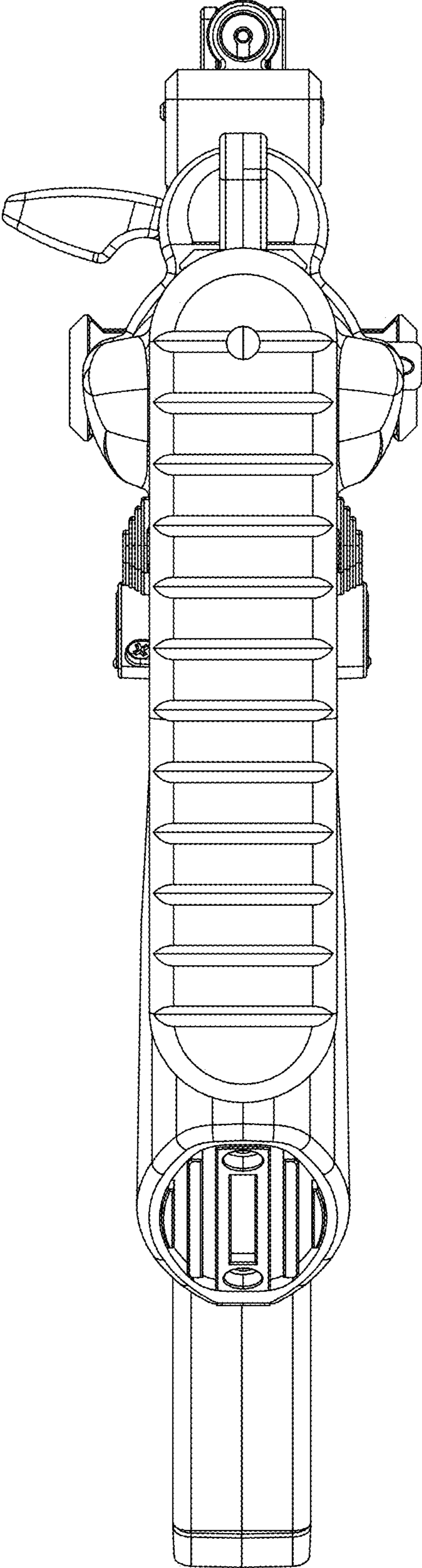


Fig. 8

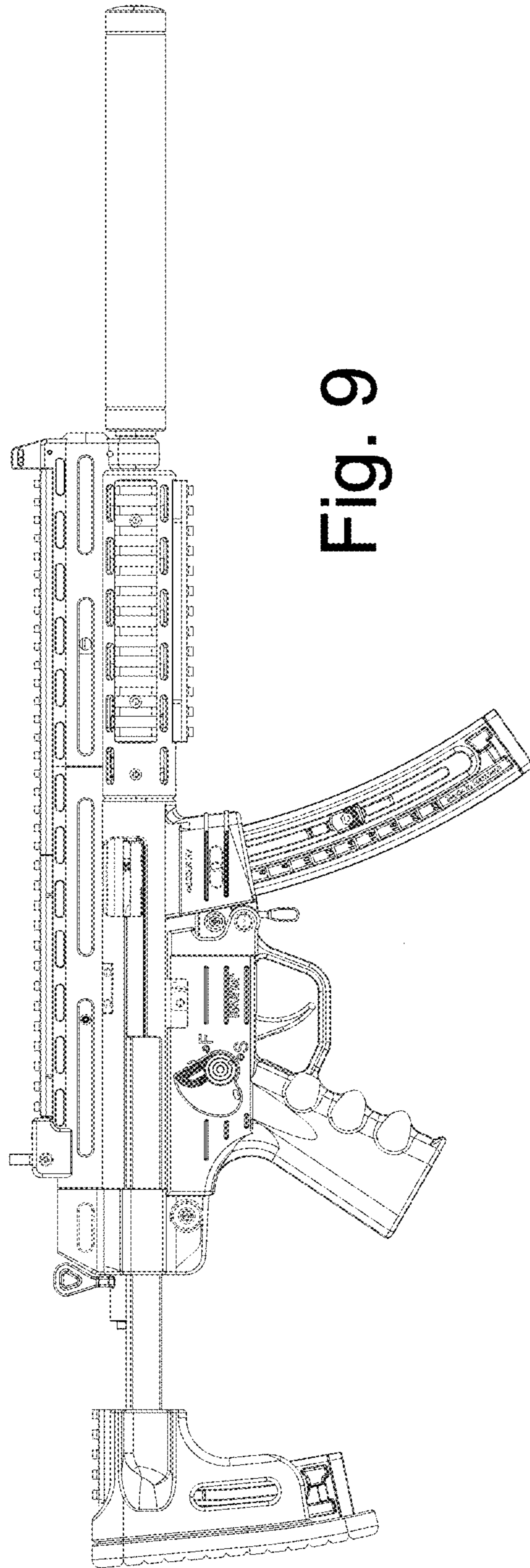


Fig. 9

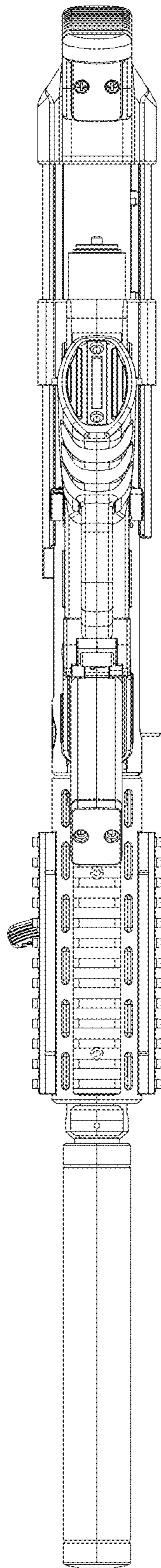


Fig. 10

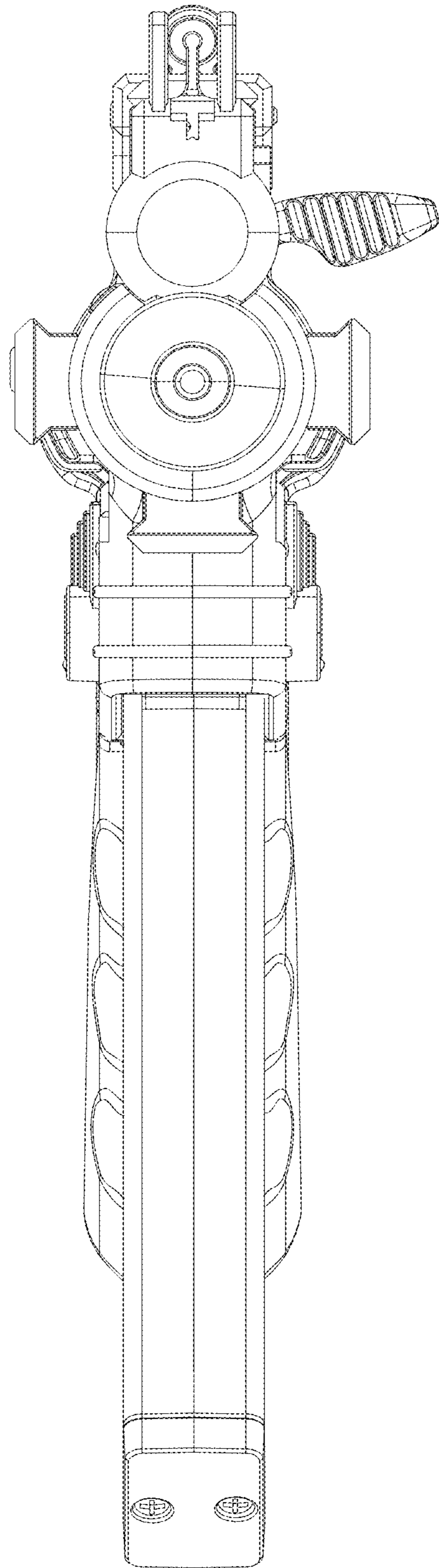


Fig. 11