



US00D903028S

(12) **United States Design Patent** (10) **Patent No.:** **US D903,028 S**  
**Katemann et al.** (45) **Date of Patent:** **\*\* Nov. 24, 2020**

(54) **WATER SPORTS EQUIPMENT  
RECREATIONAL DEVICE**

B63B 27/24; B63B 27/30; B63B 27/34;  
B63B 34/20; B63B 34/26; B63B 35/00;  
B63B 35/285; B63B 35/36; B63B 39/00;  
B63B 39/06; B63B 39/08; B63B 59/00;  
B63B 7/04; B63G 9/02

(71) Applicant: **Wibit Sports GmbH**, Bocholt (DE)

See application file for complete search history.

(72) Inventors: **Mareen Katemann**, Borken (DE);  
**Robert Cirjak**, Bocholt (DE); **Romann  
Rademacher**, Bocholt (DE)

(56) **References Cited**

(\*\*) Term: **15 Years**

U.S. PATENT DOCUMENTS

(21) Appl. No.: **35/507,582**

D451,567 S \* 12/2001 Gordon ..... D21/801  
D451,568 S \* 12/2001 Gordon ..... D21/801  
D741,975 S \* 10/2015 Rademacher ..... D21/801  
D818,072 S \* 5/2018 Rademacher ..... D21/803  
D861,820 S \* 10/2019 Rademacher ..... D21/835

(22) Filed: **May 8, 2019**

\* cited by examiner

(80) **Hague Agreement Data**

Int. Filing Date: **May 8, 2019**  
Int. Reg. No.: **DM/203584**  
Int. Reg. Date: **May 8, 2019**  
Int. Reg. Pub. Date: **Nov. 1, 2019**

*Primary Examiner* — Khawaja Anwar

(30) **Foreign Application Priority Data**

Nov. 8, 2018 (EM) ..... 005820107-0026

(57) **CLAIM**

The ornamental design for a water sports equipment recreational device, as shown and described.

(51) **LOC (12) Cl.** ..... **21-02**

**DESCRIPTION**

(52) **U.S. Cl.**  
USPC ..... **D21/801**

(58) **Field of Classification Search**

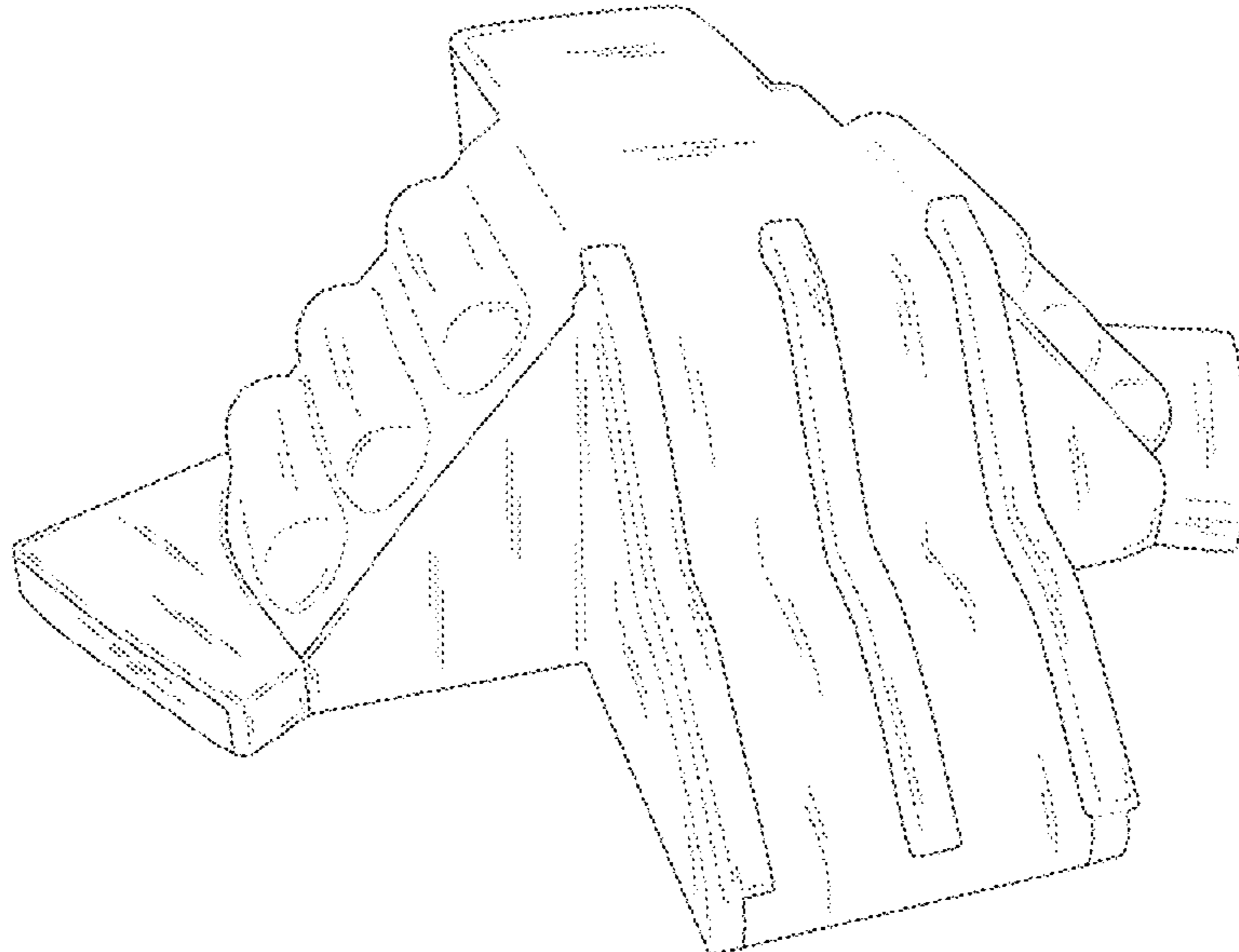
USPC ..... D21/646, 769, 770, 771, 778, 792, 801,  
D21/803, 804, 805, 806, 807, 808, 810,  
D21/814, 818, 819

1. Water sports equipment (recreational device)  
**1.1** : Perspective  
**1.2** : Bottom  
**1.3** : Back  
**1.4** : Left  
**1.5** : Front  
**1.6** : Right  
**1.7** : Top

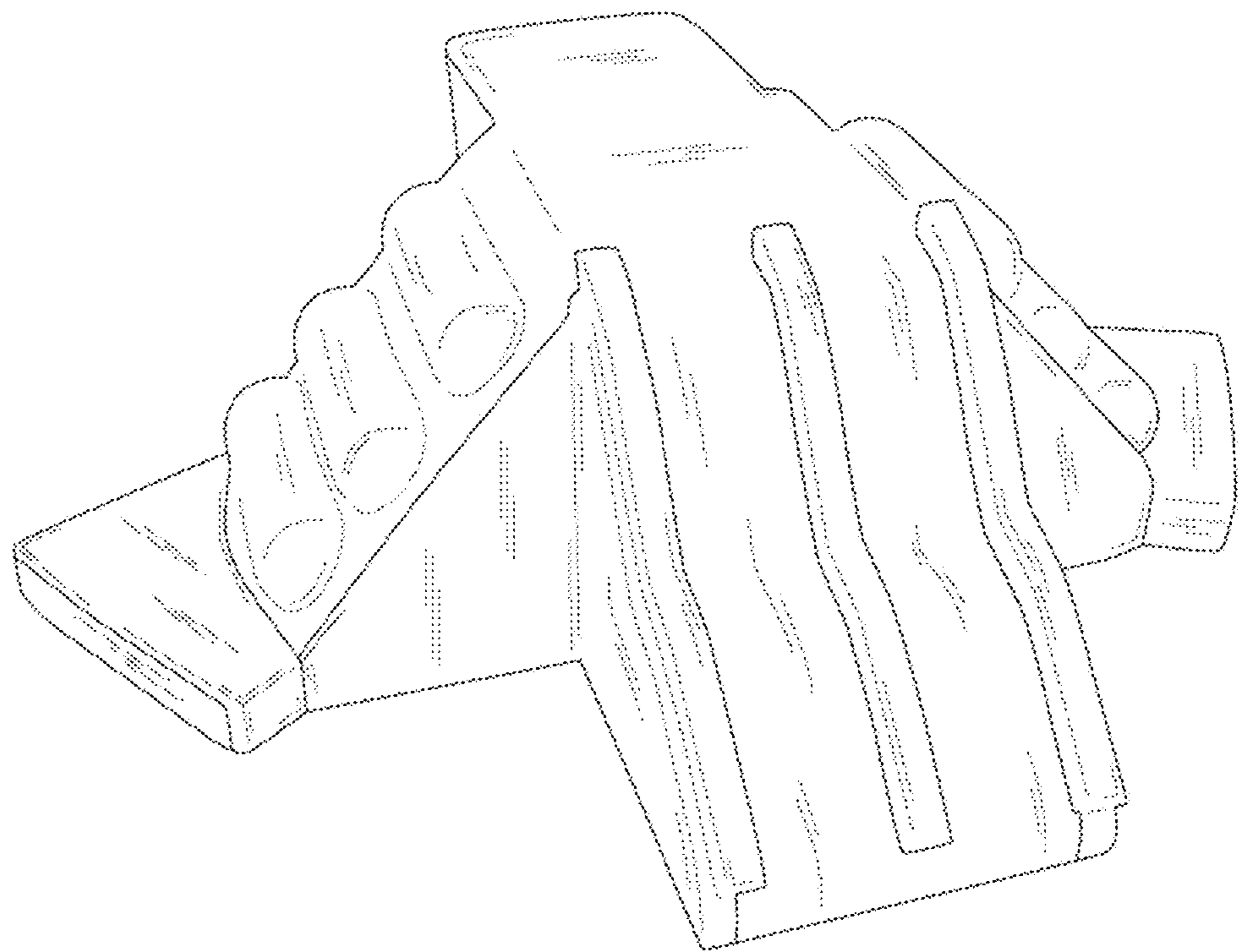
CPC ..... B63B 22/16; B63B 35/44; B63B 39/02;  
B63B 13/00; B63B 1/107; B63B 1/121;  
B63B 2017/0072; B63B 2021/505; B63B  
2022/006; B63B 2035/442; B63B  
2035/4426; B63B 2035/446; B63B  
2035/4466; B63B 2035/4473; B63B  
21/50; B63B 21/66; B63B 2203/00; B63B  
2207/02; B63B 2211/02; B63B 22/02;  
B63B 22/04; B63B 22/06; B63B 25/12;

The design shows a new, original and ornamental design for a water sports equipment (recreational device) as shown in the drawings; broken lines in the figures show portions of the water sports equipment (recreational device) that form no part of the claimed design.

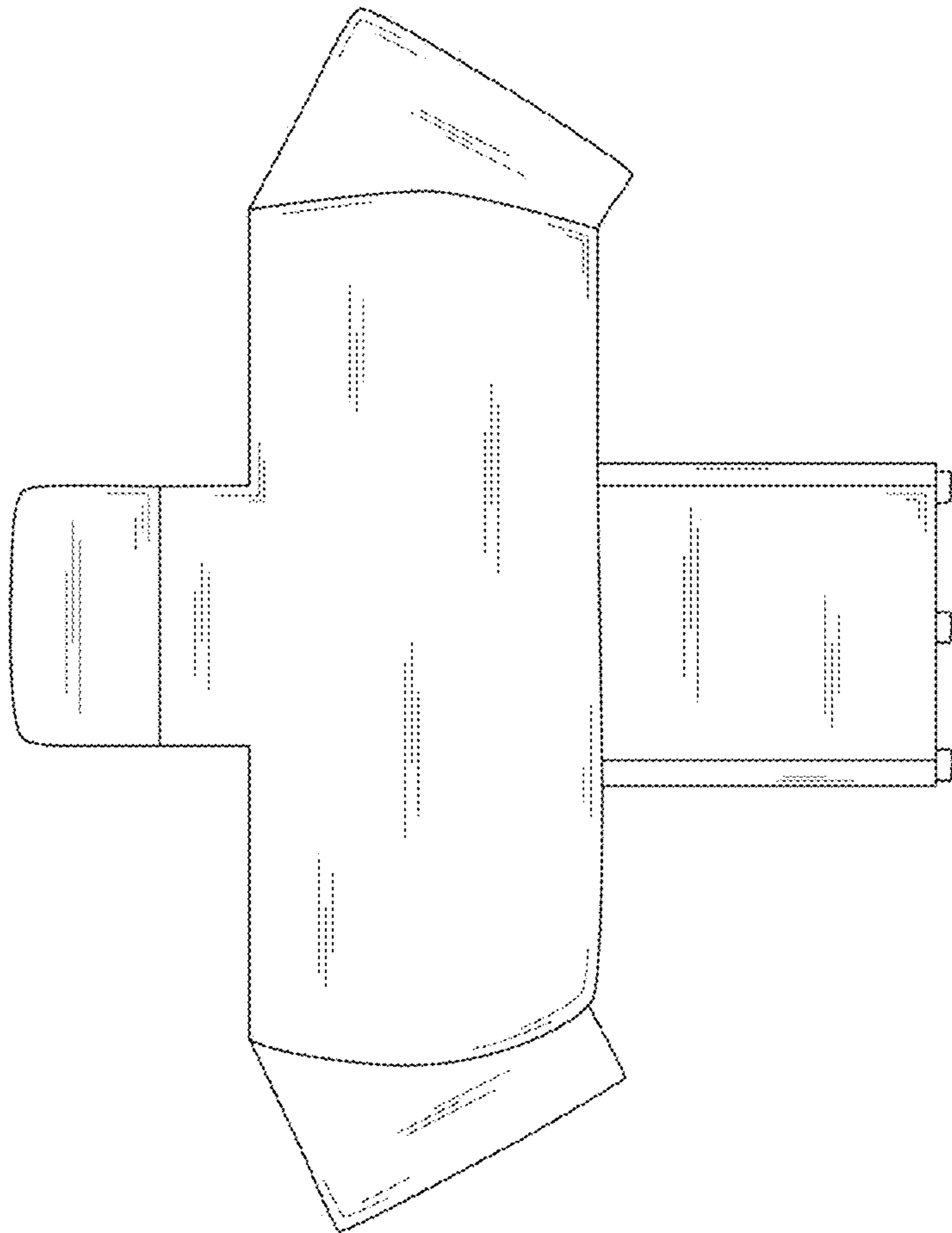
**1 Claim, 7 Drawing Sheets**



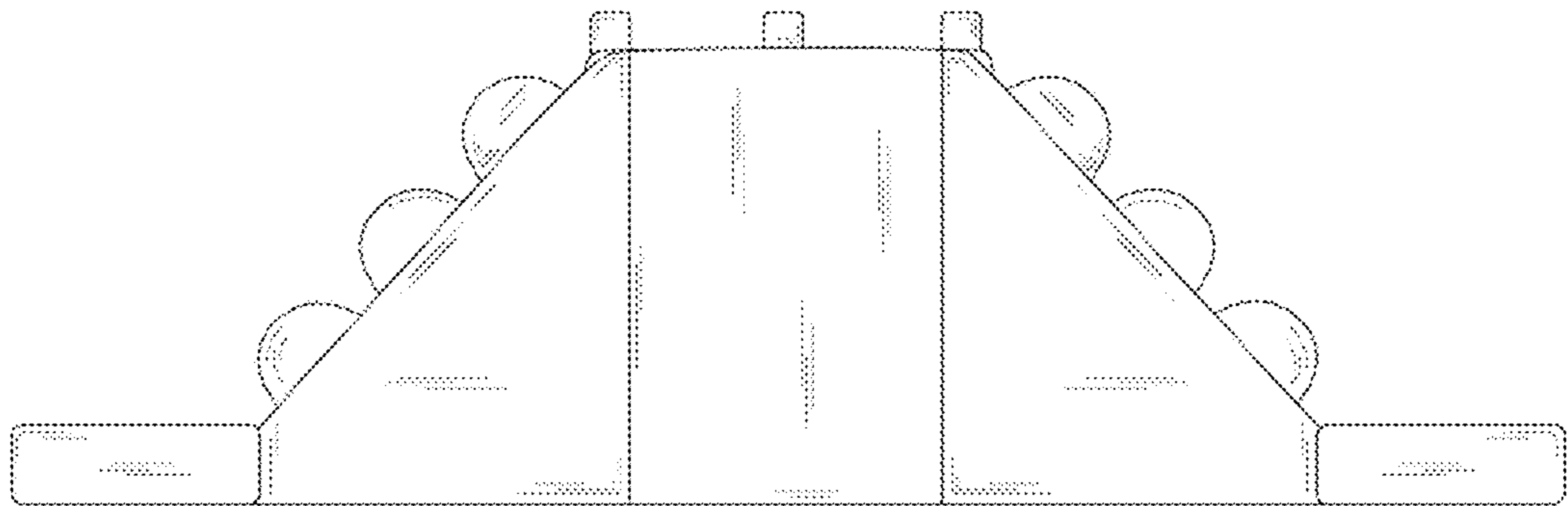
1.1



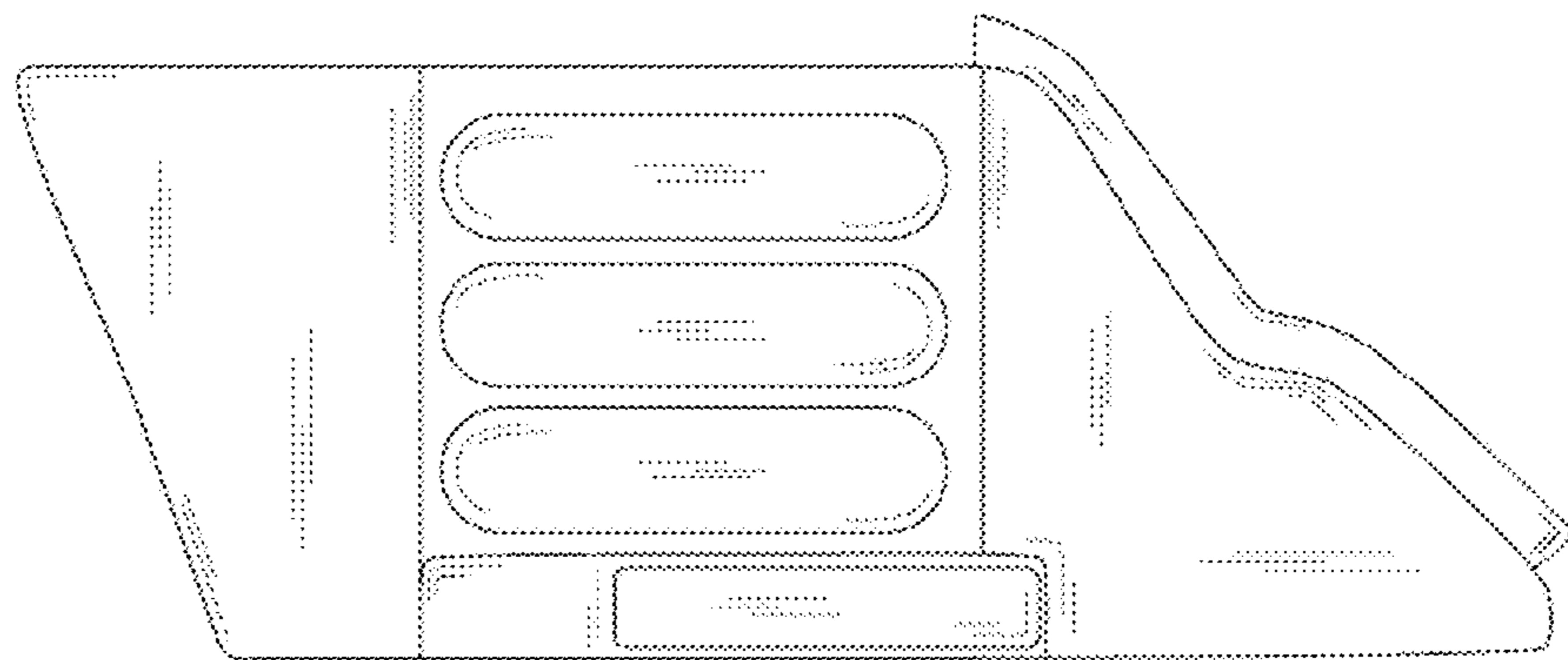
1.2



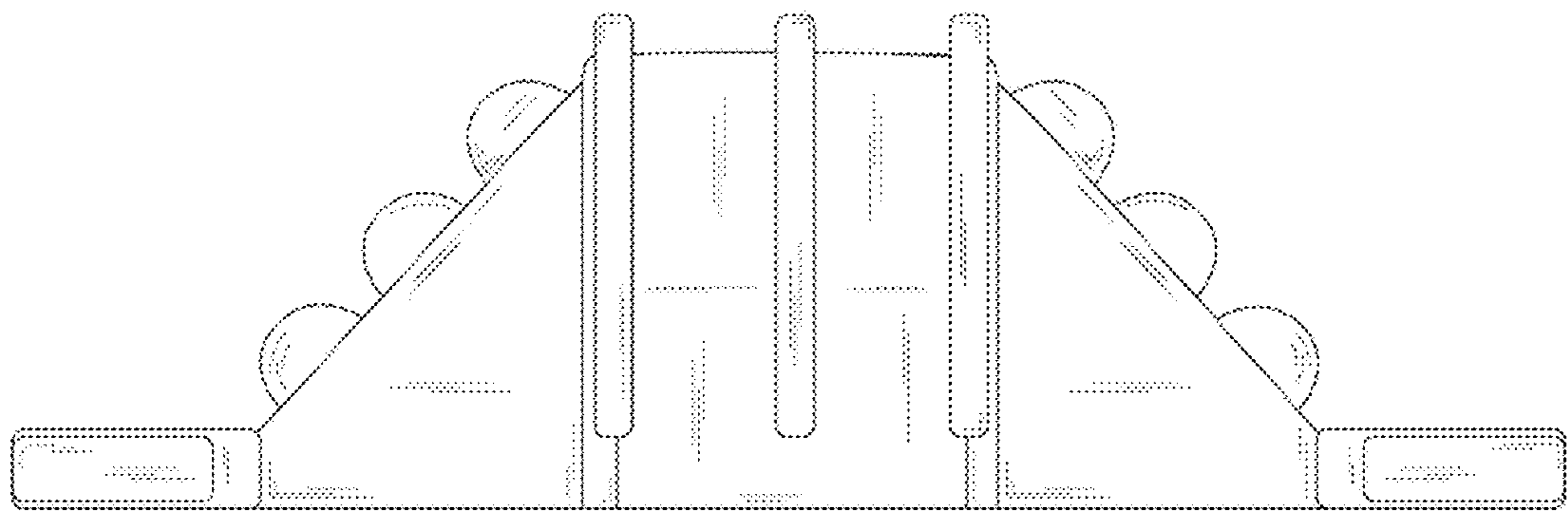
1.3



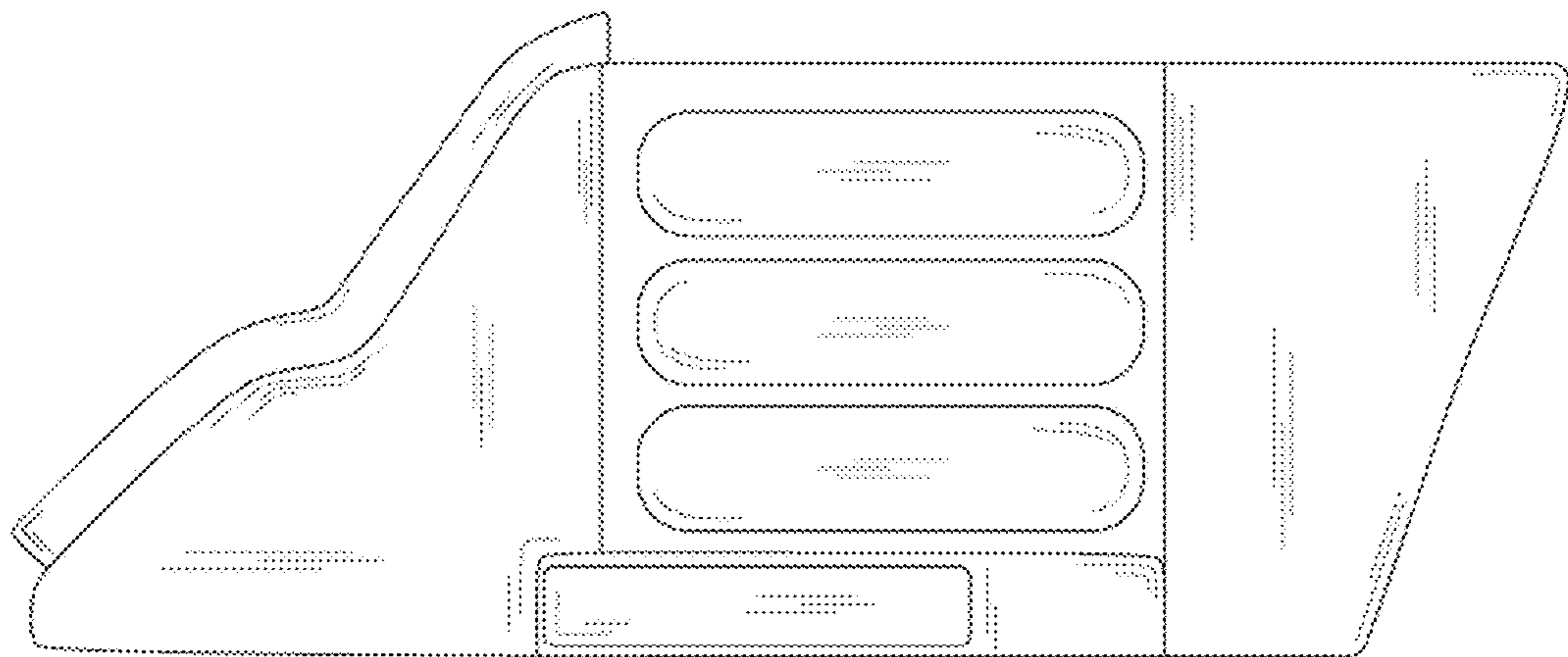
1.4



1.5



1.6



1.7

