



US00D903027S

(12) **United States Design Patent** (10) **Patent No.:** **US D903,027 S**
Cirjak et al. (45) **Date of Patent:** **** Nov. 24, 2020**

(54) **WATER SPORTS EQUIPMENT
RECREATIONAL DEVICE**

(71) Applicant: **Wibit Sports GmbH**, Bocholt (DE)

(72) Inventors: **Robert Cirjak**, Bocholt (DE); **Mareen Katemann**, Borken (DE); **Romann Rademacher**, Bocholt (DE)

(**) Term: **15 Years**

(21) Appl. No.: **35/507,580**

(22) Filed: **May 8, 2019**

(80) **Hague Agreement Data**

Int. Filing Date: **May 8, 2019**

Int. Reg. No.: **DM/203585**

Int. Reg. Date: **May 8, 2019**

Int. Reg. Pub. Date: **Nov. 1, 2019**

(30) **Foreign Application Priority Data**

Nov. 8, 2018 (EM) 005820107-0023

(51) **LOC (12) Cl.** **21-02**

(52) **U.S. Cl.**
USPC **D21/801**

(58) **Field of Classification Search**

USPC D21/646, 769, 770, 771, 778, 792, 801,
D21/803, 804, 805, 806, 807, 808, 810,
D21/814, 818, 819

CPC B63B 22/16; B63B 35/44; B63B 39/02;
B63B 13/00; B63B 1/107; B63B 1/121;
B63B 2017/0072; B63B 2021/505; B63B
2022/006; B63B 2035/442; B63B
2035/4426; B63B 2035/446; B63B
2035/4466; B63B 2035/4473; B63B
21/50; B63B 21/66; B63B 2203/00; B63B
2207/02; B63B 2211/02; B63B 22/02;

B63B 22/04; B63B 22/06; B63B 25/12;
B63B 27/24; B63B 27/30; B63B 27/34;
B63B 34/20; B63B 34/26; B63B 35/00;
B63B 35/285; B63B 35/36; B63B 39/00;
B63B 39/06; B63B 39/08; B63B 59/00;
B63B 7/04; B63G 9/02

See application file for complete search history.

(56) **References Cited**

U.S. PATENT DOCUMENTS

D707,776 S * 6/2014 Rubey D21/801
D722,354 S * 2/2015 Rademacher D21/803
D781,976 S * 3/2017 Rubey D21/801
D820,374 S * 6/2018 Rademacher D21/803

* cited by examiner

Primary Examiner — Khawaja Anwar

(57) **CLAIM**

The ornamental design for a water sports equipment recreational device, as shown and described.

DESCRIPTION

1. Water sports equipment (recreational device)

1.1 : Perspective

1.2 : Back

1.3 : Front

1.4 : Left

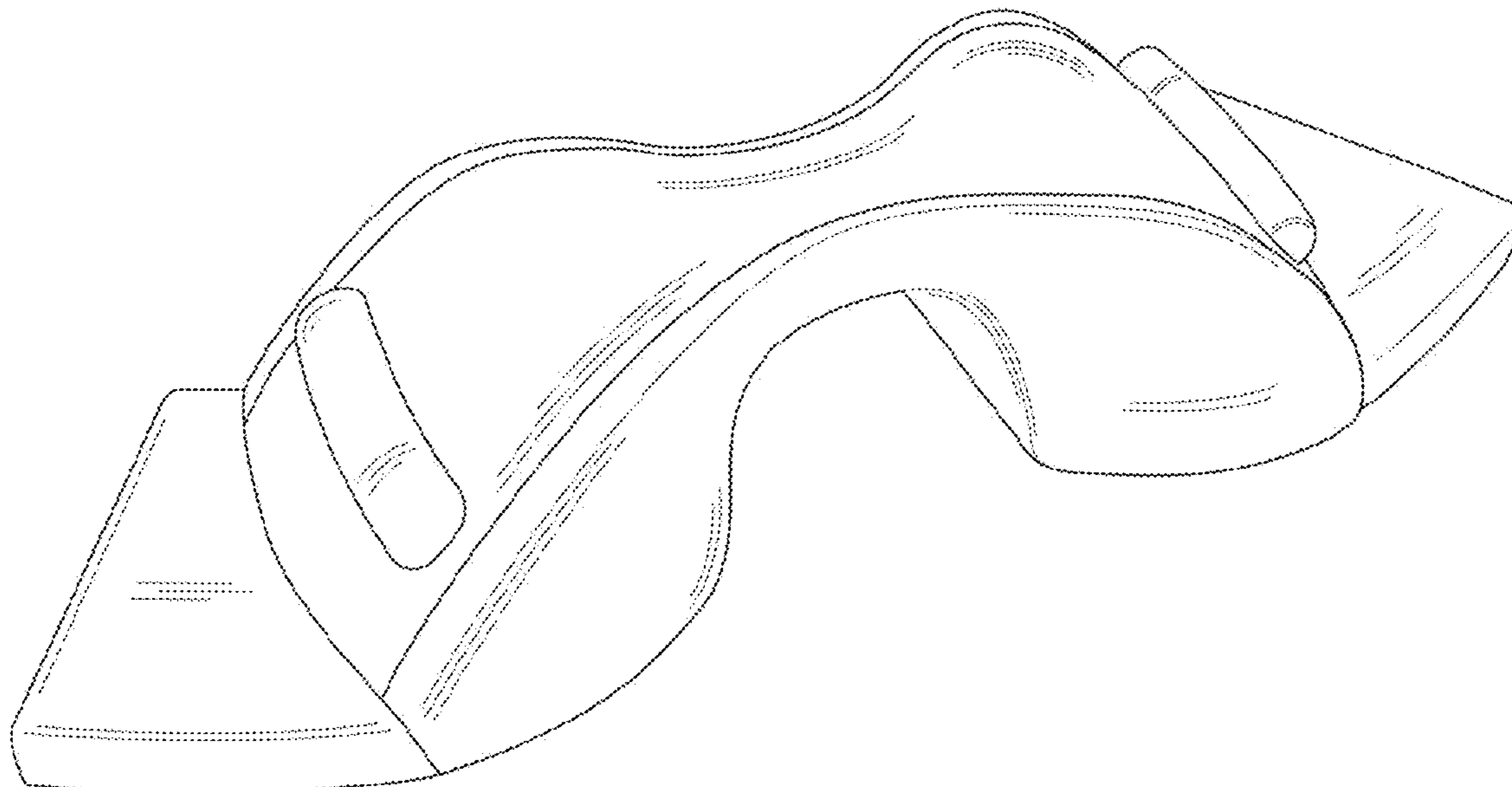
1.5 : Right

1.6 : Bottom

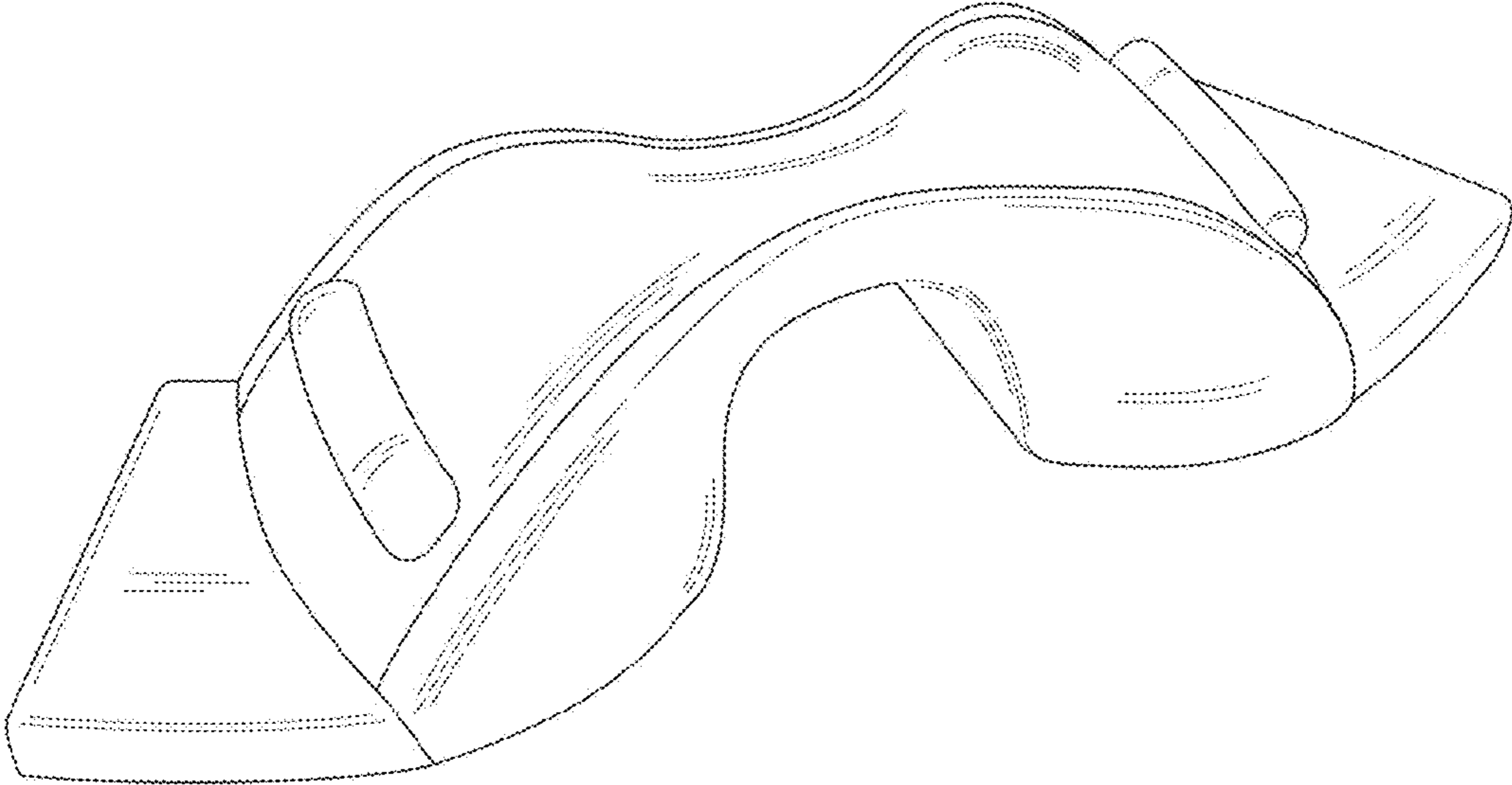
1.7 : Top

The design shows a new, original and ornamental design for a water-sports equipment (recreational device) as shown in the drawings; broken lines in the figures show portions of the water sports equipment (recreational device) that form no part of the claimed design.

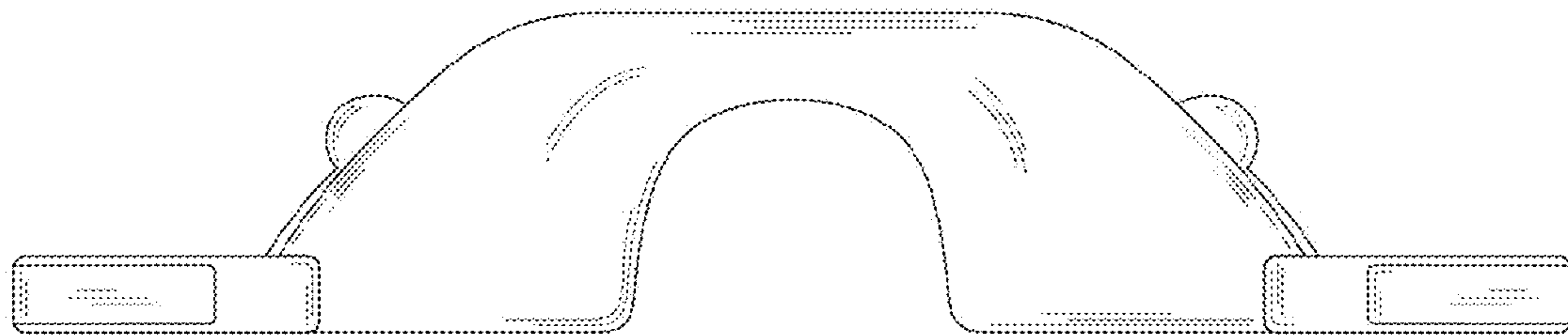
1 Claim, 7 Drawing Sheets



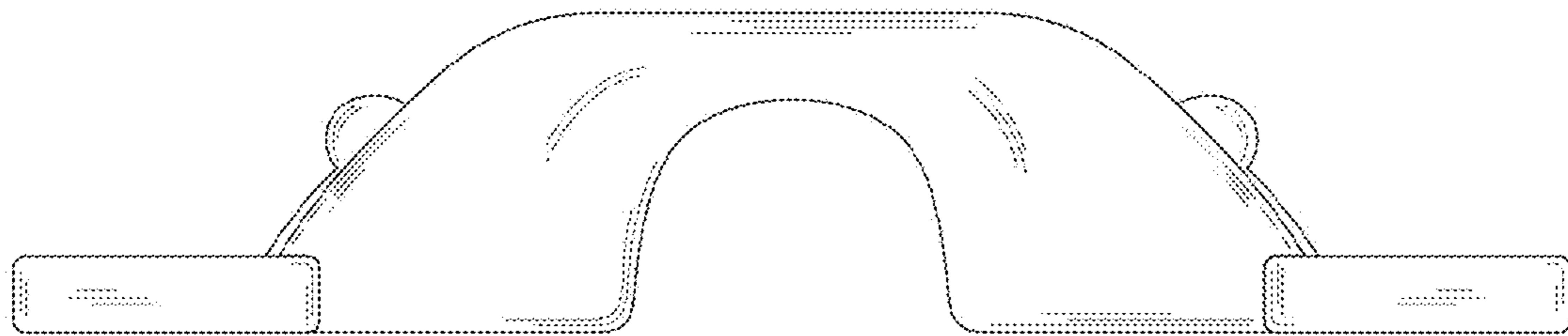
1.1



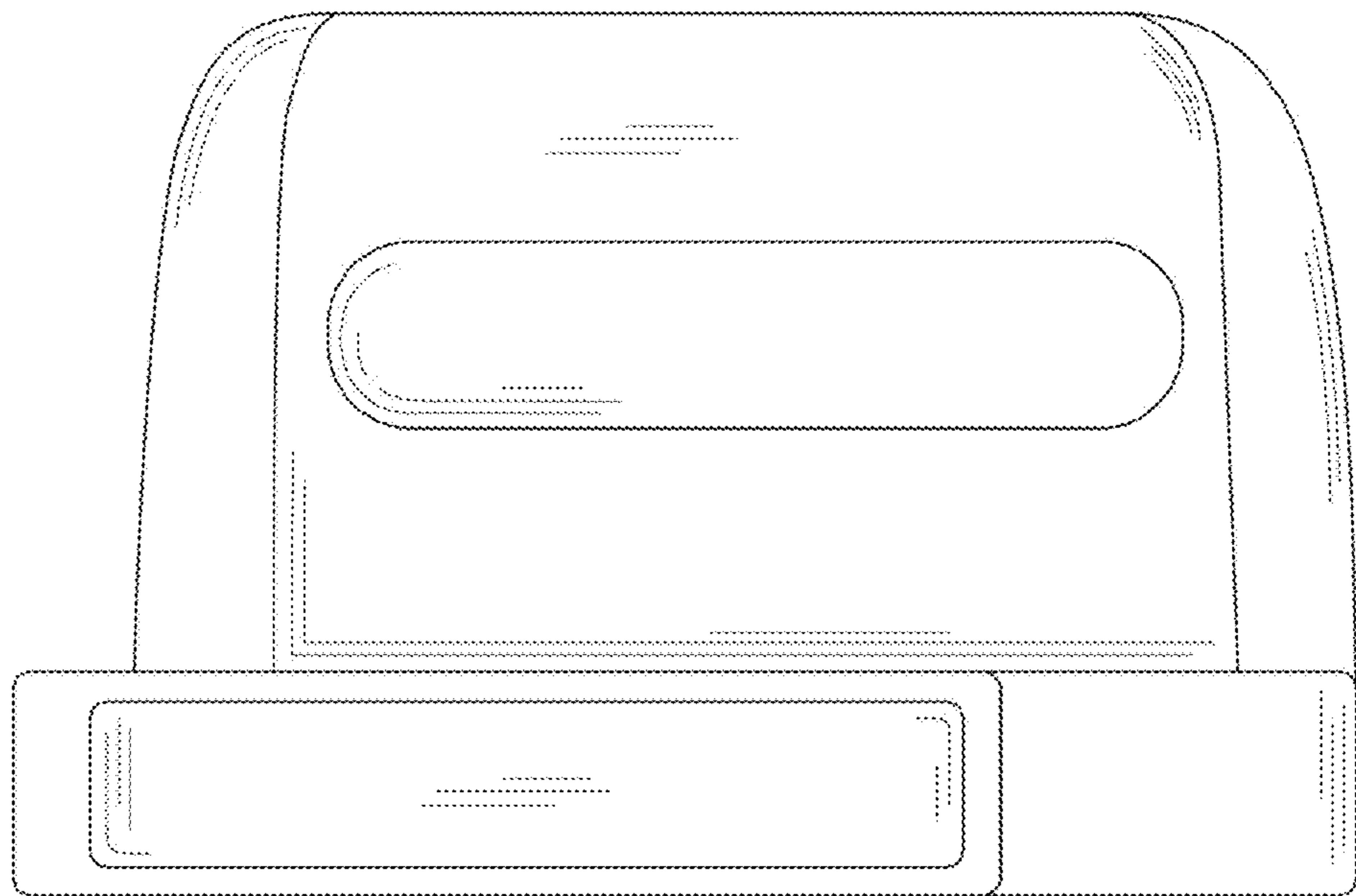
1.2



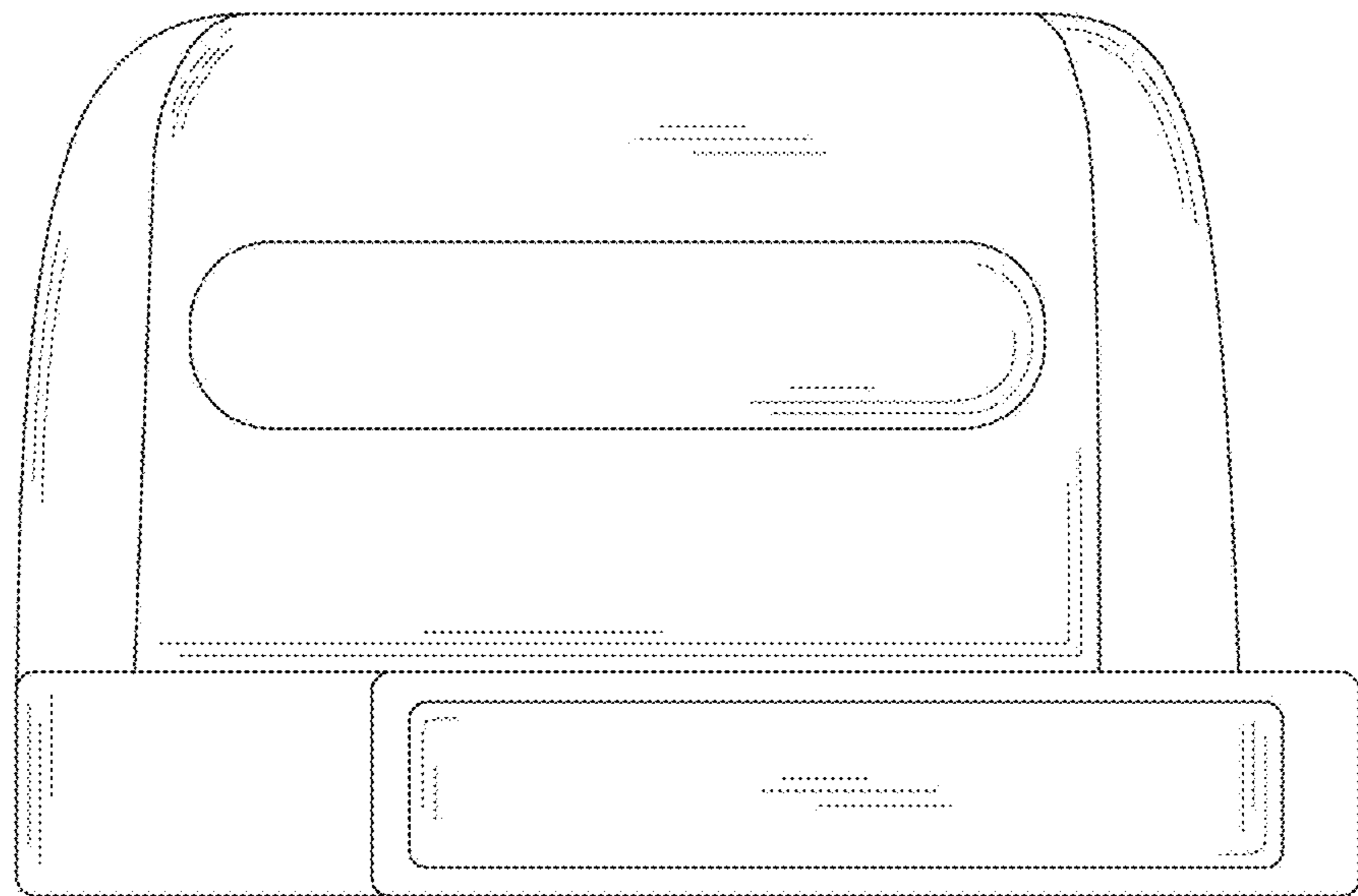
1.3



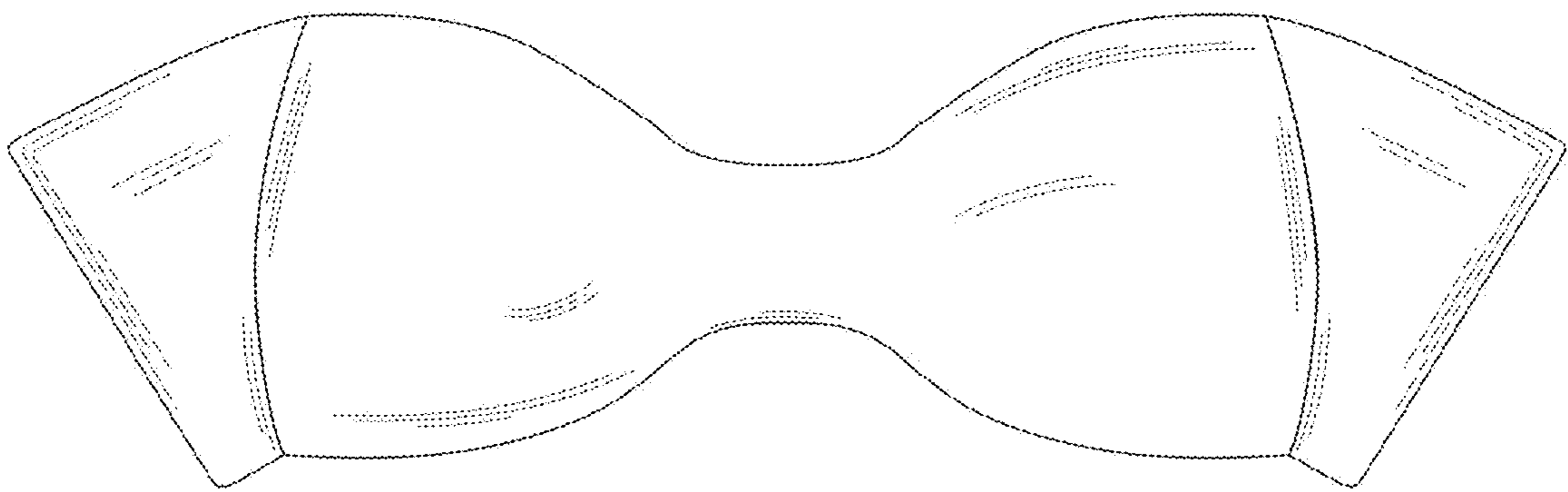
1.4



1.5



1.6



1.7

