



US00D903025S

(12) **United States Design Patent**
Davis

(10) **Patent No.:** **US D903,025 S**

(45) **Date of Patent:** **** Nov. 24, 2020**

- (54) **GOLF HOLE CUP**
- (71) Applicant: **James A. Davis**, San Diego, CA (US)
- (72) Inventor: **James A. Davis**, San Diego, CA (US)
- (**) Term: **15 Years**
- (21) Appl. No.: **29/738,364**
- (22) Filed: **Jun. 17, 2020**
- (51) **LOC (12) Cl.** **21-02**
- (52) **U.S. Cl.**
USPC **D21/789**
- (58) **Field of Classification Search**
USPC D21/789, 791; D11/182
CPC A63B 57/357; A63B 57/40
See application file for complete search history.

- 6,478,687 B1 * 11/2002 Colonello A63B 57/357
473/175
- 6,722,997 B2 * 4/2004 Gilmour A63B 57/357
473/176
- 6,767,289 B2 * 7/2004 Porter A63B 57/357
473/175
- D504,482 S * 4/2005 Webb D21/789
- 7,431,658 B2 * 10/2008 Priegel A63B 57/357
473/175
- 7,455,594 B1 * 11/2008 Priegel A63B 57/357
473/176
- D642,958 S * 8/2011 Long D11/182
- 8,147,346 B2 * 4/2012 Long A63B 57/357
473/176
- D828,890 S 9/2018 Niswonger
- 10,471,316 B1 11/2019 Bartlett et al.
- 2002/0094878 A1 * 7/2002 Porter A63B 57/357
473/175
- 2003/0096659 A1 * 5/2003 Webb A63B 57/40
473/174

(Continued)

(56) **References Cited**

U.S. PATENT DOCUMENTS

- 979,313 A 12/1910 King et al.
- 1,813,696 A * 7/1931 Crocker A63B 57/40
473/176
- 1,943,610 A * 1/1934 John A63B 57/40
473/176
- 3,511,501 A * 5/1970 Sandberg A63B 57/40
473/179
- 4,114,879 A * 9/1978 Oiler A63B 57/357
473/177
- 5,180,162 A * 1/1993 Browne A63B 57/357
473/176
- 5,351,950 A * 10/1994 Frankum A63B 57/357
473/176
- 5,427,371 A * 6/1995 Huston A63B 57/357
473/180
- 5,451,045 A * 9/1995 Garske A63B 57/357
473/176
- 5,964,667 A * 10/1999 Brookman A63B 57/357
473/176

Primary Examiner — Mitchell I. Siegel

(74) *Attorney, Agent, or Firm* — Arc IP Law, PC; Joseph J. Mayo

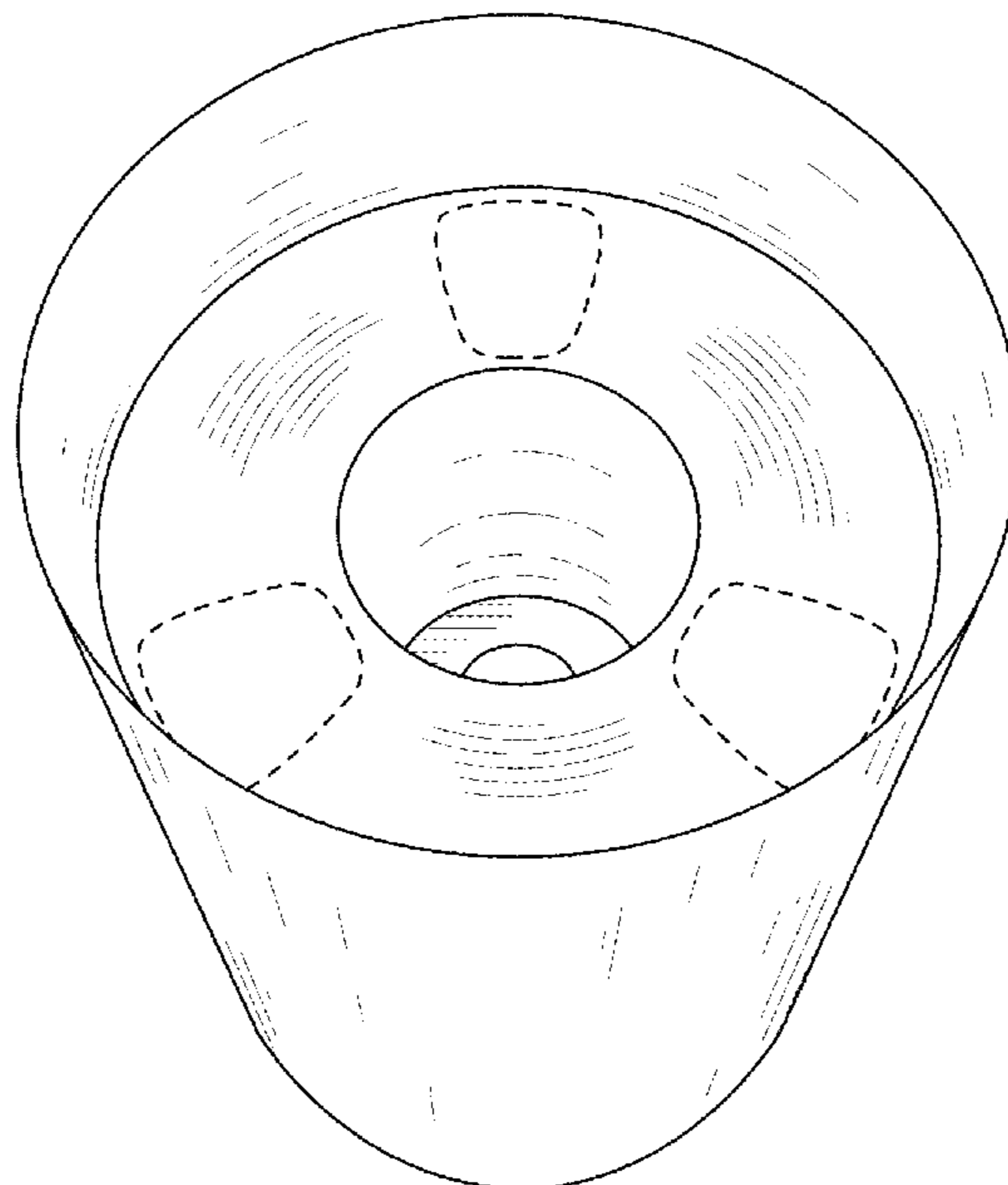
(57) **CLAIM**

The ornamental design for a golf hole cup, as shown and described.

DESCRIPTION

FIG. 1 is a perspective view of a golf hole cup.
 FIG. 2 is a perspective view of the golf hole cup of FIG. 1 showing an inserted fragmented environmental flag stick.
 FIG. 3 is a top view of the golf hole cup of FIG. 1; and,
 FIG. 4 is a left side view of the golf hole cup of FIG. 1 of which the right side view, front view and back view are mirror images thereof.
 The broken lines shown in the figures form no part of the claimed design.

1 Claim, 4 Drawing Sheets



(56)

References Cited

U.S. PATENT DOCUMENTS

2003/0228922 A1* 12/2003 Joswick G09F 23/0066
473/175
2003/0228923 A1* 12/2003 Joswick G09F 23/0066
473/175

* cited by examiner

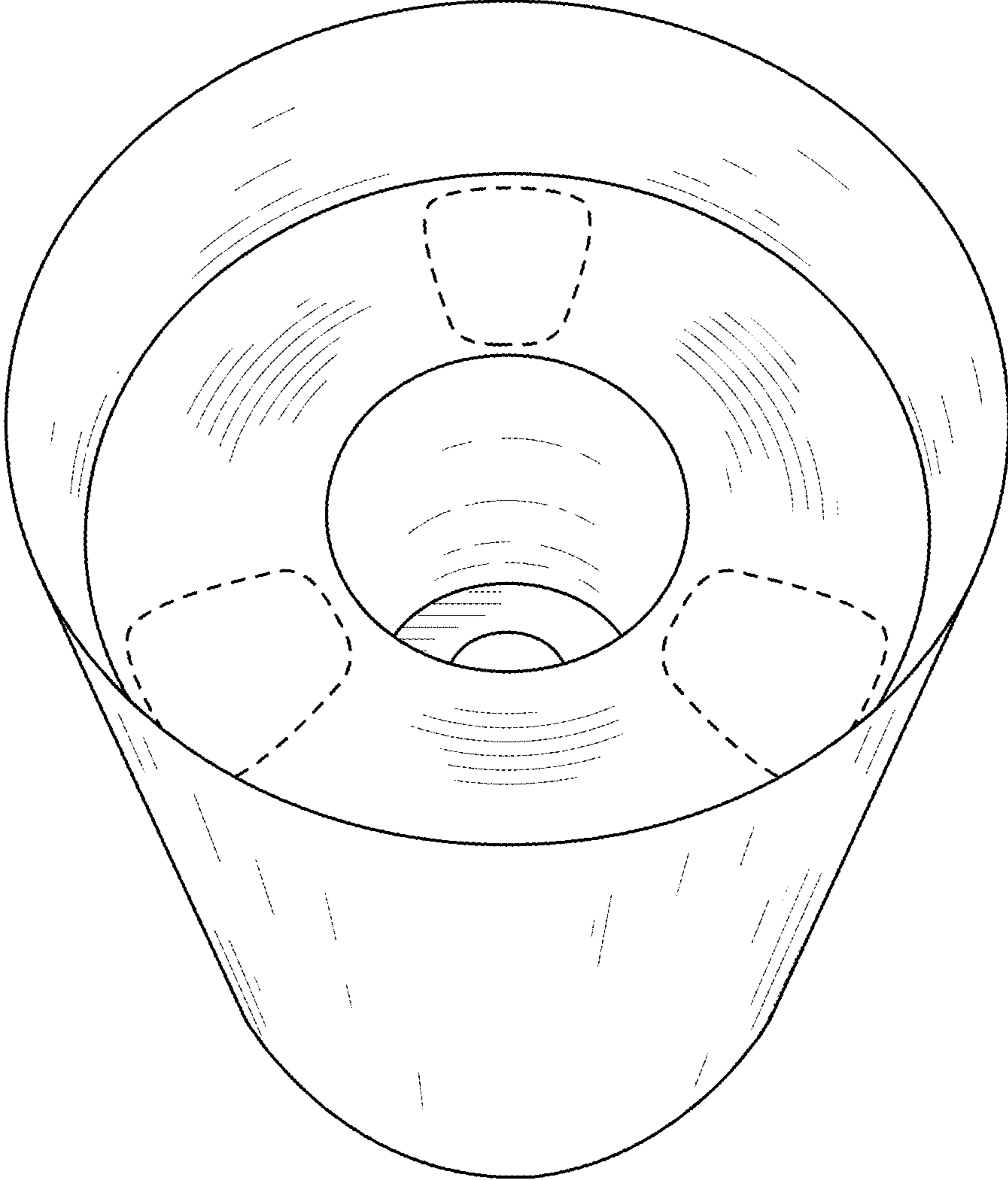


FIG. 1

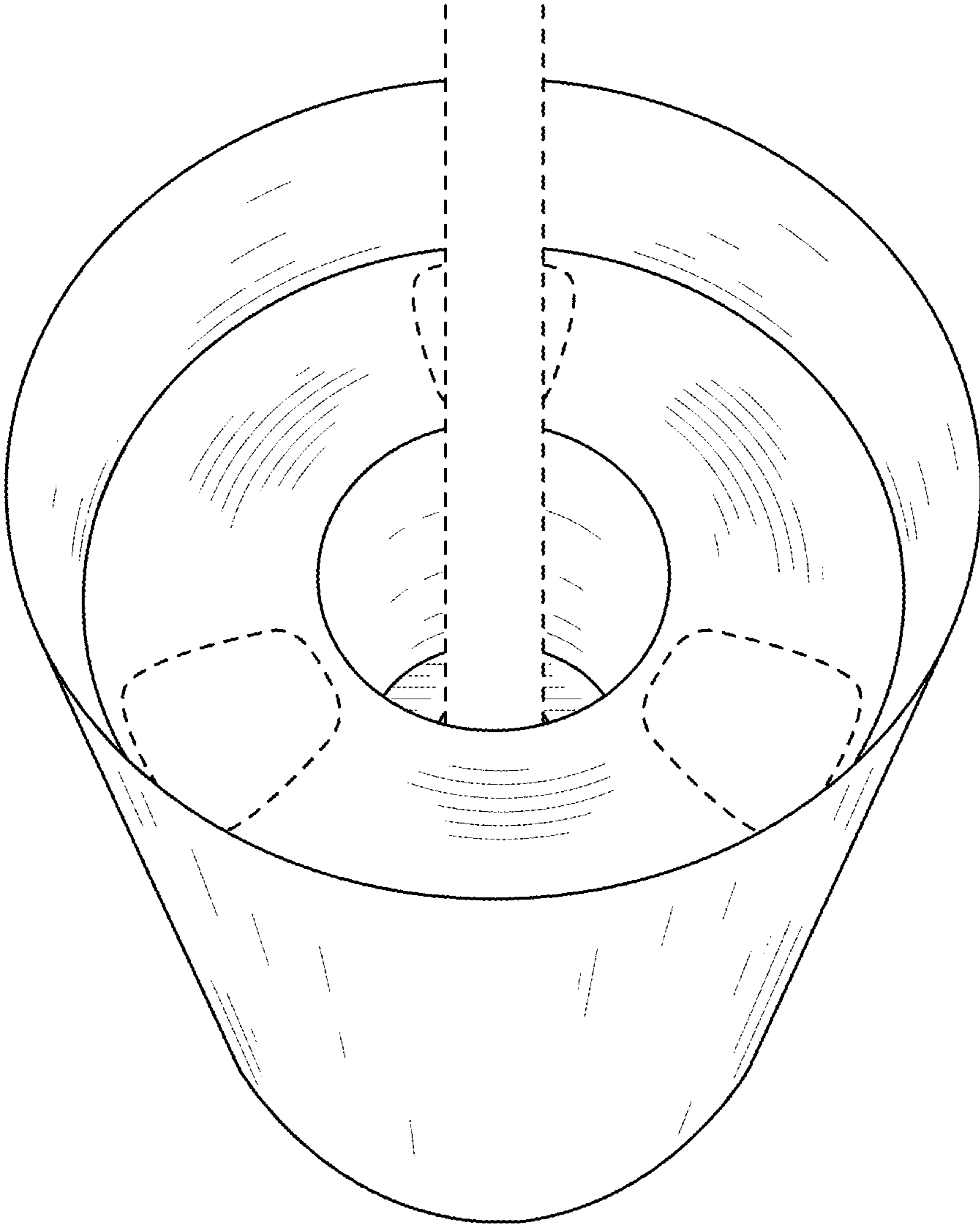


FIG. 2

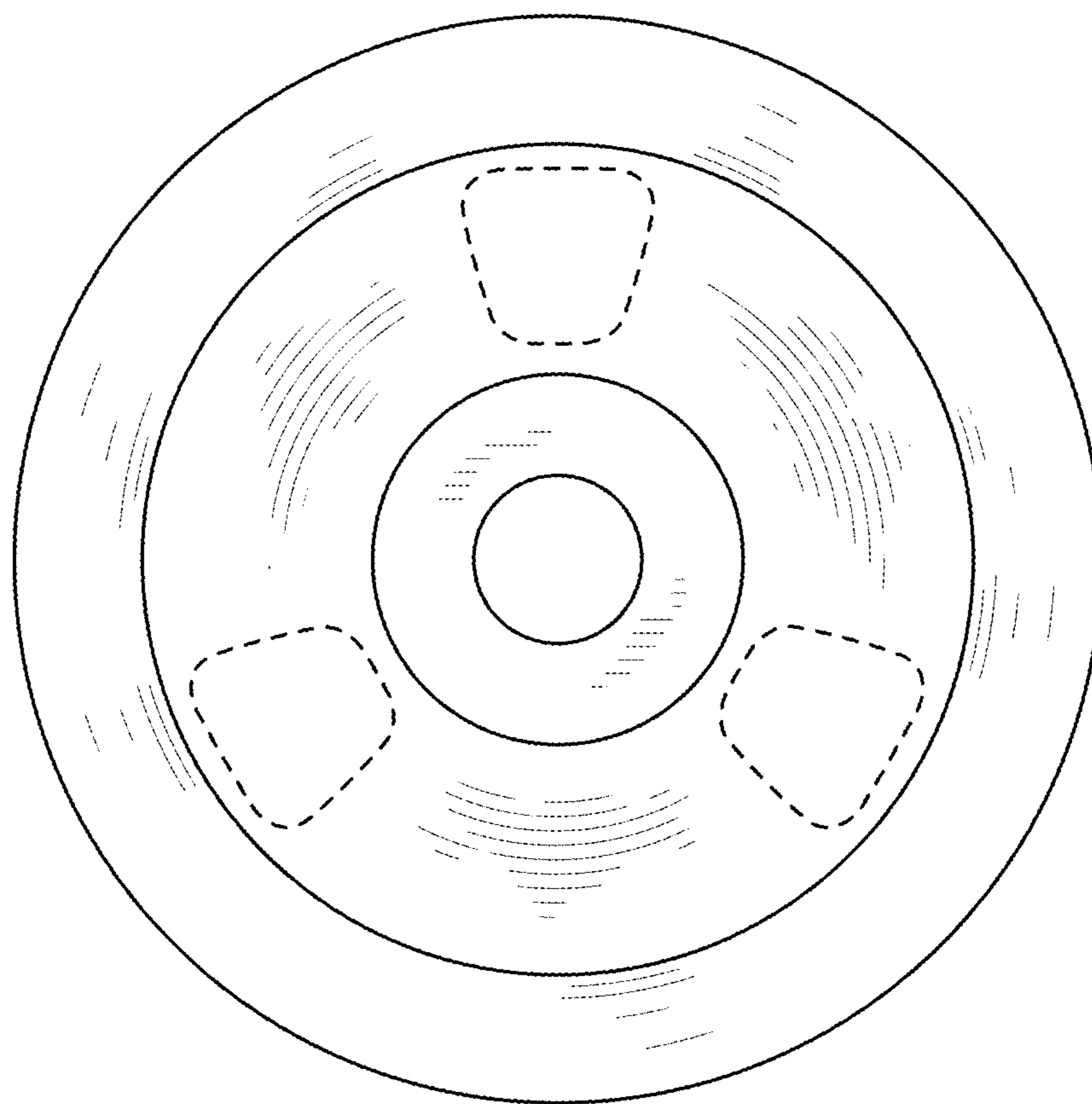


FIG. 3

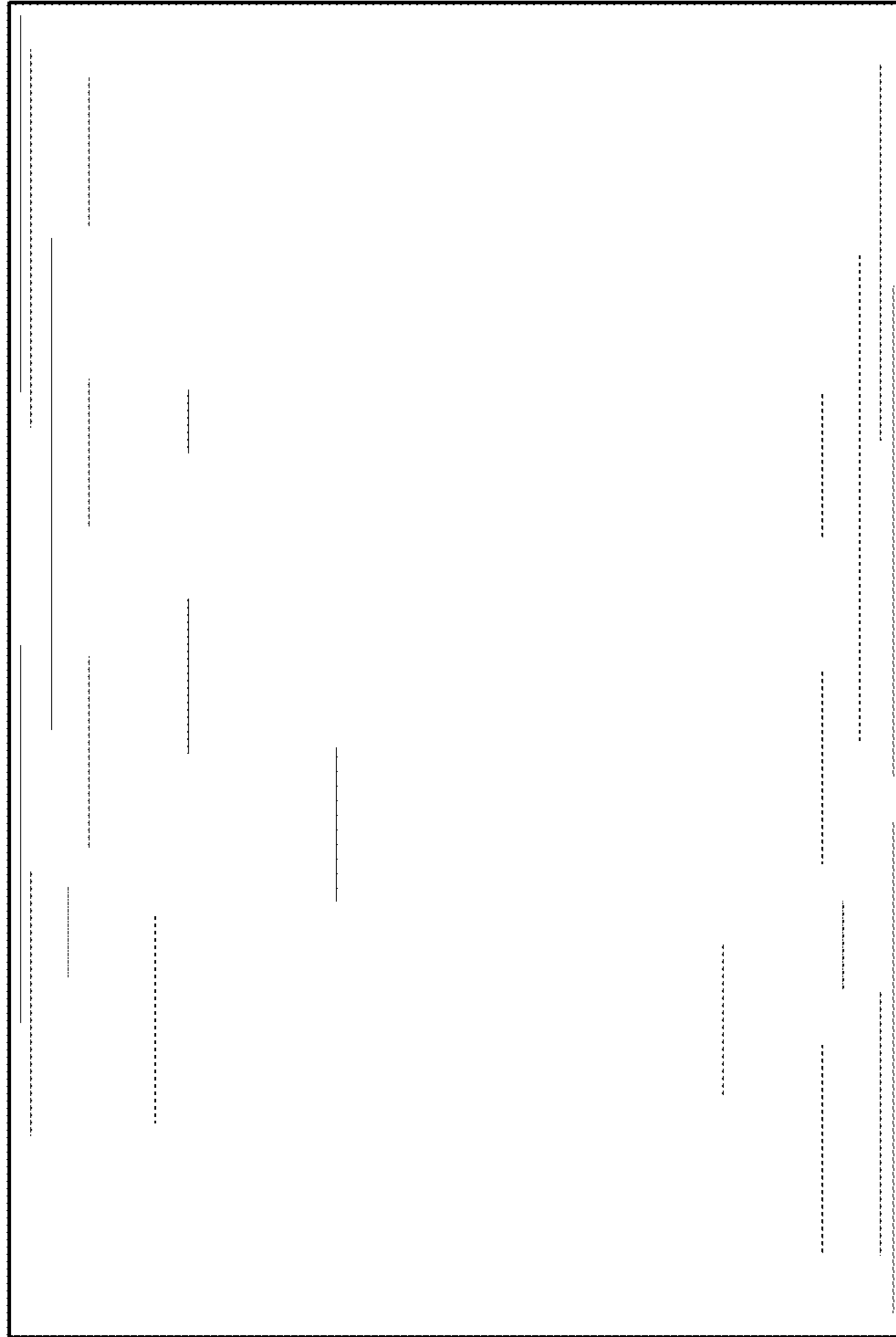


FIG. 4