



US00D903024S

(12) **United States Design Patent** (10) **Patent No.:** **US D903,024 S**
Mickley (45) **Date of Patent:** **** Nov. 24, 2020**

(54) **GOLF BALL TEEING DEVICE**
(71) Applicant: **Robert F. Mickley**, Keego Harbor, MI (US)
(72) Inventor: **Robert F. Mickley**, Keego Harbor, MI (US)
(73) Assignees: **Robert F. Mickley**, Keego Harbor, MI (US); **Una Christine Jackman**, Bloomfield Hills, MI (US)

D322,644 S 12/1991 Murphy
5,335,953 A 8/1994 Luther, Sr.
5,413,329 A 5/1995 Hirsch
5,482,247 A 1/1996 Smith
D380,025 S 6/1997 Digerness et al.
5,692,968 A 12/1997 Shine

(Continued)

FOREIGN PATENT DOCUMENTS

GB 2370788 A * 7/2002 A63B 47/02
JP H10-305119 A 11/1998

(**) Term: **15 Years**
(21) Appl. No.: **29/730,902**
(22) Filed: **Apr. 9, 2020**

OTHER PUBLICATIONS

Web site, <https://rangefrog.com/>, "Range Frog Golf—The Future of Practice Golf", 2 screen shot pages, (publication date unknown).

Primary Examiner — Catherine A Tuttle
(74) *Attorney, Agent, or Firm* — Harness, Dickey & Pierce, P.L.C.

Related U.S. Application Data
(63) Continuation of application No. 29/667,264, filed on Oct. 19, 2018, now Pat. No. Des. 882,709.
(51) **LOC (12) Cl.** **21-02**
(52) **U.S. Cl.**
USPC **D21/789**; D21/715; D21/721; D21/796
(58) **Field of Classification Search**
USPC D21/715–721, 789–796; 473/132–134, 473/137, 282–286, 417, 503, 569; 294/19.2
CPC A63B 47/00; A63B 47/002; A63B 47/02; A63B 57/00; A63B 57/0006; A63B 57/0037; A63B 57/20; A63B 57/203
See application file for complete search history.

(57) **CLAIM**

The ornamental design for a golf ball teeing device, as shown and described.

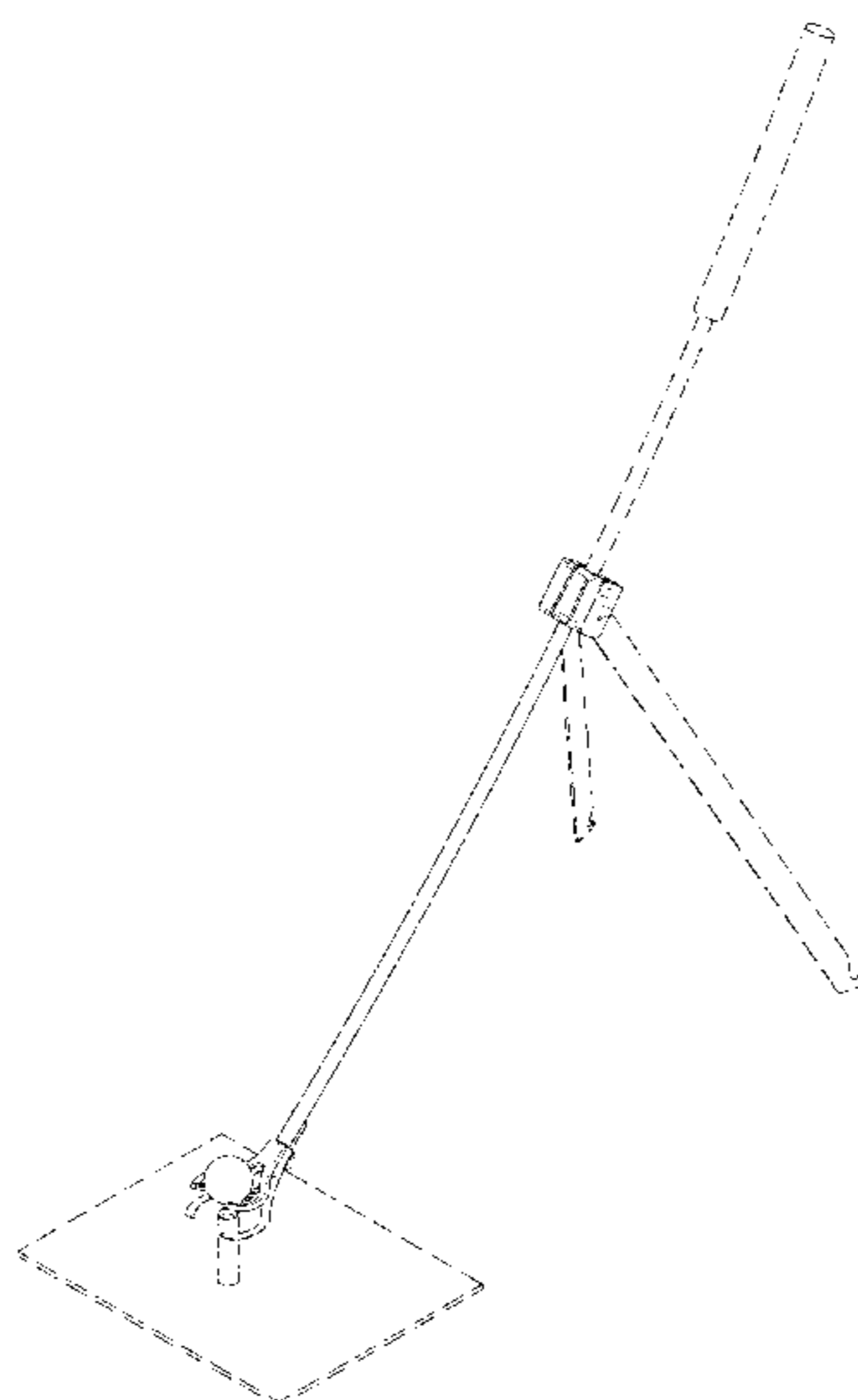
DESCRIPTION

FIG. 1 is a perspective view of a golf ball teeing device embodying my new design, showing the design in use for teeing a golf ball;
FIG. 2 is a perspective view thereof shown without the environmental, in use disclosure in FIG. 1;
FIG. 3 is rear perspective view thereof;
FIG. 4 is a front view thereof;
FIG. 5 is a rear view thereof;
FIG. 6 is a top view thereof;
FIG. 7 is a bottom view thereof; and,
FIG. 8 is a right side view thereof.
The broken lines depicting portions of the golf ball teeing device and its environment are for illustrative purposes only and form no part of the claimed invention.

(56) **References Cited**
U.S. PATENT DOCUMENTS

D216,403 S 12/1969 Terry
4,046,413 A * 9/1977 Jeninga A63B 47/02 294/19.2
4,136,901 A 1/1979 Walter
4,180,288 A * 12/1979 Sievers A63B 47/02 294/19.2
4,616,826 A 10/1986 Trefts

1 Claim, 7 Drawing Sheets



(56)

References Cited

U.S. PATENT DOCUMENTS

5,759,117	A	6/1998	Erickson, Jr.	
5,884,881	A	3/1999	Band et al.	
D434,460	S	11/2000	Carter et al.	
6,199,926	B1	3/2001	Lemoine	
6,283,875	B1	9/2001	Jones	
6,817,955	B2	11/2004	O'Donnell et al.	
7,351,156	B1	4/2008	Panneri et al.	
7,677,994	B2	3/2010	Matsumoto et al.	
7,951,014	B2	5/2011	Nickel	
7,963,854	B2	6/2011	Nugent et al.	
D641,822	S	7/2011	Corbin et al.	
8,529,379	B1	9/2013	Faircloth	
D779,605	S	2/2017	Urioste	
10,213,657	B1	2/2019	Klevana et al.	
2002/0082107	A1	6/2002	Imahata	
2005/0170904	A1	8/2005	Smeeth	
2006/0058109	A1	3/2006	Wilson	
2009/0318241	A1	12/2009	Quinn	
2010/0087265	A1	4/2010	Rolando	
2010/0190563	A1	7/2010	Smith	
2011/0092317	A1*	4/2011	Burgess	A63B 69/0002 473/417
2012/0115629	A1	5/2012	McDowell et al.	
2014/0031137	A1	1/2014	Basile	
2018/0369664	A1*	12/2018	Jensen	A63B 55/408

* cited by examiner

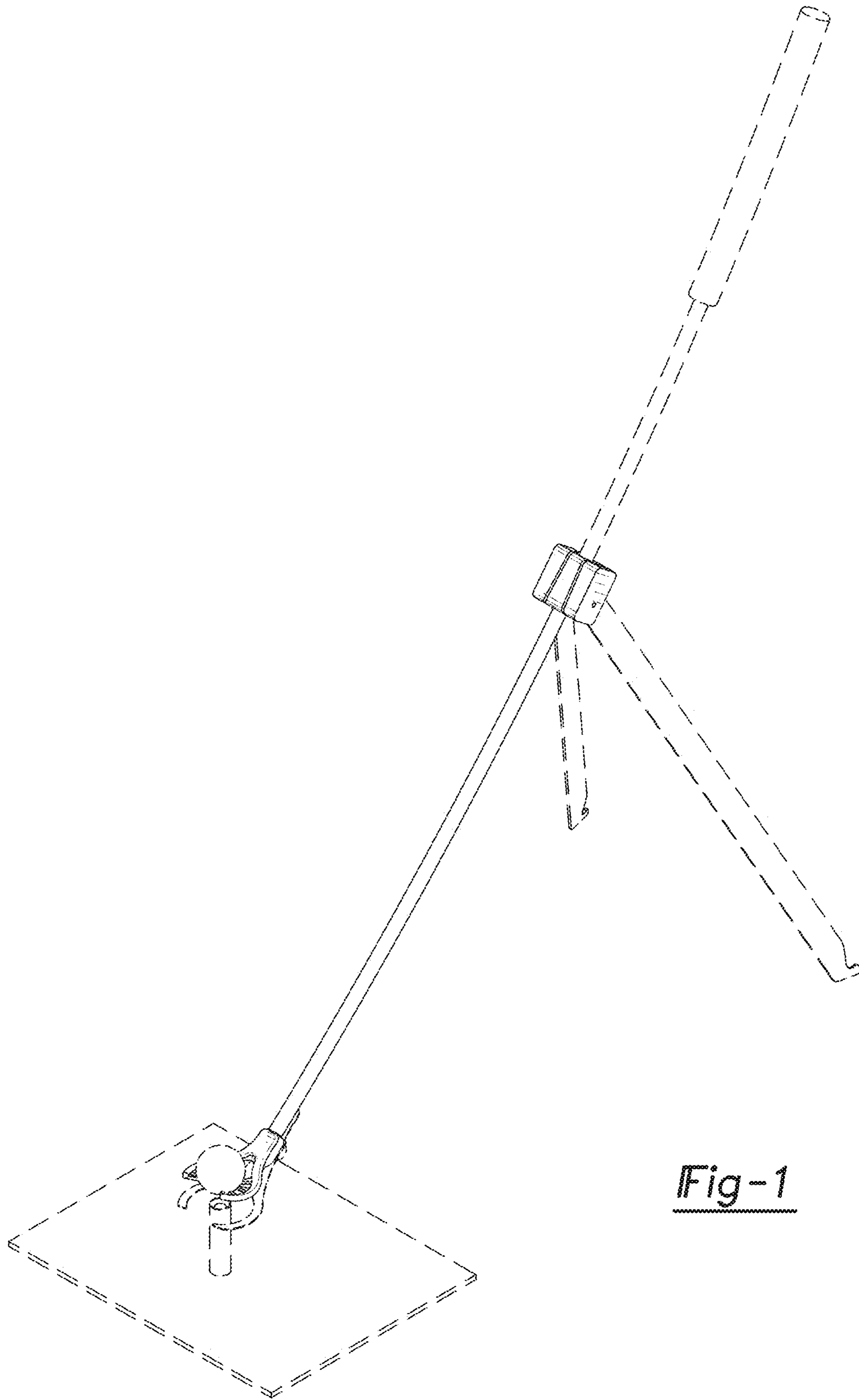


Fig-1

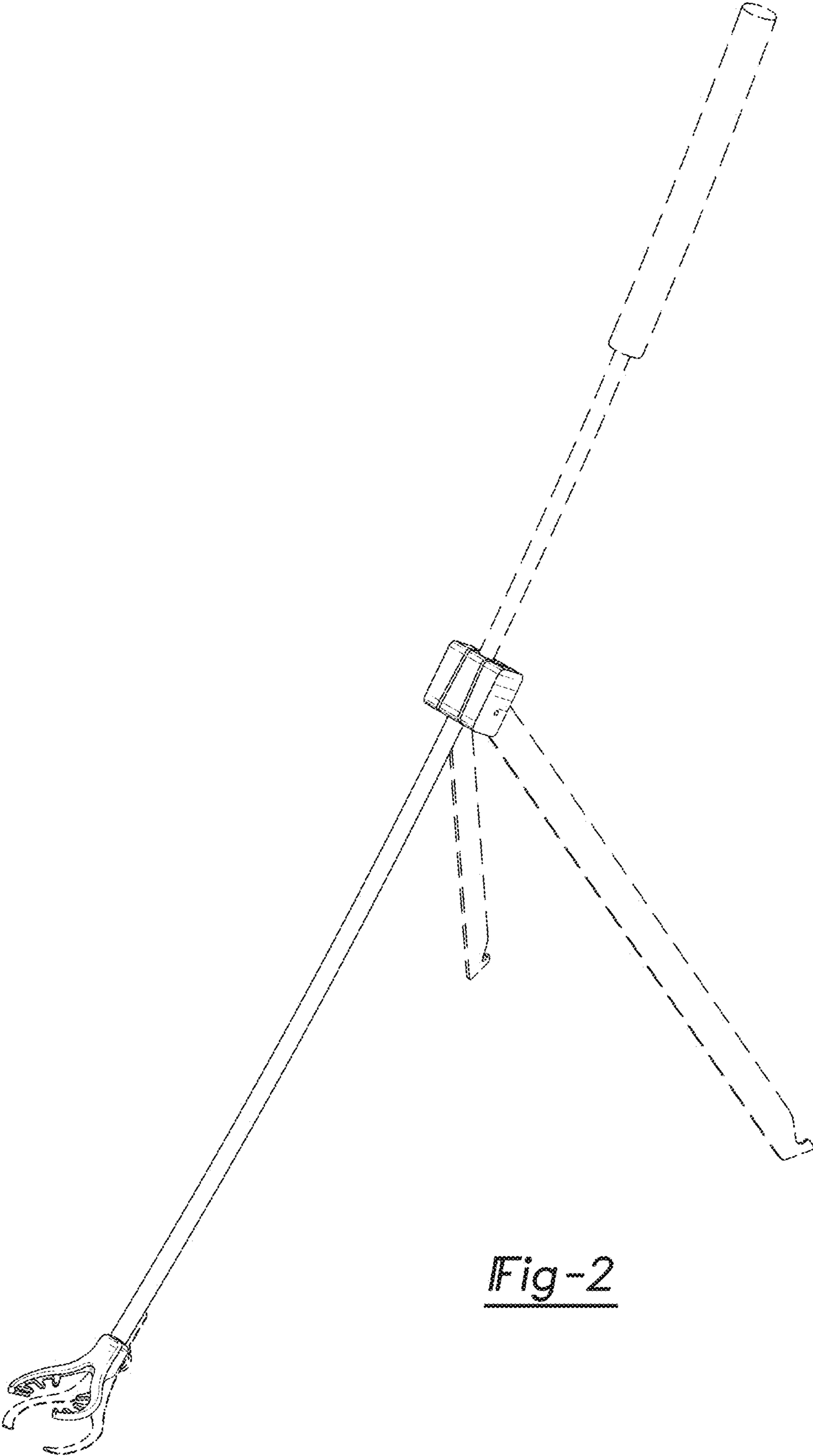


Fig-2

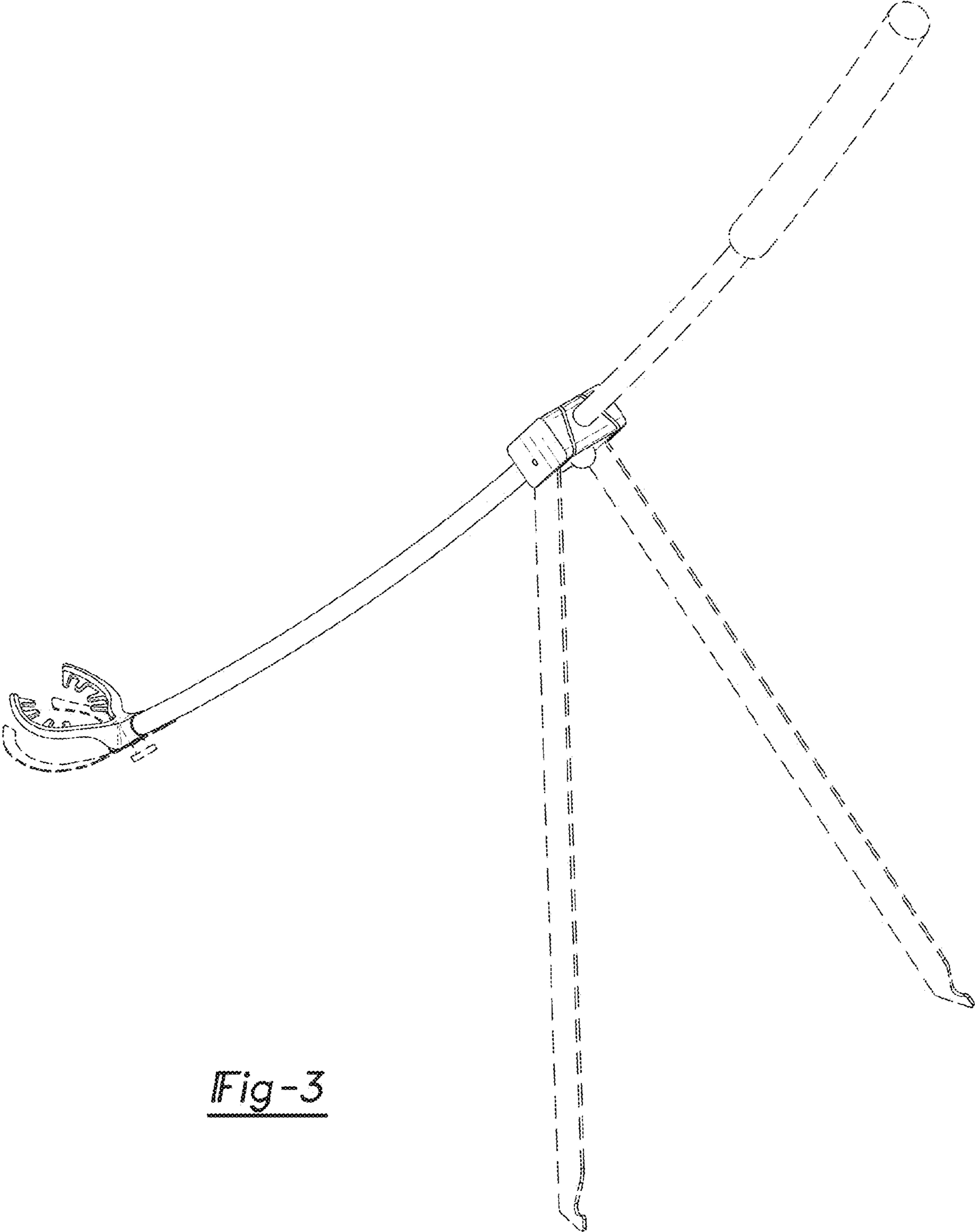


Fig-3

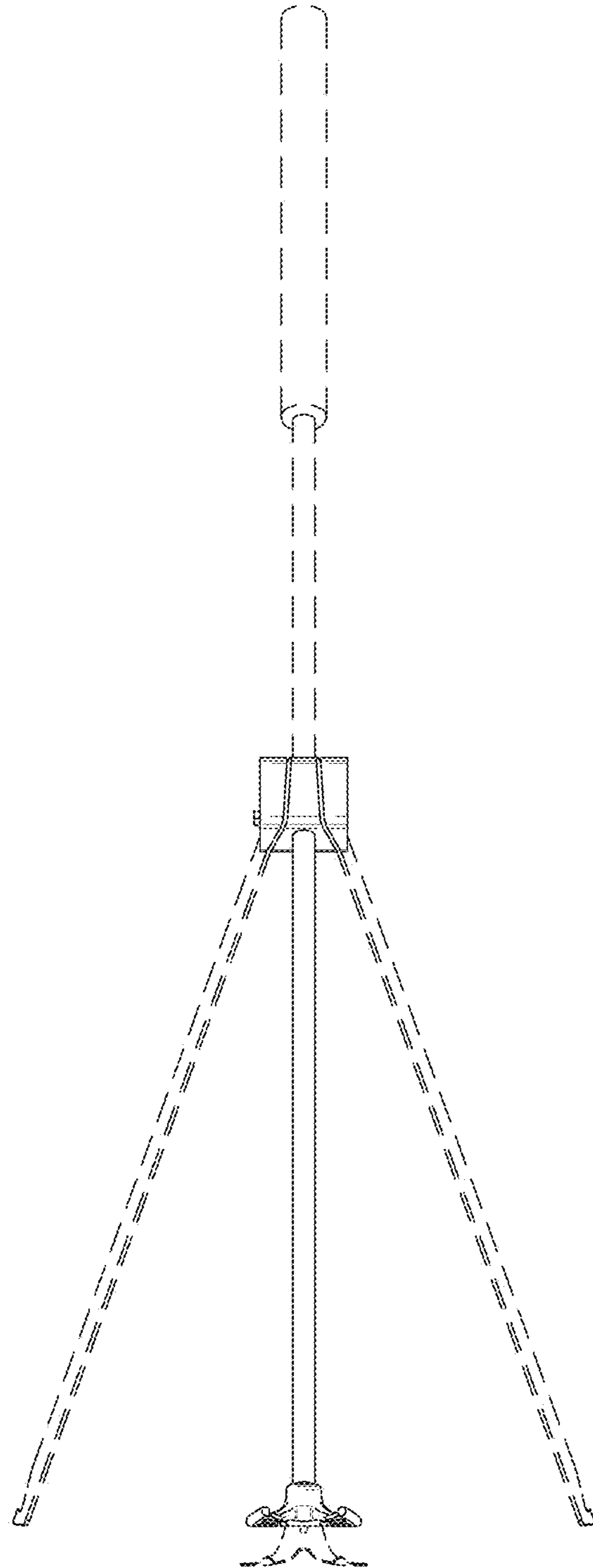


Fig-4

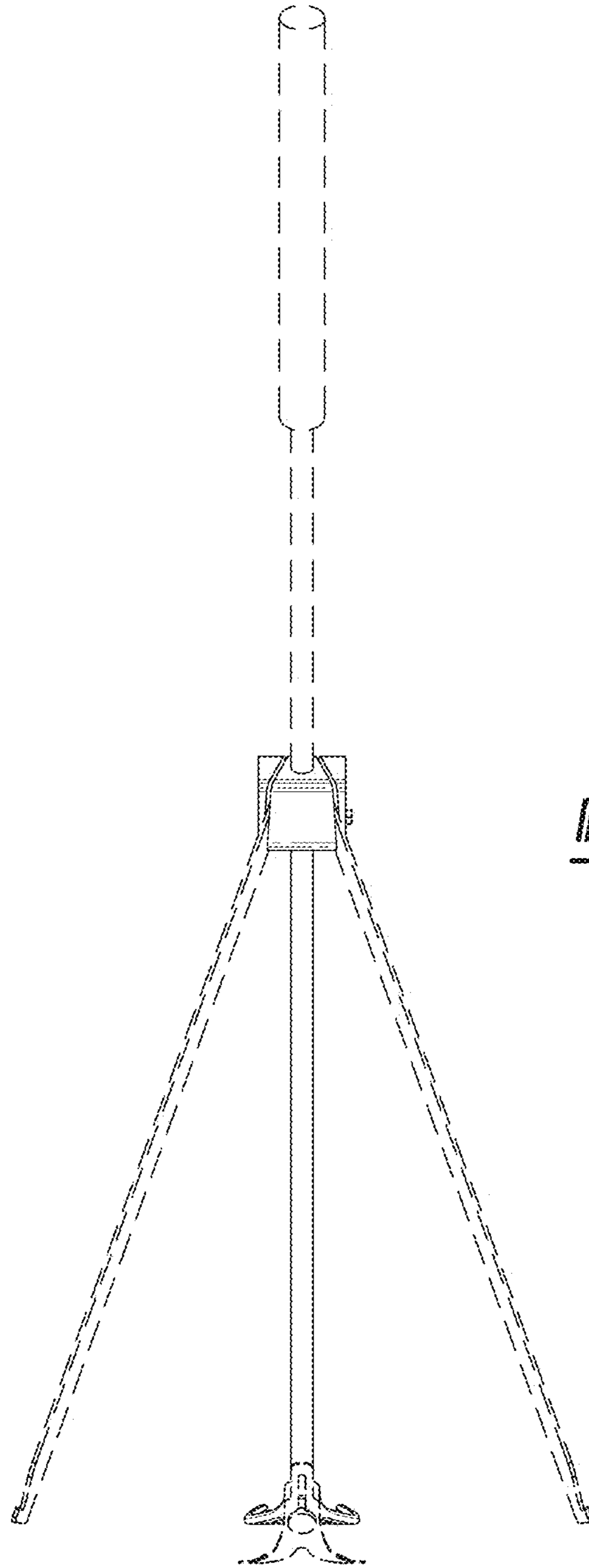


Fig-5

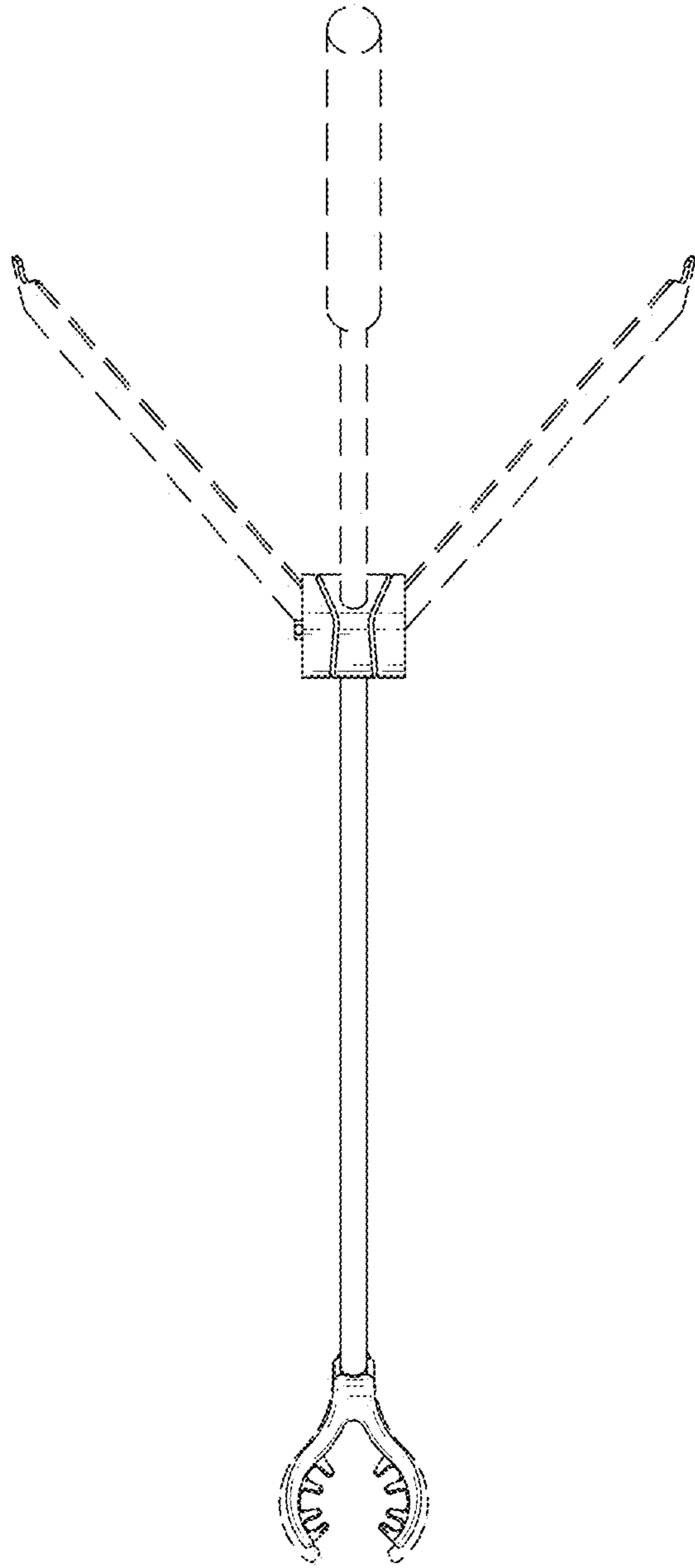


Fig-6

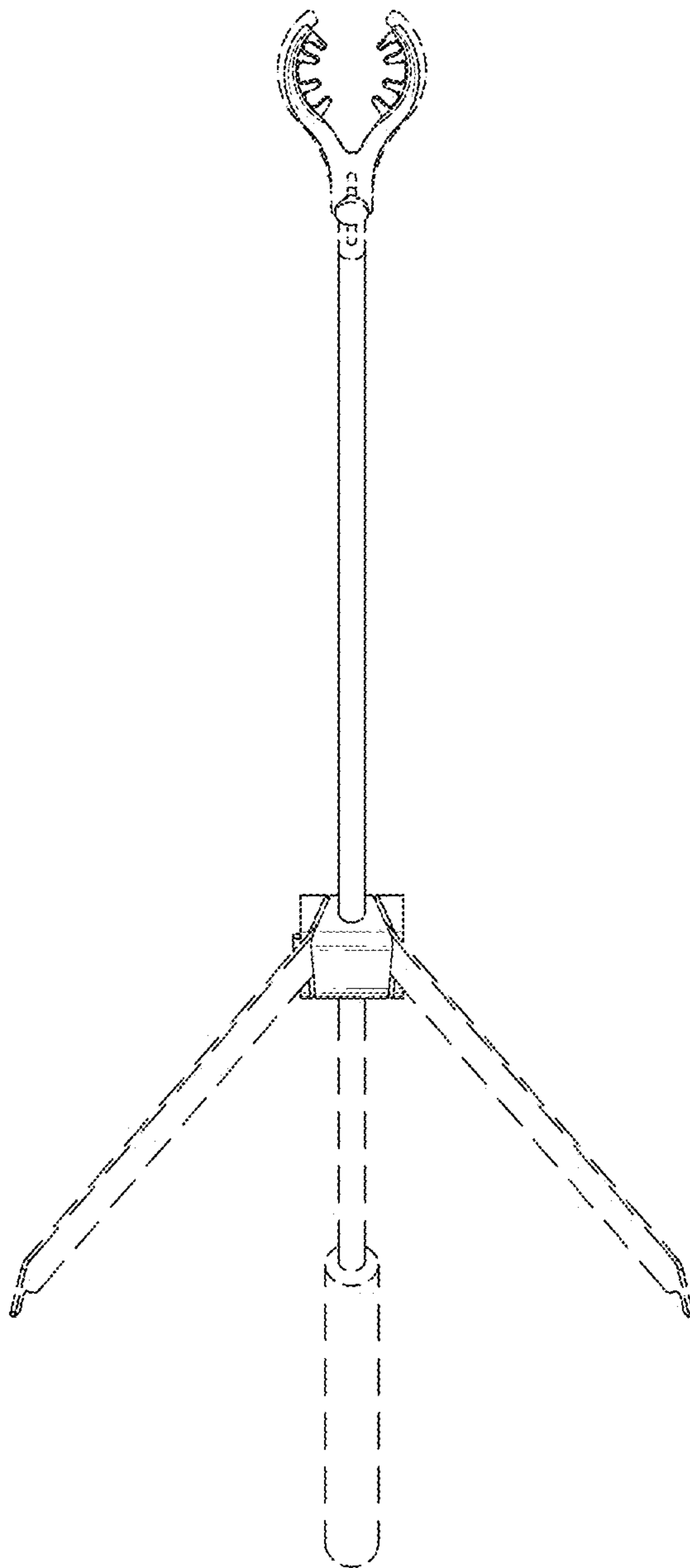


Fig-7

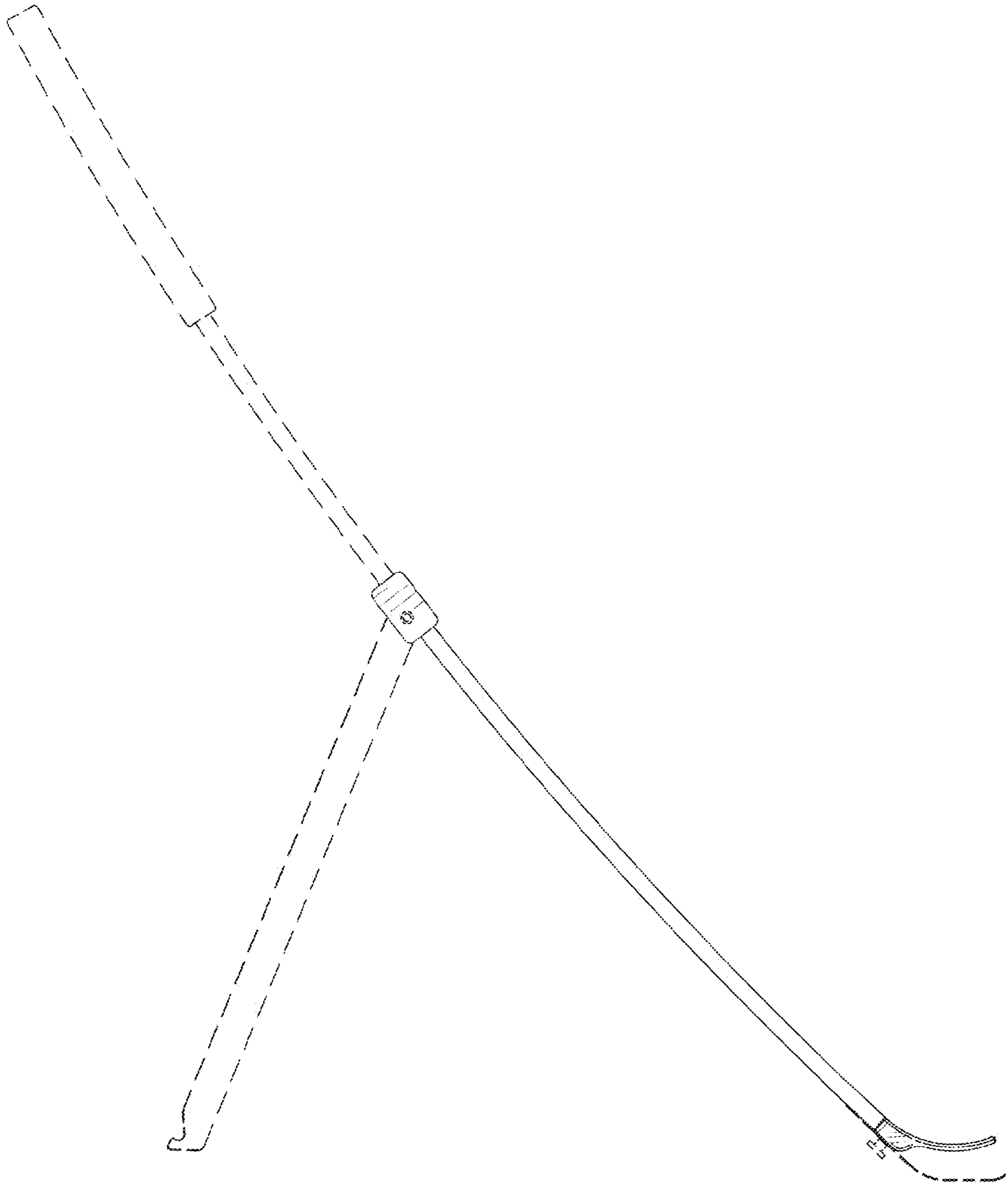


Fig-8