



US00D903019S

(12) **United States Design Patent** (10) **Patent No.:** **US D903,019 S**  
**Sotis** (45) **Date of Patent:** **\*\* Nov. 24, 2020**

(54) **ATHLETIC ACTIVITY SUPPORT STRUCTURE**

D593,169 S \* 5/2009 Storch ..... D21/686  
D617,400 S \* 6/2010 Hetzel ..... D21/691  
D628,663 S \* 12/2010 Loucks ..... D21/694

(Continued)

(71) Applicant: **Prism Fitness, Inc.**, Verona, WI (US)

(72) Inventor: **William J. Sotis**, Fitchburg, WI (US)

(73) Assignee: **PRISM FITNESS, INC.**, Verona, WI (US)

(\*\*) Term: **15 Years**

(21) Appl. No.: **29/681,815**

(22) Filed: **Feb. 28, 2019**

(51) **LOC (12) Cl.** ..... **21-02**

(52) **U.S. Cl.**  
USPC ..... **D21/686**

(58) **Field of Classification Search**  
USPC ..... D21/662, 673, 686, 691, 694, 798, 826;  
D25/62, 66, 68, 119, 126; D6/315, 323,  
D6/329, 681.1; D8/323, 354; D32/58  
CPC . A63B 21/026; A63B 23/1218; A63B 71/023;  
A63B 9/00  
See application file for complete search history.

(56) **References Cited**

**U.S. PATENT DOCUMENTS**

D314,025 S \* 1/1991 Shimer ..... D21/691  
D324,708 S \* 3/1992 Walsh ..... D21/691  
D352,540 S \* 11/1994 Harger ..... D21/691  
D355,005 S \* 1/1995 Voothanel, Jr. .... D21/691  
D377,728 S \* 2/1997 Klein ..... D6/315  
D392,005 S \* 3/1998 Piaget ..... D21/668  
D394,482 S \* 5/1998 Colonello ..... D21/673  
D408,480 S \* 4/1999 Haugo ..... D21/691  
D503,757 S \* 4/2005 Sjurdagardi ..... D21/686  
D506,516 S \* 6/2005 Yang ..... D21/686  
D525,668 S \* 7/2006 Payne ..... D21/691  
7,144,353 B2 \* 12/2006 Sjuragari ..... A63B 21/00047  
482/142  
D578,582 S \* 10/2008 Gomez ..... D21/686

**OTHER PUBLICATIONS**

Youtube, "Prism Fitness Functional Training Center Tour", Apr. 4, 2019. [https://www.youtube.com/watch?v=FjsA\\_OkLJKI](https://www.youtube.com/watch?v=FjsA_OkLJKI). Shown at the 00:19 min mark. (Year: 2019).\*

(Continued)

*Primary Examiner* — Cynthia Ramirez

*Assistant Examiner* — Michael A Maharajh

(74) *Attorney, Agent, or Firm* — Stiennon & Stiennon

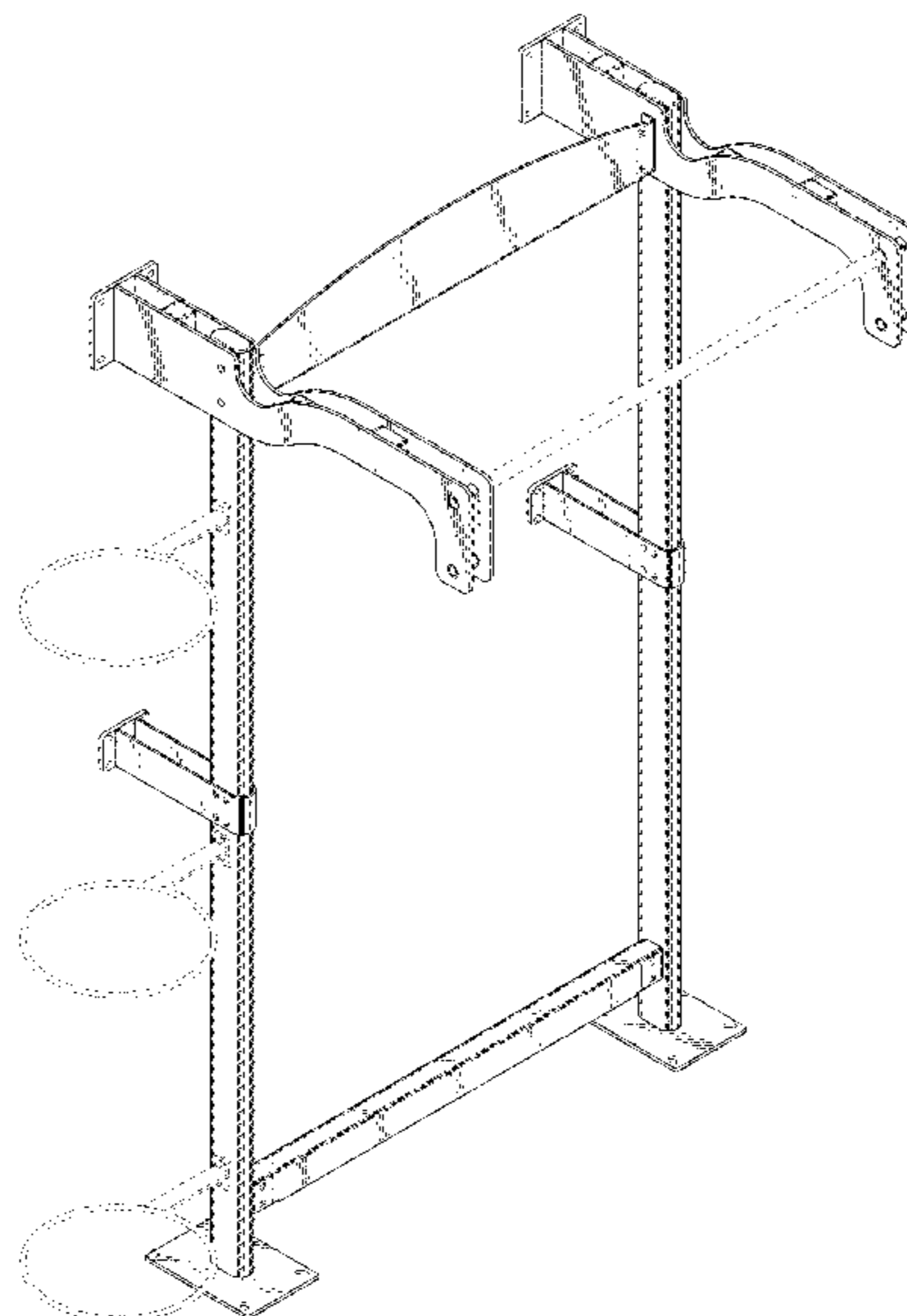
(57) **CLAIM**

The ornamental design for an athletic activity support structure, as shown and described.

**DESCRIPTION**

FIG. 1 is a perspective view of the athletic activity support structure, showing my new design;  
FIG. 2 is a front elevational view thereof;  
FIG. 3 is rear elevational view thereof; and  
FIG. 4 is a top plan thereof;  
FIG. 5 is a bottom plan thereof;  
FIG. 6 is a left side elevational view thereof;  
FIG. 7 is a right side elevational view thereof;  
FIG. 8 is a perspective view of an alternate athletic activity support structure;  
FIG. 9 is a front elevational view thereof;  
FIG. 10 is rear elevational view thereof;  
FIG. 11 is a top plan thereof;  
FIG. 12 is a bottom plan thereof;  
FIG. 13 is a left side elevational view thereof; and,  
FIG. 14 is a right side elevational view thereof.  
The broken lines in the drawings are for the purpose of illustrating portions of the athletic activity support structure, which form no part of the claimed design.

**1 Claim, 8 Drawing Sheets**



(56)

References Cited

U.S. PATENT DOCUMENTS

|              |      |         |               |       |                          |
|--------------|------|---------|---------------|-------|--------------------------|
| D633,962     | S *  | 3/2011  | Stacey        | ..... | D21/691                  |
| RE43,397     | E *  | 5/2012  | Rogers        | ..... | D21/694                  |
| D664,624     | S *  | 7/2012  | Orsulak       | ..... | D21/826                  |
| D665,861     | S *  | 8/2012  | Ecsedy        | ..... | D21/694                  |
| D686,287     | S *  | 7/2013  | Boatwright    | ..... | D21/691                  |
| D694,349     | S *  | 11/2013 | Chen          | ..... | D21/688                  |
| D698,402     | S *  | 1/2014  | Saletta       | ..... | D21/691                  |
| D701,581     | S *  | 3/2014  | Heitzman      | ..... | D21/686                  |
| D728,708     | S *  | 5/2015  | Green         | ..... | D21/679                  |
| D796,387     | S *  | 9/2017  | Lee           | ..... | D12/115                  |
| D798,015     | S *  | 9/2017  | Gresham       | ..... | D34/6                    |
| D843,520     | S *  | 3/2019  | Thompson      | ..... | D21/691                  |
| D843,521     | S *  | 3/2019  | Haddad        | ..... | D21/691                  |
| D848,556     | S *  | 5/2019  | Bolillo       | ..... | A63B 26/003<br>D21/691   |
| D855,721     | S *  | 8/2019  | Bentsen       | ..... | D21/691                  |
| D868,911     | S *  | 12/2019 | Rogers        | ..... | D21/691                  |
| 2005/0187083 | A1 * | 8/2005  | Krystoff      | ..... | A63B 21/00047<br>482/140 |
| 2005/0192126 | A1 * | 9/2005  | Remaklus      | ..... | A63B 67/02<br>473/447    |
| 2005/0209054 | A1 * | 9/2005  | Thomas Lebert | ..... | A63B 1/00<br>482/41      |

OTHER PUBLICATIONS

“Essential Storage Tower,” Prism Fitness, Verona, WI, fragmentary screen shot, prior to Feb. 28, 2019, <https://prismfitnessgroup.com/product/essential-storage-tower/>.

“Deluxe Storage Tower,” Prism Fitness, Verona, WI, fragmentary screen shot, prior to Feb. 28, 2019, <https://prismfitnessgroup.com/product/self-guided-storage-tower/>.

“Elite Storage Tower,” Prism Fitness, Verona, WI, fragmentary screen shot, prior to Feb. 28, 2019, <https://prismfitnessgroup.com/product/elite-storage-tower/>.

“Economy Storage Tower,” Prism Fitness, Verona, WI, fragmentary screen shot, prior to Feb. 28, 2019, <https://prismfitnessgroup.com/product/medicine-ball-rack/>.

“Wall-Mounted Stability Ball Rack,” Prism Fitness, Verona, WI, fragmentary screen shot, prior to Feb. 28, 2019, <https://prismfitnessgroup.com/product/wall-mounted-stability-ball-rack/>.

“Wall-Mounted Medicine Ball Rack,” Prism Fitness, Verona, WI, fragmentary screen shot, prior to Feb. 28, 2019, <https://prismfitnessgroup.com/product/wall-mounted-medicine-ball-rack/>.

“Torque USA X-Create 5-Module Storage Wall,” Torque Fitness, © 2017.

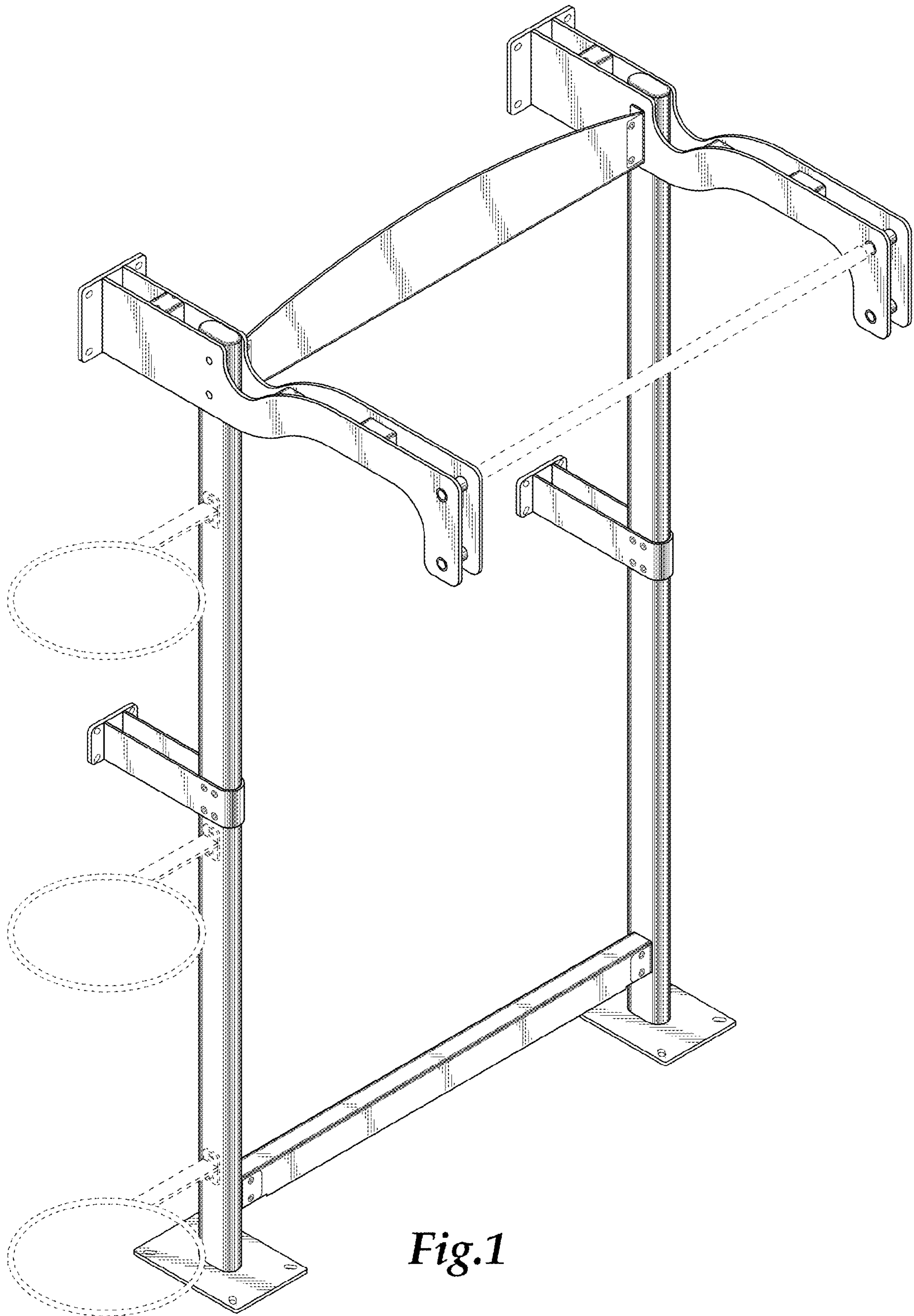
X-Create homepage image Torque Fitness, © 2017 <https://www.torquefitness.com/collections/x-create>.

“Aktiv Gym RAX,” fragmentary screen shots from “The Functional Training Ecosystem,” video prior to 2018, <https://vimeo.com/159726563>.

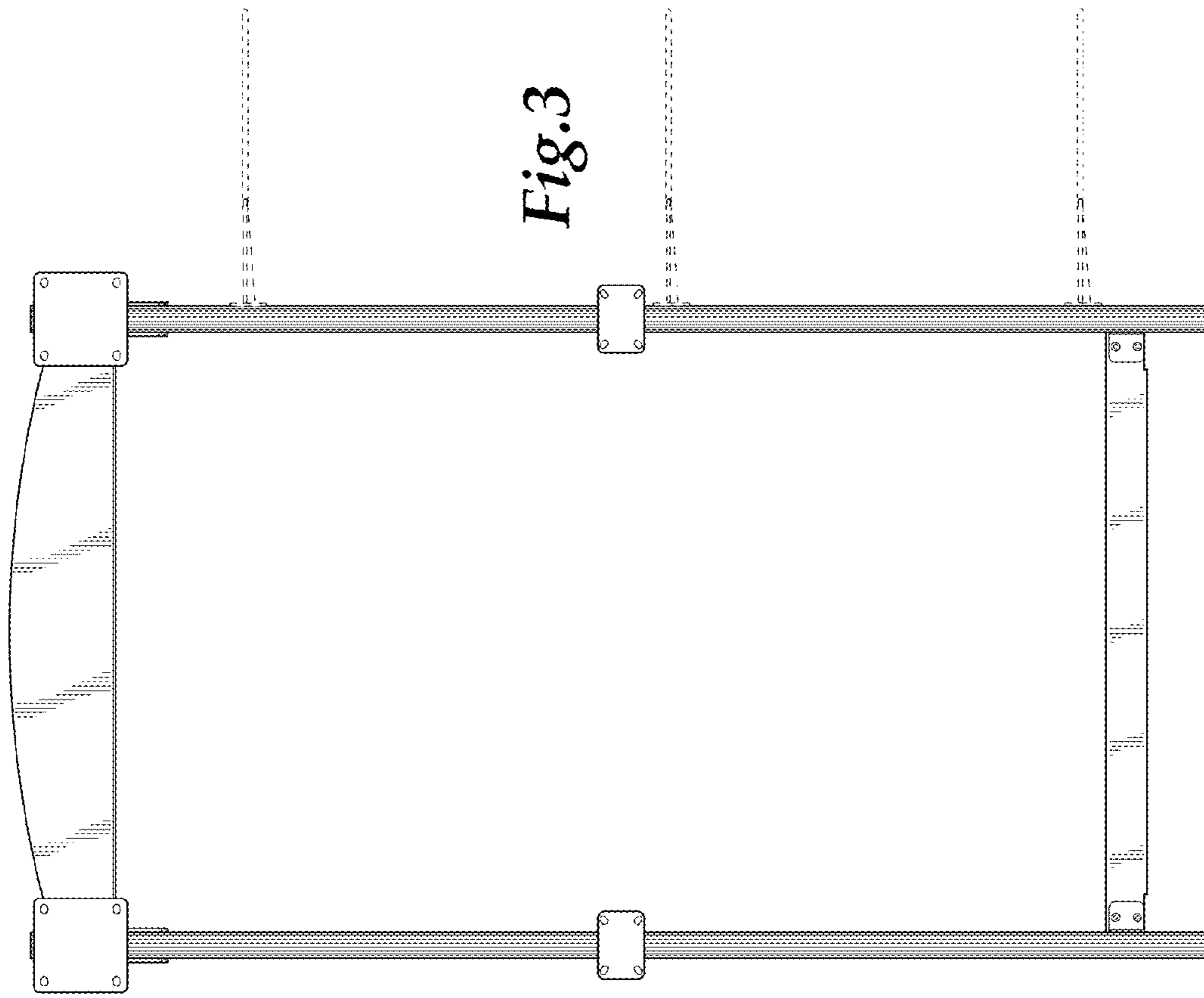
“Technogym Launches Skilltools,” Sep. 18, 2018 <https://www.alfaleisure.org.au/technogym-launches-skilltools/>.

“SYNRGY90,” Life Fitness, © 2016 Life Fitness division of Brunswick Corporation.

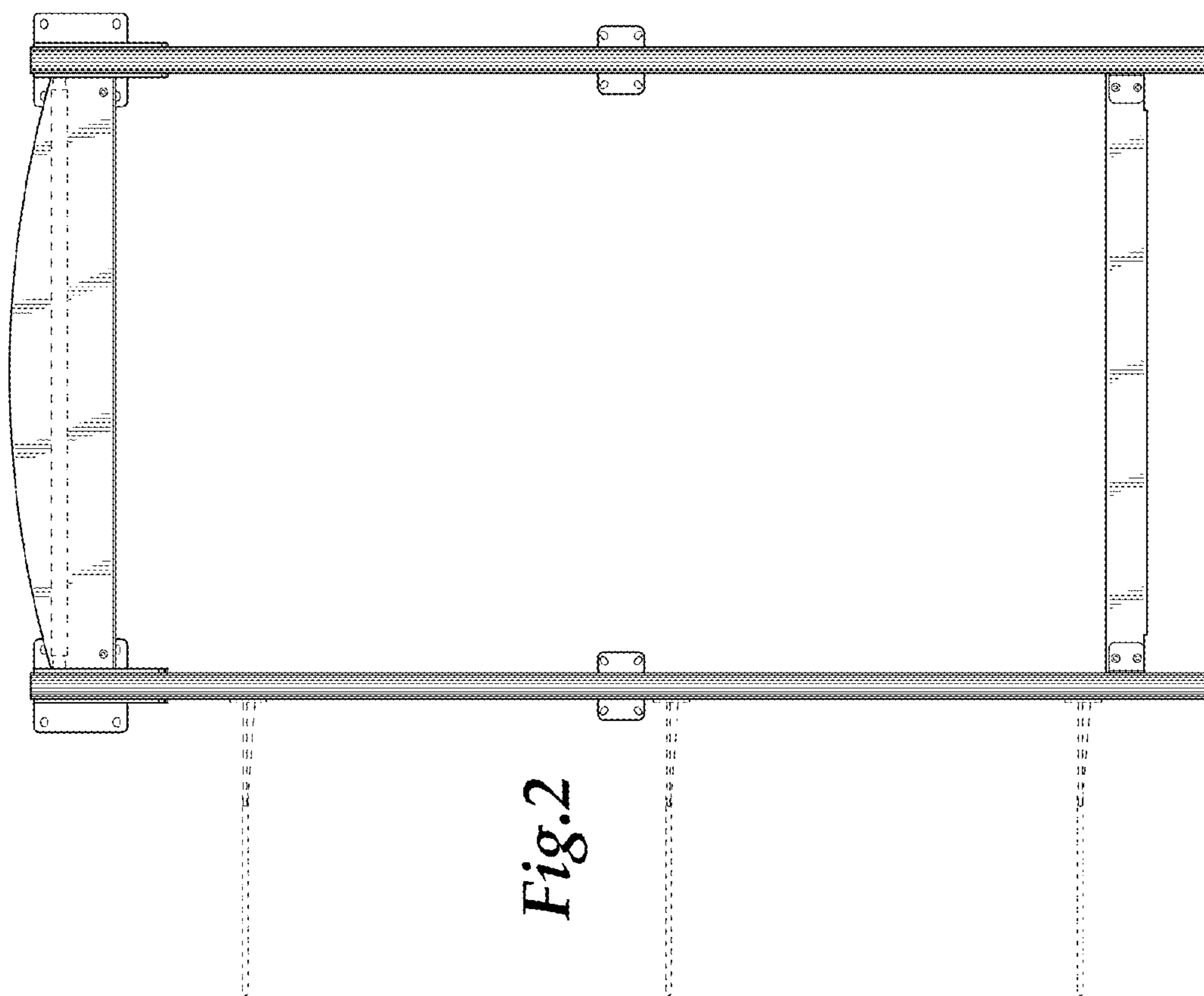
\* cited by examiner



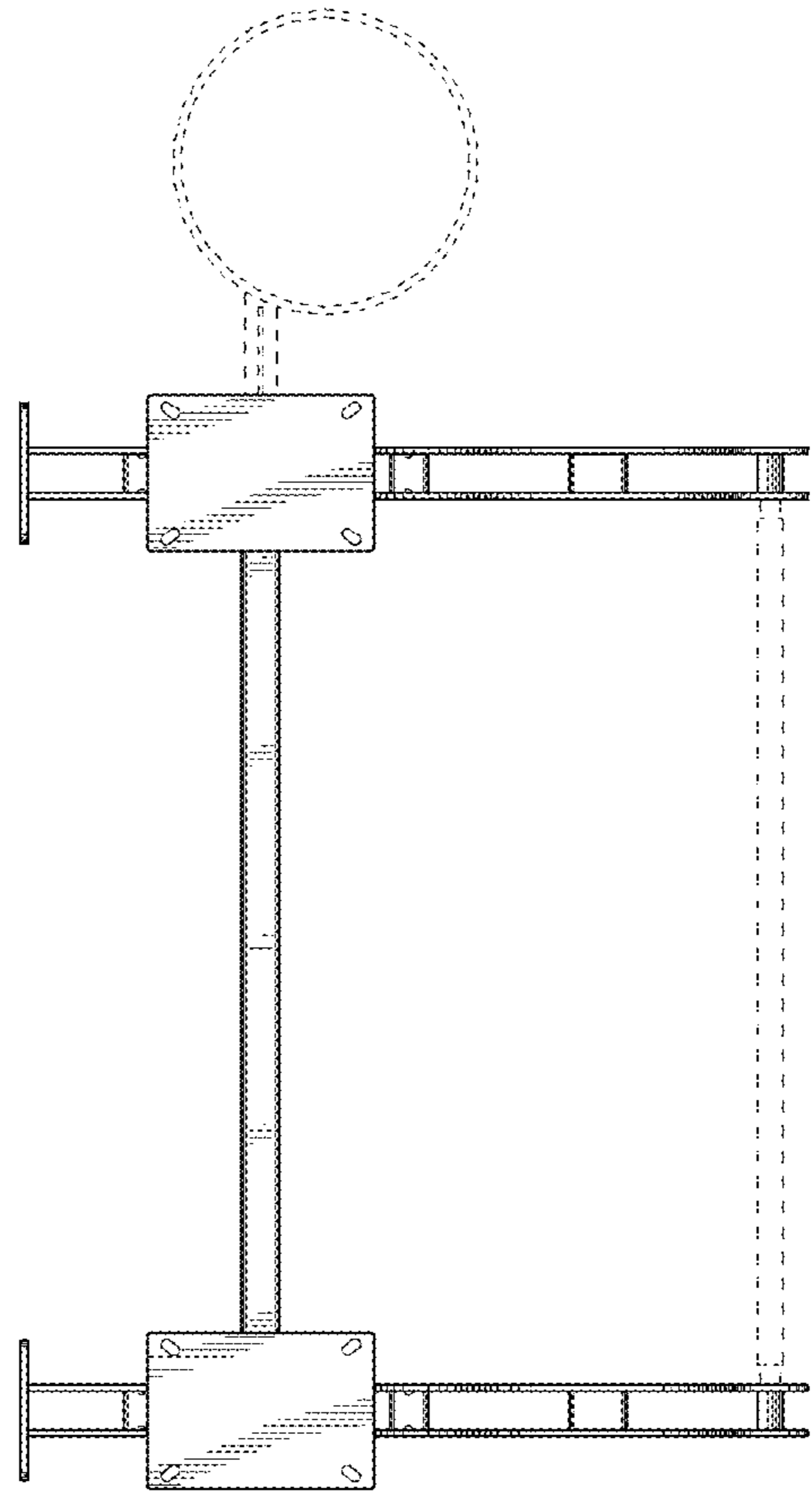
*Fig.1*



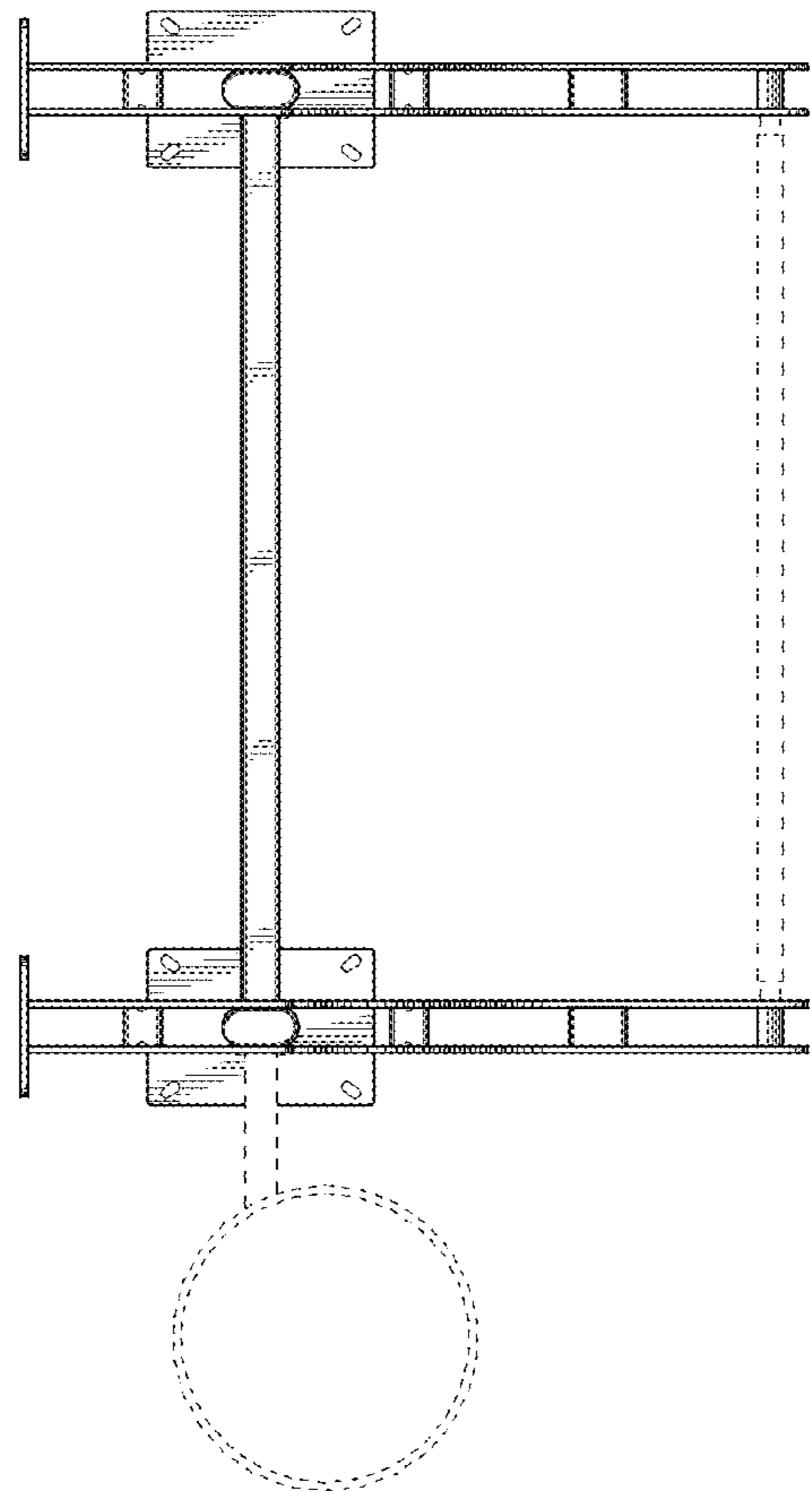
*Fig.3*



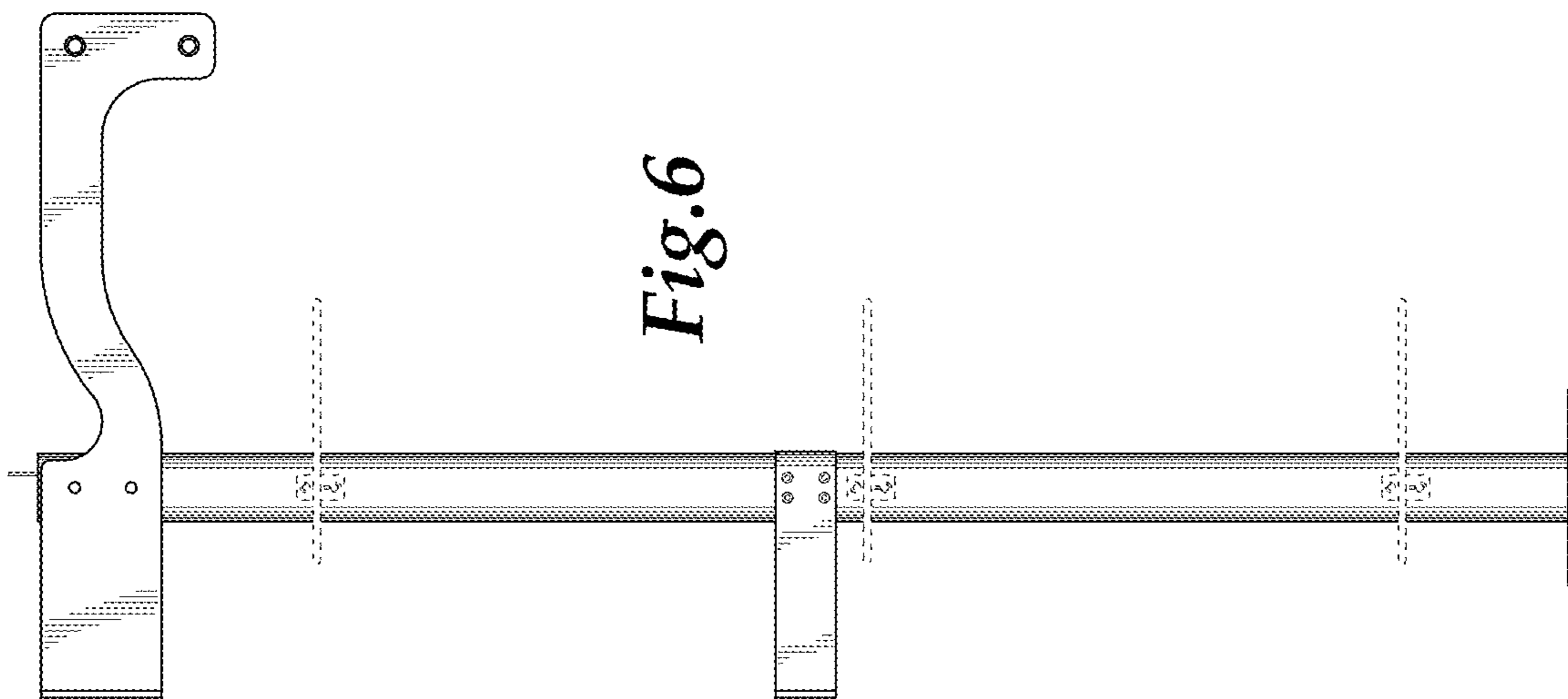
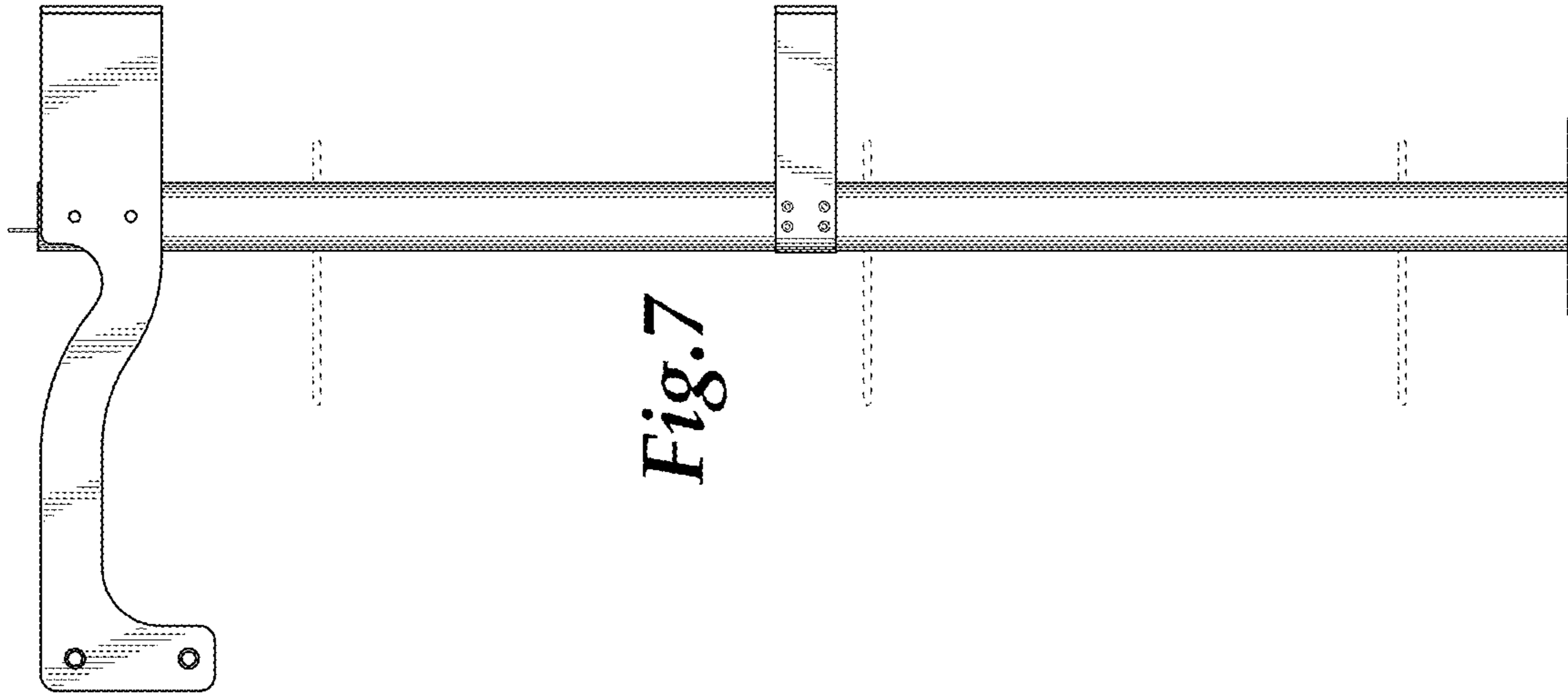
*Fig.2*

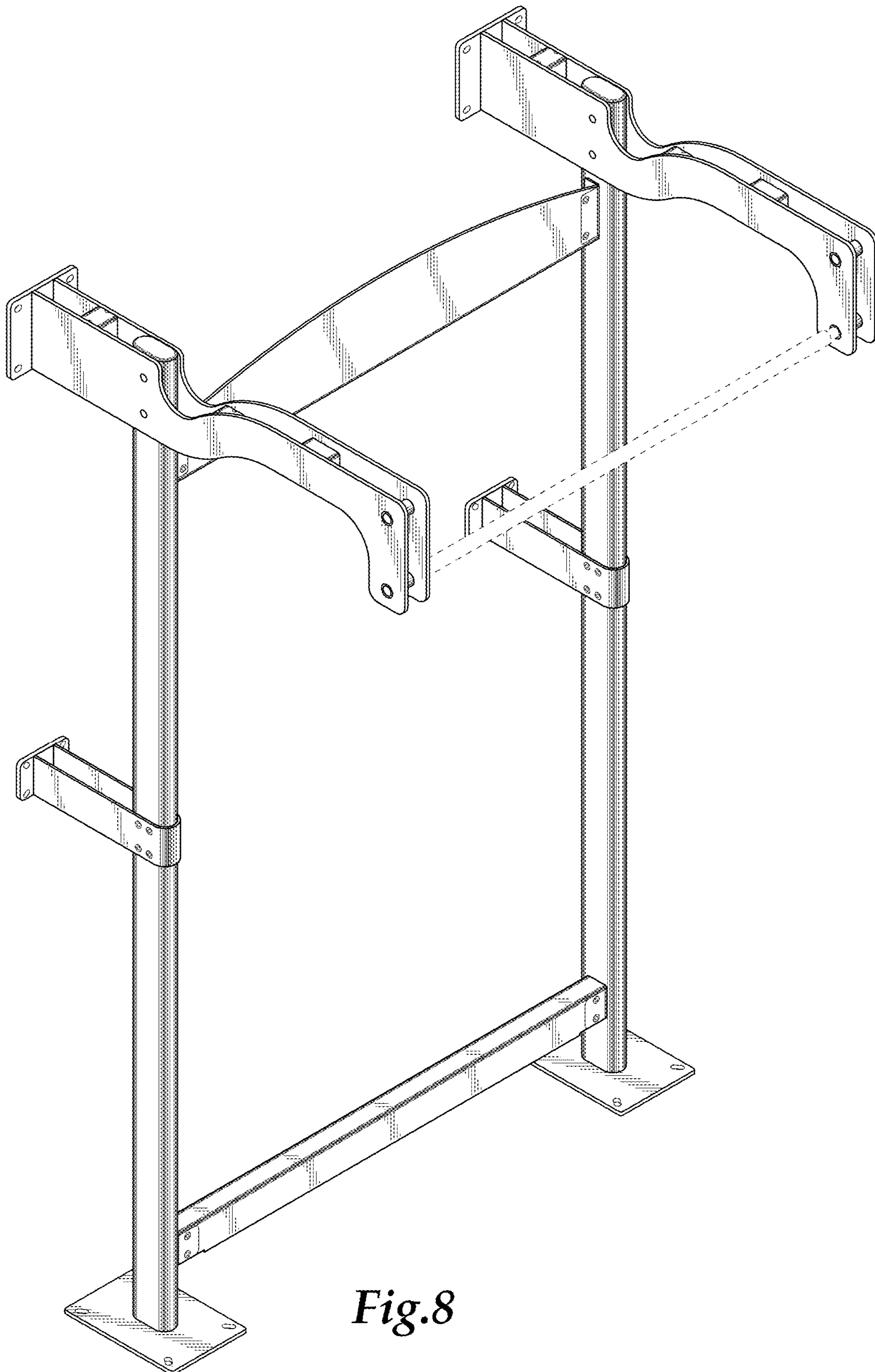


*Fig.5*



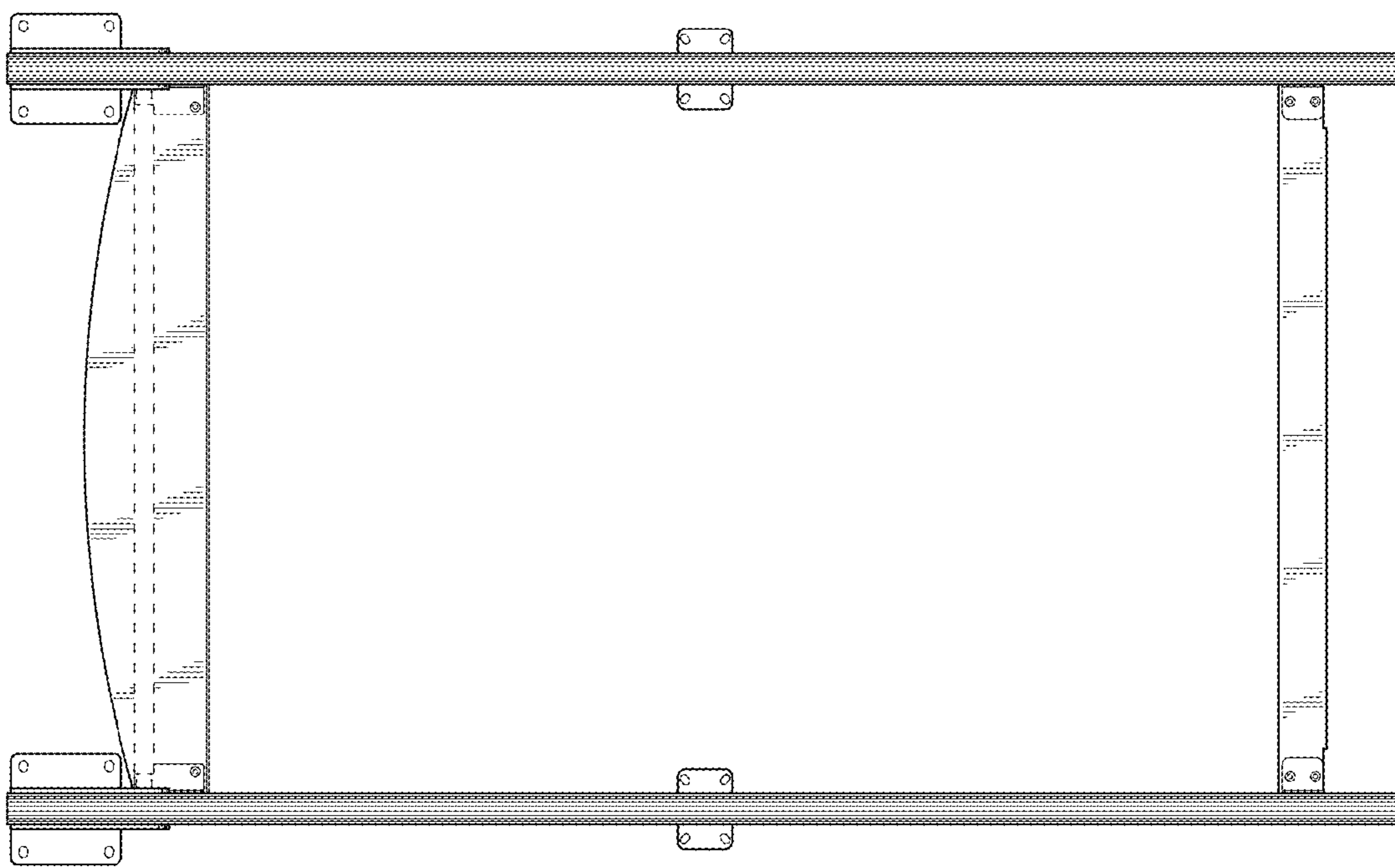
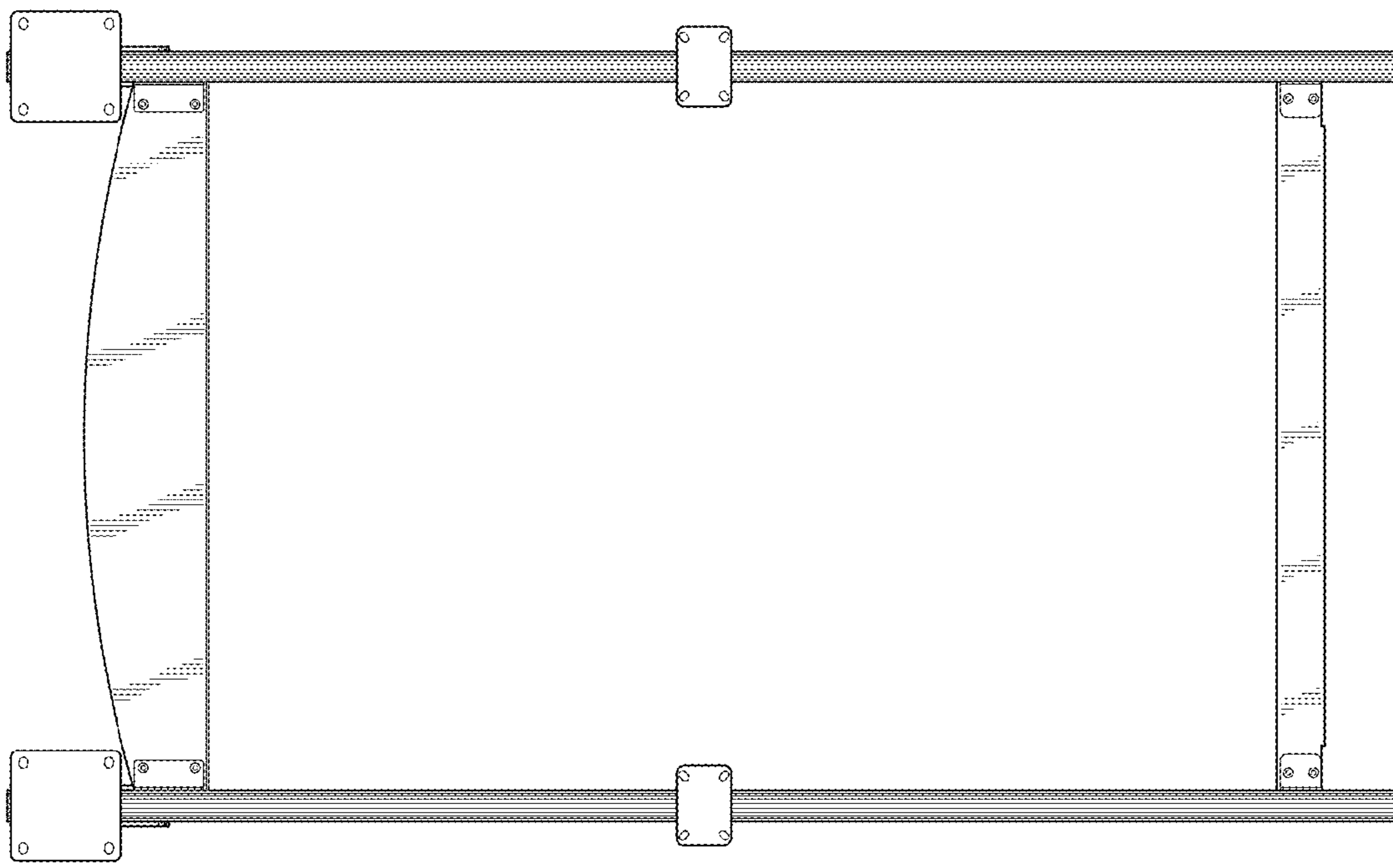
*Fig.4*





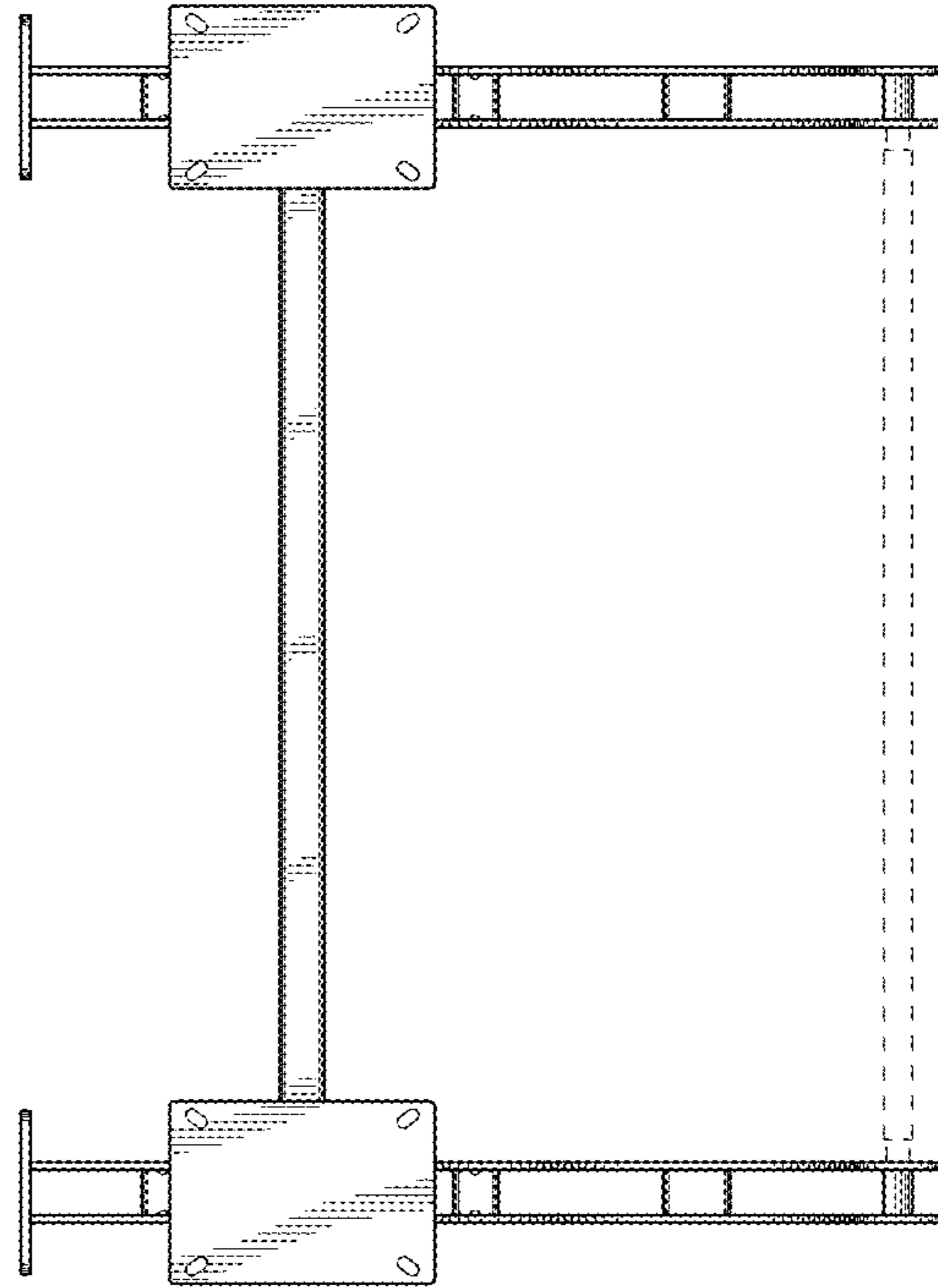
*Fig. 8*

*Fig.10*

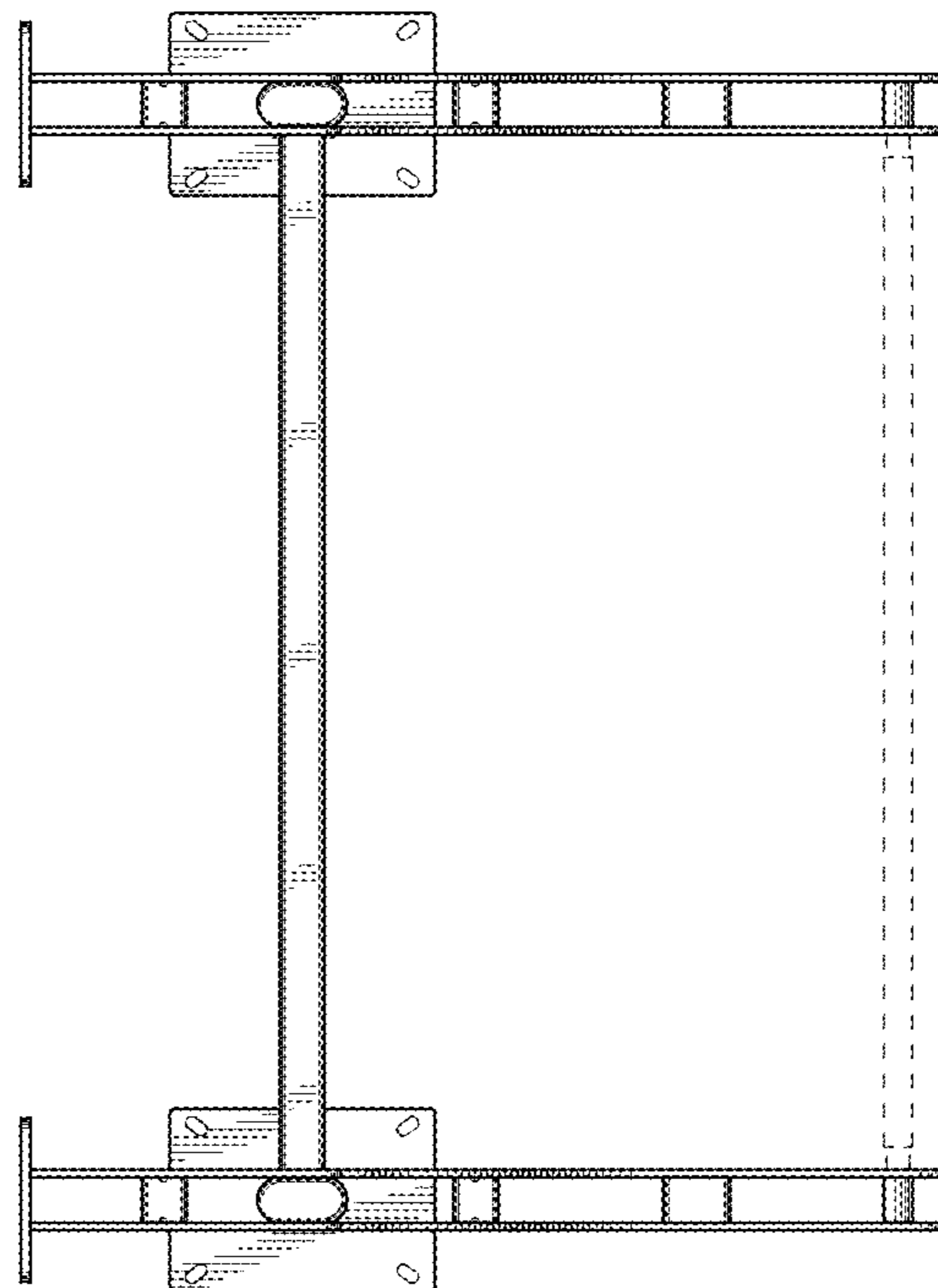


*Fig.9*

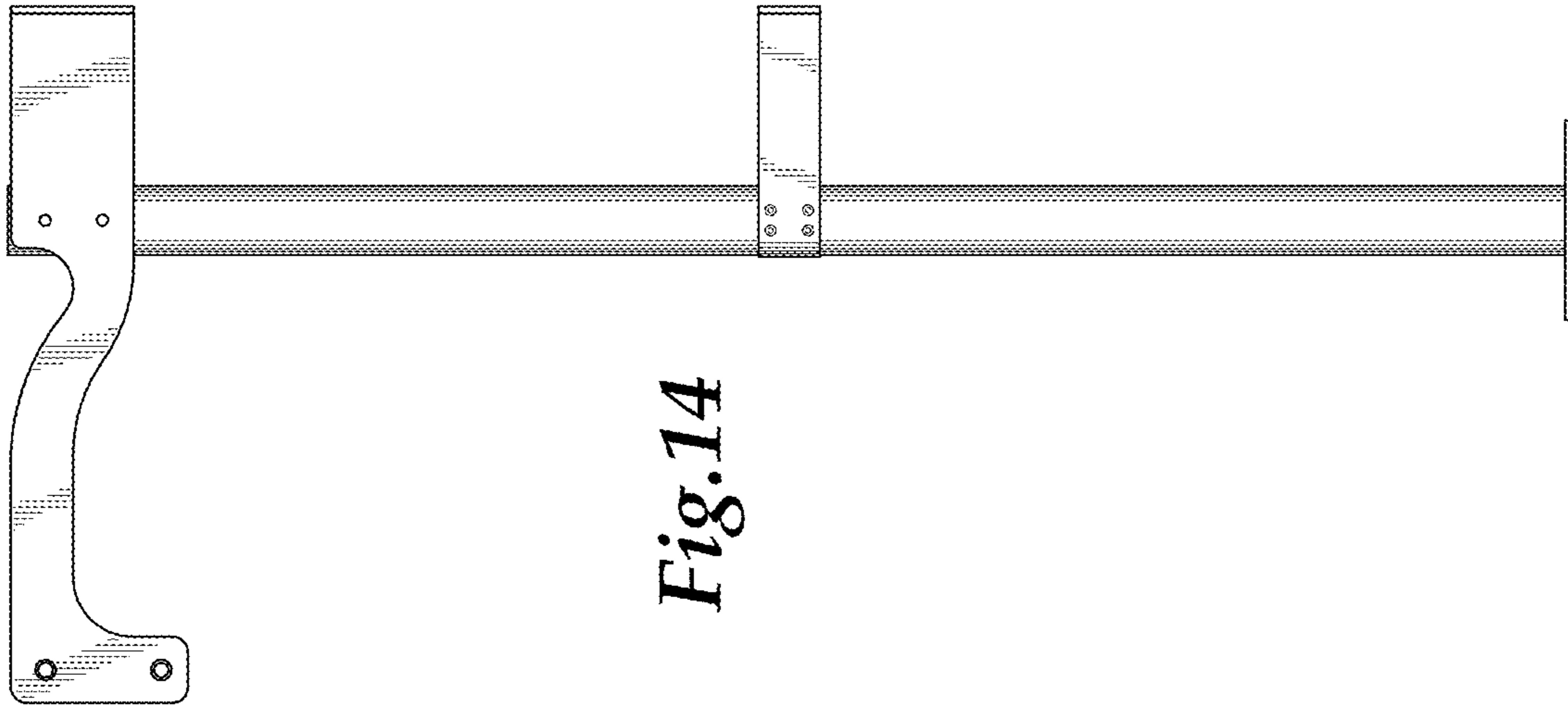




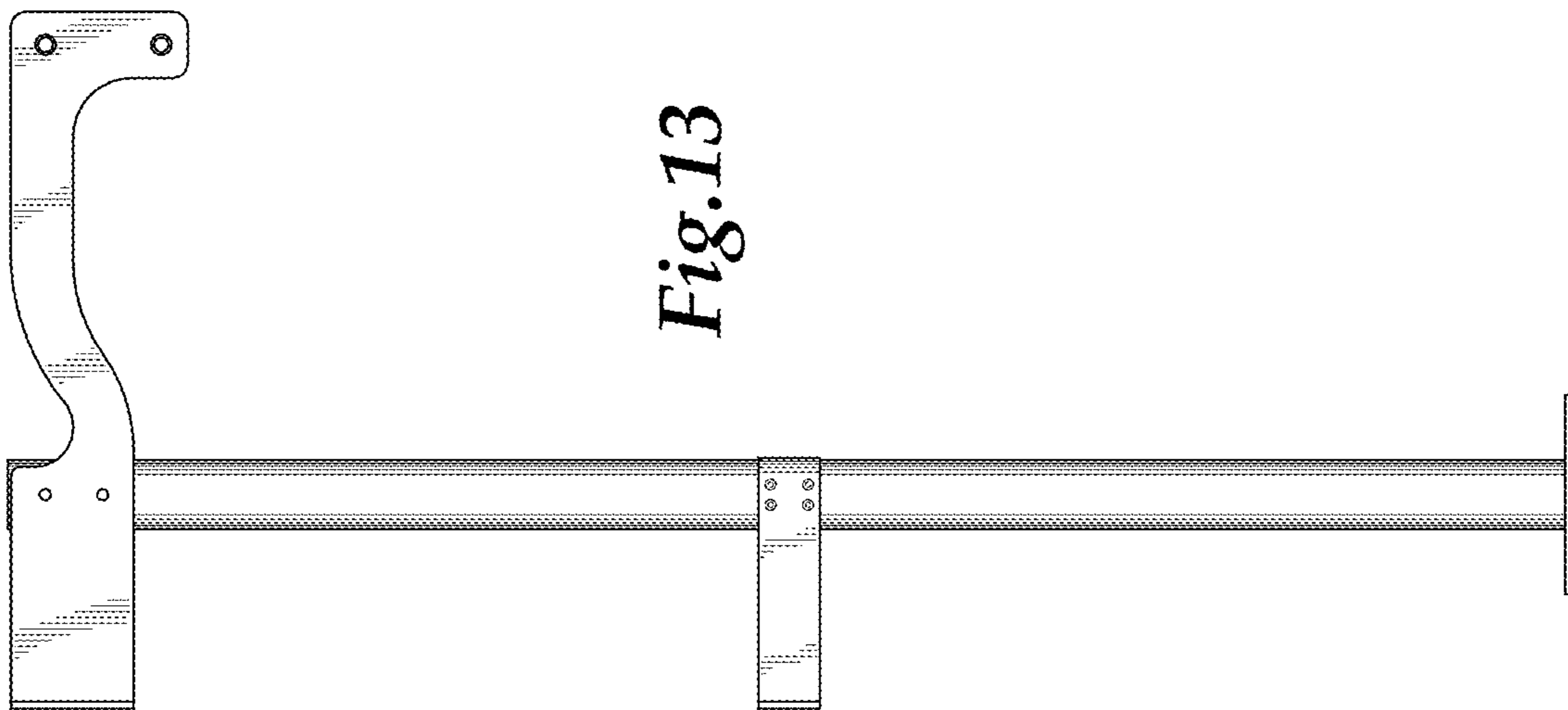
*Fig.12*



*Fig.11*



*Fig. 14*



*Fig. 13*