



US00D903011S

(12) **United States Design Patent** (10) **Patent No.:** **US D903,011 S**
Lee (45) **Date of Patent:** **** Nov. 24, 2020**

(54) **TOY ROBOTIC ARM**
(71) Applicant: **Wen Hsien Lee**, New Taipei (TW)
(72) Inventor: **Wen Hsien Lee**, New Taipei (TW)
(**) Term: **15 Years**
(21) Appl. No.: **29/707,317**
(22) Filed: **Sep. 27, 2019**
(51) **LOC (12) Cl.** **21-01**
(52) **U.S. Cl.**
USPC **D21/578**; D15/199
(58) **Field of Classification Search**
USPC D15/199; D21/578-583, 621, 622
CPC A63H 3/00; G06N 5/00
See application file for complete search history.

(56) **References Cited**
U.S. PATENT DOCUMENTS
D677,294 S * 3/2013 Long D15/199
D811,491 S * 2/2018 Lee D21/528
D837,294 S * 1/2019 Ciniello D19/59
D841,712 S * 2/2019 Hontani D15/199
D852,863 S * 7/2019 Dosho D15/199
D865,828 S * 11/2019 Bogart D15/199
D868,865 S * 12/2019 Bogart D15/199
D870,169 S * 12/2019 Dosho D15/199
D874,530 S * 2/2020 Haddadin D15/199
D877,787 S * 3/2020 Kinoshita D15/199

D878,443 S * 3/2020 Abe D15/199
D881,251 S * 4/2020 Abe D15/199
D882,655 S * 4/2020 Kouthoofd D15/199
D883,352 S * 5/2020 Abe D15/199
D885,452 S * 5/2020 Haddadin D15/199

* cited by examiner

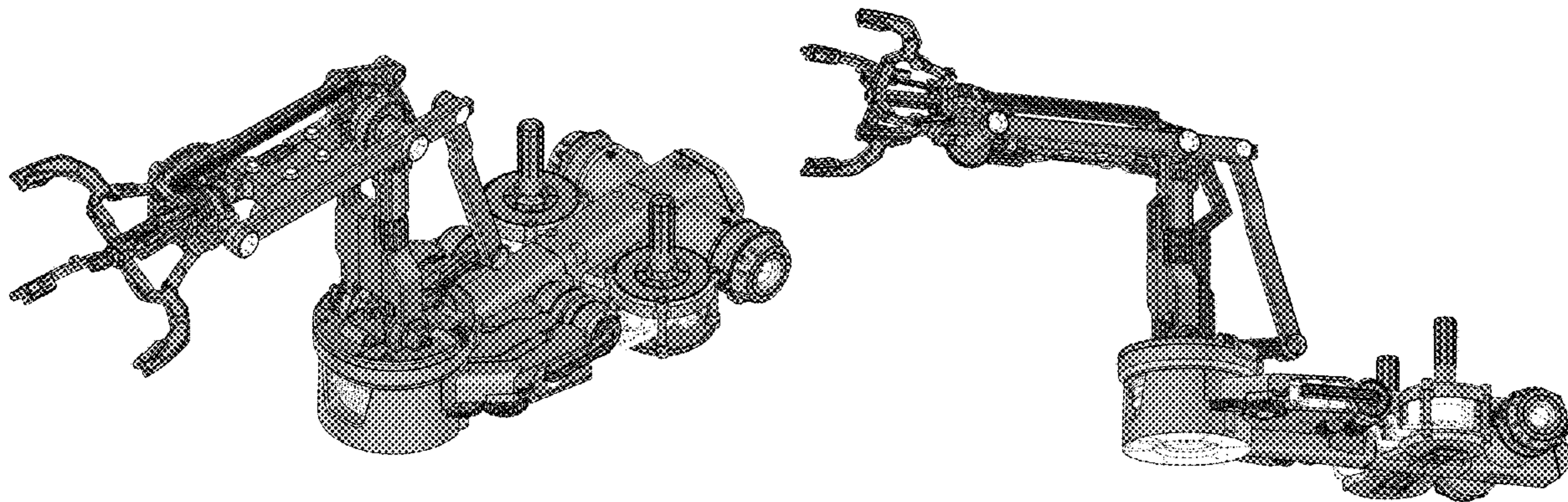
Primary Examiner — Michael C Stout
Assistant Examiner — Melvin L Davis
(74) *Attorney, Agent, or Firm* — WPAT, PC

(57) **CLAIM**
The ornamental design for a toy robotic arm, as shown and described.

DESCRIPTION

FIG. 1 is a perspective view of a toy robotic arm showing my new design;
FIG. 2 is another perspective view thereof;
FIG. 3 is still another perspective view thereof;
FIG. 4 is the other perspective view thereof;
FIG. 5 is a front view thereof;
FIG. 6 is a rear view thereof;
FIG. 7 is a left side view thereof;
FIG. 8 is a right side view thereof;
FIG. 9 is a top view thereof; and,
FIG. 10 is a bottom view thereof.
The broken line showing of the toy robotic arm is for the purpose of illustrating portions of the article and forms no part of the claimed design.

1 Claim, 10 Drawing Sheets



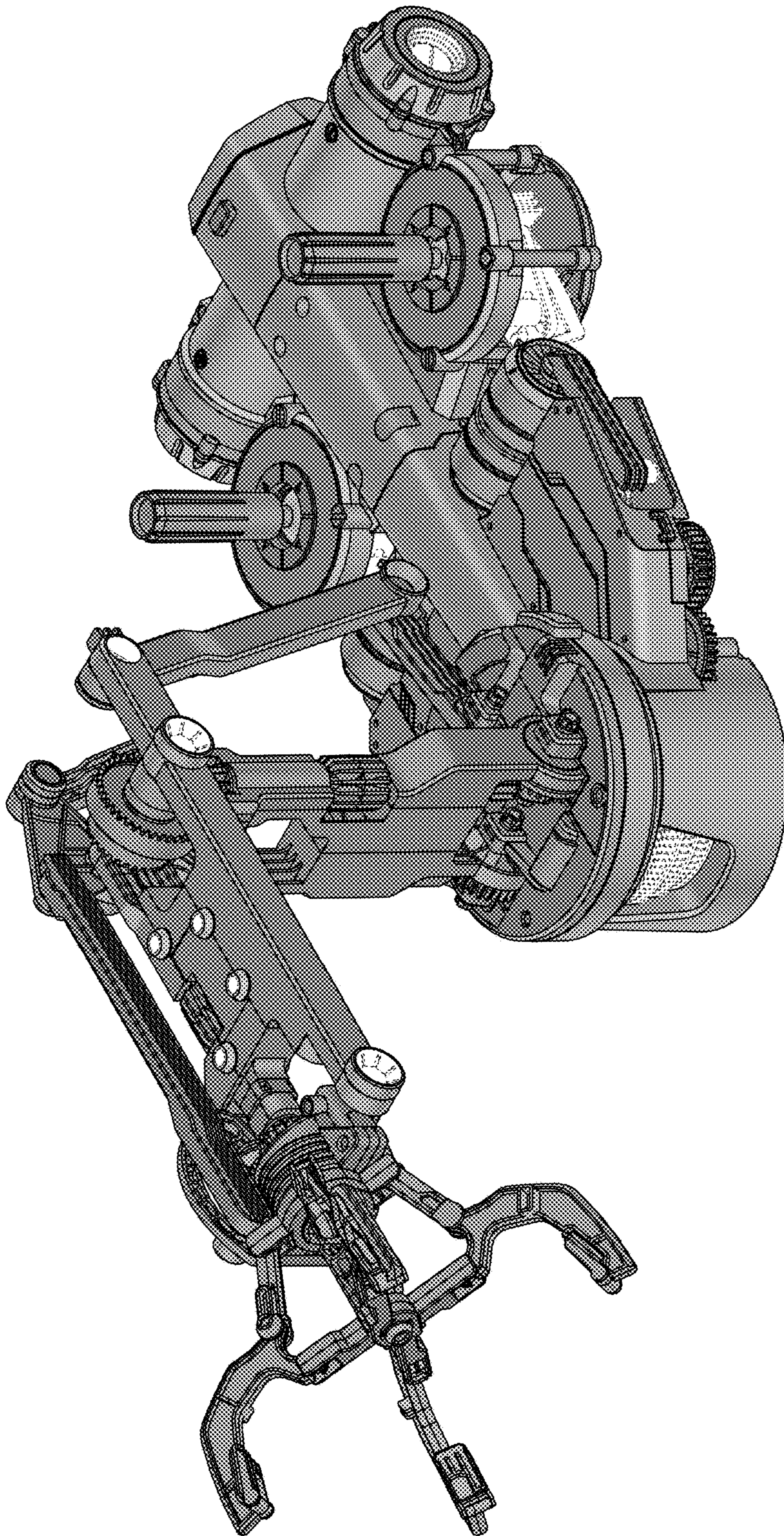


FIG.1

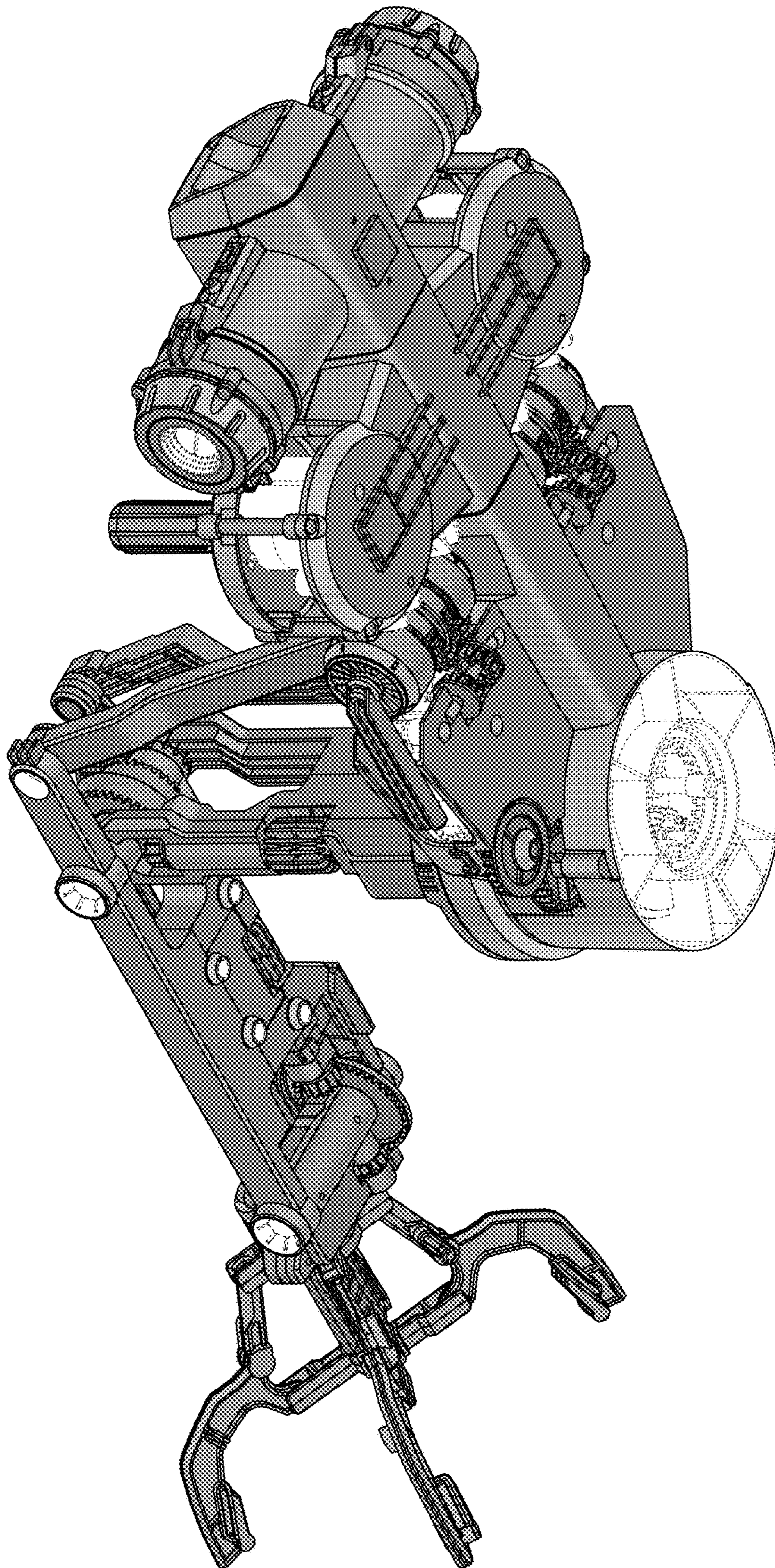


FIG.2

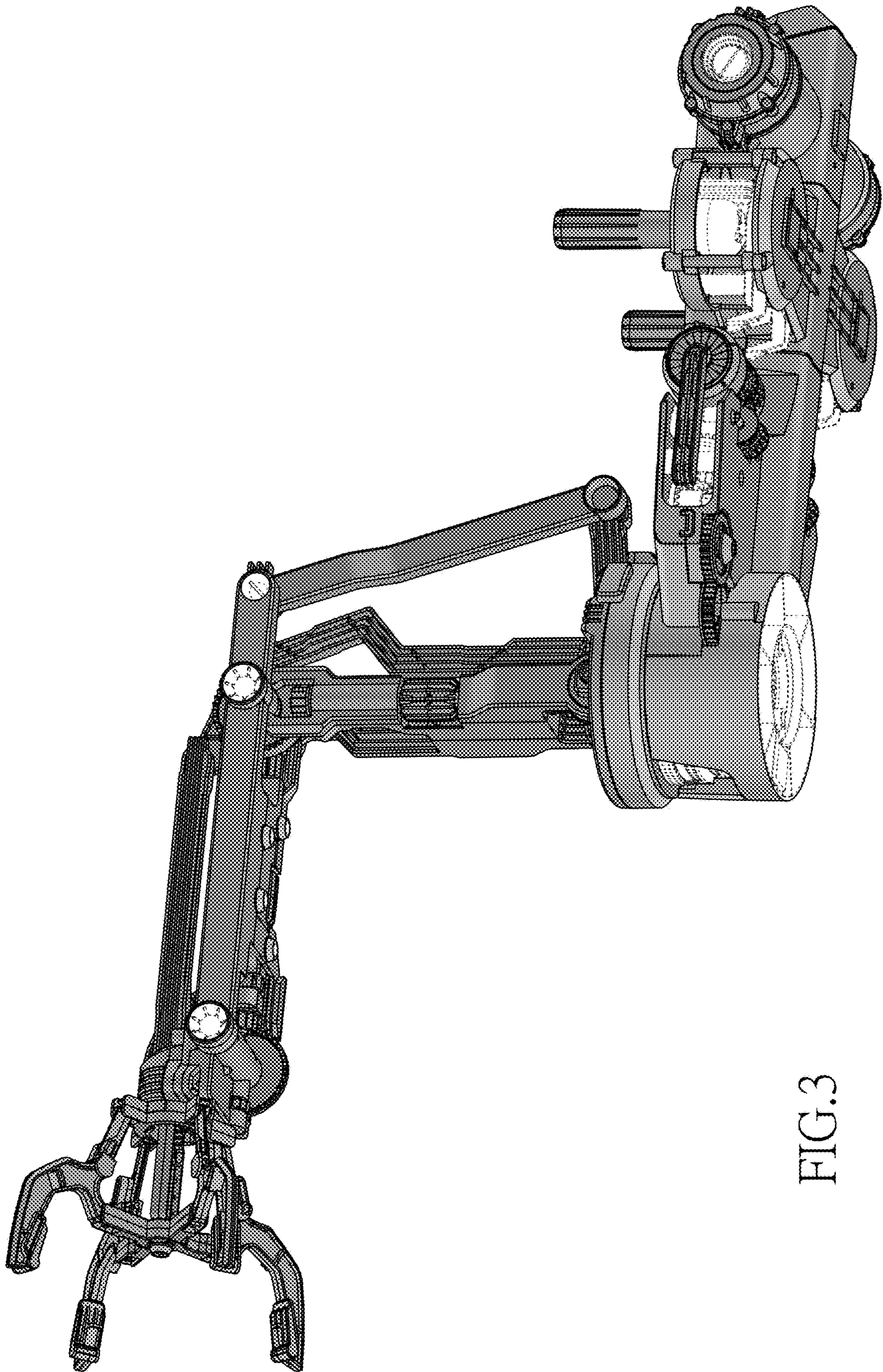


FIG.3

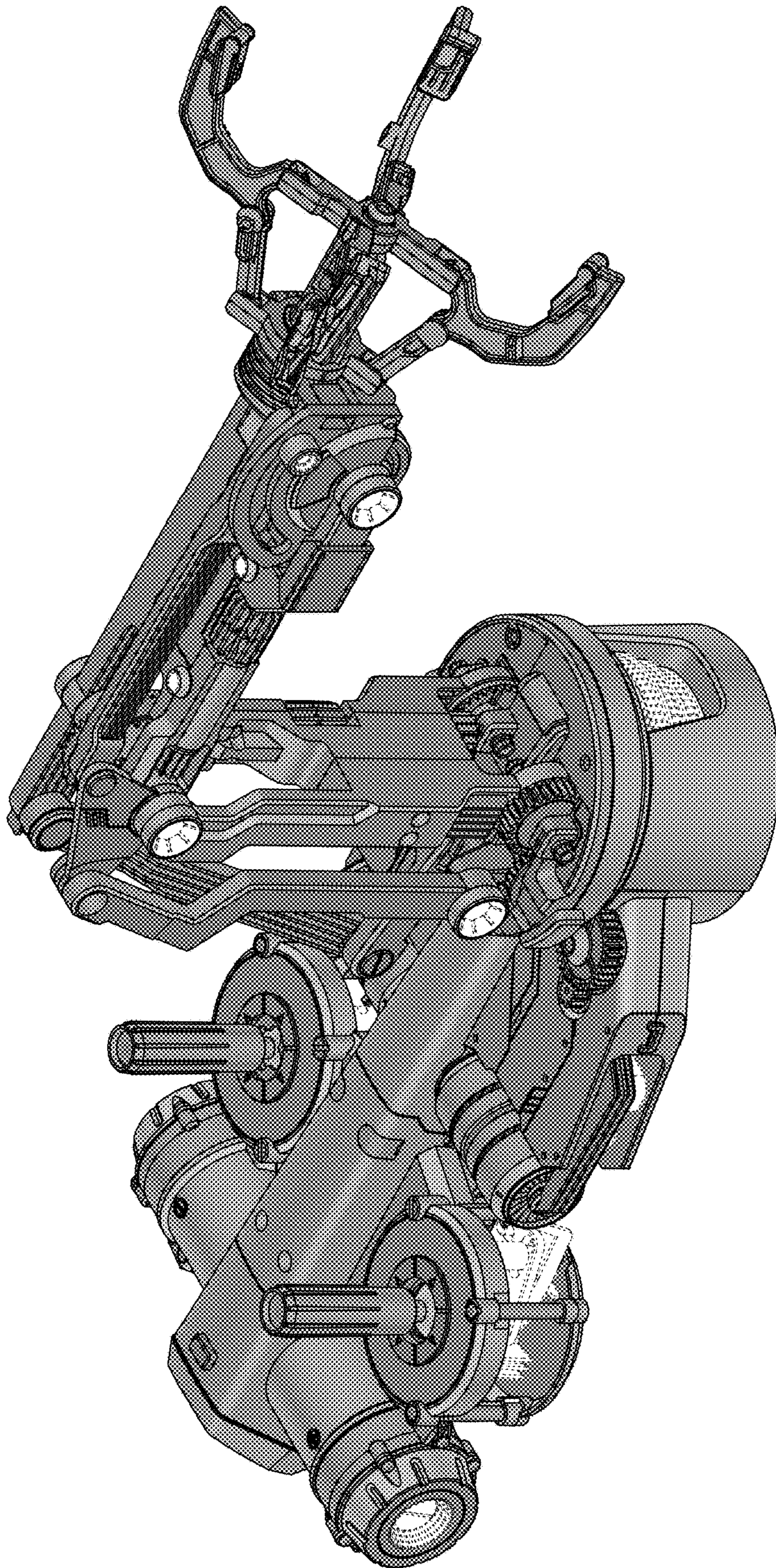


FIG.4

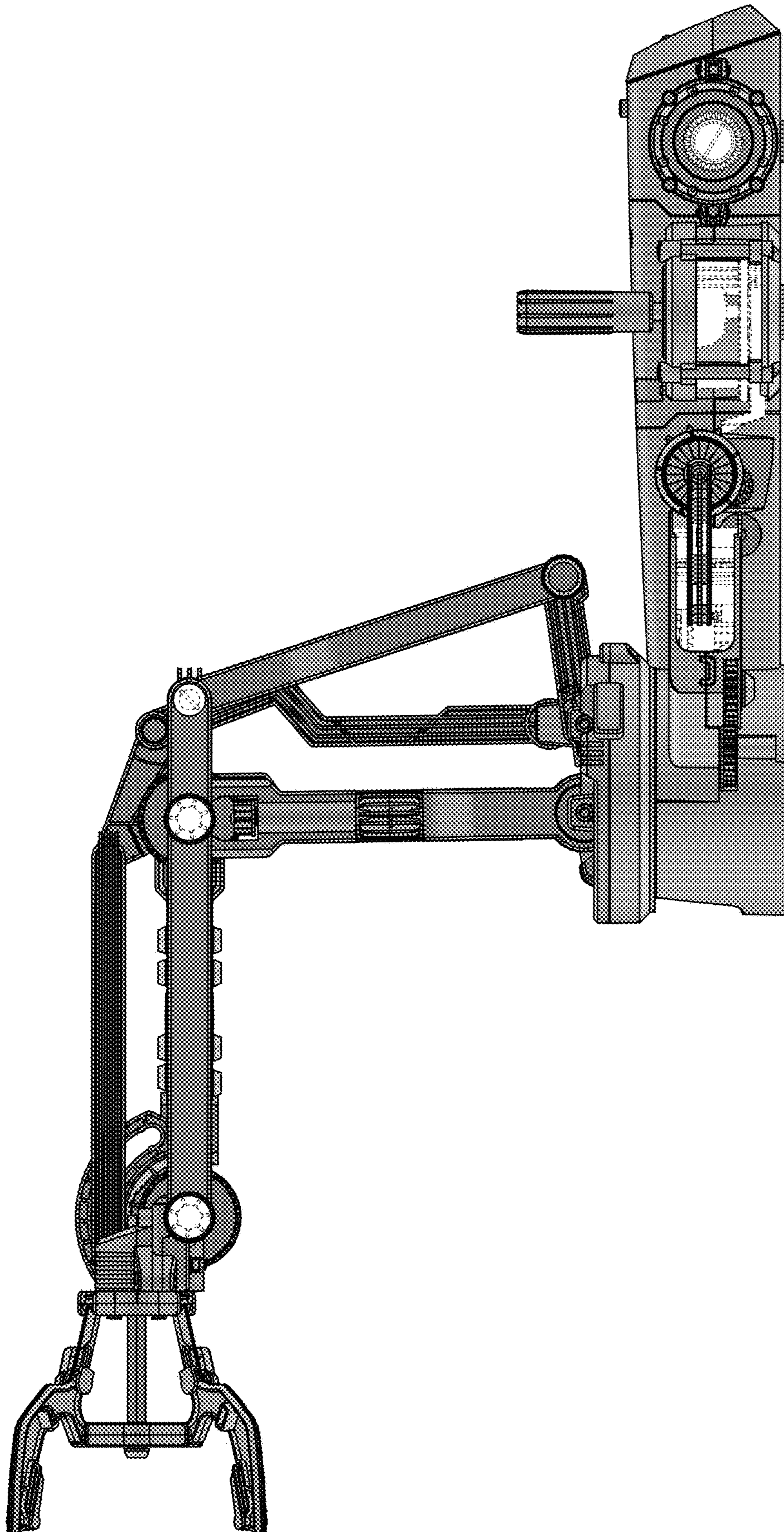


FIG.5

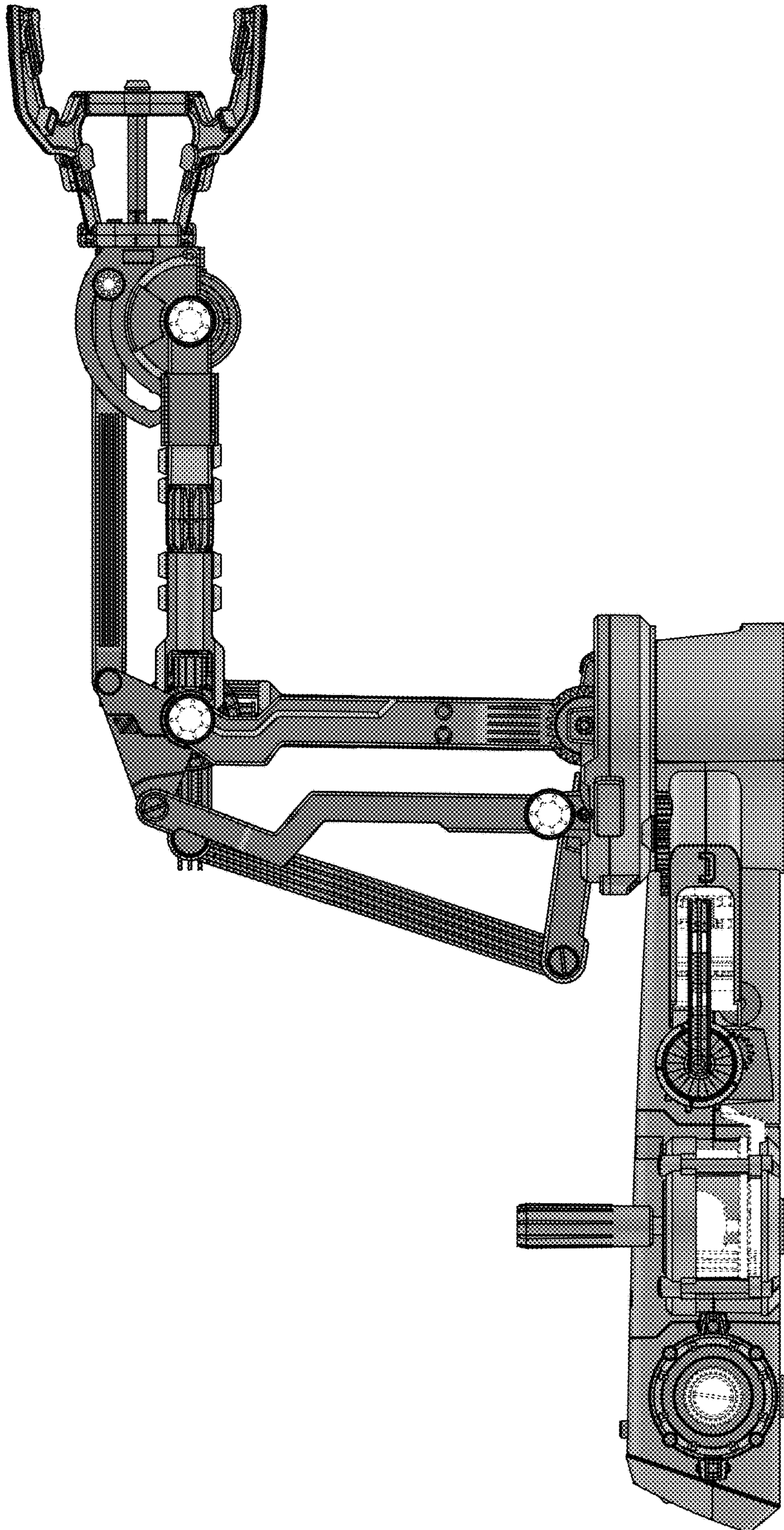


FIG.6

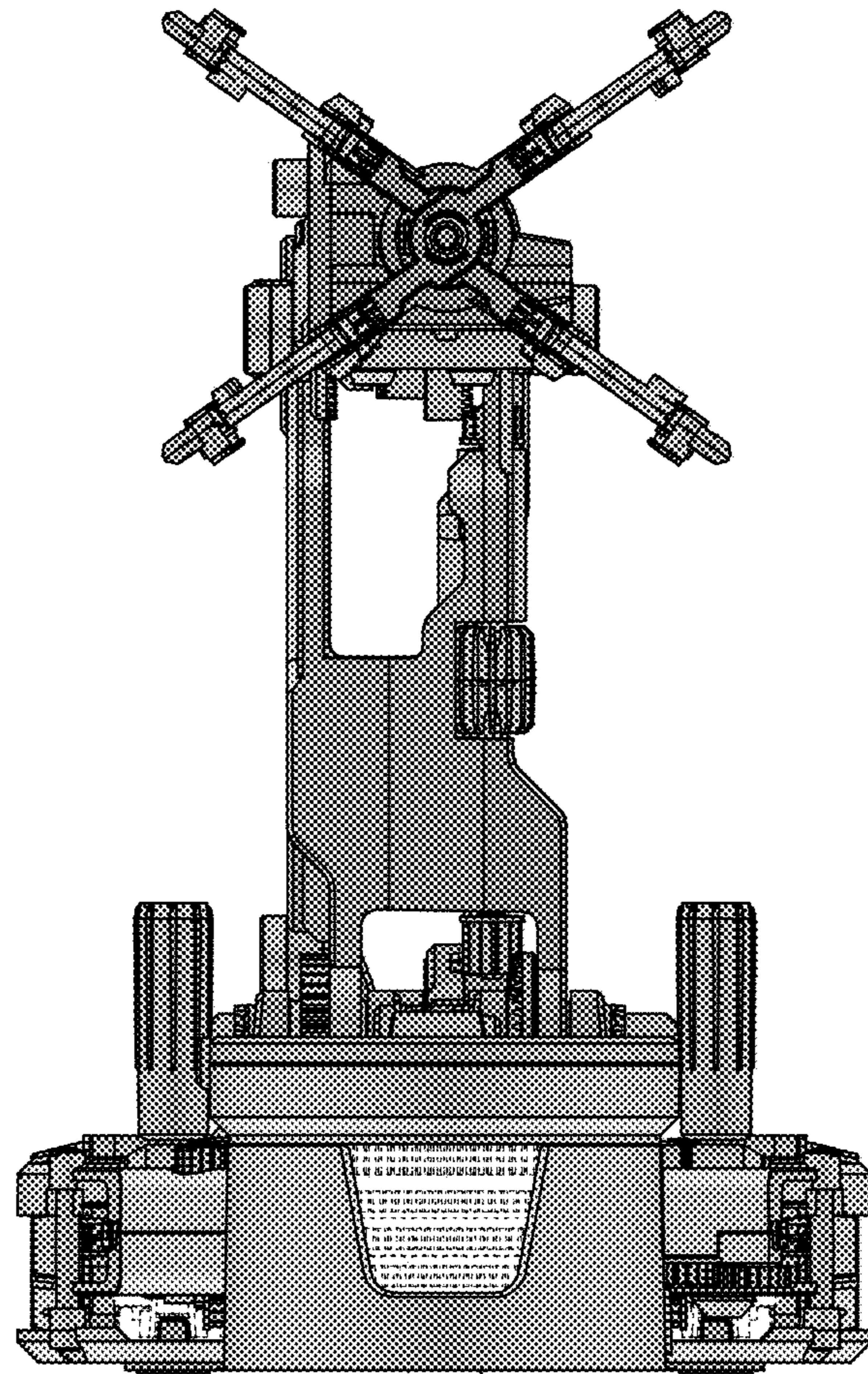


FIG.7

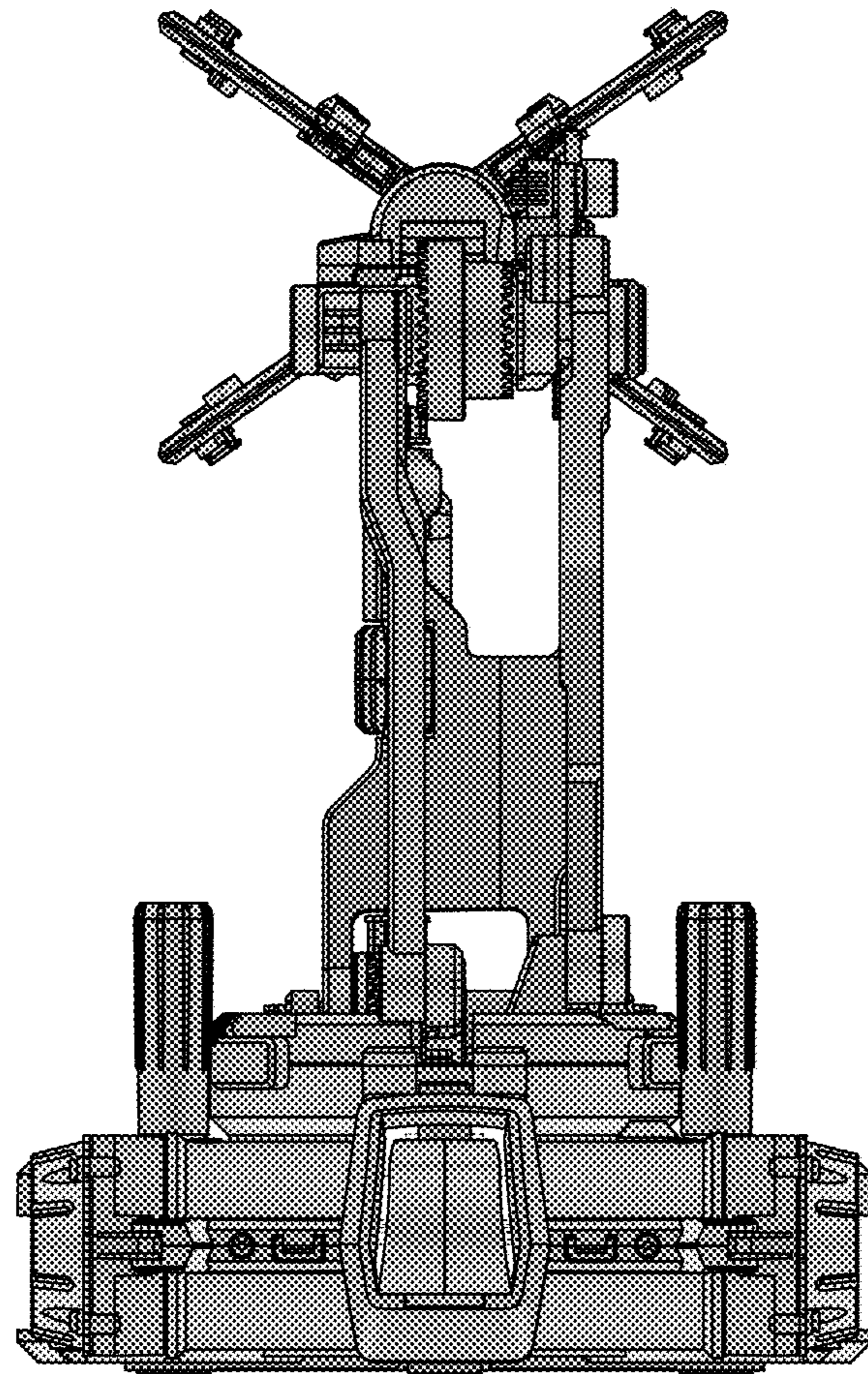


FIG.8

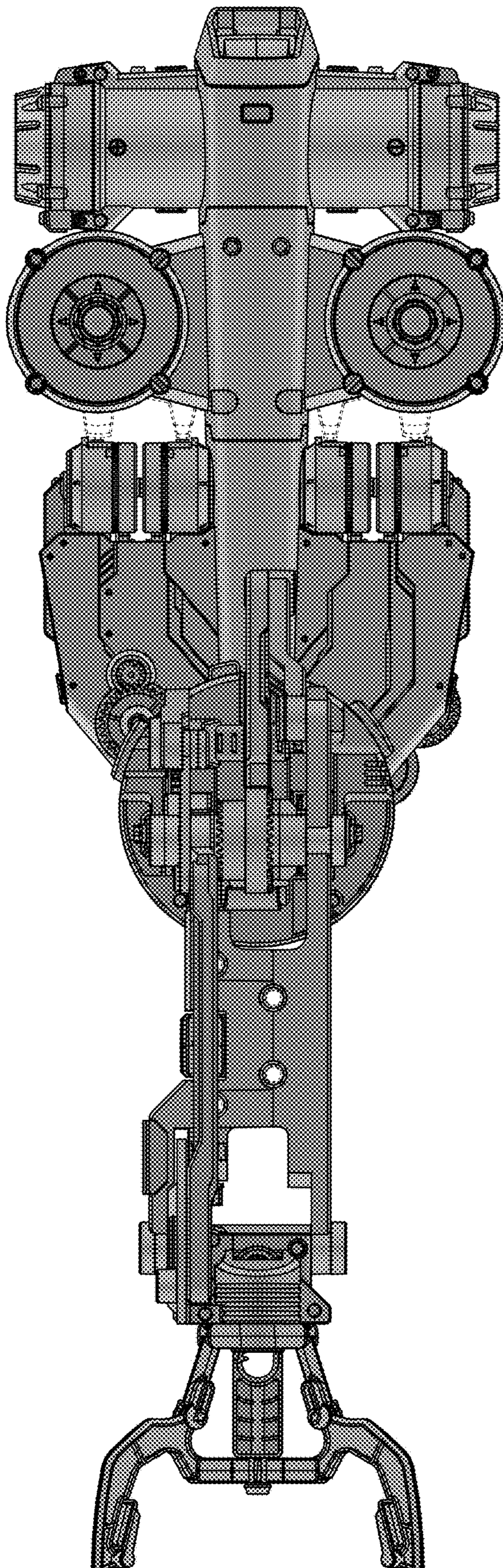


FIG.9

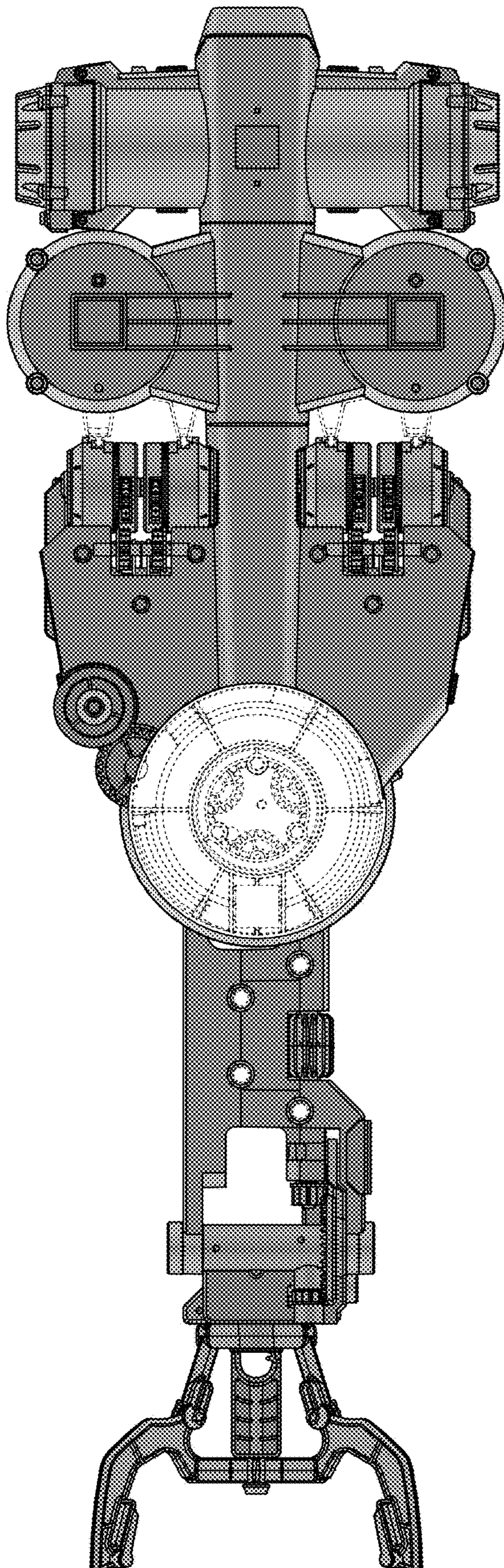


FIG.10