



US00D903009S

(12) **United States Design Patent** (10) **Patent No.:** **US D903,009 S**
Tearne et al. (45) **Date of Patent:** **** Nov. 24, 2020**

(54) **TOY MOTORCYCLE**
(71) Applicant: **SPIN MASTER LTD.**, Toronto (CA)
(72) Inventors: **Daryl R. Tearne**, Toronto (CA);
Robert M. O'Brien, Ajax (CA)

9,027,693 B2 5/2015 Muto et al.
D739,897 S 9/2015 Lee
D742,304 S 11/2015 Ito
D744,400 S 12/2015 Gan

(Continued)

FOREIGN PATENT DOCUMENTS

CN 2855792 Y 1/2007
CN 202448657 U 9/2012

(Continued)

(73) Assignee: **SPIN MASTER LTD.**, Toronto (CA)
(**) Term: **15 Years**

(21) Appl. No.: **29/672,101**

OTHER PUBLICATIONS

(22) Filed: **Dec. 3, 2018**
(51) **LOC (12) Cl.** **21-01**
(52) **U.S. Cl.**
USPC **D21/538**
(58) **Field of Classification Search**
USPC D21/432, 538; D12/110, 114
CPC A63H 17/21; A63H 17/22; A63H 17/26;
A63H 17/262
See application file for complete search history.

U.S. Appl. No. 16/278,538, Non-Final Office Action, USPTO, dated Jan. 22, 2020.

(Continued)

Primary Examiner — Cynthia M. Chin
(74) *Attorney, Agent, or Firm* — Millman IP Inc.

(57) **CLAIM**

The ornamental design for a toy motorcycle, as shown and described.

(56) **References Cited**

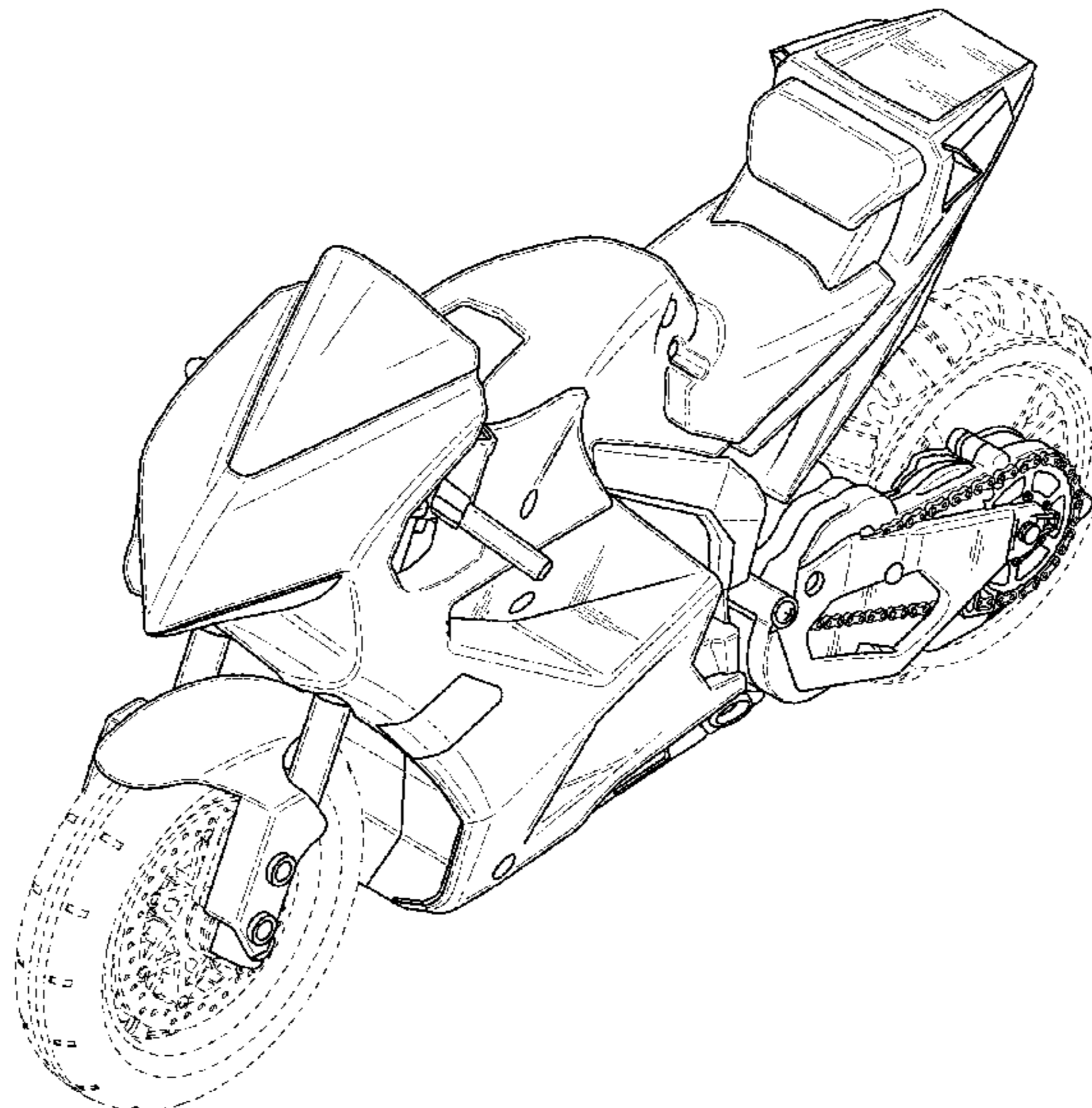
DESCRIPTION

U.S. PATENT DOCUMENTS

D160,372 S	10/1950	Cormier	
D208,484 S	9/1967	Wetherell	
D221,013 S	6/1971	Golden	
4,201,011 A	5/1980	Cook	
D269,099 S	5/1983	Goldfarb	
D275,505 S	9/1984	Takasaka	
D280,752 S	9/1985	Dideriksen	
D284,018 S	5/1986	Lin	
D327,103 S	6/1992	Poulsen et al.	
D340,757 S *	10/1993	Chen	D12/110
D346,414 S	4/1994	Wong	
D412,020 S	7/1999	McCormick	
D476,381 S	6/2003	Mukaida	
D559,332 S	1/2008	Kang	
D689,405 S *	9/2013	Tsukui	D12/110
D690,623 S *	10/2013	Tsukui	D12/110
D694,673 S *	12/2013	Katagiri	D12/110
D713,475 S *	9/2014	Hui	D21/432

FIG. 1 is a perspective view from above, to the front and to one side of the new design for a toy motorcycle;
FIG. 2 is a perspective view from below, to the rear and to one side thereof;
FIG. 3 is a front view thereof;
FIG. 4 is a rear view thereof;
FIG. 5 is a right side view thereof;
FIG. 6 is a left side view thereof;
FIG. 7 is a top plan view thereof; and,
FIG. 8 is a bottom plan view thereof.
In the drawings, the broken lines are for the purpose of illustrating portions of the article that form no part of the claim.

1 Claim, 8 Drawing Sheets



(56)

References Cited

U.S. PATENT DOCUMENTS

D815,566 S * 4/2018 Oyanagi D12/110
D816,013 S 4/2018 Roziere
D820,732 S 6/2018 Francis
D845,217 S 4/2019 Oki
D845,219 S 4/2019 Schiavolin et al.
D858,648 S * 9/2019 Zhukov D21/432
D865,651 S 11/2019 Yamazoe
2009/0264046 A1 10/2009 Mayer
2010/0075572 A1 3/2010 Chen
2012/0009846 A1 1/2012 Miller
2015/0251563 A1 9/2015 Shirokura et al.

FOREIGN PATENT DOCUMENTS

CN 103079838 A 5/2013
CN 103079838 B 3/2016
EP 2664526 A1 11/2013
WO 2012/012215 A2 1/2012

OTHER PUBLICATIONS

CN 201810864078.6, First Office Action, Chinese National Intellectual Property Administration, dated May 6, 2020.

* cited by examiner

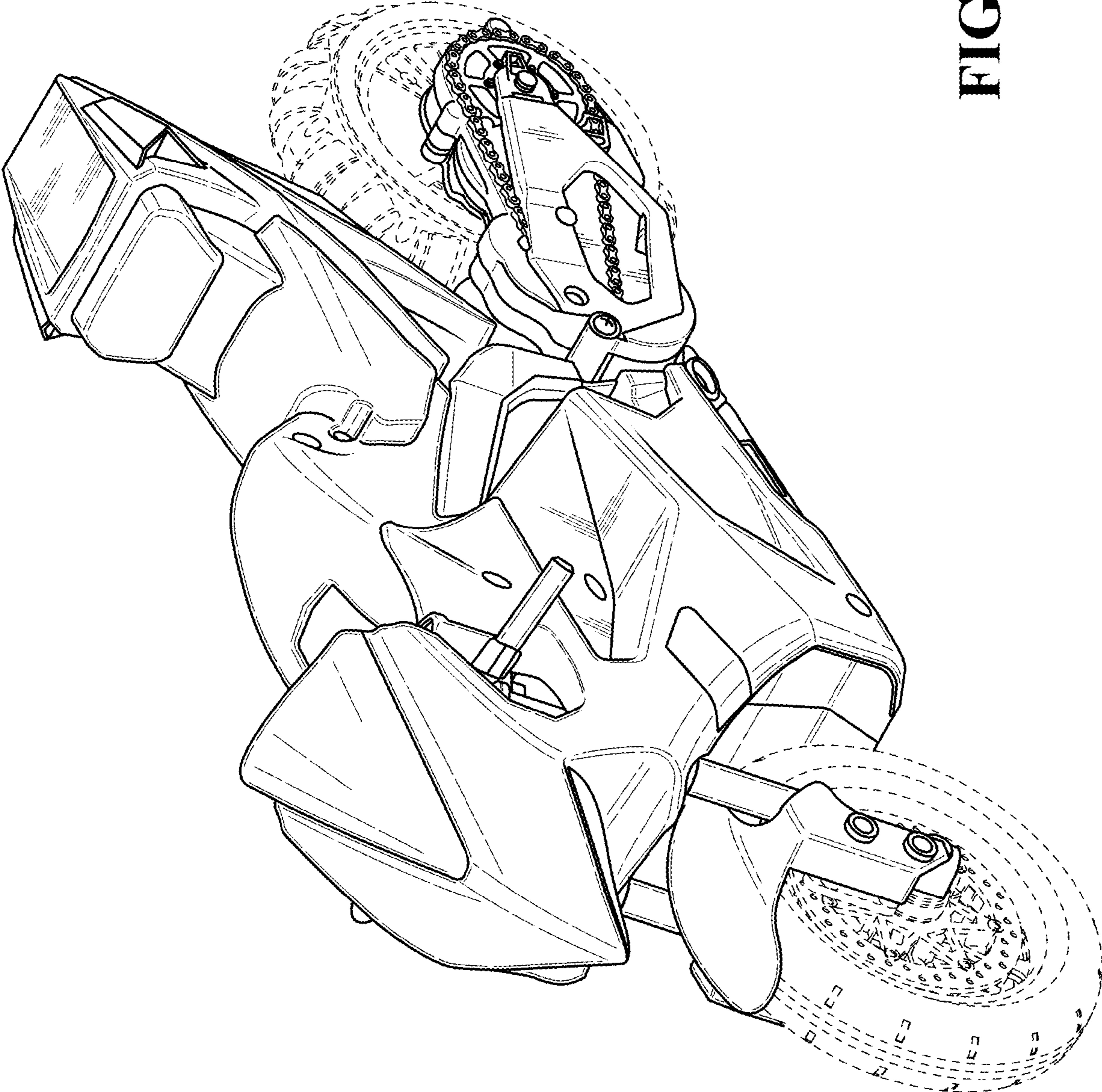


FIG. 1

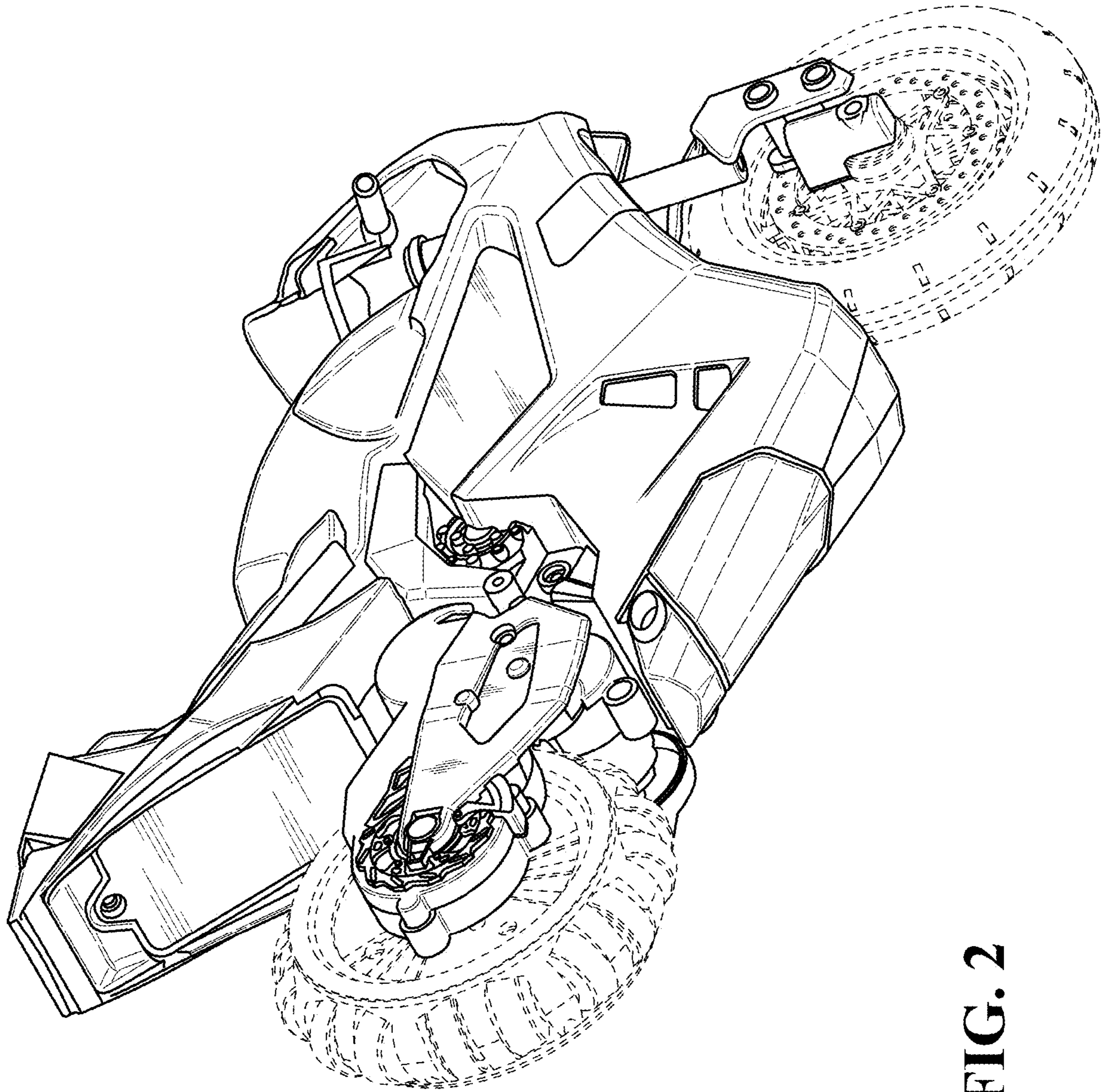


FIG. 2

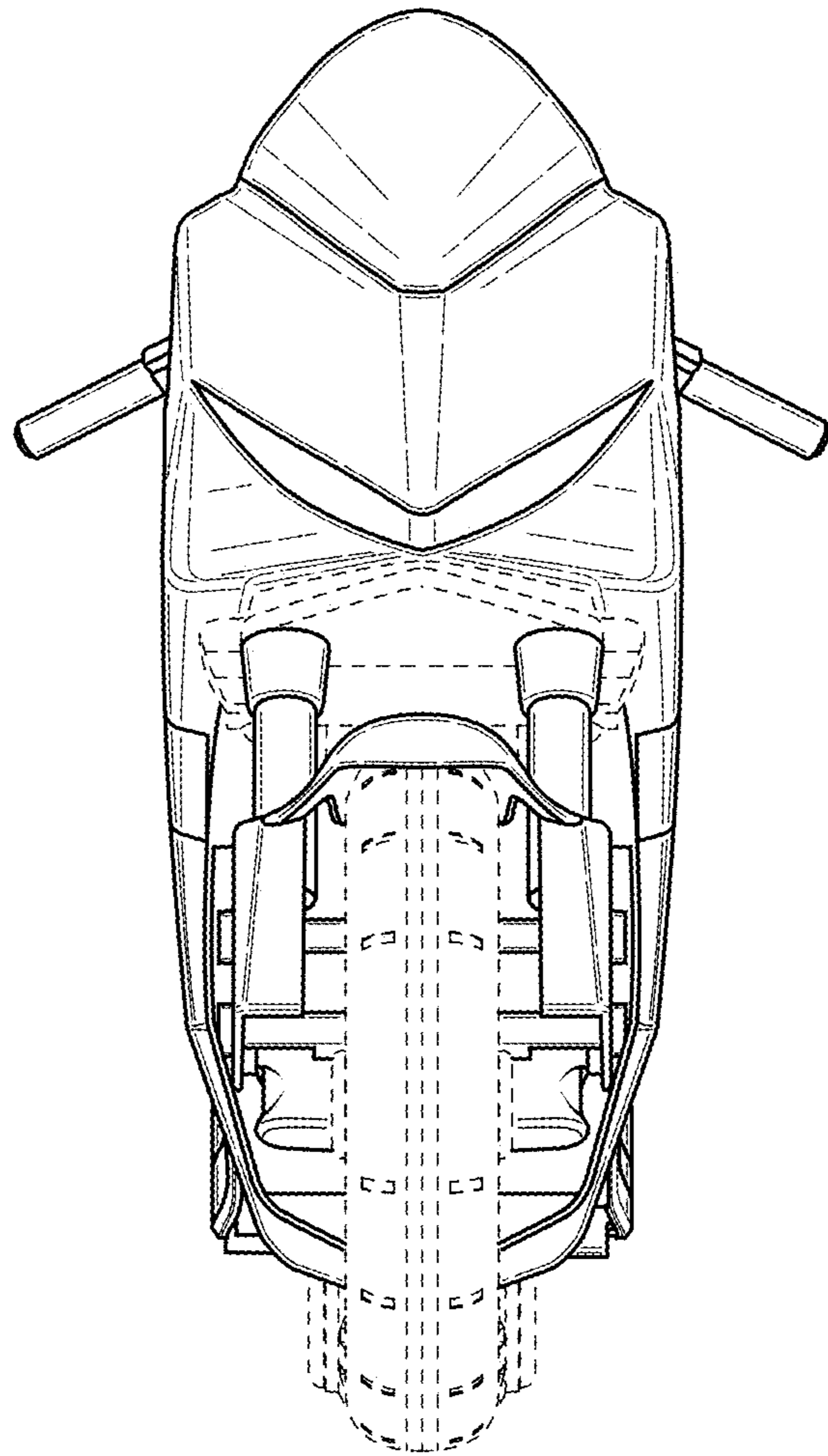


FIG. 3

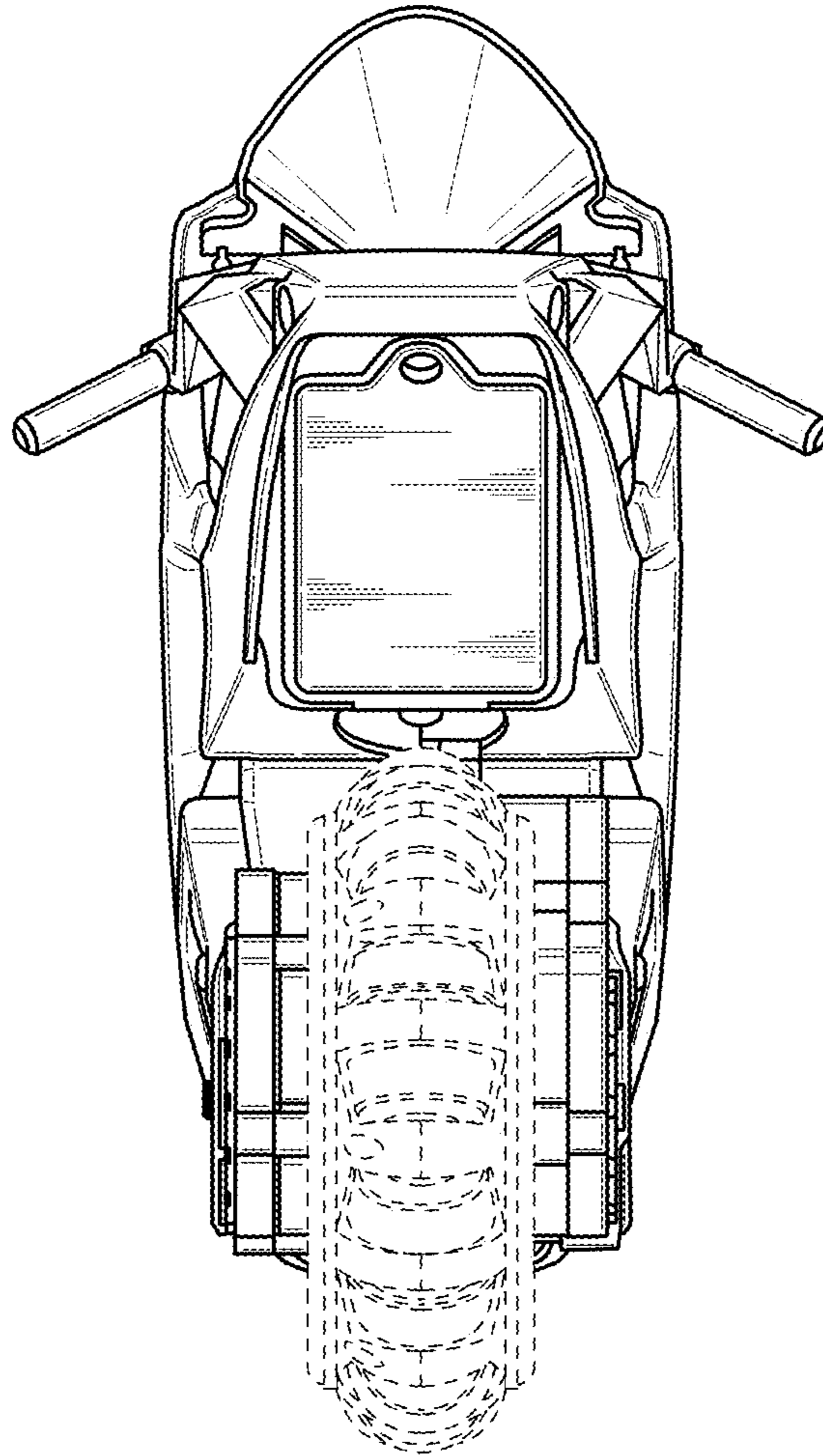


FIG. 4

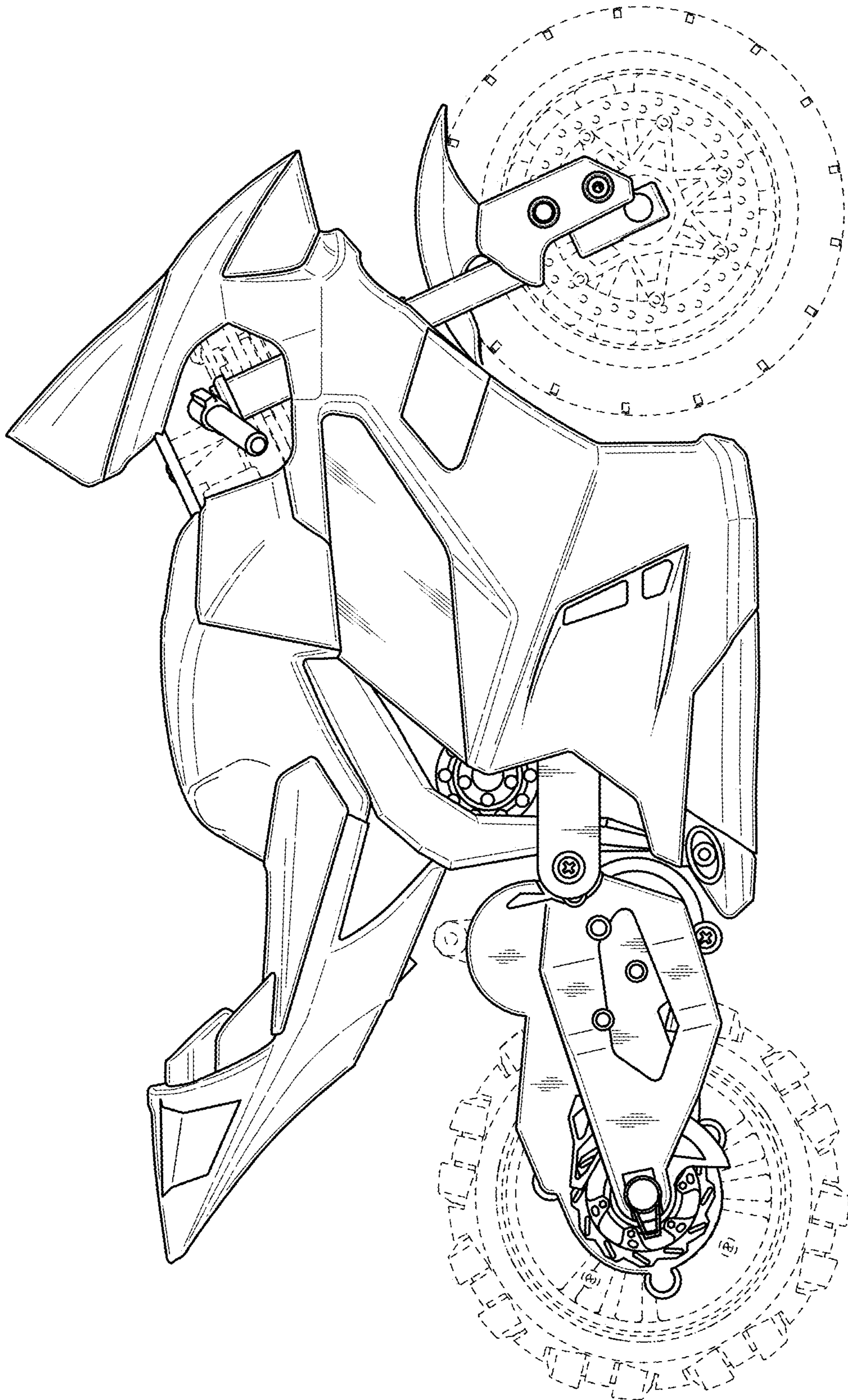


FIG. 5

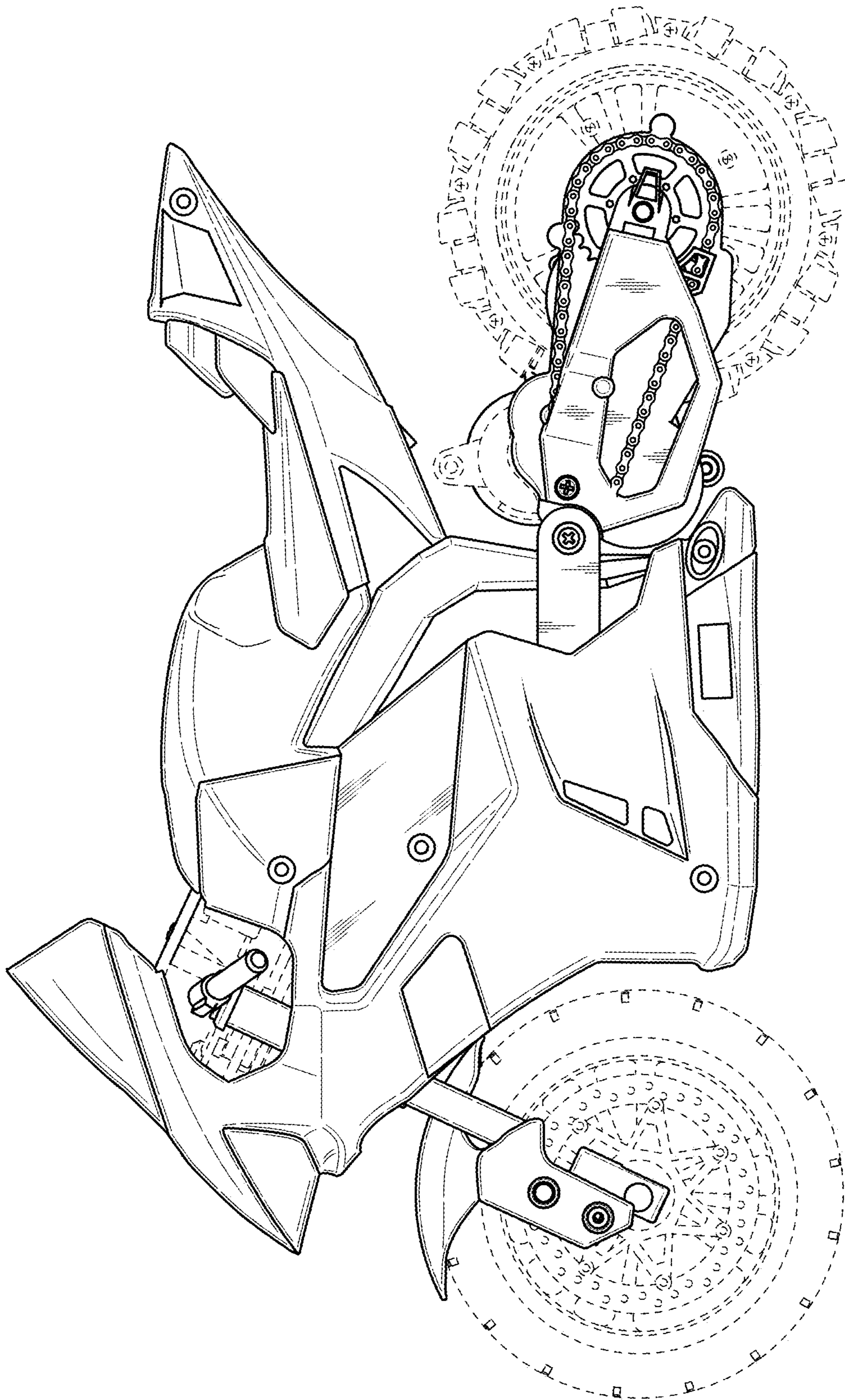


FIG. 6

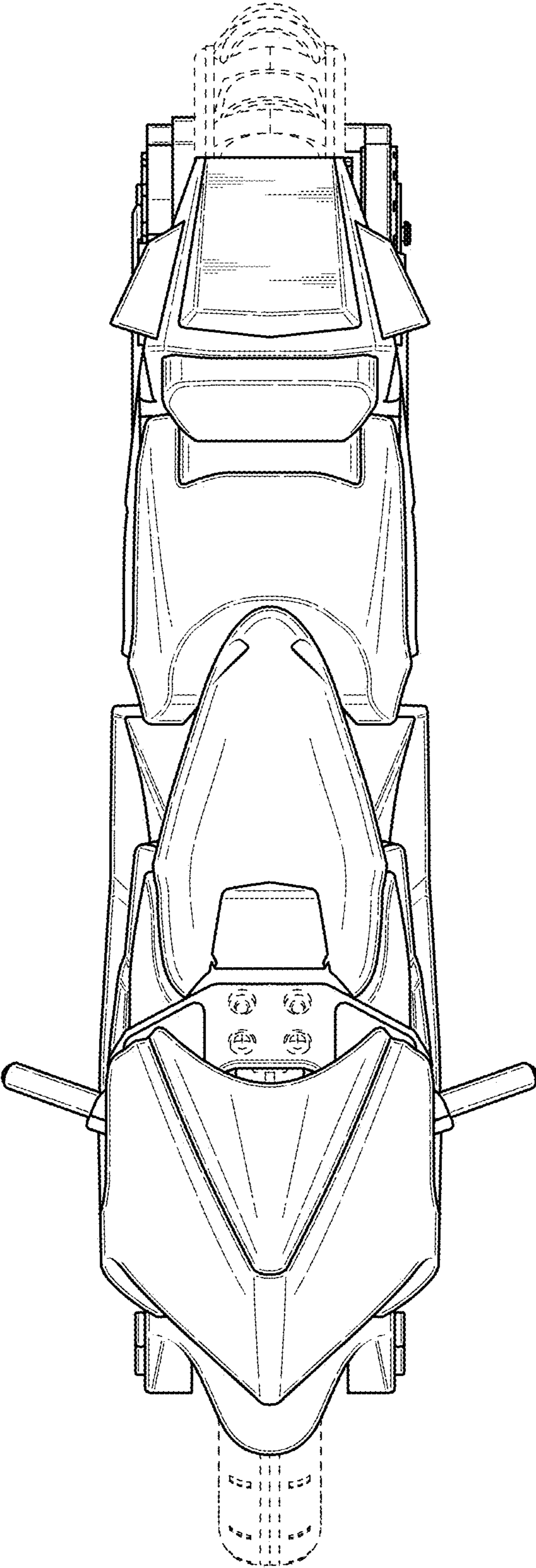


FIG. 7

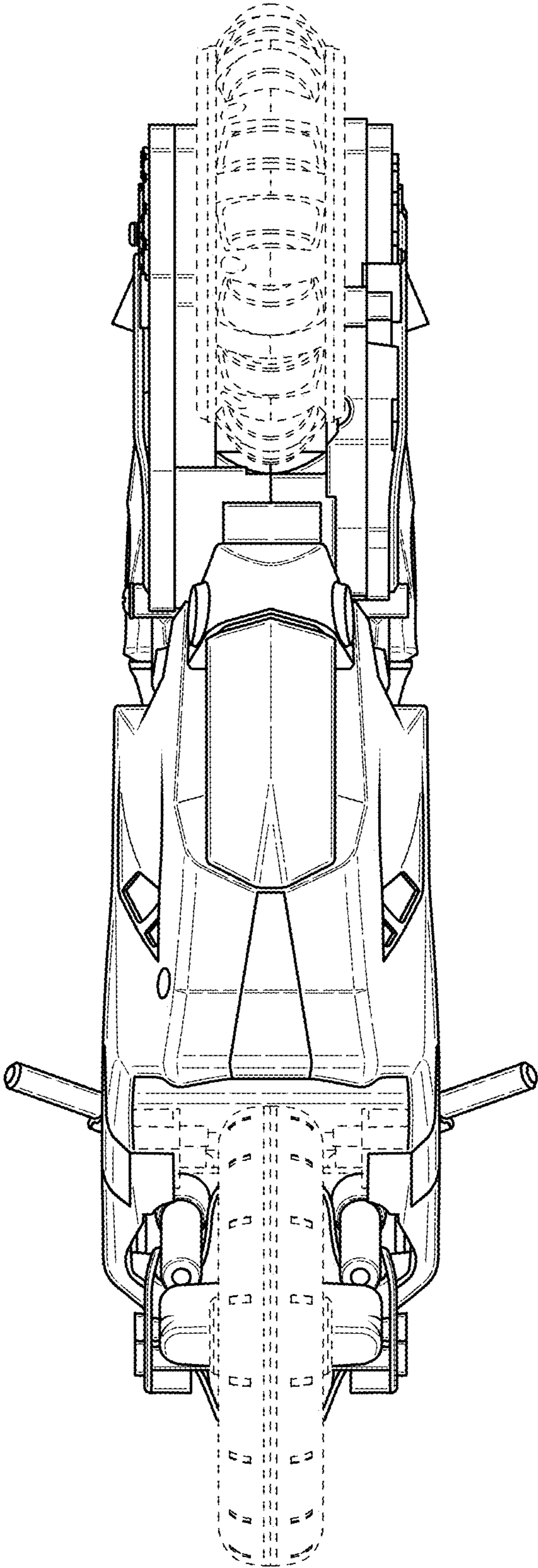


FIG. 8