



US00D903005S

(12) **United States Design Patent** (10) **Patent No.:** **US D903,005 S**
Ma (45) **Date of Patent:** **** Nov. 24, 2020**

- (54) **WATER ROCKET**
- (71) Applicant: **Beilei Ma**, Zhejiang (CN)
- (72) Inventor: **Beilei Ma**, Zhejiang (CN)
- (**) Term: **15 Years**
- (21) Appl. No.: **29/700,917**
- (22) Filed: **Aug. 7, 2019**
- (51) **LOC (12) Cl.** **21-07**
- (52) **U.S. Cl.**
USPC **D21/452**
- (58) **Field of Classification Search**
USPC D12/1-4, 16.1, 319-345; D21/301, 436,
D21/441, 442, 443, 444, 447, 448, 449,
D21/450, 451, 452, 453, 454, 455
CPC B64C 39/024; B64C 2201/108; B64C
2201/141; B64C 2201/024
See application file for complete search history.

- 3,103,886 A * 9/1963 Popenoe F42B 10/16
244/3.29
- 3,114,317 A * 12/1963 Estes F42B 8/24
102/348
- D203,722 S * 2/1966 Prewitt D12/327
- D216,319 S * 12/1969 Cohen D21/441
- D251,454 S * 3/1979 Takahashi D21/447
- D258,672 S * 3/1981 Butcher D21/452
- 4,271,629 A * 6/1981 Goodwin A63H 29/18
446/58
- D317,003 S * 5/1991 Tribe D12/16.1
- 5,141,175 A * 8/1992 Harris F42B 10/14
102/384
- 5,141,181 A * 8/1992 Leonard B64G 1/002
244/172.2

(Continued)

OTHER PUBLICATIONS

Watter Bottle Stomp Model Rocket. By Genovega. earliest review dated Oct. 7, 2019. found online [Jul. 19, 2020] [https:// www. amazon.com/Launcher-Outdoor-Science-Experiment-Teenagers/dp/B07XGG3675](https://www.amazon.com/Launcher-Outdoor-Science-Experiment-Teenagers/dp/B07XGG3675).*

Primary Examiner — Marissa J Cash

(56) **References Cited**

U.S. PATENT DOCUMENTS

- D171,293 S * 1/1954 Boyd D12/16.1
- D178,252 S * 7/1956 Lent D21/452
- D179,420 S * 12/1956 Kappus D12/326
- D180,889 S * 9/1957 Boyd D12/16.1
- D180,890 S * 9/1957 Boyd D12/16.1
- D181,599 S * 12/1957 Nelson D12/330
- 2,841,084 A * 7/1958 Carlisle F42B 4/12
102/348
- 2,859,003 A * 11/1958 Servanty B64C 29/0075
244/12.1
- D184,208 S * 1/1959 Bell D12/16.1
- D184,209 S * 1/1959 Bell D12/16.1
- D184,453 S * 2/1959 Levittown D21/447
- D186,635 S * 11/1959 Kartveli D12/343
- D190,498 S * 6/1961 Doonan D22/115
- D191,148 S * 8/1961 Sigford D12/16.1
- 3,029,704 A * 4/1962 Truax F41F 3/04
89/1.806
- 3,077,876 A * 2/1963 Richter F41B 11/89
124/65

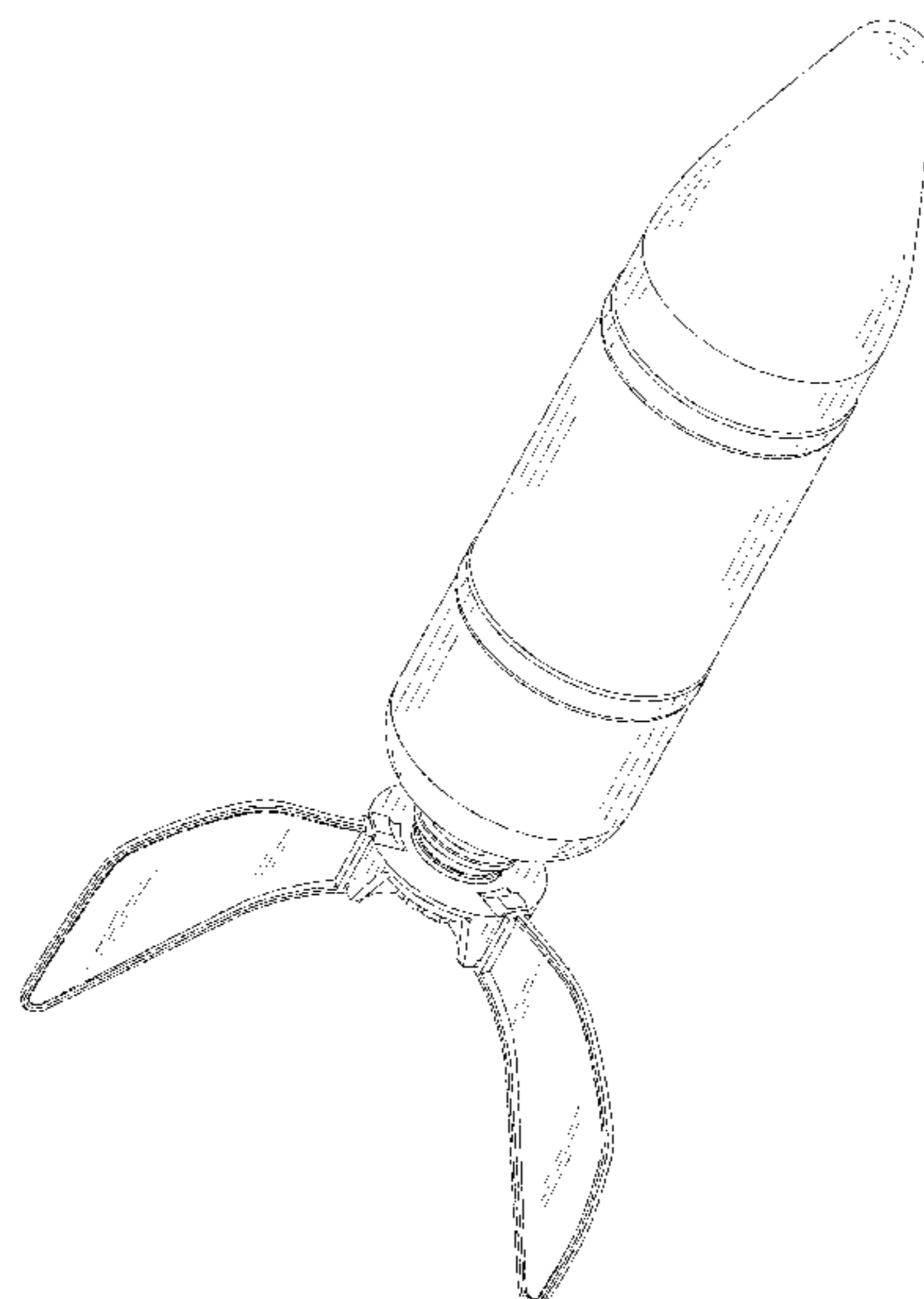
(57) **CLAIM**

The ornamental design for a water rocket, as shown and described.

DESCRIPTION

FIG. 1 is a front elevation view of a water rocket showing my new design;
FIG. 2 is a rear elevation view thereof;
FIG. 3 is a left side elevation view thereof;
FIG. 4 is a right side elevation view thereof;
FIG. 5 is a bottom plan view thereof;
FIG. 6 is a top plan view thereof;
FIG. 7 is a front and top perspective view thereof; and,
FIG. 8 is a bottom perspective view thereof.

1 Claim, 8 Drawing Sheets



(56)

References Cited

U.S. PATENT DOCUMENTS

5,150,861 A * 9/1992 Merkel B64C 5/06
244/3.27
5,289,994 A * 3/1994 Del Campo Aguilera
B64C 27/22
244/12.1
D346,844 S * 5/1994 D'Andrade D21/452
D347,865 S * 6/1994 Bertrand D21/452
5,322,243 A * 6/1994 Stoy B64C 5/10
244/3.24
D353,414 S * 12/1994 Crane D21/452
5,395,073 A * 3/1995 Rutan B64C 3/385
244/38
D375,271 S * 11/1996 Battah D10/104.1
D377,326 S * 1/1997 Grossman D12/16.1
D383,505 S * 9/1997 Wise D21/453
6,568,985 B1 * 5/2003 Binkley A63H 27/005
446/176
6,752,682 B1 * 6/2004 Ferrell A63H 27/005
124/16
D509,261 S * 9/2005 Tebbe D21/452
D543,593 S * 5/2007 Lapointe D21/452
D589,868 S * 4/2009 Matharan D12/343
7,601,046 B2 * 10/2009 Chang A63H 27/14
124/26
7,709,772 B1 * 5/2010 Patel F42B 3/006
244/3.25

D621,451 S * 8/2010 Wong D21/572
D625,679 S * 10/2010 Stinemetze D12/319
D627,010 S * 11/2010 Routzong D21/452
D679,339 S * 4/2013 Genovese D21/452
D679,340 S * 4/2013 Genovese D21/452
D692,504 S * 10/2013 Williams D21/387
D706,361 S * 6/2014 Giovannone, Sr. D21/452
8,955,800 B2 * 2/2015 McGeer B64F 1/02
244/110 E
9,004,402 B2 * 4/2015 McGeer B64F 5/00
244/110 C
D730,454 S * 5/2015 Frawley D21/441
D748,433 S * 2/2016 Kushner D7/515
D756,289 S * 5/2016 Lewis D12/323
D776,571 S * 1/2017 Barrett A63H 33/003
D12/16.1
9,567,075 B2 * 2/2017 Tighe B64C 29/02
10,137,982 B1 * 11/2018 Dormiani B64C 27/39
10,272,999 B2 * 4/2019 Engbersen B64C 29/02
10,370,082 B2 * 8/2019 Har B64C 3/385
10,407,169 B2 * 9/2019 Groninga B64C 29/02
10,414,492 B2 * 9/2019 Robertson B64C 27/24
D881,106 S * 4/2020 Parvizian D12/319
10,661,897 B2 * 5/2020 Cobb B64C 39/024
10,683,079 B2 * 6/2020 Koessler B64C 1/22
2005/0009440 A1 * 1/2005 Foster A63H 27/005
446/231
2015/0028155 A1 * 1/2015 Reiter B64C 3/385
244/39

* cited by examiner

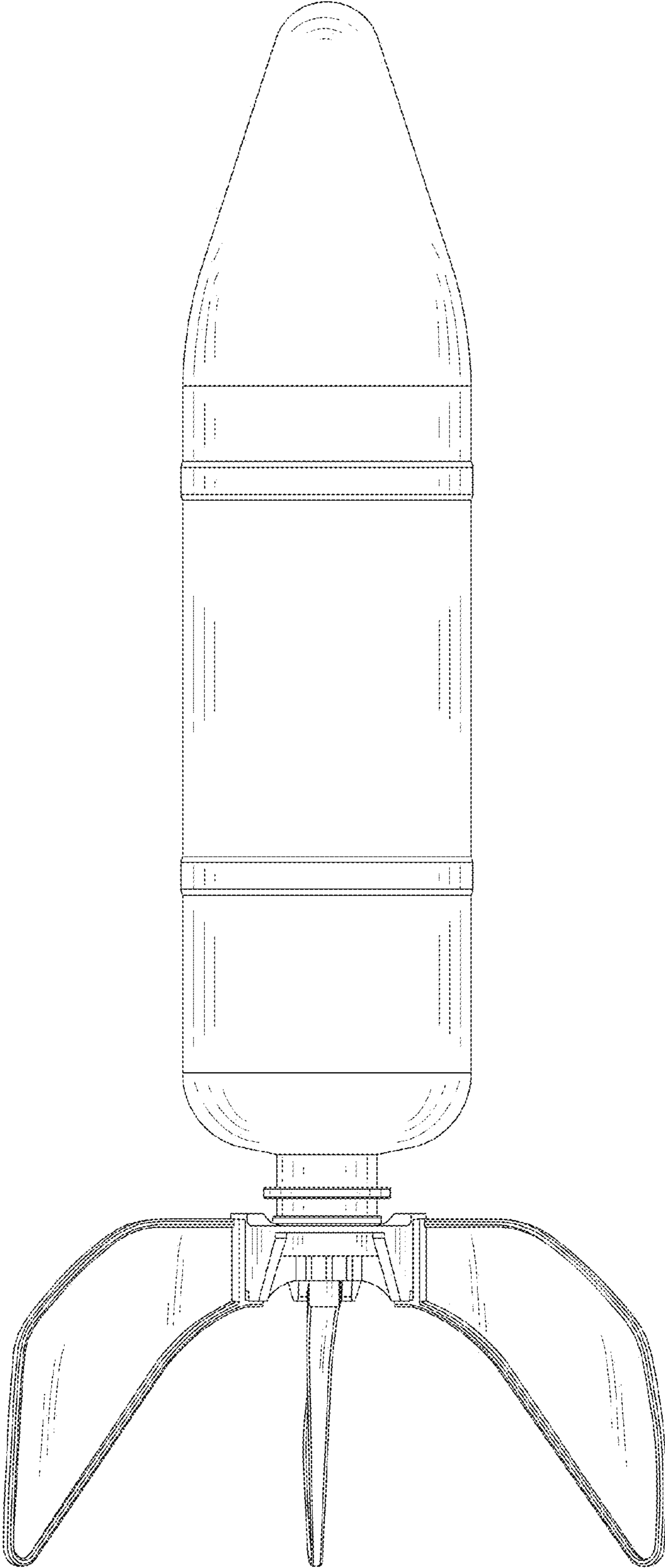


FIG. 1

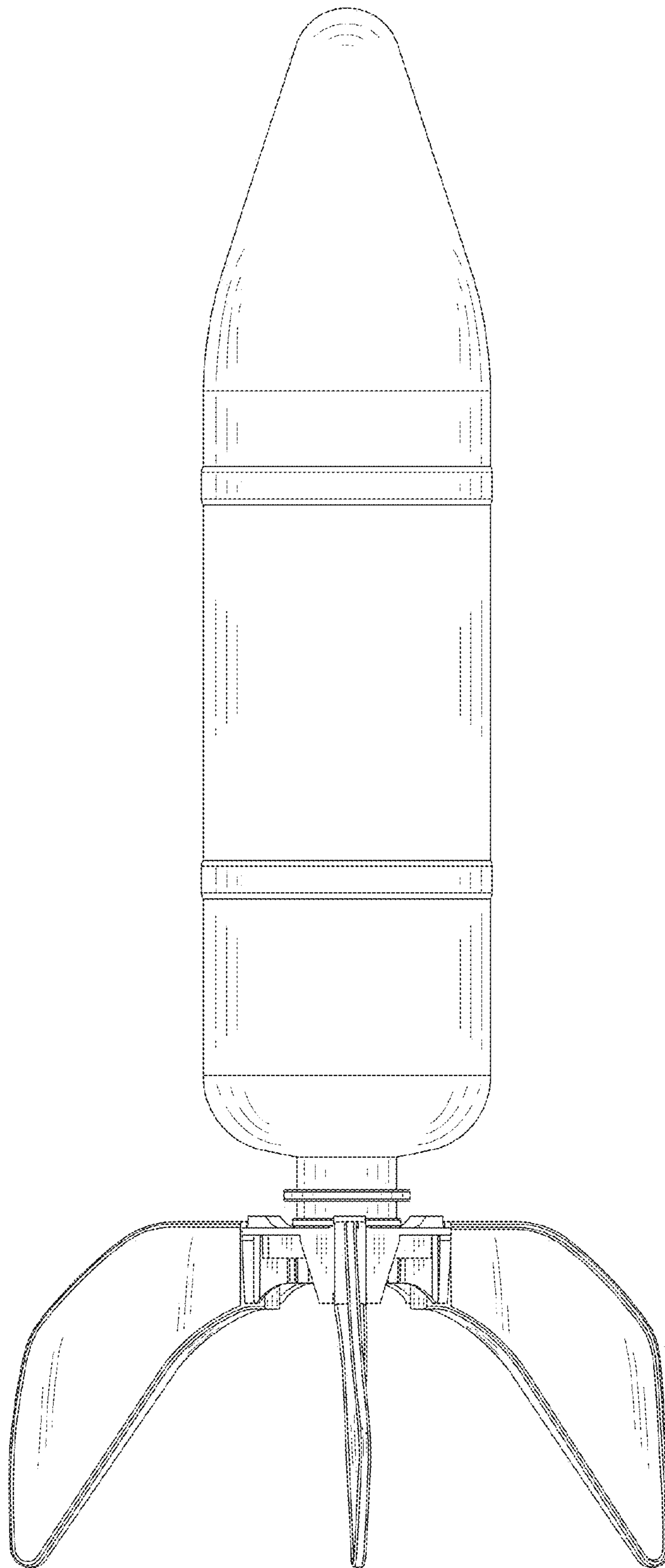


FIG. 2

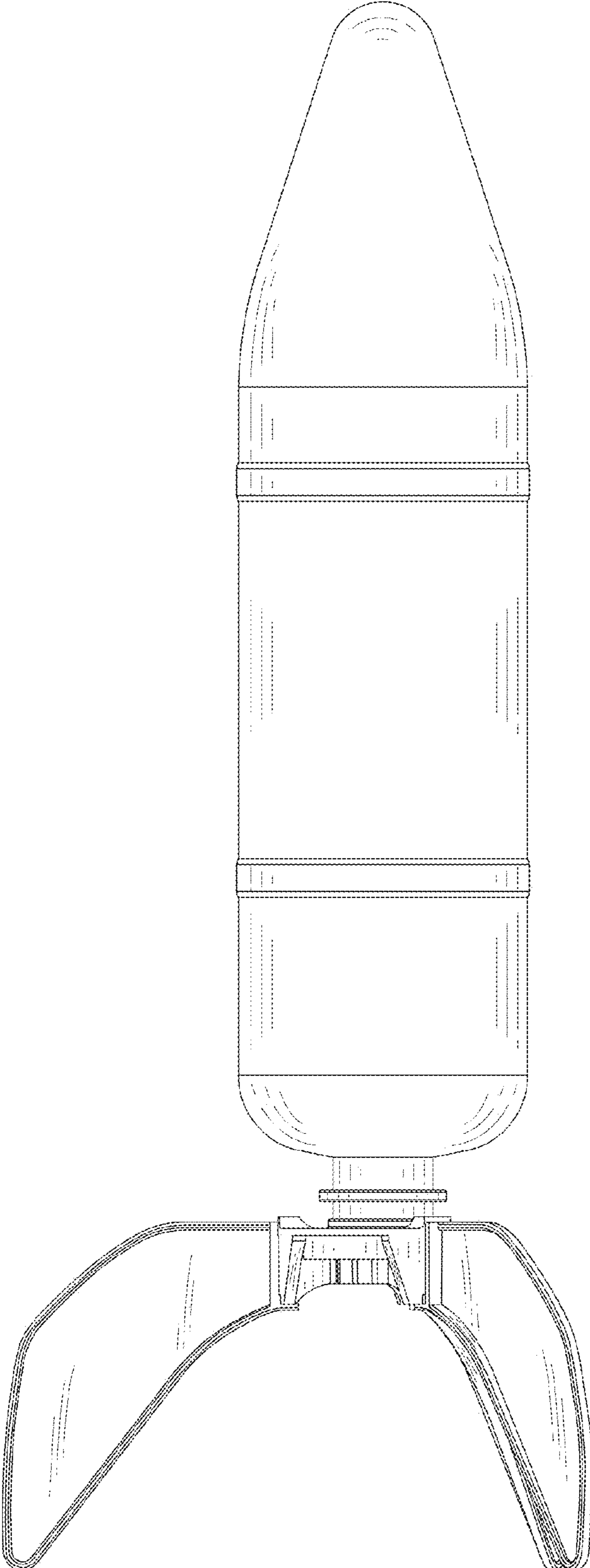


FIG. 3

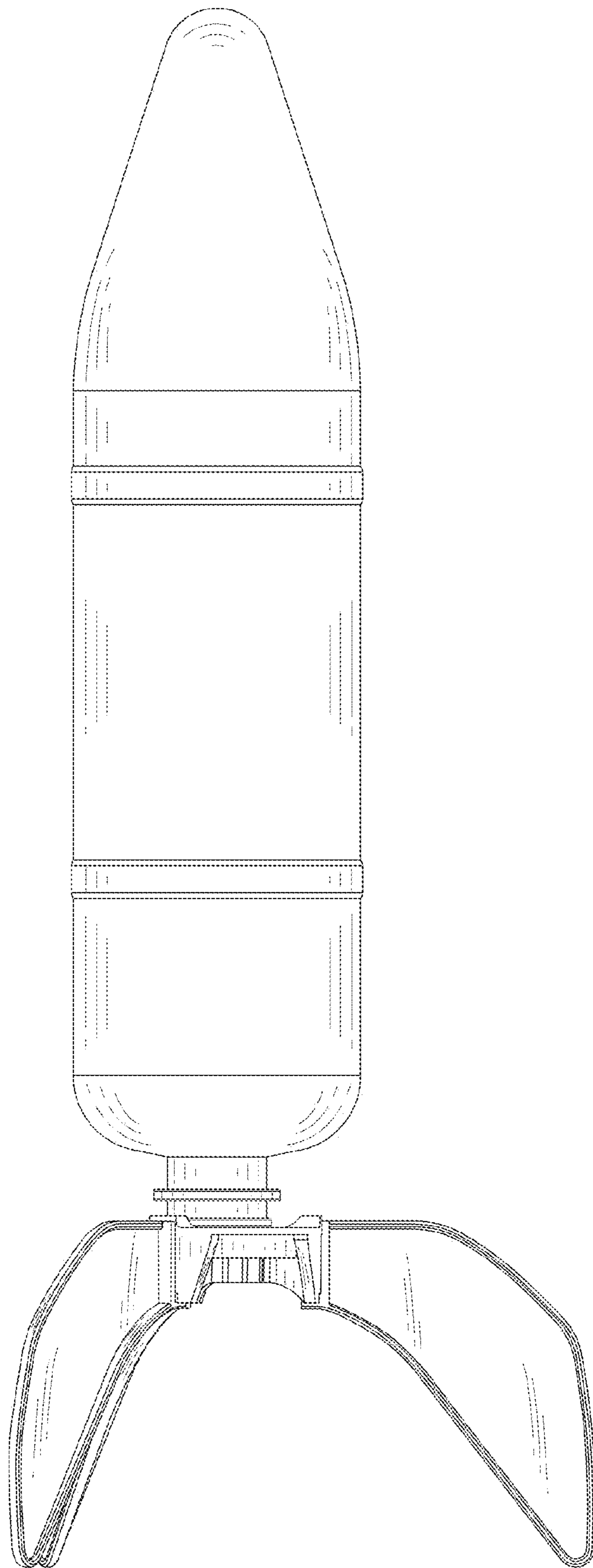


FIG. 4

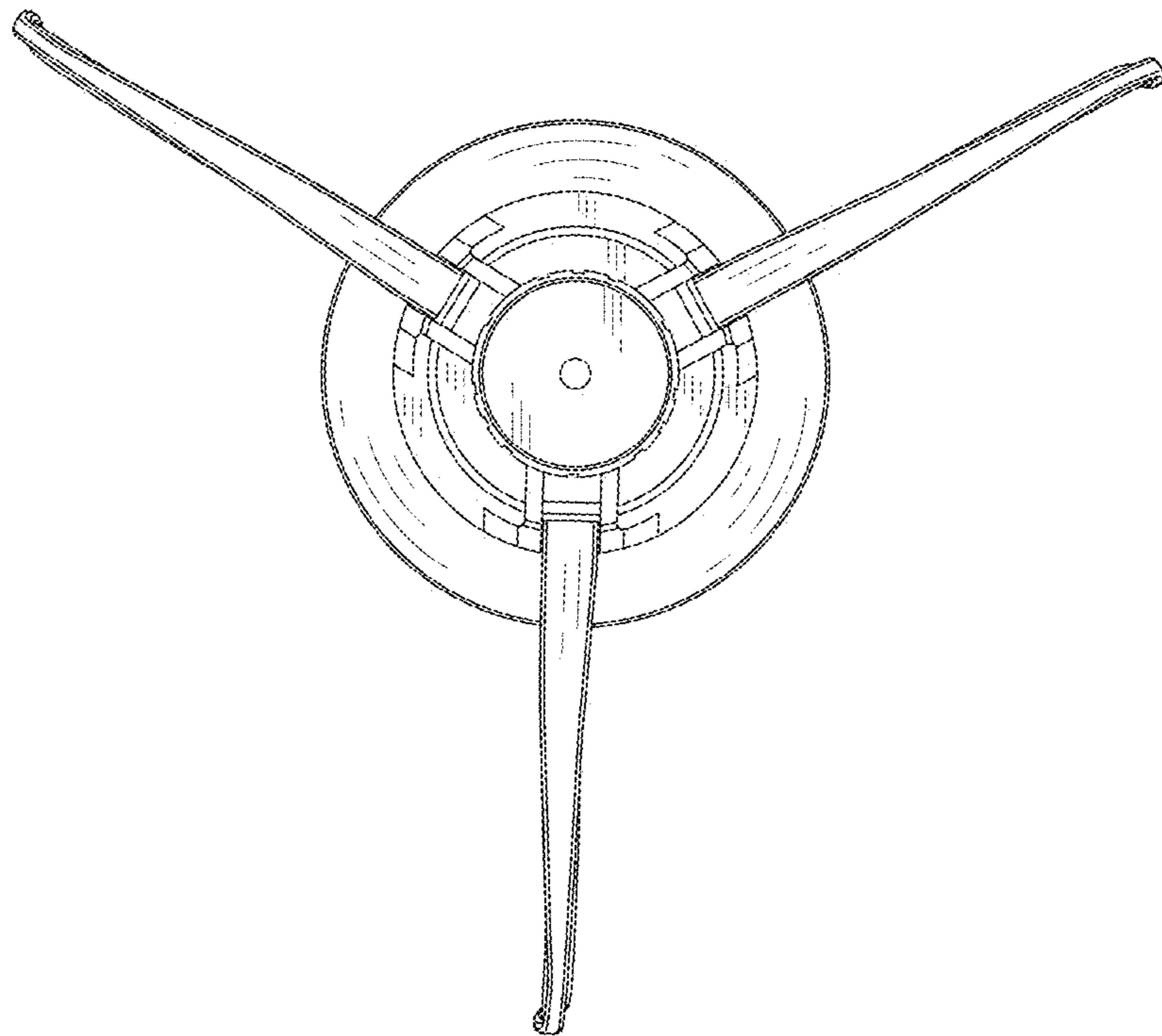


FIG. 5

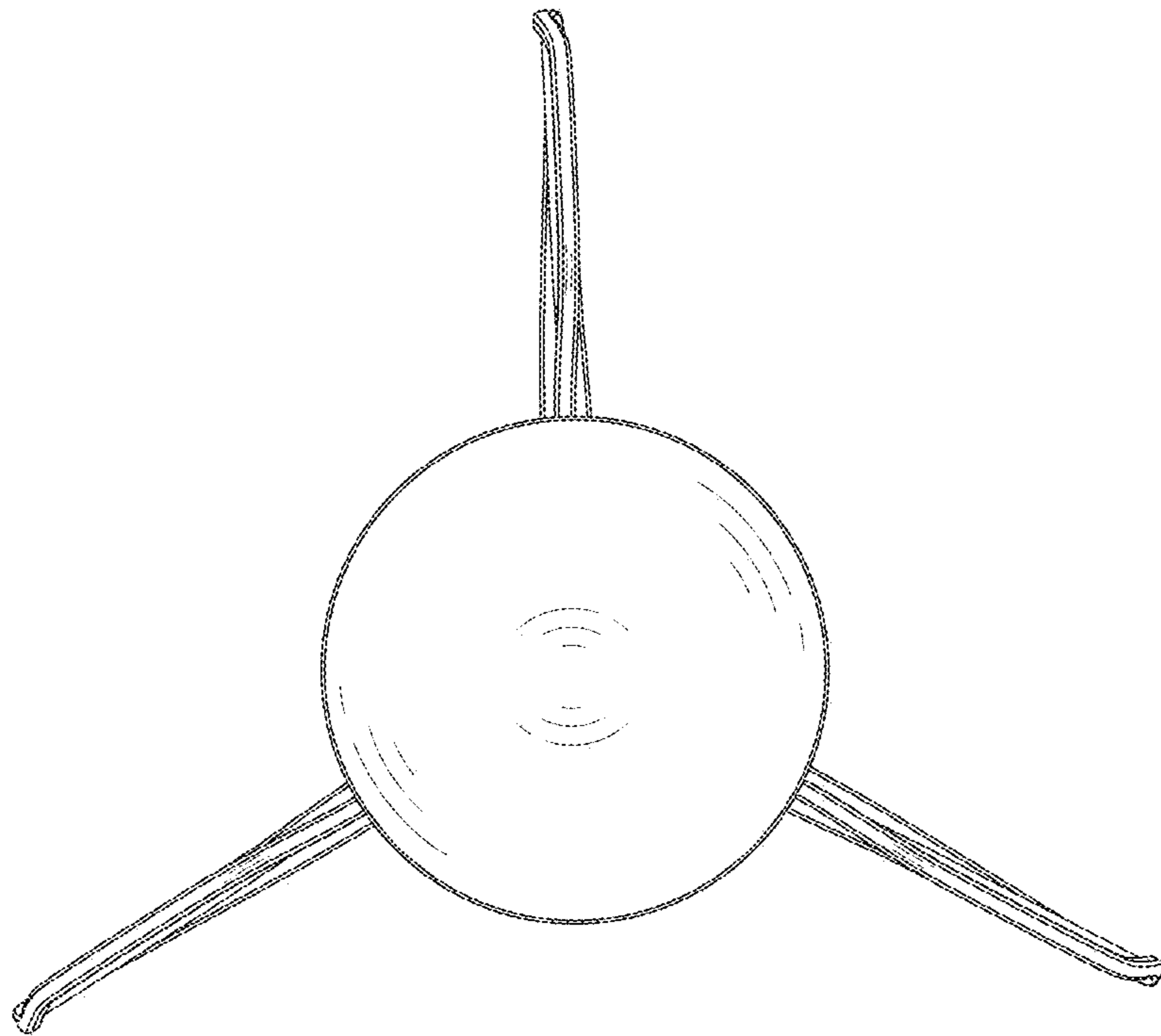


FIG. 6

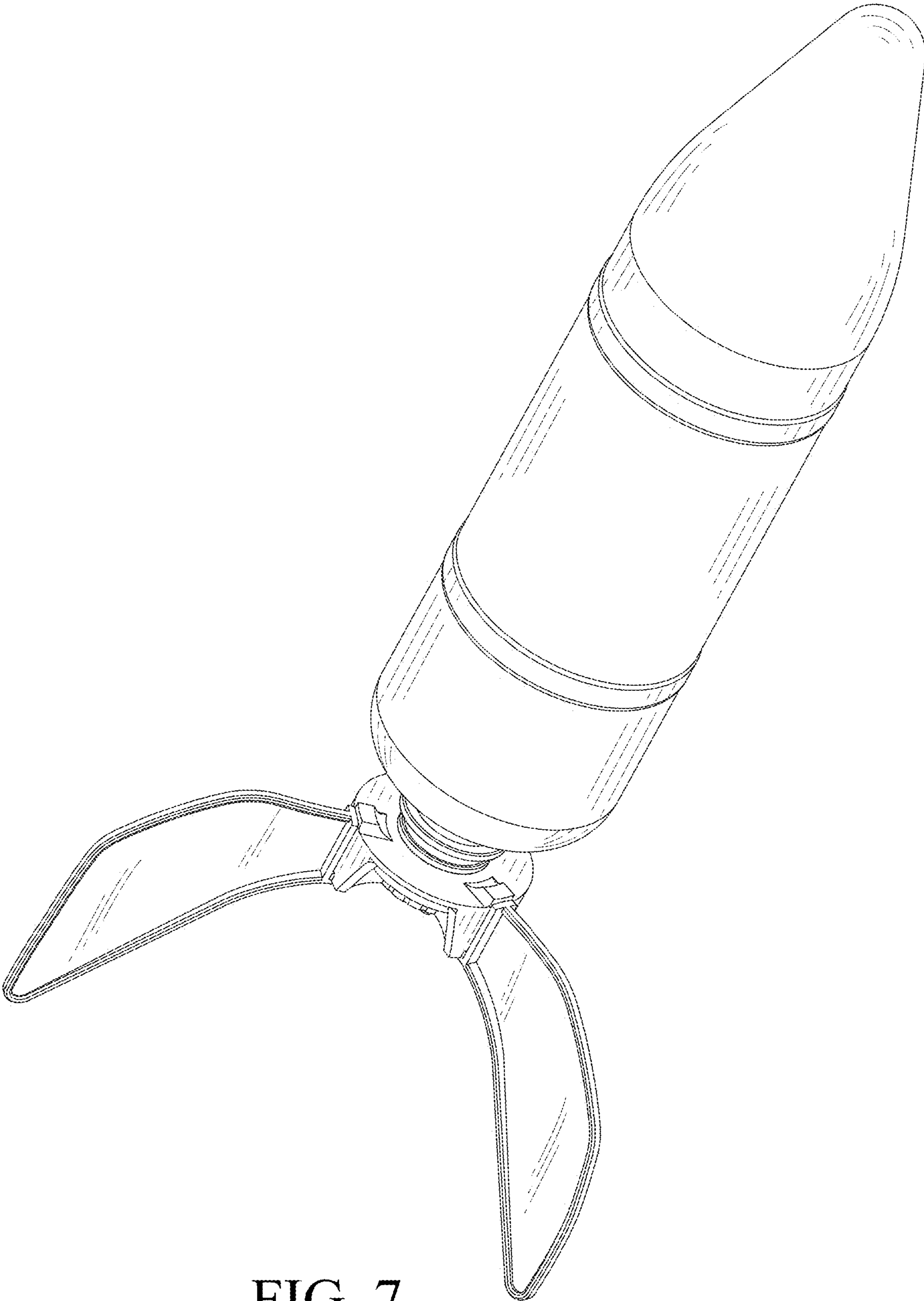


FIG. 7

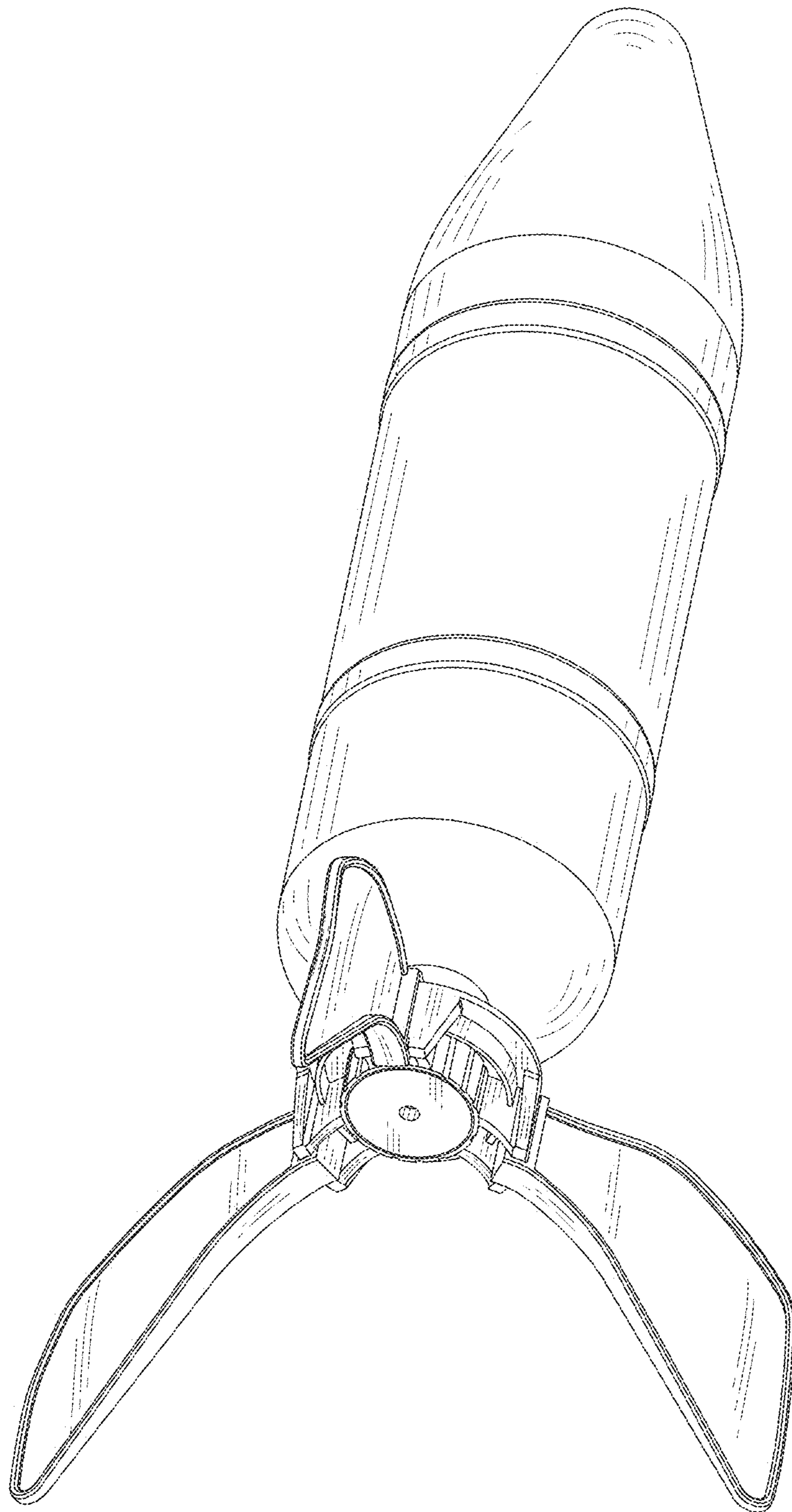


FIG. 8