



US00D903004S

(12) **United States Design Patent**
Merka et al.

(10) **Patent No.:** **US D903,004 S**

(45) **Date of Patent:** **** Nov. 24, 2020**

(54) **CHILD'S WAGON**

(71) Applicant: **Burleigh Wagon Pty Ltd.**, Robina (AU)

(72) Inventors: **Nathan Merka**, Burleigh Waters (AU); **Regan Merka**, Burleigh Waters (AU)

(73) Assignee: **Burleigh Wagon Pty. Ltd.**, Robina (AU)

(**) Term: **15 Years**

(21) Appl. No.: **29/692,874**

(22) Filed: **May 29, 2019**

(51) **LOC (12) Cl.** **21-01**

(52) **U.S. Cl.**
USPC **D21/425**

(58) **Field of Classification Search**
USPC D21/425, 534, 536; D12/105, 106; D34/12, 27
CPC .. B62B 3/00; B62B 3/02; B62B 3/002; B62B 3/003; B62B 3/007
See application file for complete search history.

(56) **References Cited**

U.S. PATENT DOCUMENTS

D308,552 S *	6/1990	Klawitter	D21/425
D308,556 S *	6/1990	Klawitter	D21/425
D403,026 S *	12/1998	Pasin	D21/425
6,318,740 B1 *	11/2001	Nappo	B62B 3/00 280/47.35
D458,648 S *	6/2002	Chiappetta	D21/425
6,641,149 B2 *	11/2003	Chiappetta	B62B 3/007 280/87.01
D564,039 S *	3/2008	Rodriguez	D21/425
D570,424 S *	6/2008	Blair	D21/425

D652,084 S *	1/2012	Herlitz	D21/425
9,333,977 B2 *	5/2016	Herlitz	B62B 3/02
9,623,890 B1 *	4/2017	Horowitz	B62B 3/022
2008/0122191 A1 *	5/2008	Johnson	B62B 7/04 280/47.38

* cited by examiner

Primary Examiner — Cynthia M. Chin

(74) *Attorney, Agent, or Firm* — Fay Sharpe LLP

(57) **CLAIM**

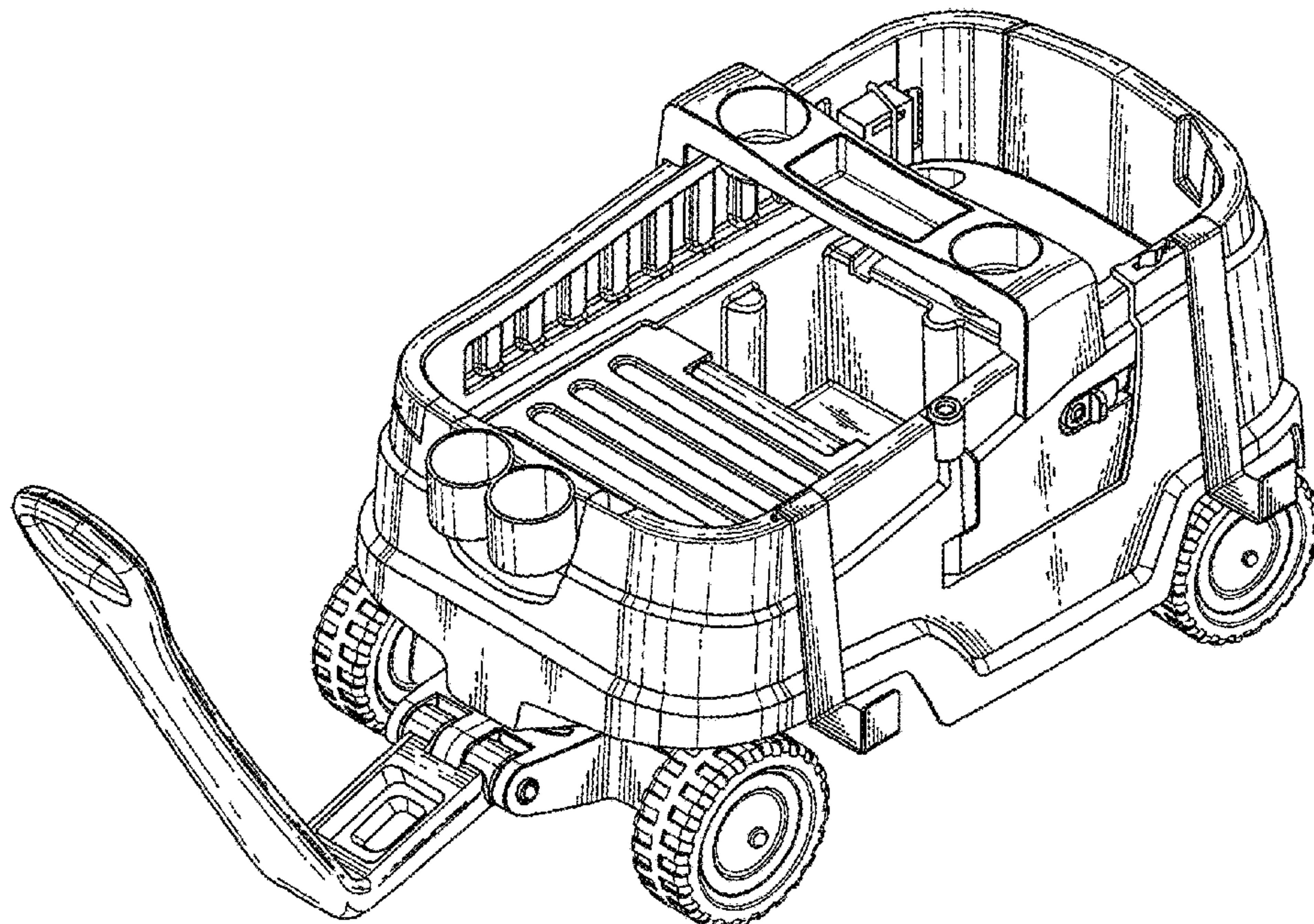
The ornamental design for a child's wagon, as shown and described.

DESCRIPTION

FIG. 1 is a top perspective view of the wagon showing my new design;
 FIG. 2 is a bottom perspective view thereof;
 FIG. 3 is a front elevation view thereof;
 FIG. 4 is a rear elevation view thereof;
 FIG. 5 is a top plan view thereof;
 FIG. 6 is a bottom plan view thereof;
 FIG. 7 is a first side elevation view thereof;
 FIG. 8 is the other side elevation view thereof;
 FIG. 9 is another top perspective view of the wagon with an accessory;
 FIG. 10 is an exploded top perspective view thereof from the front; and,
 FIG. 11 is an exploded top perspective view thereof from the rear.

The broken lines are for the purpose of illustrating portions of the article that form no part of the claimed design.

1 Claim, 11 Drawing Sheets



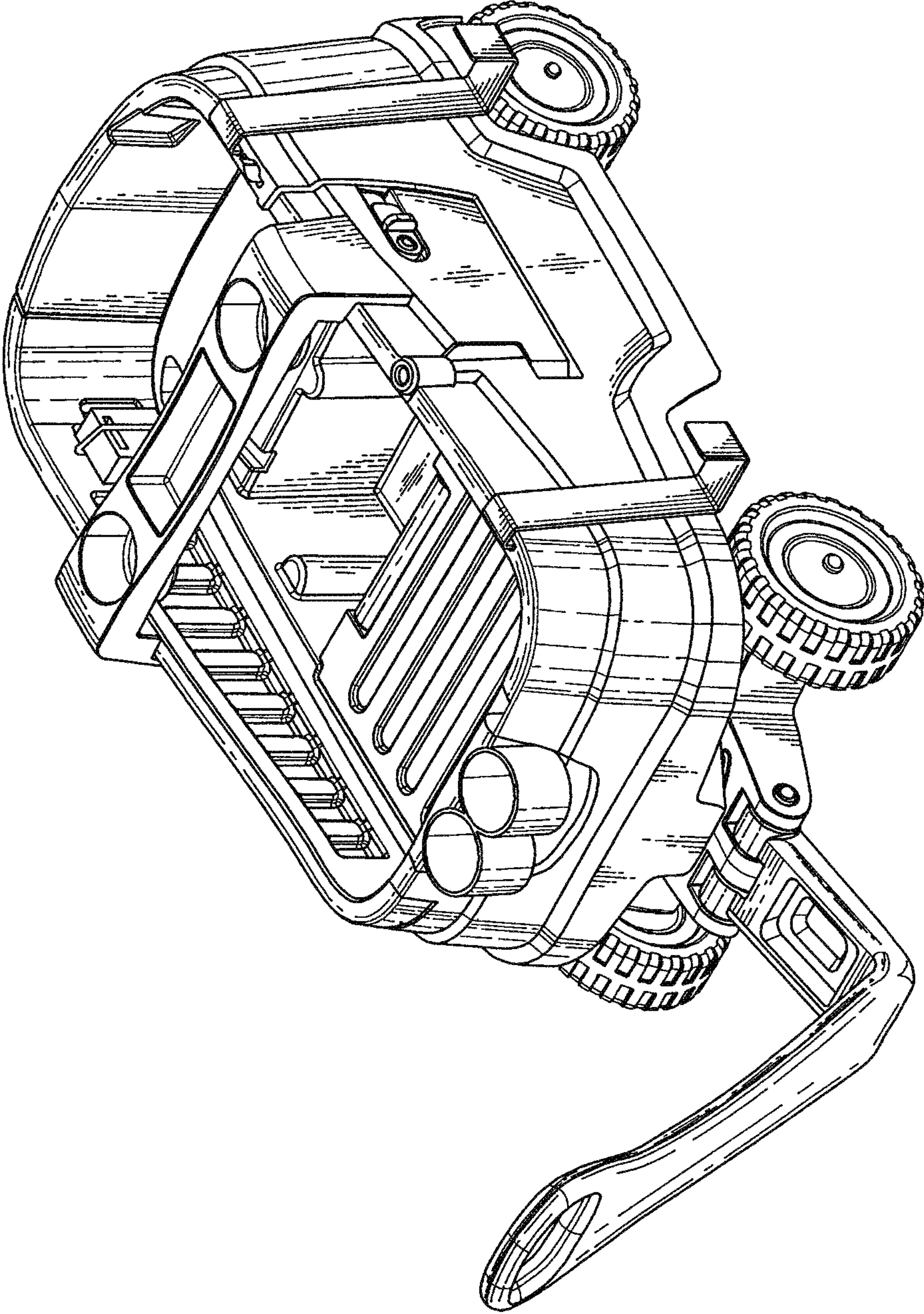


FIG. 1

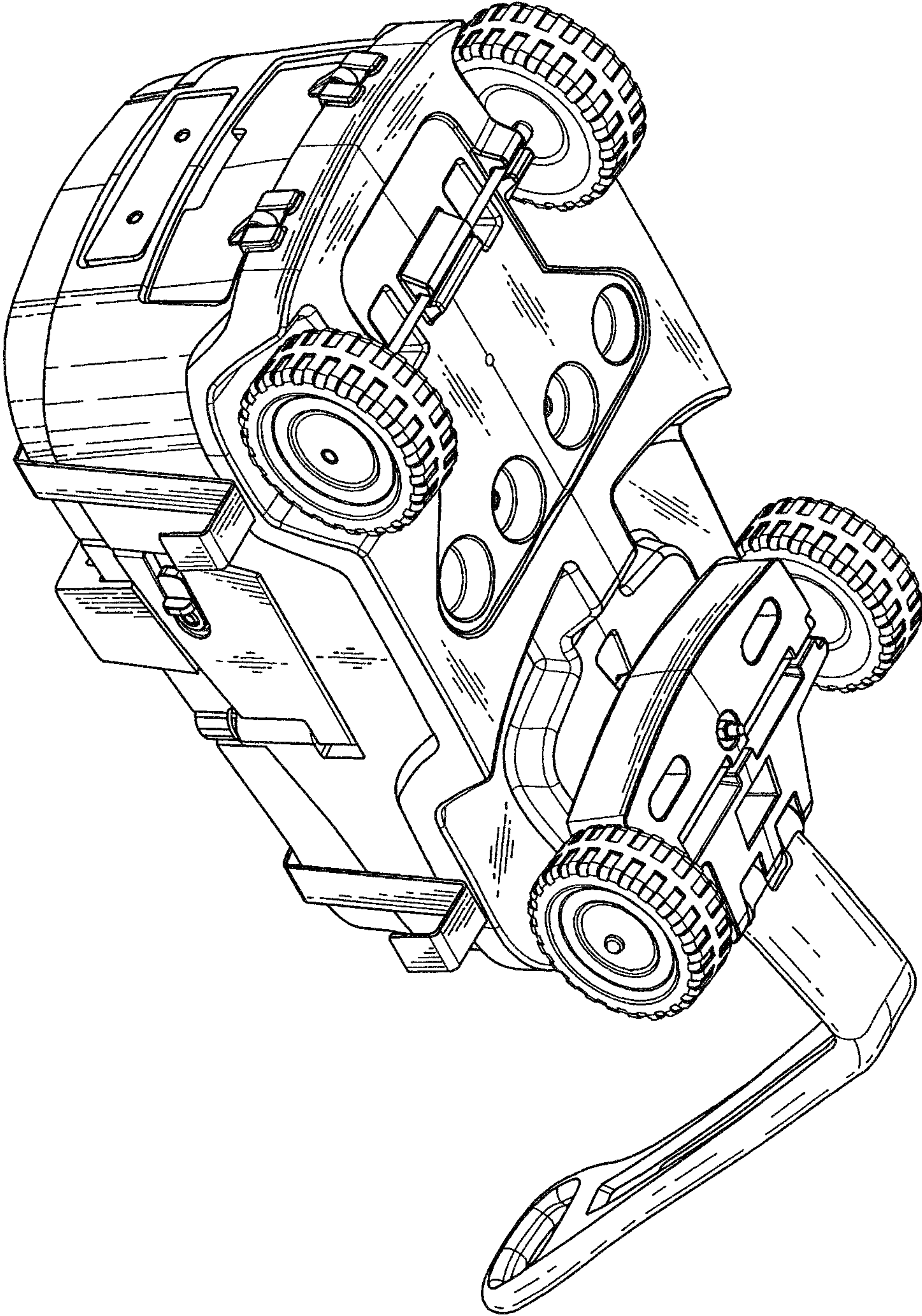


FIG. 2

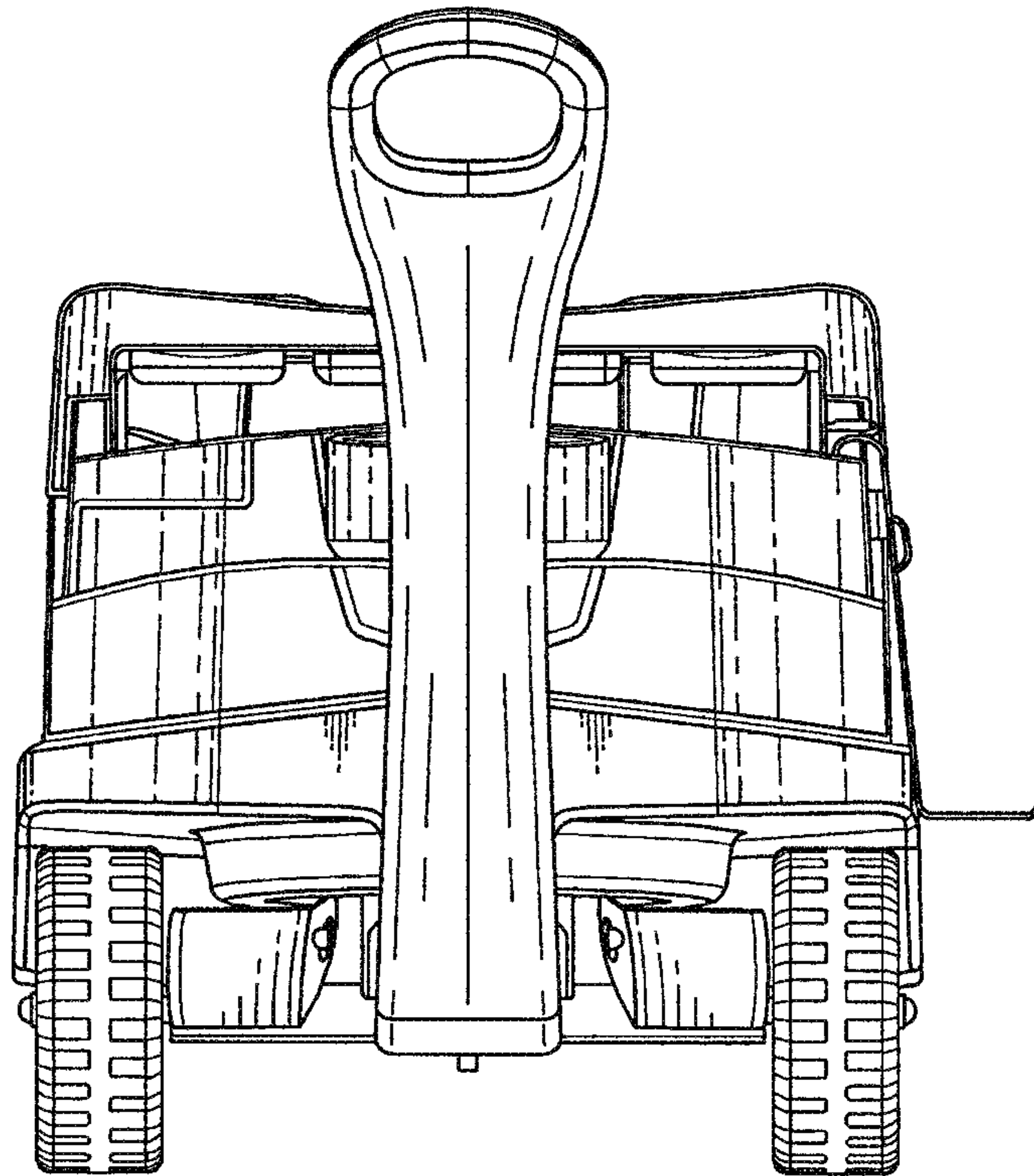


FIG. 3

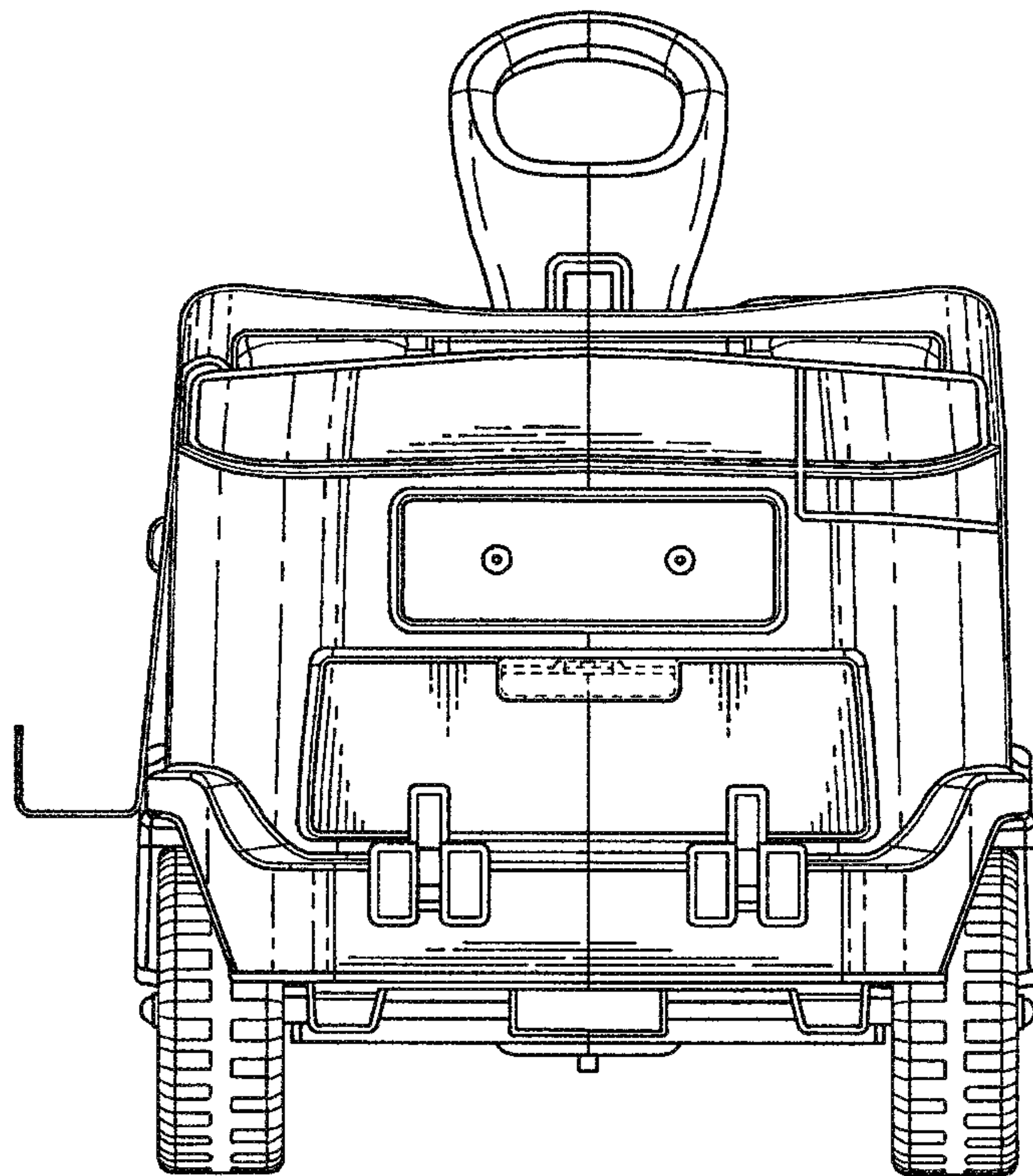


FIG. 4

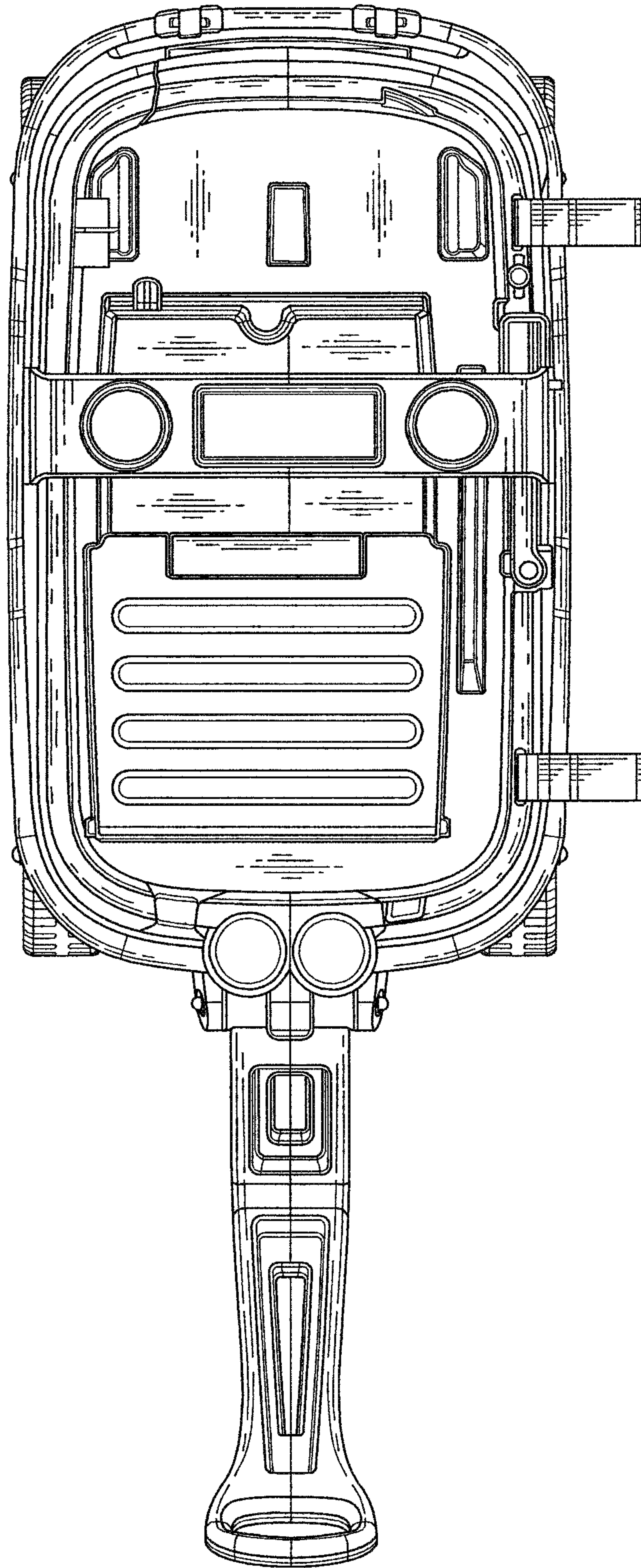


FIG. 5

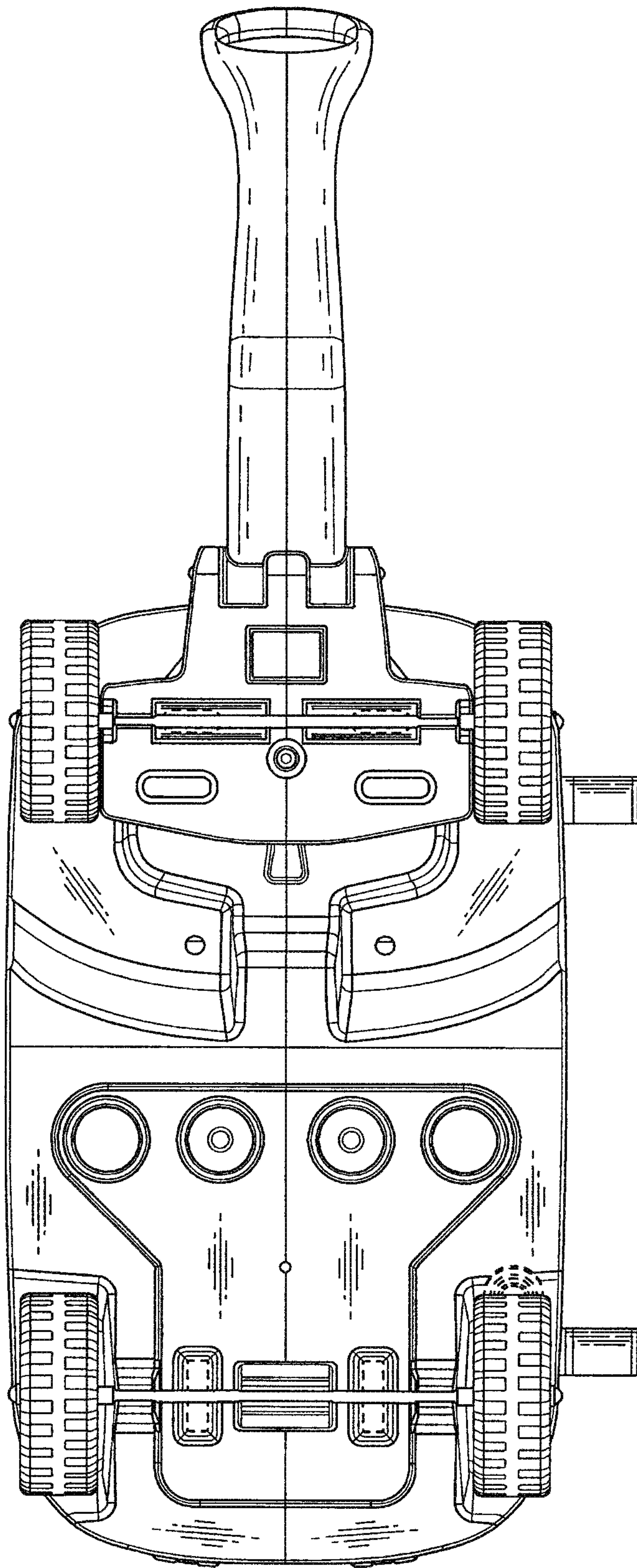


FIG. 6

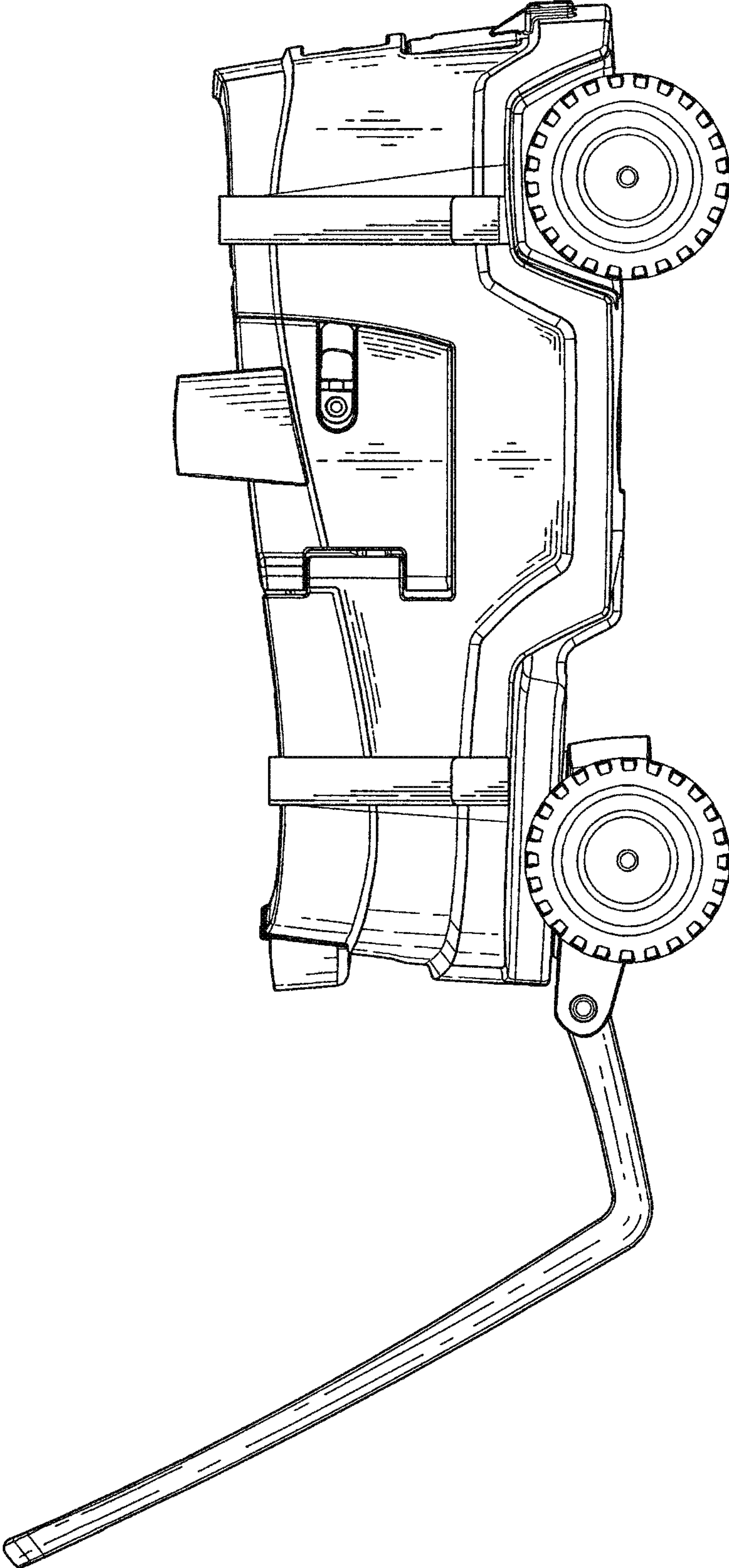


FIG. 7

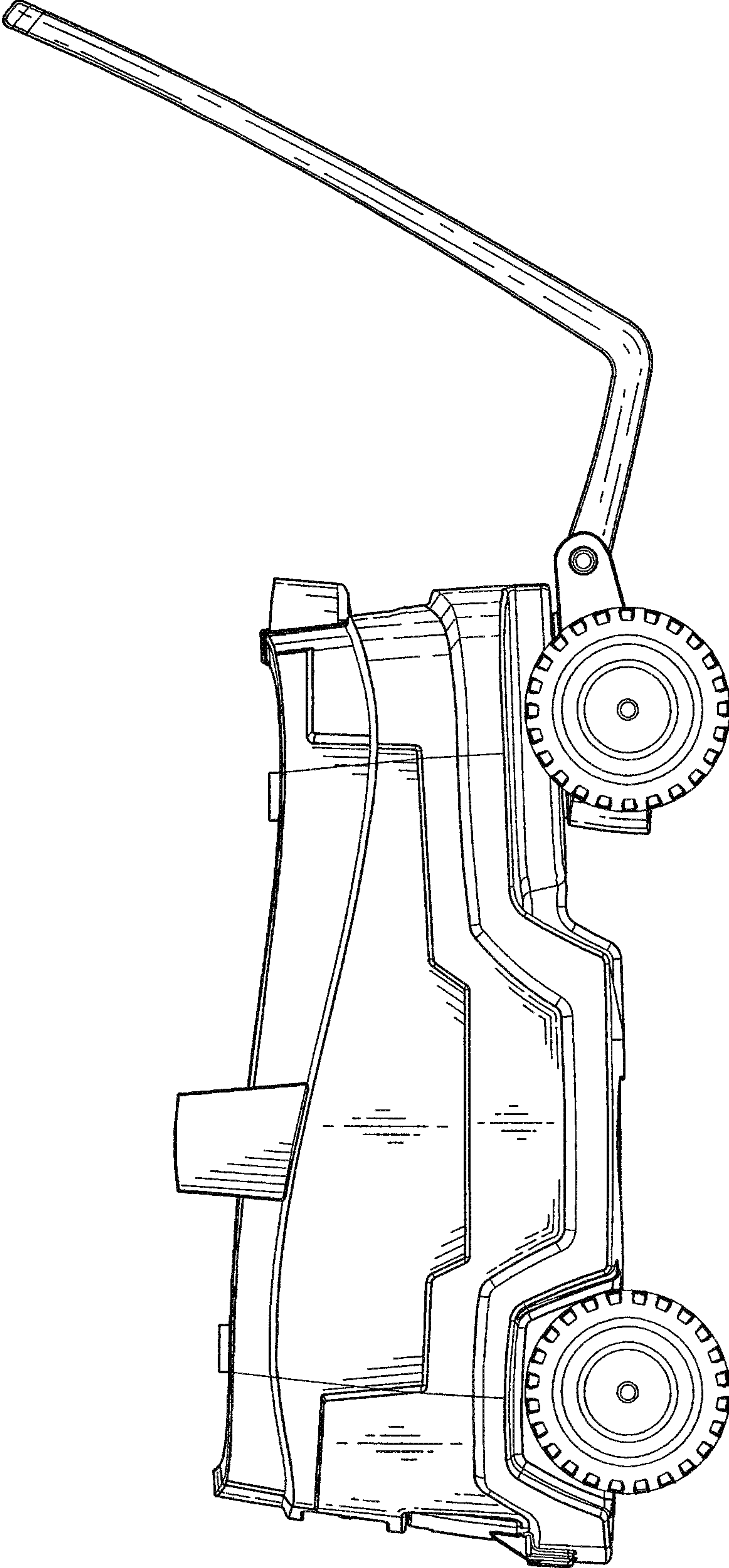


FIG. 8

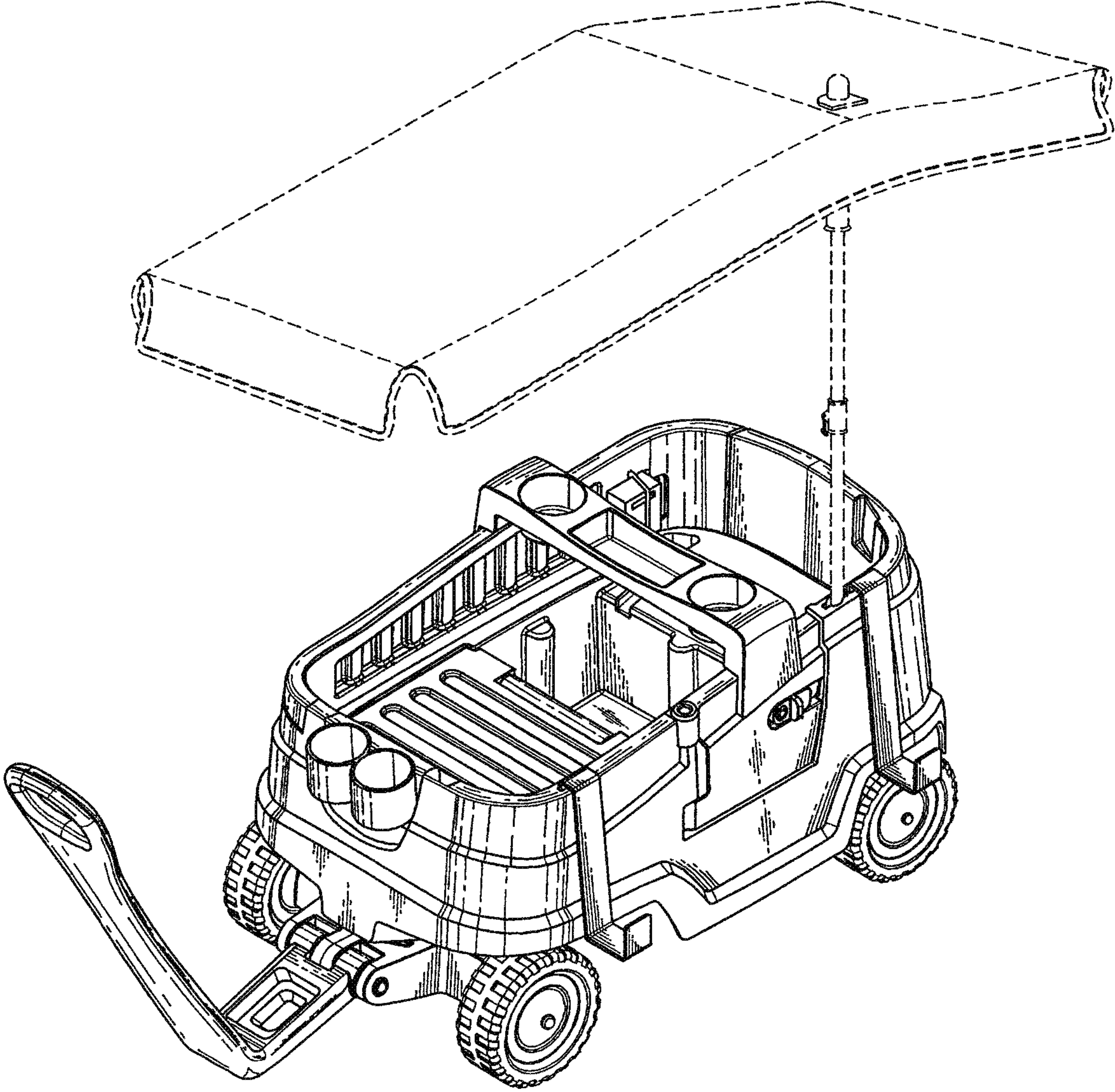


FIG. 9

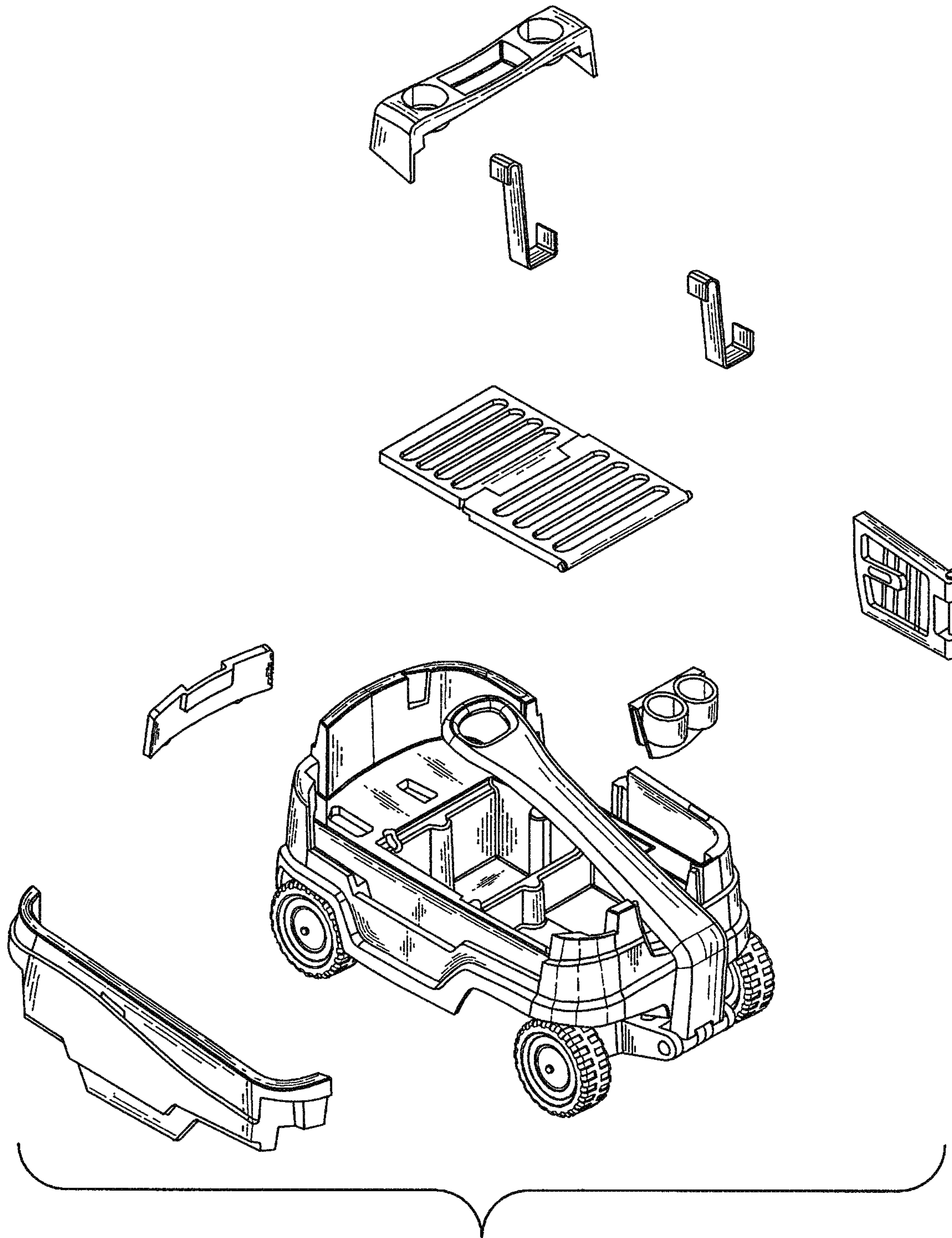


FIG. 10

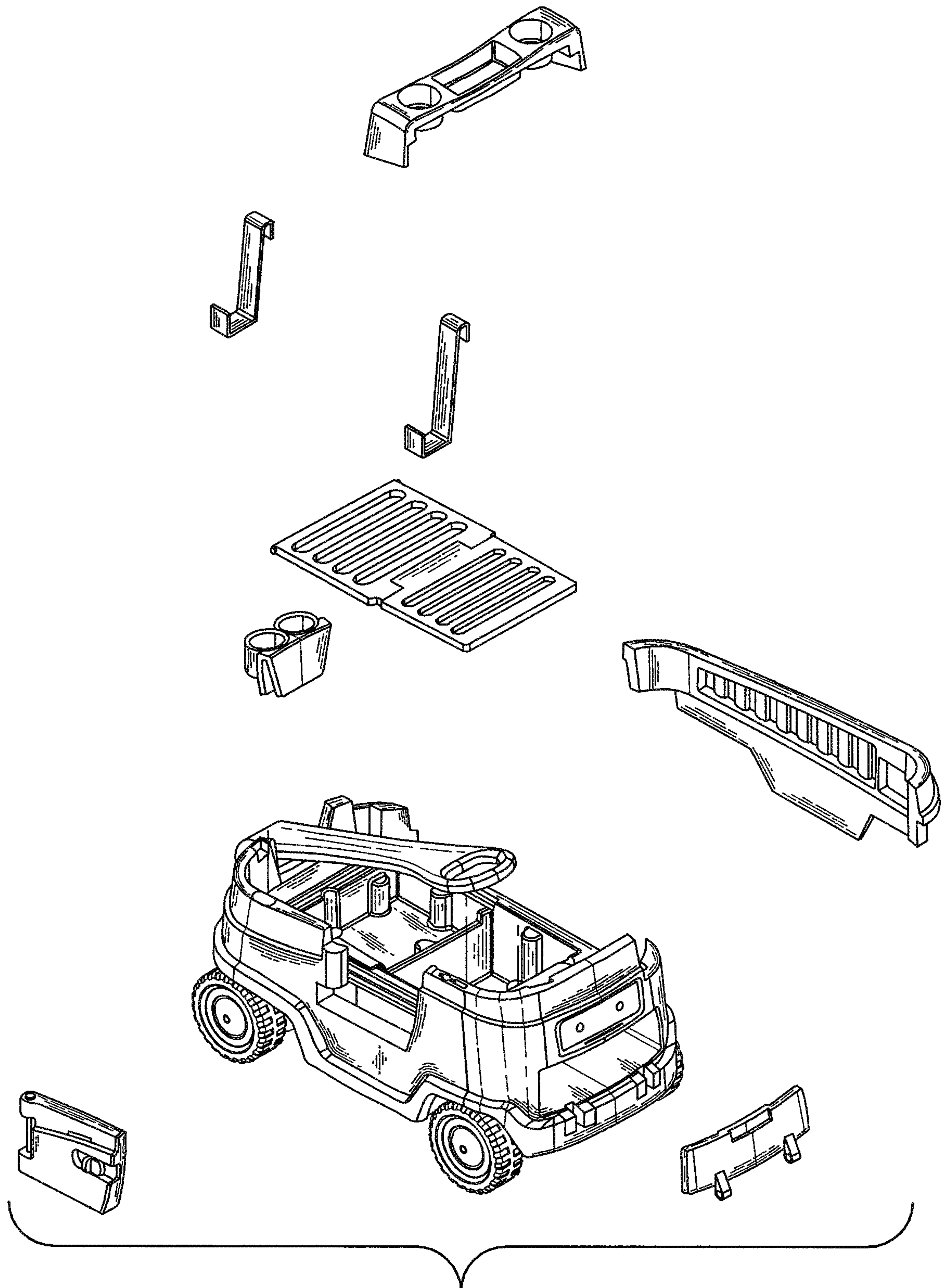


FIG. 11

UNITED STATES PATENT AND TRADEMARK OFFICE
CERTIFICATE OF CORRECTION

PATENT NO. : D903,004 S
APPLICATION NO. : 29/692874
DATED : November 24, 2020
INVENTOR(S) : Nathan Merka and Regan Merka

Page 1 of 1

It is certified that error appears in the above-identified patent and that said Letters Patent is hereby corrected as shown below:

On the Title Page

Add the following foreign priority claim:
(30) Foreign Application Priority Data
Nov. 30, 2018 (AU) 201817200

Signed and Sealed this
Fifteenth Day of March, 2022



Drew Hirshfeld
*Performing the Functions and Duties of the
Under Secretary of Commerce for Intellectual Property and
Director of the United States Patent and Trademark Office*