

US00D902999S

(12) **United States Design Patent** (10) **Patent No.:** **US D902,999 S**  
**Wolter** (45) **Date of Patent:** **\*\* Nov. 24, 2020**

(54) **MARKER ATTACHMENT**  
(71) Applicant: **Matthew Stephen Wolter**, Allston, MA (US)  
(72) Inventor: **Matthew Stephen Wolter**, Allston, MA (US)

D248,863 S \* 8/1978 Miyamoto ..... D19/123  
5,082,385 A \* 1/1992 Stewart ..... B43K 7/005  
401/8  
D368,738 S \* 4/1996 Osada ..... D19/173  
D385,914 S \* 11/1997 Shimizu ..... D19/173  
5,913,629 A 6/1999 Hazzard  
(Continued)

(\*\*) Term: **15 Years**

**FOREIGN PATENT DOCUMENTS**

(21) Appl. No.: **29/743,017**

JP 5395628 1/2014

(22) Filed: **Jul. 17, 2020**

**OTHER PUBLICATIONS**

(51) **LOC (12) Cl.** ..... **19-06**

Desmor Adapter Set Compatible with Sharpie for Cricut Joy by MW Precision Designs, with 27 ratings, \$12.95, ASIN: B08DV91QG8, Manufacturer: MW Precision Designs LLC, on Amazon.com, Date First Available: Jul. 29, 2020.\*

(52) **U.S. Cl.**  
USPC ..... **D19/202**

(58) **Field of Classification Search**  
USPC ..... D19/115-204; D14/411  
CPC . B43K 5/005; B43K 7/12; B43K 8/00; B43K 8/02; B43K 8/04; B43K 8/06; B43K 21/006; B43K 21/06; B43K 23/004  
See application file for complete search history.

*Primary Examiner* — Elizabeth A. Albert  
(74) *Attorney, Agent, or Firm* — Walter J. Tencza, Jr.

(56) **References Cited**

(57) **CLAIM**

I claim the ornamental design for the marker attachment, as shown and described.

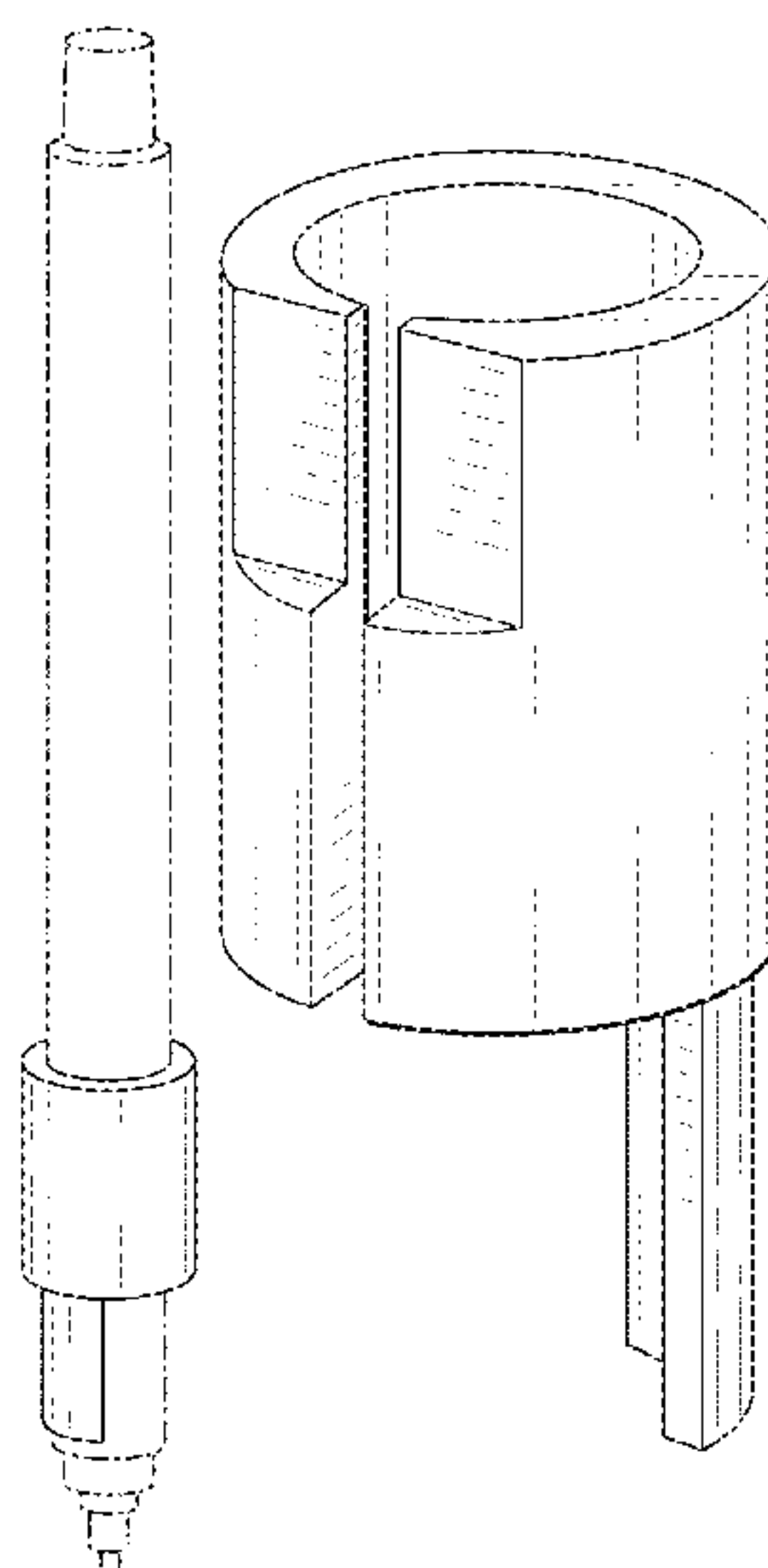
**U.S. PATENT DOCUMENTS**

**DESCRIPTION**

209,411 A \* 10/1878 McGill ..... B26B 5/006  
30/320  
210,256 A 11/1878 Hoffman  
405,650 A 6/1889 Anderson  
549,579 A 11/1895 McDonald  
572,526 A 12/1896 Cuckson  
588,902 A \* 8/1897 Einfeldt et al. .... B43K 23/004  
15/443  
624,853 A 5/1899 Oberbeck  
677,944 A 7/1901 Coleman  
770,716 A 9/1904 Engel  
1,353,625 A \* 9/1920 Brandenburg ..... B43K 8/00  
401/184  
1,478,049 A \* 12/1923 Nelson ..... B43K 29/18  
24/11 CC  
1,763,327 A 6/1930 Richie  
D108,719 S \* 3/1938 Morgan ..... D21/700  
D196,993 S \* 11/1963 Green ..... D19/190  
D248,862 S \* 8/1978 Miyamoto ..... D19/123

FIG. 1 is a front, top perspective view of the marker attachment showing my new design;  
FIG. 2 is another front, top perspective view thereof;  
FIG. 3 is a rear, top and right perspective view thereof;  
FIG. 4 is a front elevational view thereof;  
FIG. 5 is a rear elevational view thereof;  
FIG. 6 is a right side elevational view thereof;  
FIG. 7 is a left side elevational view thereof;  
FIG. 8 is a top plan view thereof; and,  
FIG. 9 is a bottom plan view thereof.  
The broken lines showing a marker in FIG. 1 are included for the purpose of illustrating environmental matter that forms no part of the claimed design.

**1 Claim, 6 Drawing Sheets**



(56)

References Cited

U.S. PATENT DOCUMENTS

D426,378	S *	6/2000	Cohen .....	D3/215
D433,704	S *	11/2000	Kouda .....	D19/174
D458,933	S *	6/2002	Schneider .....	D14/411
D470,780	S *	2/2003	Hsieh .....	D10/73
D493,836	S *	8/2004	Cegelski .....	D19/197
D545,900	S *	7/2007	Gerules .....	D19/174
D597,547	S *	8/2009	Smith .....	D14/411
D616,447	S *	5/2010	Smith .....	D14/411
7,806,616	B2 *	10/2010	Greenberg .....	B43K 21/006 401/195
D645,082	S *	9/2011	Ponticello .....	D19/158
D645,506	S *	9/2011	Hung .....	D19/117
D652,445	S	1/2012	Burton et al.	
D670,761	S *	11/2012	Fleming .....	D19/173
D681,731	S *	5/2013	Yasunaga .....	D19/194
D682,939	S *	5/2013	Larson .....	D19/197
D718,311	S *	11/2014	Burke .....	D14/411
9,675,159	B2	6/2017	Bitoh	
D843,452	S *	3/2019	Marshall .....	D19/203
D845,301	S *	4/2019	Chu .....	D14/411
D852,887	S *	7/2019	Mitchell .....	D19/197
D877,214	S	3/2020	Crisp et al.	
2007/0048061	A1 *	3/2007	Travers .....	B65D 75/366 401/6
2012/0318707	A1 *	12/2012	Zivitz .....	B43K 29/007 206/575
2018/0037050	A1 *	2/2018	Marshall .....	B43K 23/008

\* cited by examiner

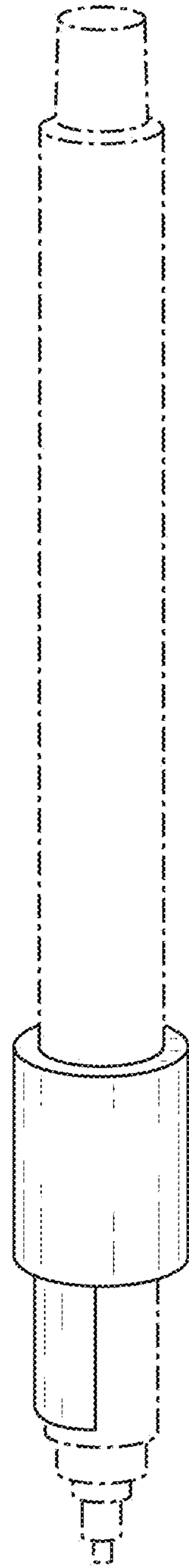


FIG. 1

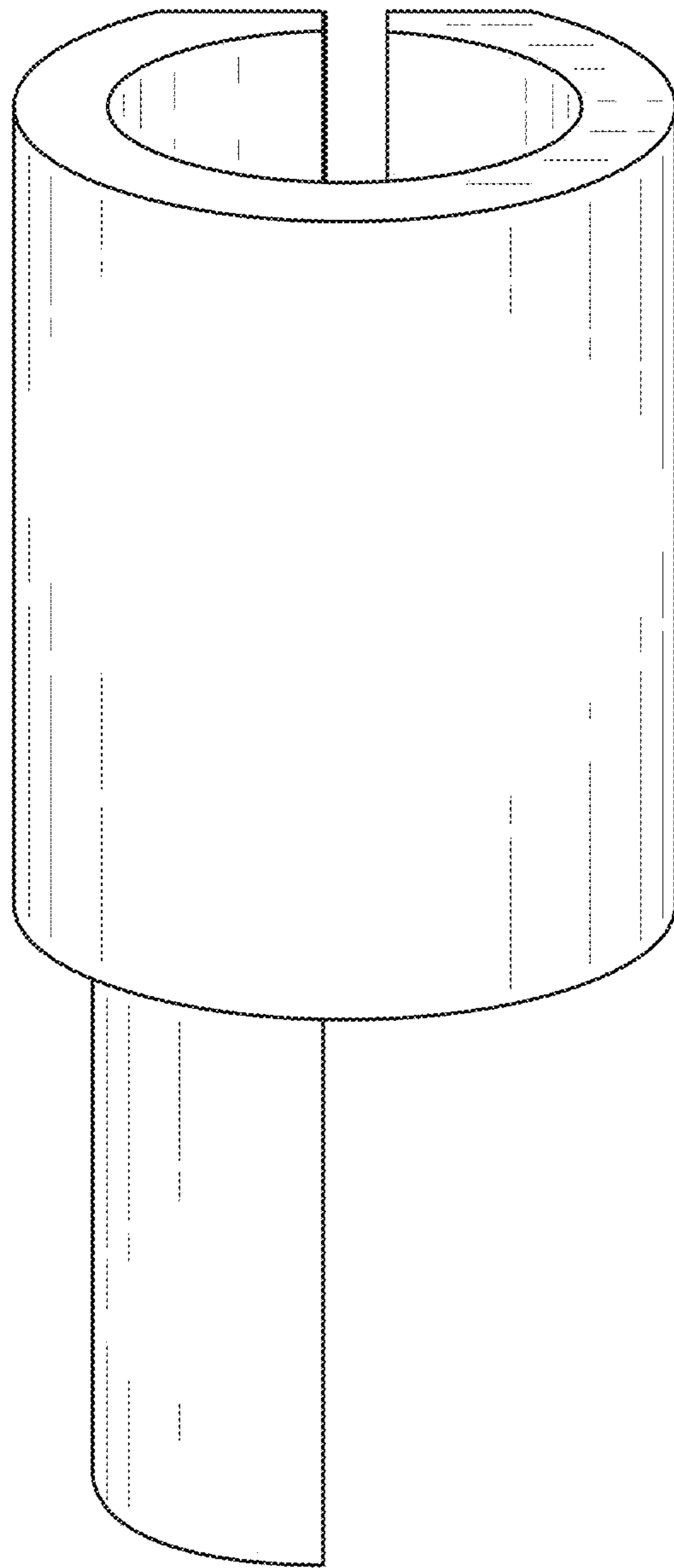


FIG. 2

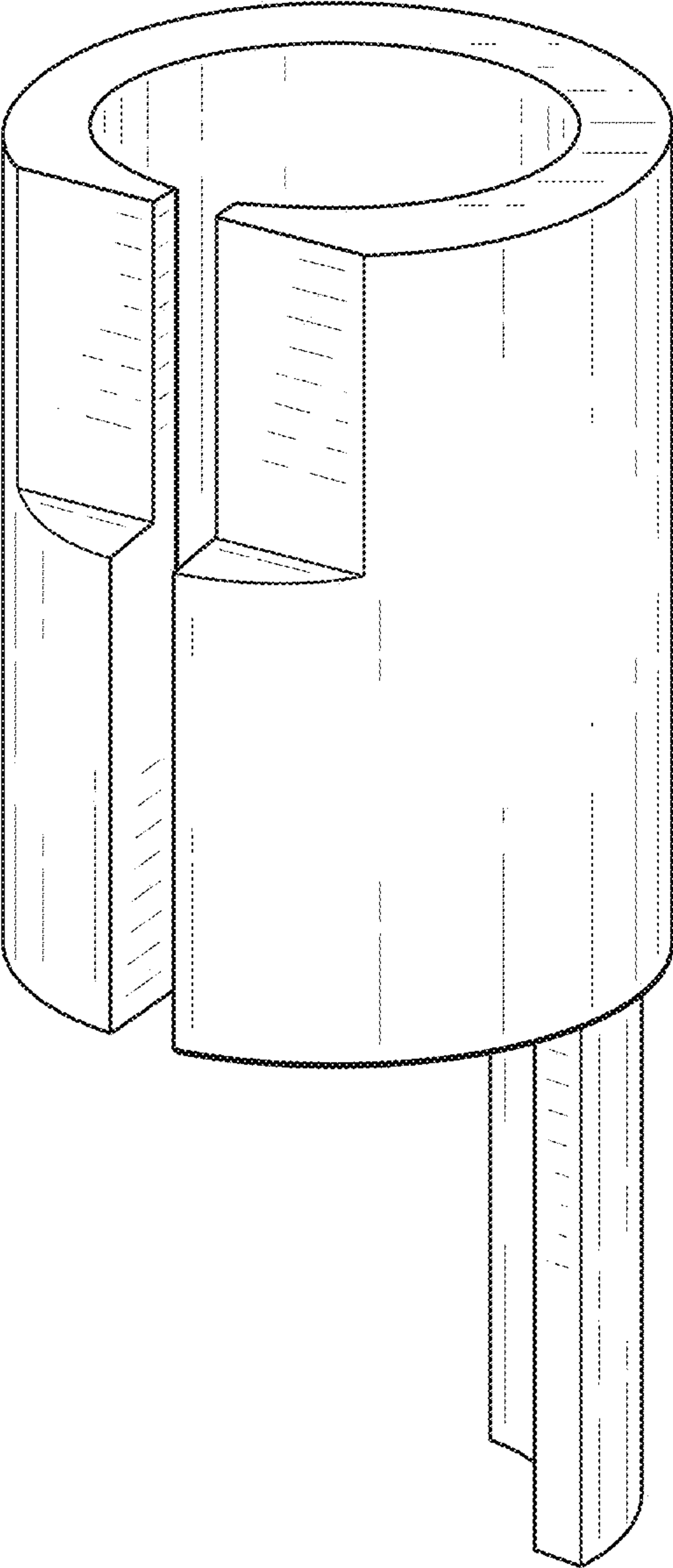


FIG. 3

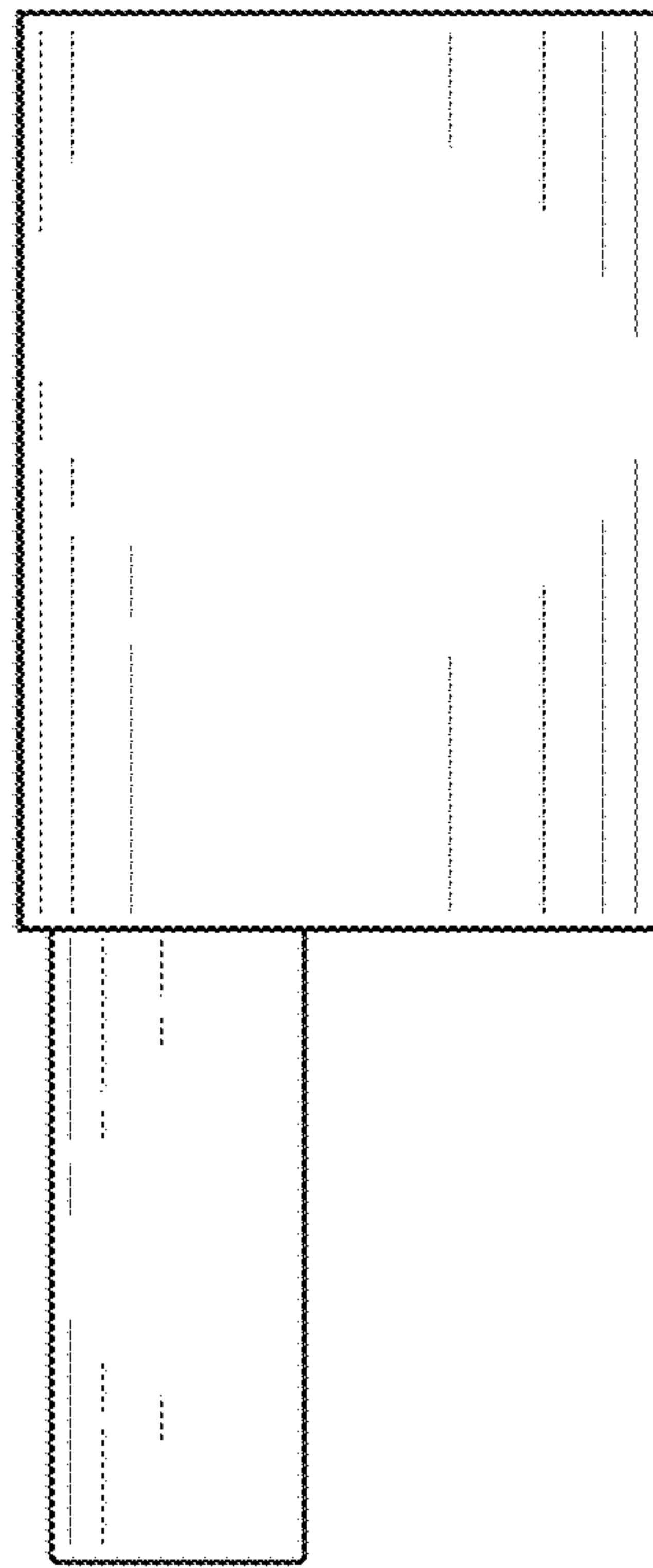


FIG. 4

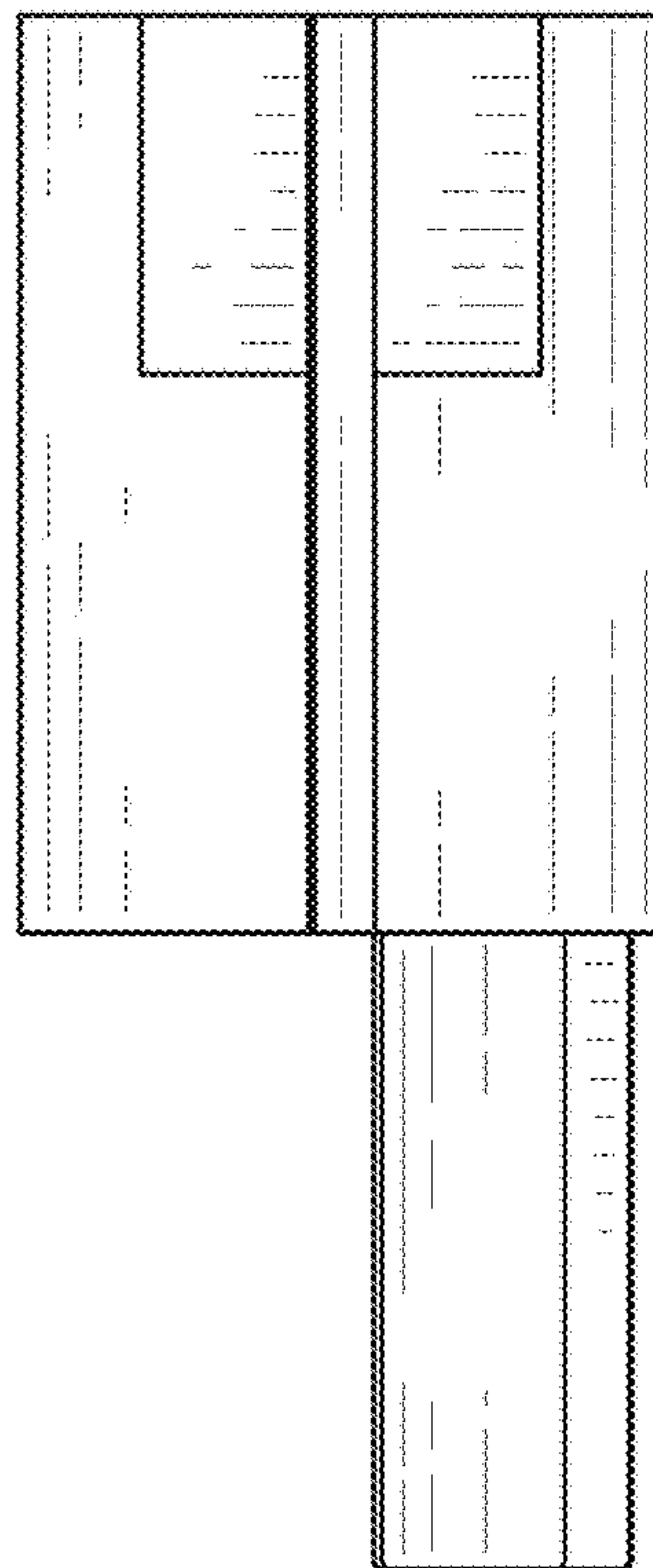


FIG. 5

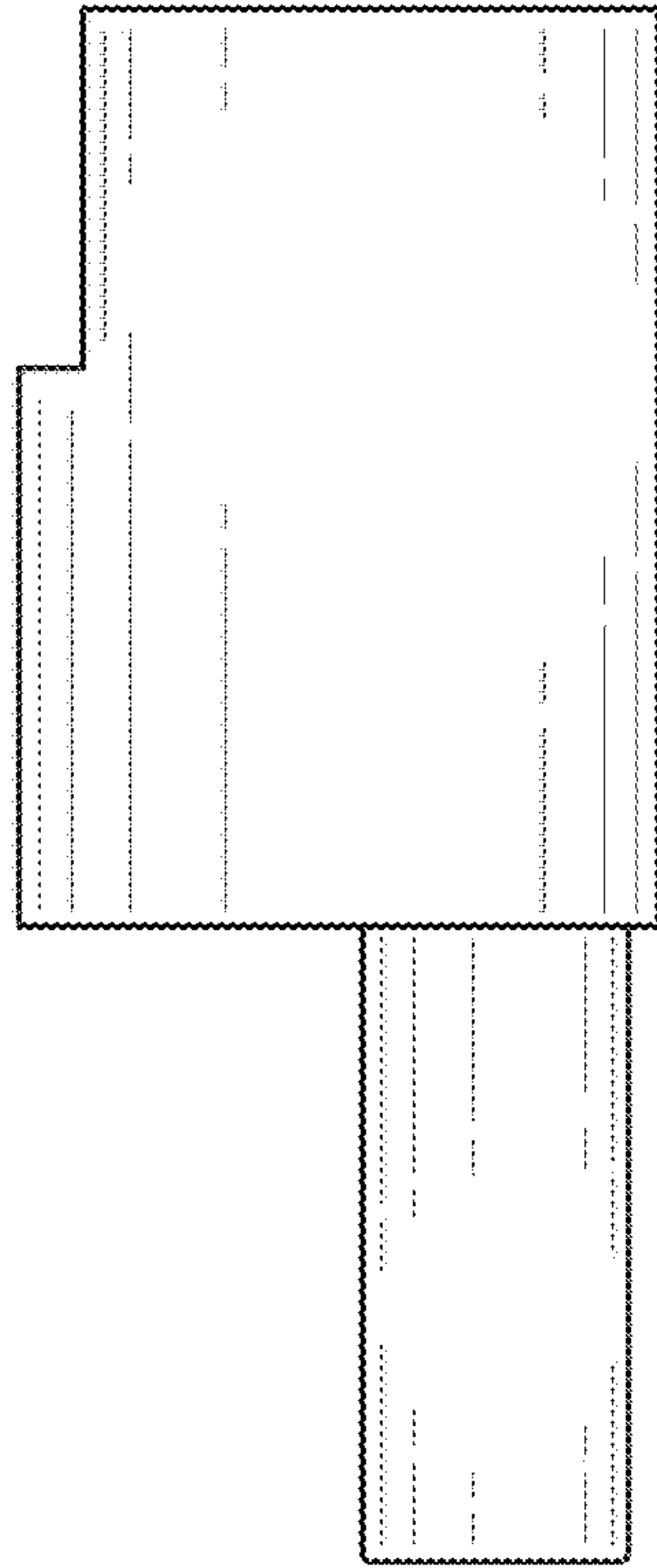


FIG. 6

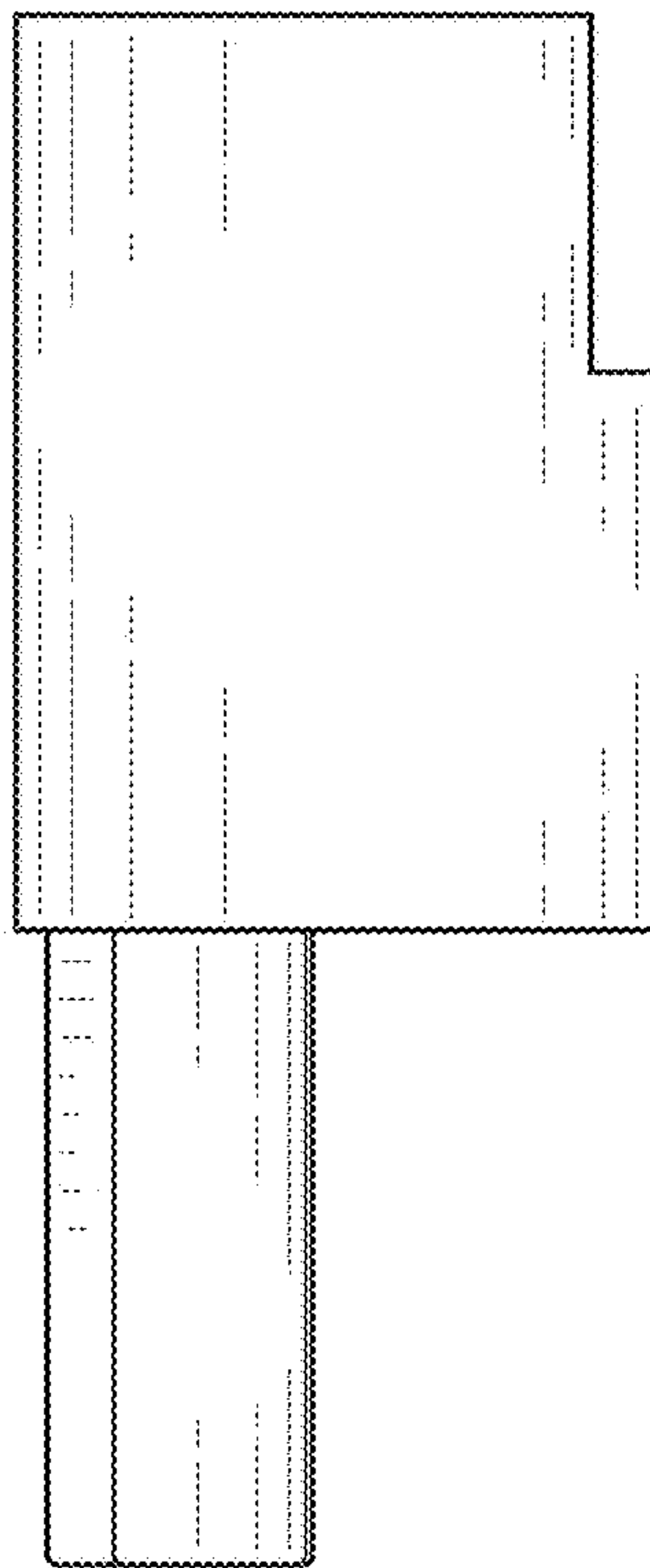


FIG. 7



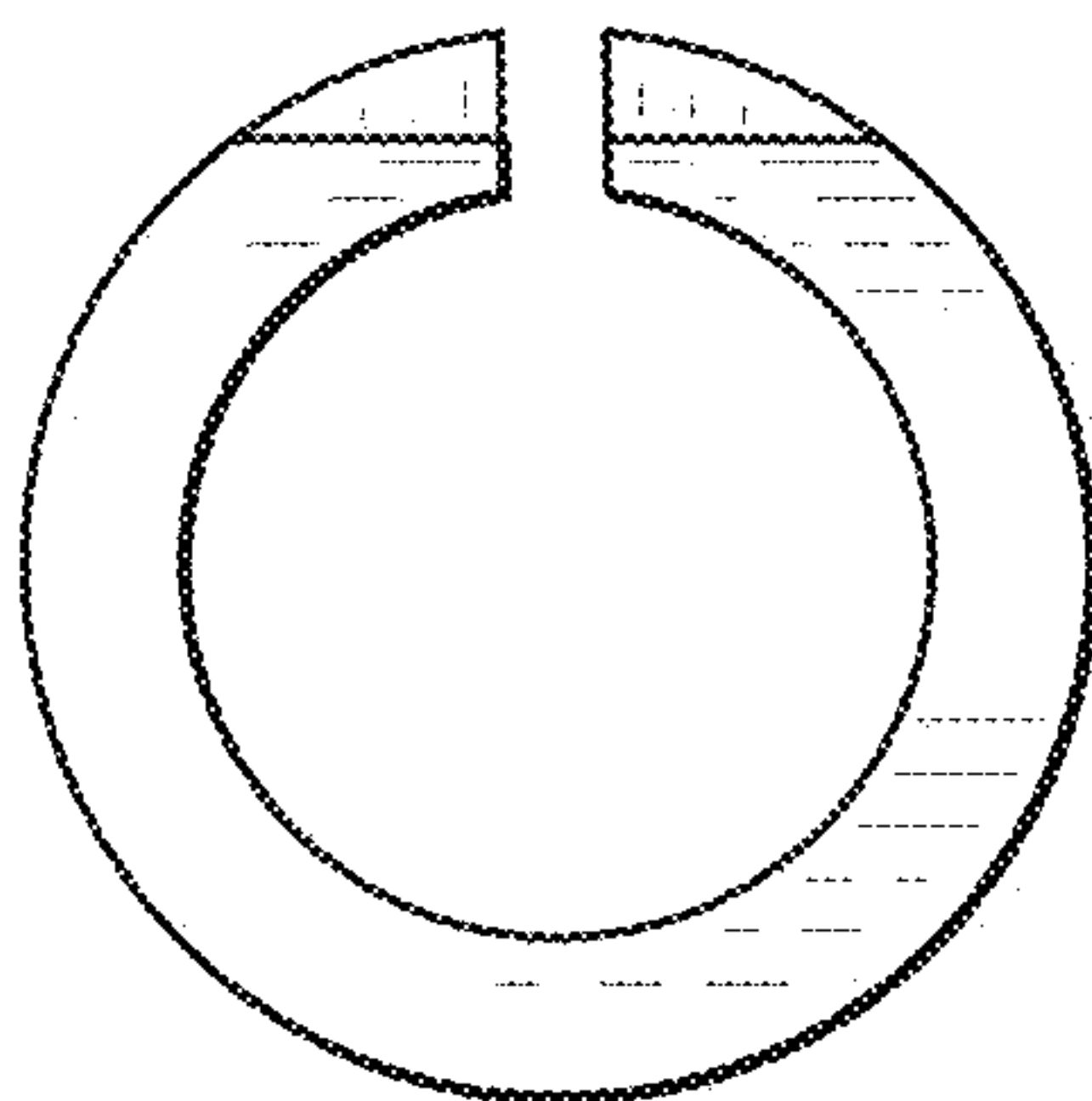


FIG. 8

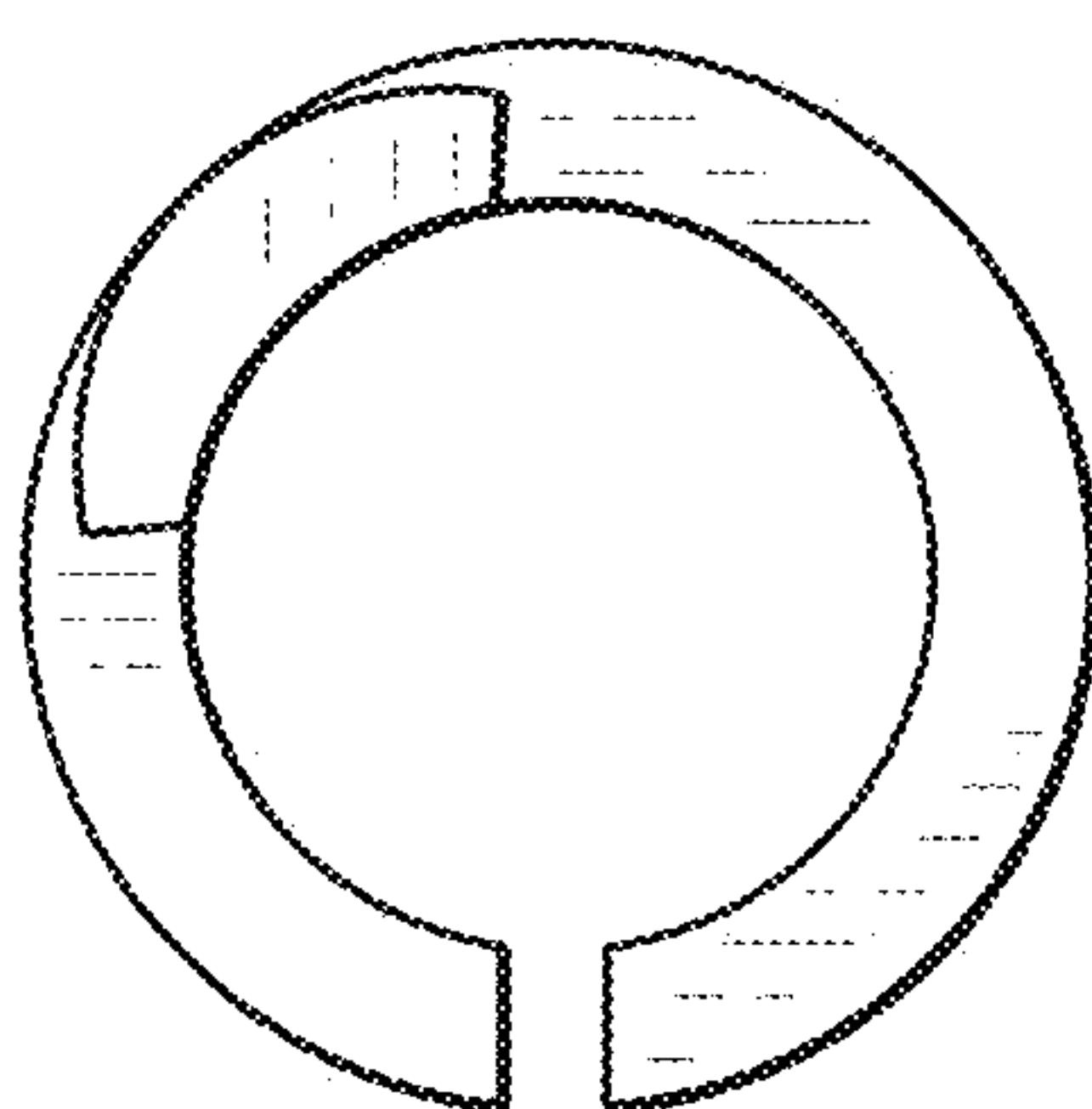


FIG. 9