



US00D902998S

(12) **United States Design Patent**
Wolter

(10) **Patent No.:** **US D902,998 S**

(45) **Date of Patent:** **** Nov. 24, 2020**

(54) **MARKER ATTACHMENT**

(71) Applicant: **Matthew Stephen Wolter**, Allston, MA
(US)

(72) Inventor: **Matthew Stephen Wolter**, Allston, MA
(US)

(**) Term: **15 Years**

(21) Appl. No.: **29/743,015**

(22) Filed: **Jul. 17, 2020**

(51) **LOC (12) Cl.** **19-06**

(52) **U.S. Cl.**
USPC **D19/202**

(58) **Field of Classification Search**
USPC D19/115-204; D14/411
CPC B43K 5/005; B43K 7/12; B43K 8/00;
B43K 8/02; B43K 8/04; B43K 8/06;
B43K 21/006; B43K 21/06; B43K 23/004
See application file for complete search history.

(56) **References Cited**

U.S. PATENT DOCUMENTS

53,622	A	4/1866	Hudson	
209,411	A *	10/1878	McGill	B26B 5/006 30/320
210,256	A	11/1878	Hoffman	
405,650	A	6/1889	Anderson	
549,579	A	11/1895	McDonald	
572,526	A	12/1896	Cuckson	
588,902	A *	8/1897	Einfeldt et al.	B43K 23/004 15/443
624,853	A	5/1899	Oberbeck	
677,944	A	7/1901	Coleman	
770,716	A	9/1904	Engel	
1,353,625	A *	9/1920	Brandenburg	B43K 8/00 401/184
1,478,049	A *	12/1923	Nelson	B43K 29/18 24/11 CC
1,763,327	A	6/1930	Richie	
D108,719	S *	3/1938	Morgan	D21/700
D196,993	S *	11/1963	Green	D19/190

D248,862	S *	8/1978	Miyamoto	D19/123
D248,863	S *	8/1978	Miyamoto	D19/123
5,082,385	A *	1/1992	Stewart	B43K 7/005 401/8
D368,738	S *	4/1996	Osada	D19/173
D385,914	S *	11/1997	Shimizu	D19/173

(Continued)

FOREIGN PATENT DOCUMENTS

JP S5395628 1/2014

OTHER PUBLICATIONS

Desmor Adapter Set Compatible with Sharpie for Cricut Joy by MW Precision Designs, with 27 ratings, \$12.95, ASIN: B08DV91QG8, Manufacturer: MW Precision Designs LLC, on Amazon.com, Date First Available: Jul. 29, 2020.*

Primary Examiner — Elizabeth A. Albert
(74) *Attorney, Agent, or Firm* — Walter J. Tencza, Jr.

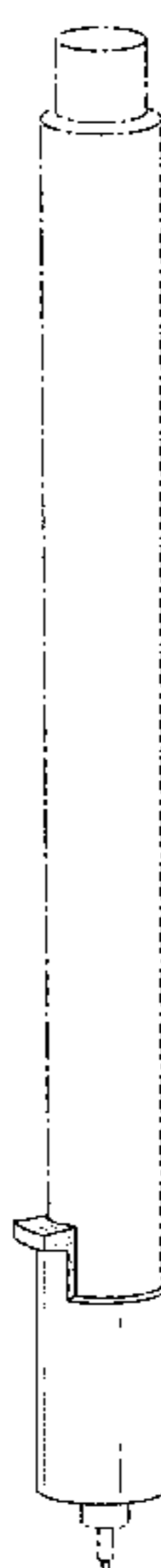
(57) **CLAIM**

I claim the ornamental design for the marker attachment, as shown and described.

DESCRIPTION

FIG. 1 is a front, top perspective view of the marker attachment showing my new design; FIG. 2 is a top and rear perspective view thereof; FIG. 3 is a bottom and rear perspective view thereof; FIG. 4 is a left side elevational view thereof; FIG. 5 is a right side elevational view thereof; FIG. 6 is a rear elevational view thereof; FIG. 7 is a front elevational view thereof; FIG. 8 is a top plan view thereof; and, FIG. 9 is a bottom plan view thereof. The broken lines showing a marker in FIG. 1 are included for the purpose of illustrating environmental matter that forms no part of the claimed design.

1 Claim, 6 Drawing Sheets



(56)

References Cited

U.S. PATENT DOCUMENTS

5,913,629	A	6/1999	Hazzard	
D426,378	S *	6/2000	Cohen	D3/215
D433,704	S *	11/2000	Kouda	D19/174
D458,933	S *	6/2002	Schneider	D14/411
D470,780	S *	2/2003	Hsieh	D10/73
D493,836	S *	8/2004	Cegelski	D19/197
D545,900	S *	7/2007	Gerules	D19/174
D597,547	S *	8/2009	Smith	D14/411
D616,447	S *	5/2010	Smith	D14/411
7,806,616	B2 *	10/2010	Greenberg	B43K 21/006 401/195
D645,082	S *	9/2011	Ponticello	D19/158
D645,506	S *	9/2011	Hung	D19/117
D652,445	S	1/2012	Burton et al.	
D670,761	S *	11/2012	Fleming	D19/173
D681,731	S *	5/2013	Yasunaga	D19/194
D682,939	S *	5/2013	Larson	D19/197
D718,311	S *	11/2014	Burke	D14/411
9,675,159	B2	6/2017	Bitoh	
D843,452	S *	3/2019	Marshall	D19/203
D845,301	S *	4/2019	Chu	D14/411
D852,887	S *	7/2019	Mitchell	D19/197
D877,214	S	3/2020	Crisp et al.	
2007/0048061	A1 *	3/2007	Travers	B65D 75/366 401/6
2012/0318707	A1 *	12/2012	Zivitz	B43K 29/007 206/575
2018/0037050	A1 *	2/2018	Marshall	B43K 23/008

* cited by examiner

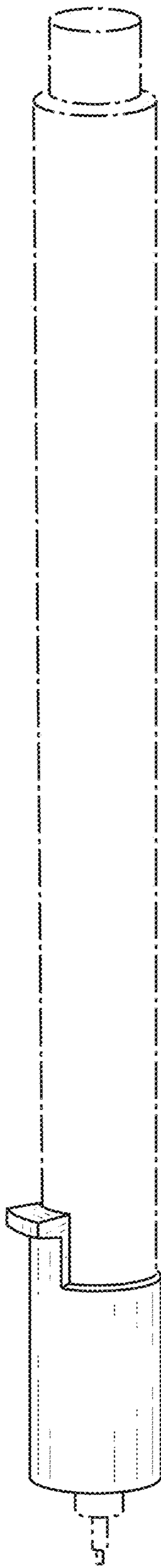


FIG. 1

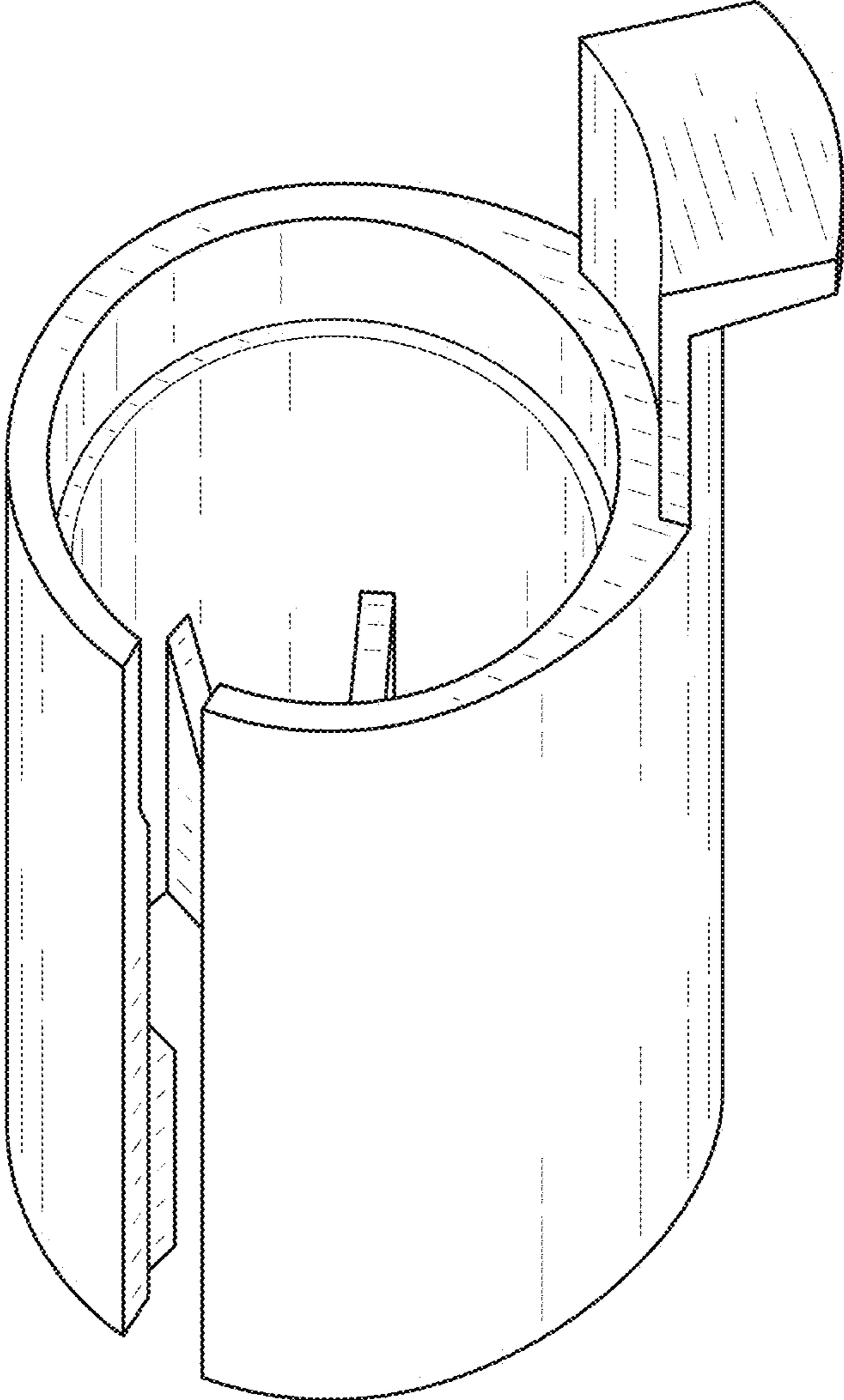


FIG. 2

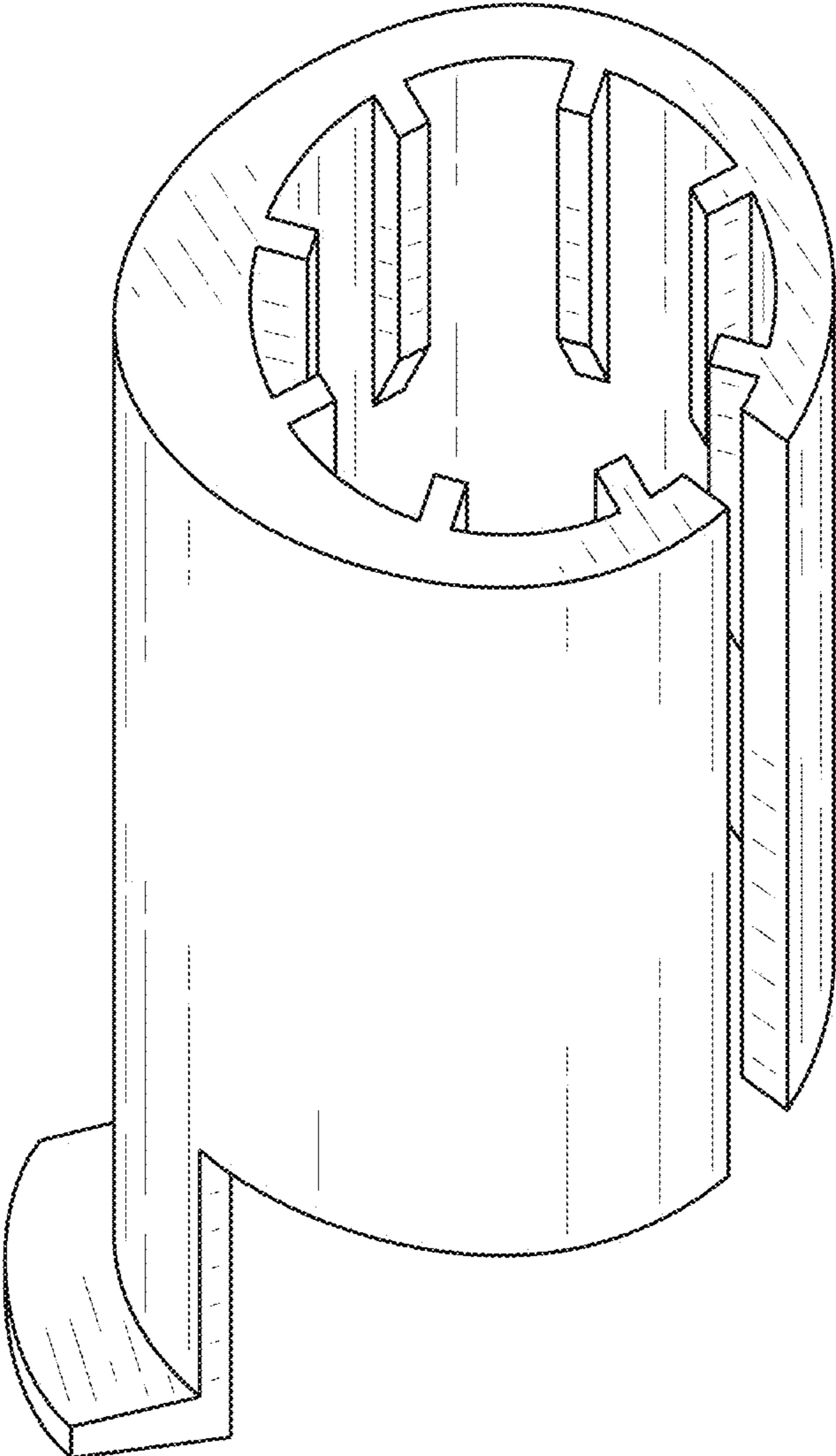


FIG. 3

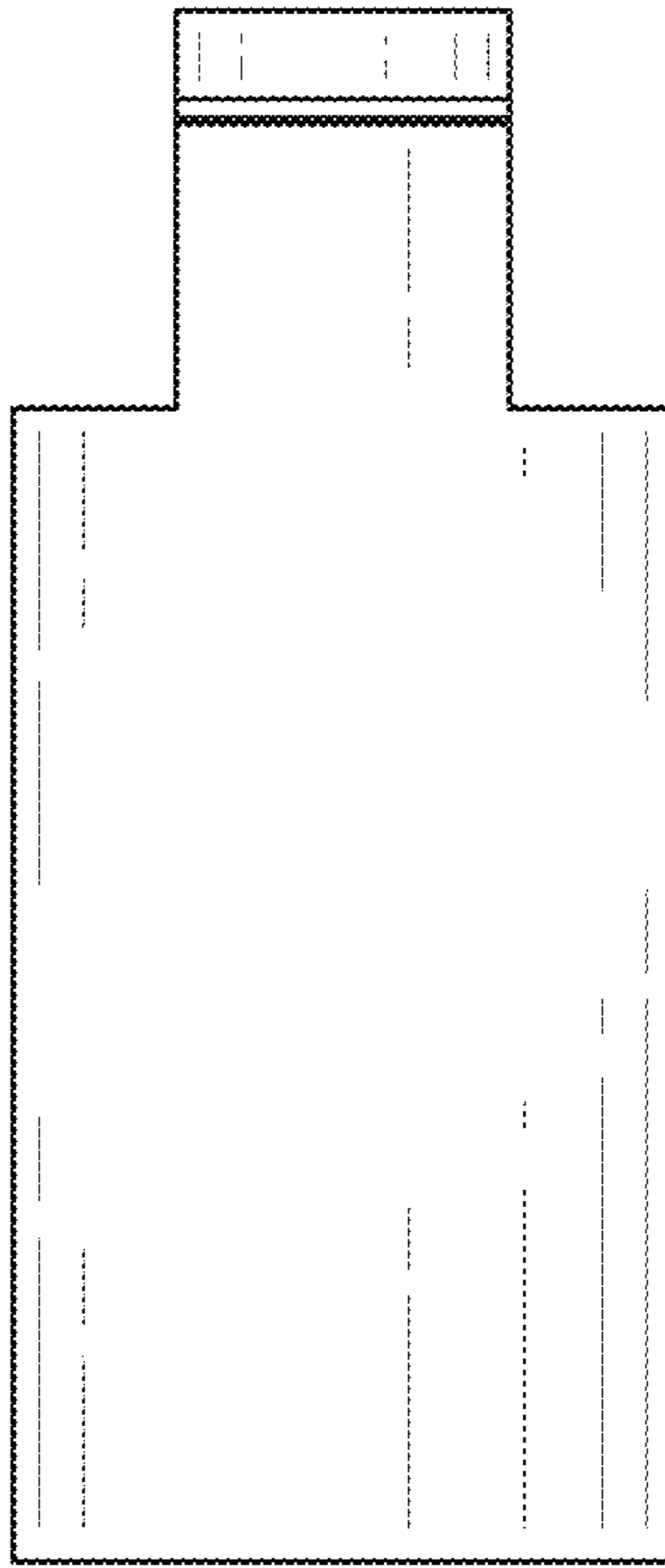


FIG. 4

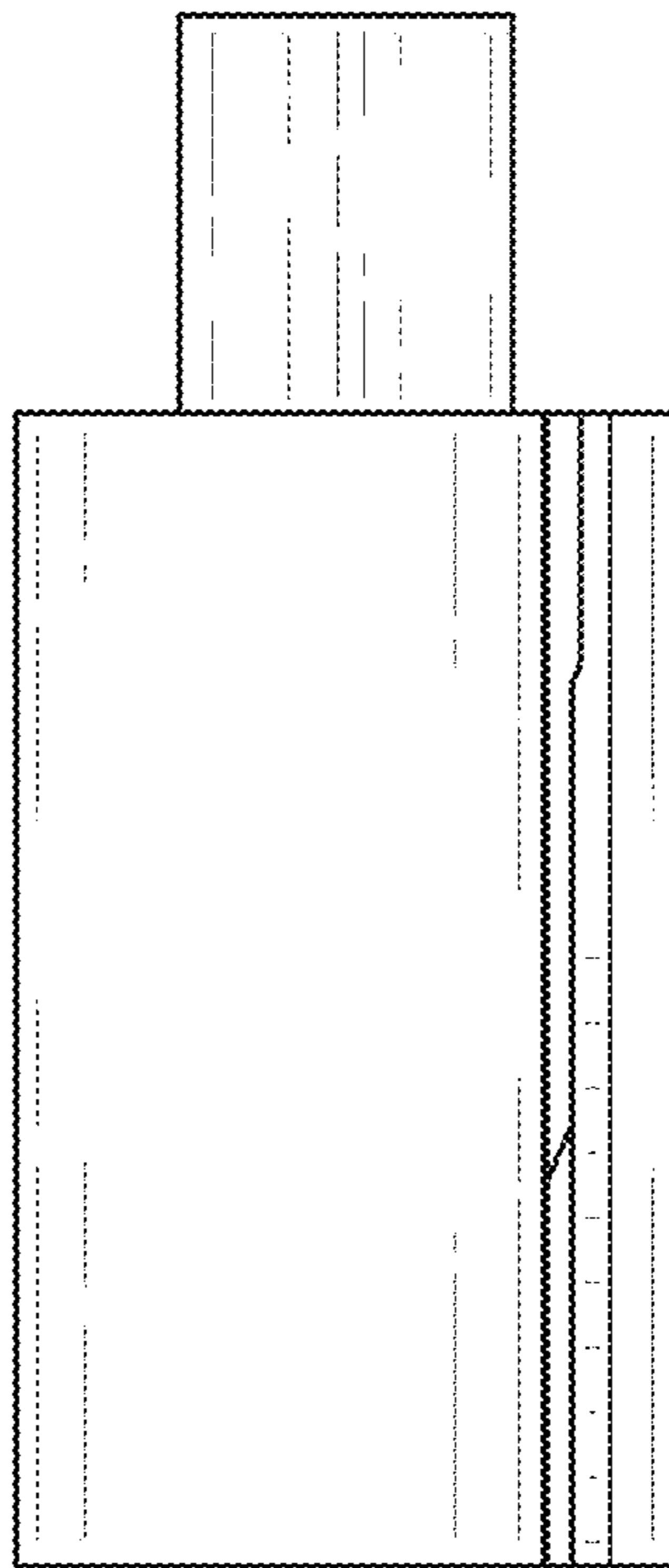


FIG. 5

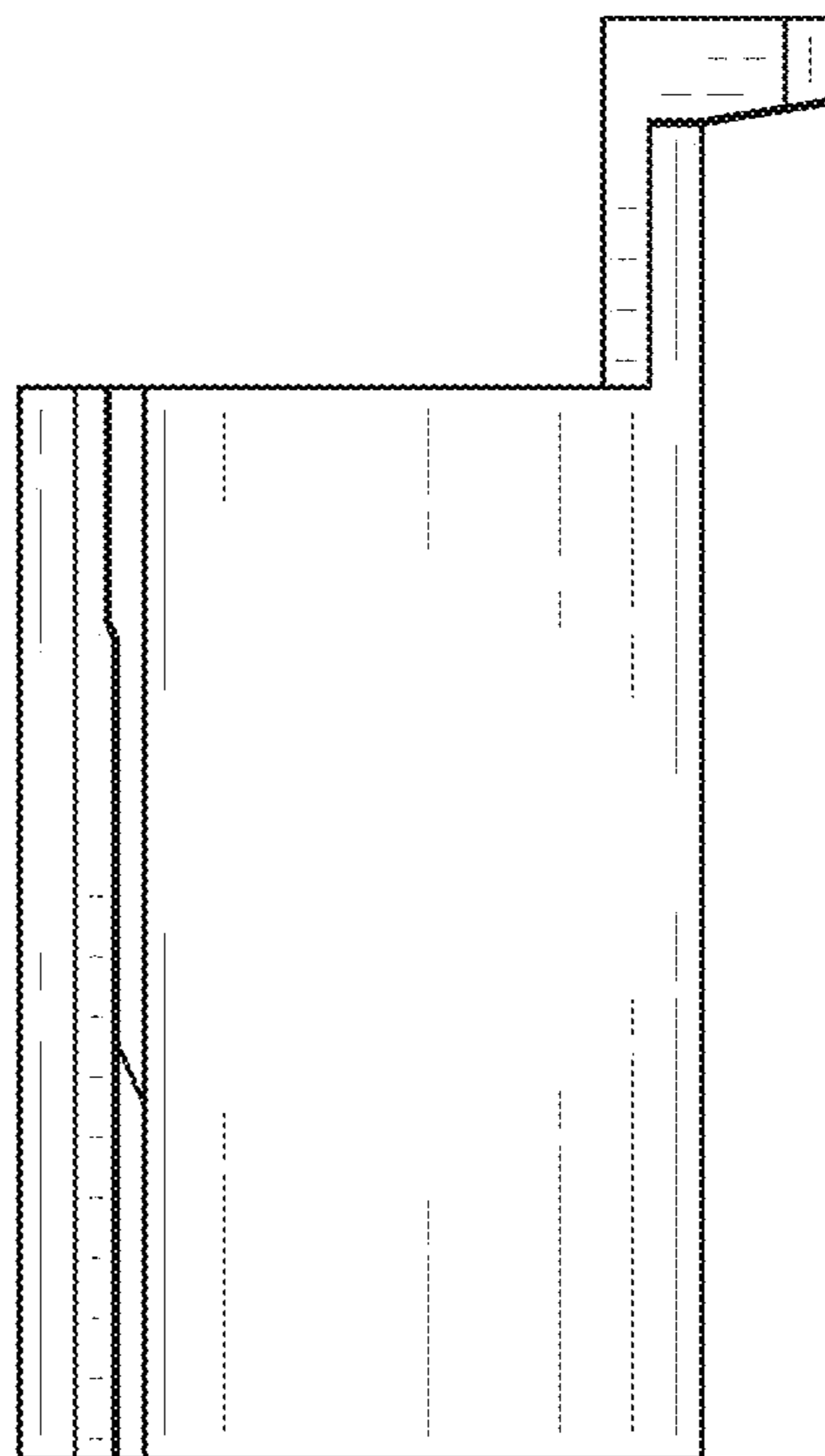


FIG. 6

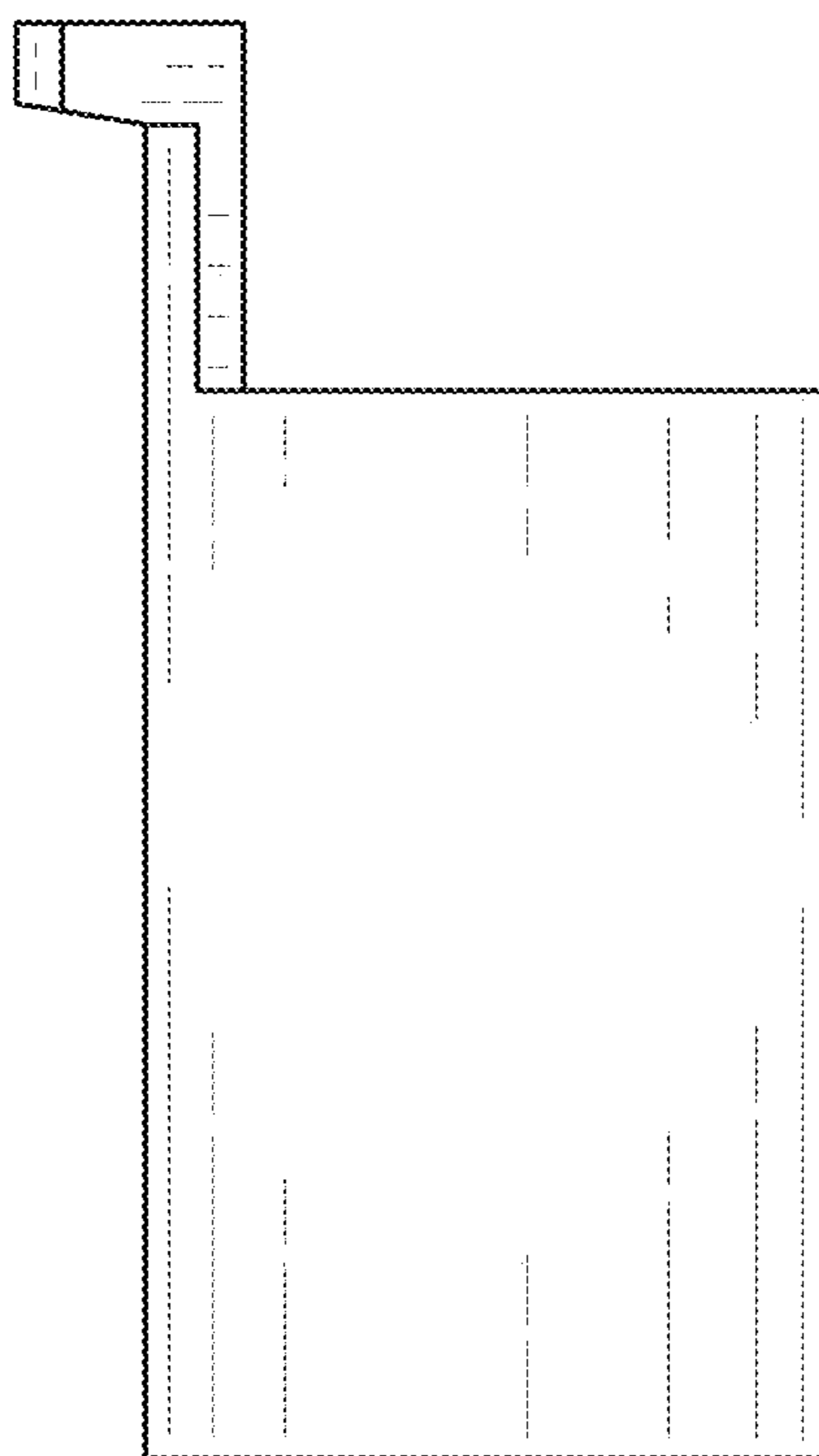


FIG. 7

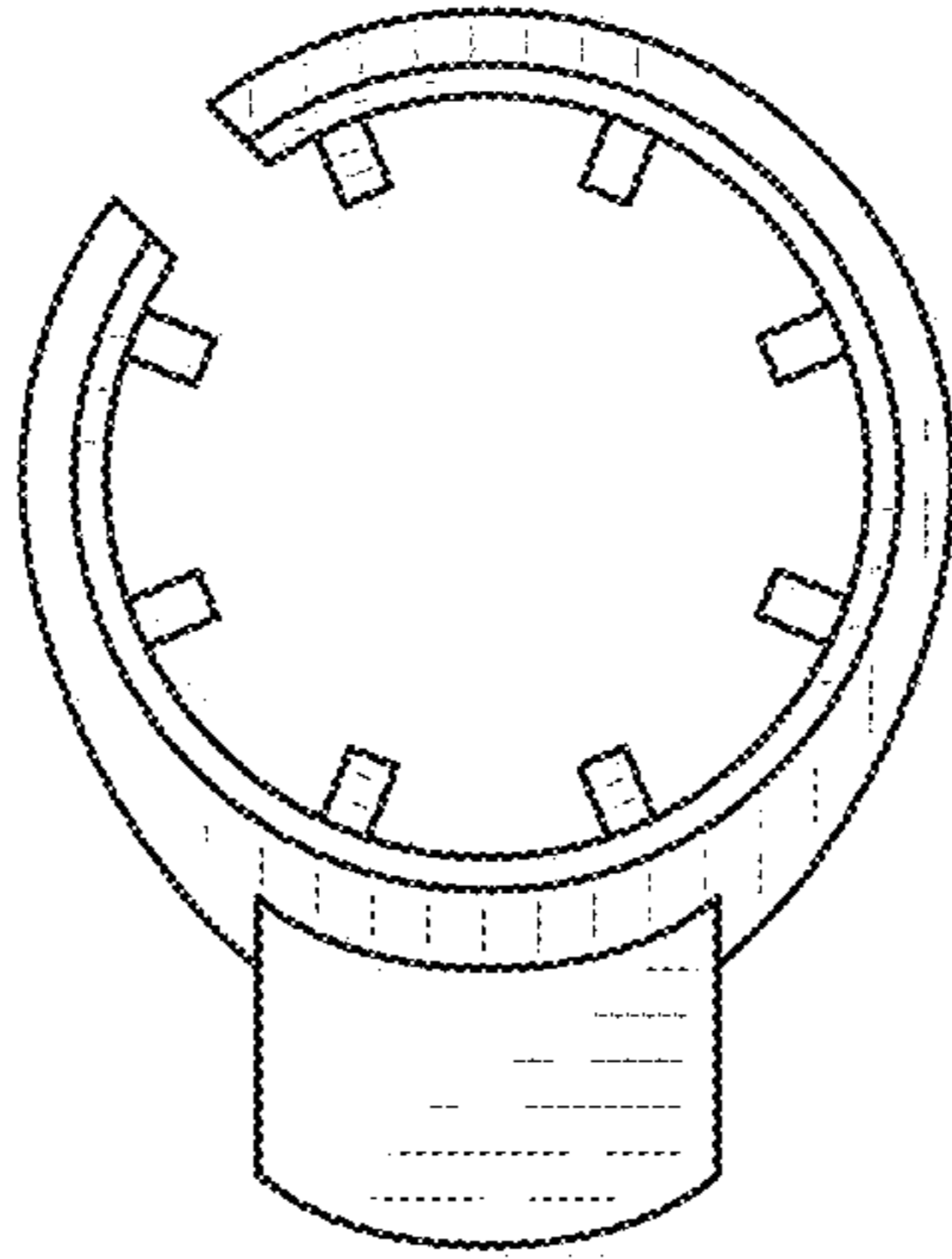


FIG. 8

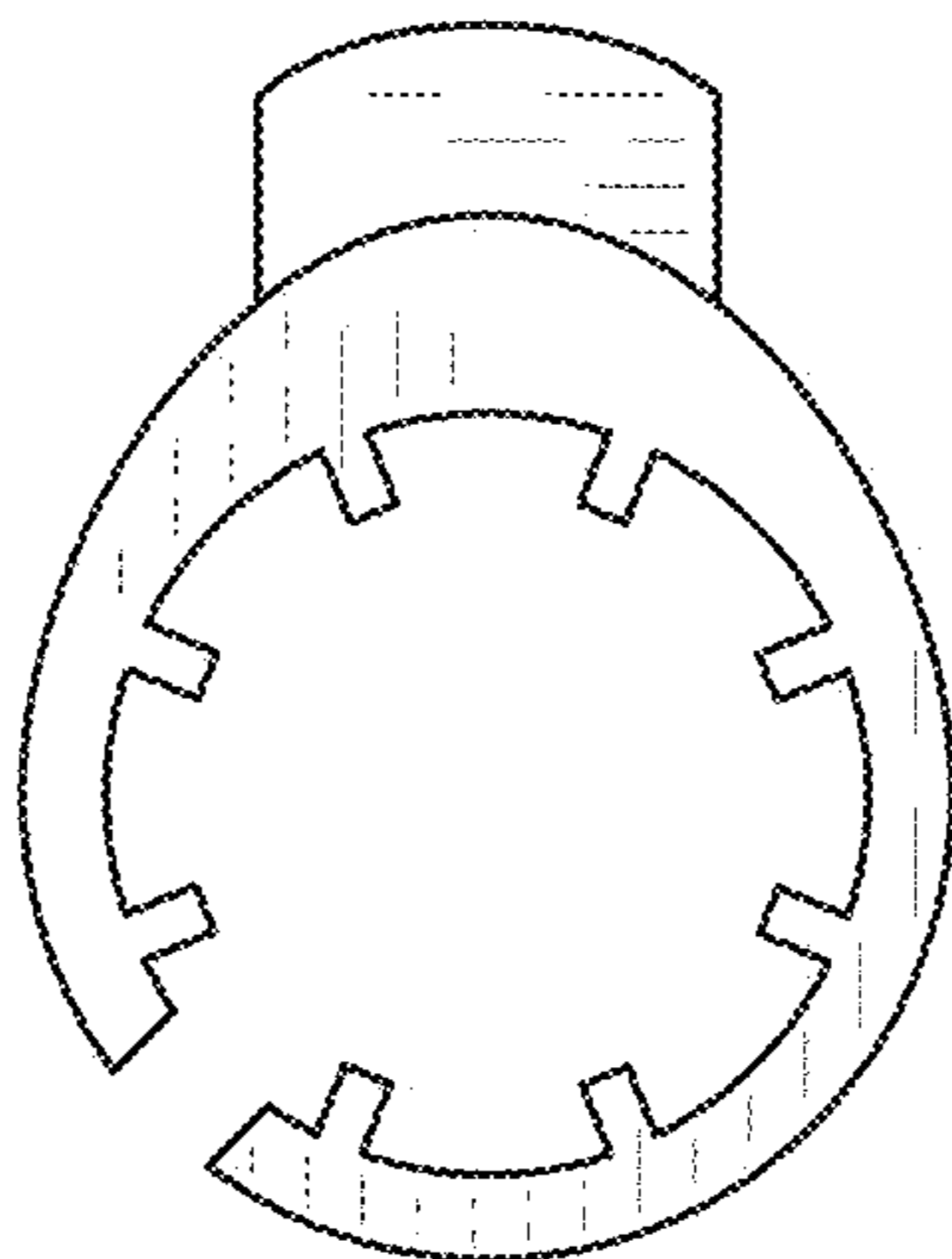


FIG. 9