



US00D902990S

(12) **United States Design Patent** (10) **Patent No.:** **US D902,990 S**
Yamada et al. (45) **Date of Patent:** **** Nov. 24, 2020**

(54) **MOBILE PRINTER**

FOREIGN PATENT DOCUMENTS

(71) Applicants: **Kazuyoshi Yamada**, Ohta-ku (JP);
Naoto Tsuruoka, Ohta-ku (JP);
Kunihiko Nishioka, Ohta-ku (JP);
Yasunari Harada, Ohta-ku (JP)

CN 304642784 * 5/2018
DE 49809641-0001 * 5/1999

(Continued)

(72) Inventors: **Kazuyoshi Yamada**, Ohta-ku (JP);
Naoto Tsuruoka, Ohta-ku (JP);
Kunihiko Nishioka, Ohta-ku (JP);
Yasunari Harada, Ohta-ku (JP)

OTHER PUBLICATIONS

Ricoh. Link: <https://www.ricoh.com/technology/design/designers/ricoh-handy-printer/>. Visited Mar. 3, 2020. Product Designer Kanako Ishigure. (Year: 2020).*

(Continued)

(73) Assignee: **Ricoh Company, Ltd.**, Tokyo (JP)

Primary Examiner — Lauren D McVey

(**) Term: **15 Years**

(74) *Attorney, Agent, or Firm* — Oblon, McClelland, Maier & Neustadt, L.L.P.

(21) Appl. No.: **29/681,162**

(22) Filed: **Feb. 22, 2019**

(30) **Foreign Application Priority Data**

Sep. 6, 2018 (JP) 2018-019464

(51) **LOC (12) Cl.** **18-99**

(52) **U.S. Cl.**
USPC **D18/19**

(58) **Field of Classification Search**
USPC D18/14, 19, 50, 53, 54, 55, 56, 59, 36,
D18/37, 38, 39, 40, 41, 45; D19/65, 66,
D19/67, 68, 69, 70, 71; D14/301, 307,
D14/121
CPC H04N 1/00204; H04N 1/00249; H04N
1/00278; G06K 15/12; G06K 15/14; B41J
3/00; B41J 3/28; B41J 3/445; B41J 3/46;
G06F 3/12; G06F 3/1292
See application file for complete search history.

(56) **References Cited**

U.S. PATENT DOCUMENTS

D168,329 S * 12/1952 Blum D10/72
D306,612 S * 3/1990 Kahler D19/67

(Continued)

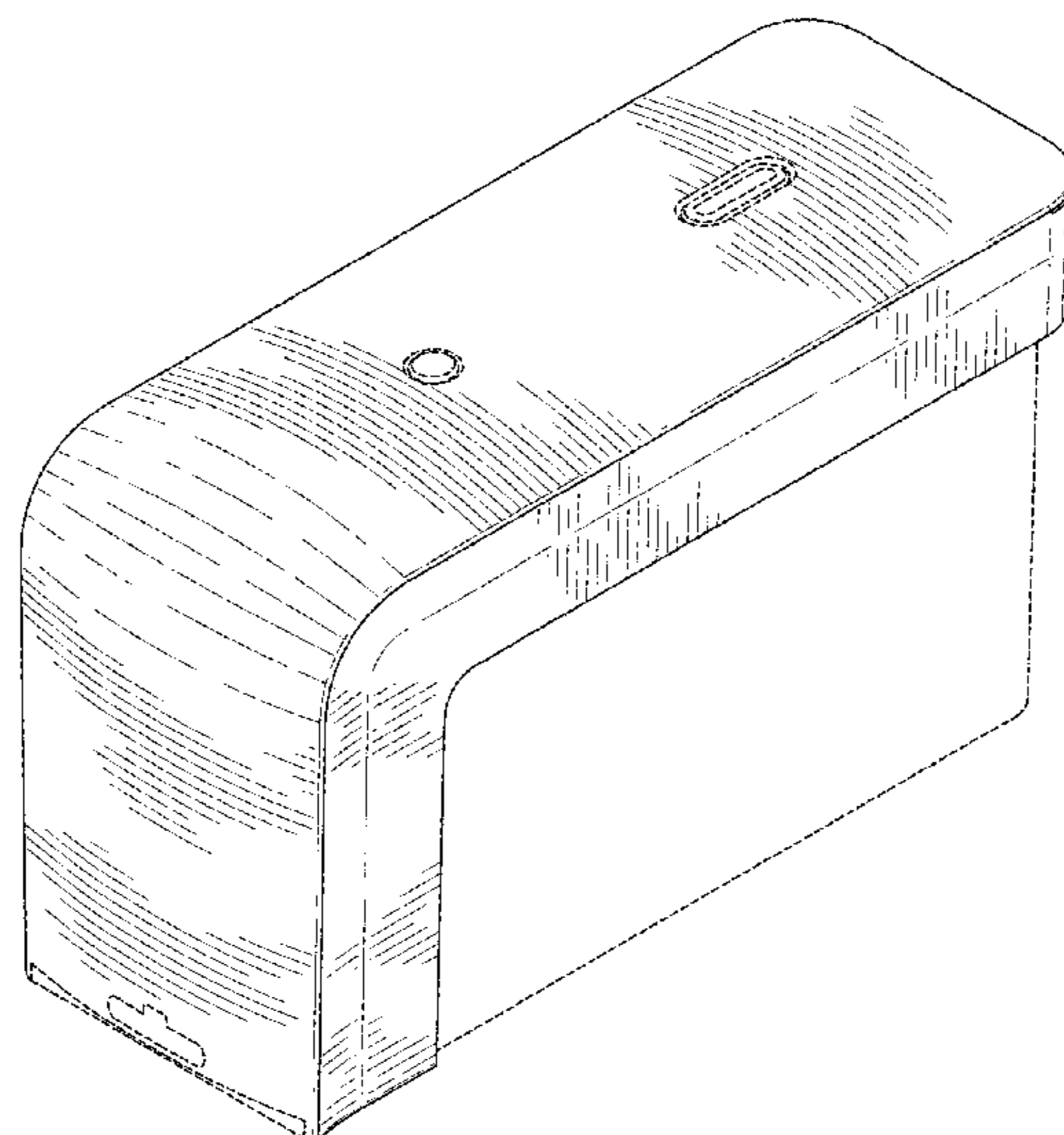
(57) **CLAIM**

The ornamental design for a mobile printer, as shown and described.

DESCRIPTION

FIG. 1 is a front, bottom, and right side perspective view of a mobile printer;
FIG. 2 is a rear, top, and left side perspective view thereof;
FIG. 3 is a front elevational view thereof;
FIG. 4 is a rear elevational view thereof;
FIG. 5 is a top plan view thereof;
FIG. 6 is a bottom plan view thereof;
FIG. 7 is a left side elevational view thereof; and,
FIG. 8 is a right side elevational view thereof.
The broken lines immediately adjacent the shaded areas depict the bounds of the claimed design, while all other broken lines are directed to environment. In addition, the unshaded surfaces that directly adjoin the claimed solid line edges form no part of the claimed design. The broken lines form no part of the claimed design.

1 Claim, 8 Drawing Sheets



(56)

References Cited

U.S. PATENT DOCUMENTS

D556,822 S * 12/2007 Hong D18/50
 D630,251 S * 1/2011 Cohen D19/69
 D641,394 S * 7/2011 Inada D18/50
 D660,354 S * 5/2012 Plummer D18/56
 D763,957 S * 8/2016 Kohno D18/53
 D771,182 S * 11/2016 Takahashi D18/50
 D775,275 S * 12/2016 Takahashi D18/50
 D876,533 S * 2/2020 Nanno D18/19
 2011/0217109 A1 * 9/2011 Cronin B41J 13/12
 400/624
 2015/0144015 A1 * 5/2015 Faber B41J 2/16508
 101/333
 2018/0361761 A1 * 12/2018 Okeguchi B41J 11/0095
 2020/0079109 A1 * 3/2020 Ota B41J 3/36
 2020/0079110 A1 * 3/2020 Hirata B41J 3/36
 2020/0079112 A1 * 3/2020 Osanai B41J 3/36
 2020/0094548 A1 * 3/2020 Nishioka B41J 2/04563
 2020/0096897 A1 * 3/2020 Ota G03G 15/0409
 2020/0101763 A1 * 4/2020 Ishida B41J 3/36

FOREIGN PATENT DOCUMENTS

EP 3539786 A1 * 9/2019 B41J 3/4073
 EP 3539787 A1 * 9/2019 B41J 29/38
 EP 3539788 A1 * 9/2019 B41J 3/36
 EP 3620305 A1 * 3/2020 B41J 3/36
 WO WO-2014000010 A1 * 1/2014 B41K 1/36
 WO WO-2014063177 A1 * 5/2014 B41J 2/17526

OTHER PUBLICATIONS

Quietnets. Link: <https://quietnets.com/products/the-worlds-smallest-mobile-color-printer?variant=31648590135392¤cy=USD>. Visited Mar. 3, 2020. The World's Smallest Mobile Color Printer. (Year: 2020).*

3dprint. Link: <https://3dprint.com/218515/tiertime-up-mini-2-es-available/>. Jul. 5, 2018. Tiertime's UP mini 2 ES 3D Printer Now Available in the United States and Europe. (Year: 2018).*

* cited by examiner

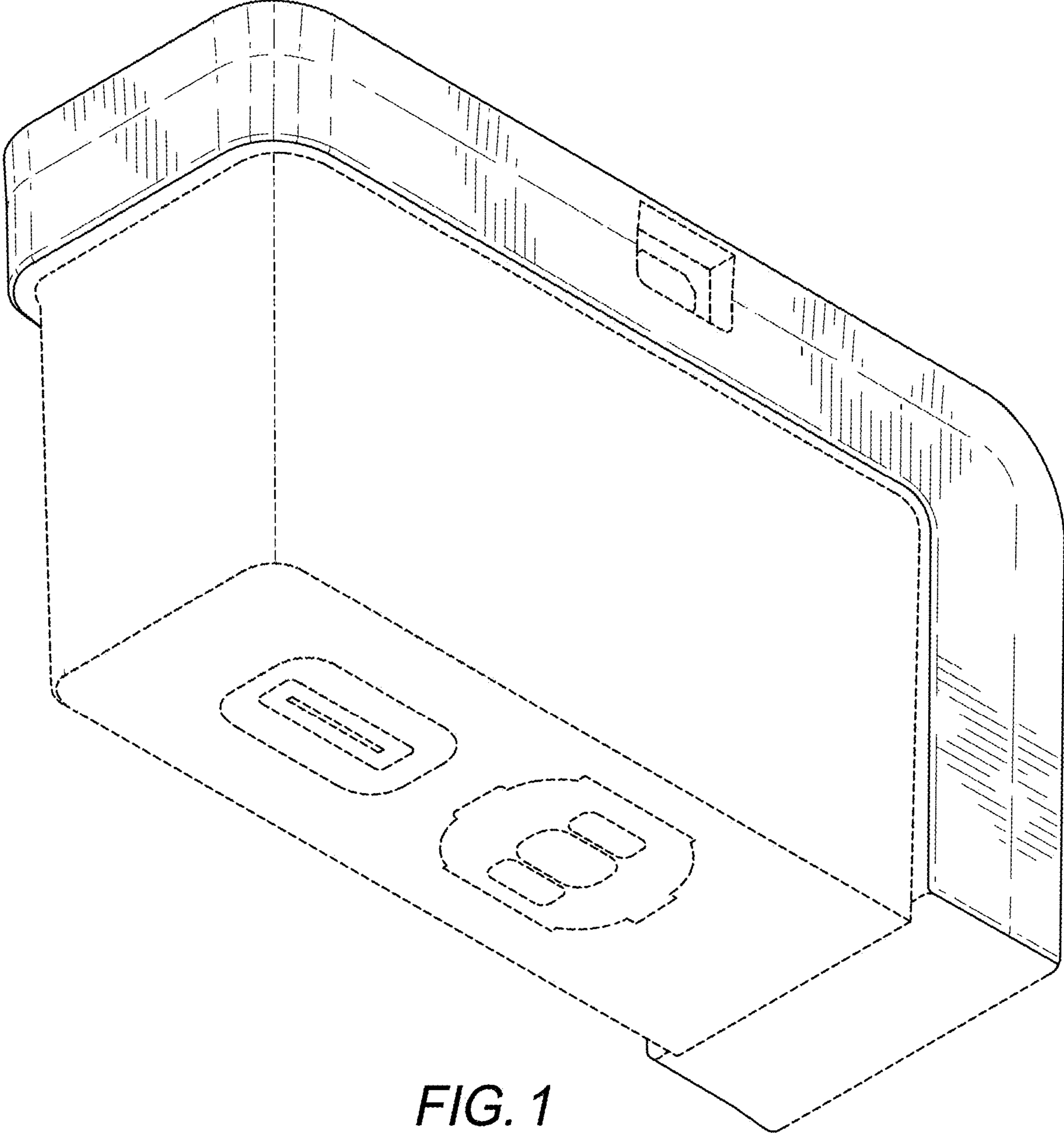


FIG. 1

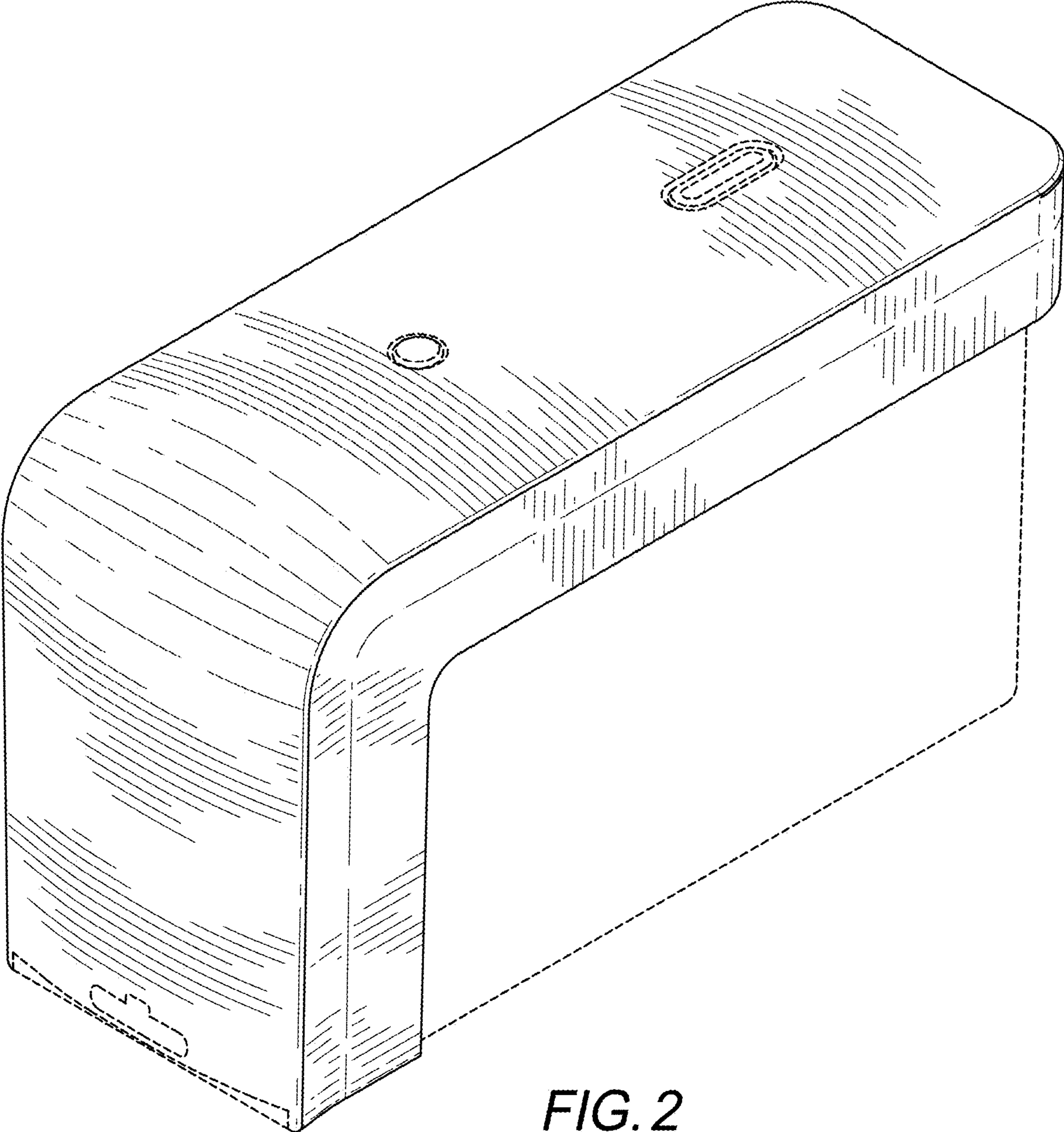


FIG. 2

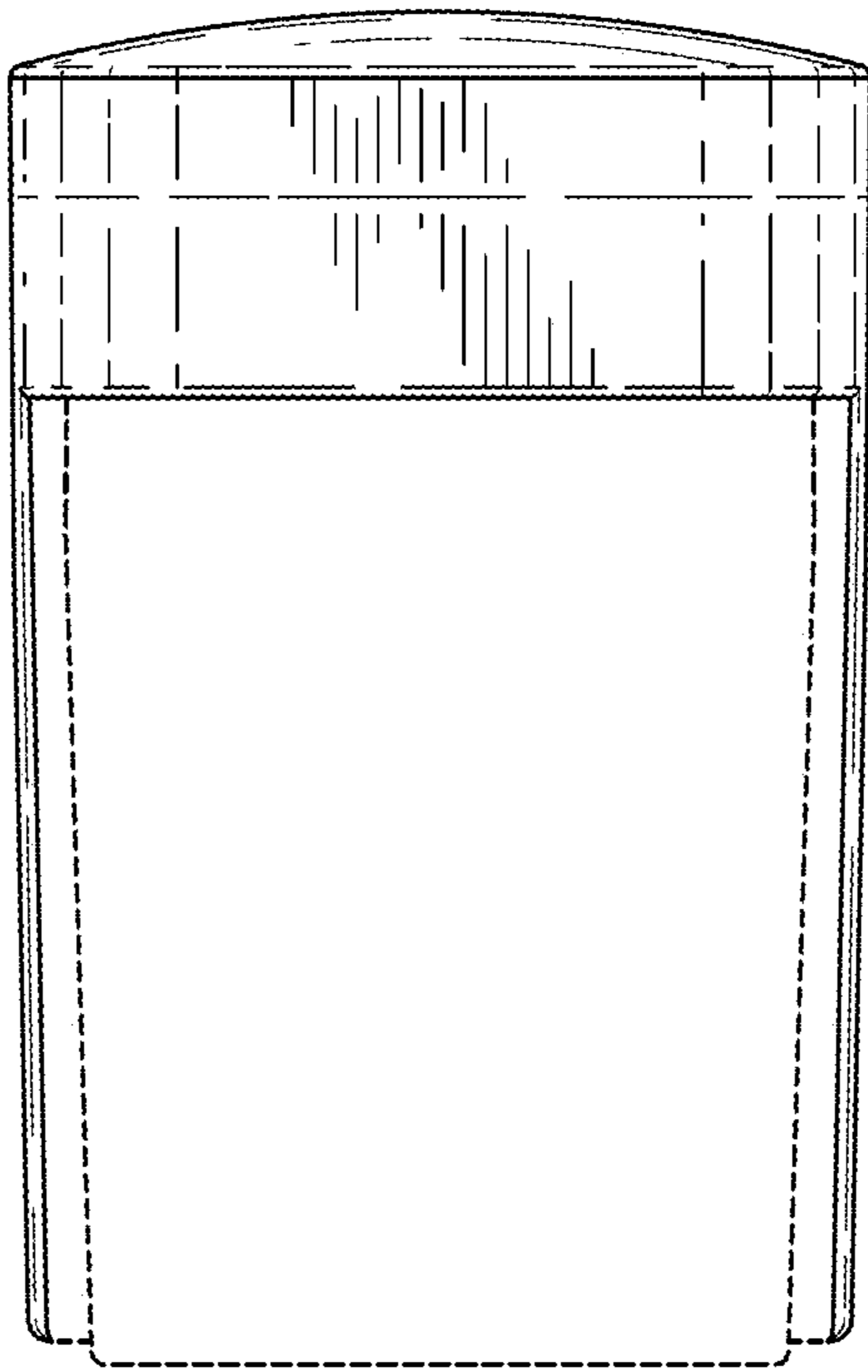


FIG. 3

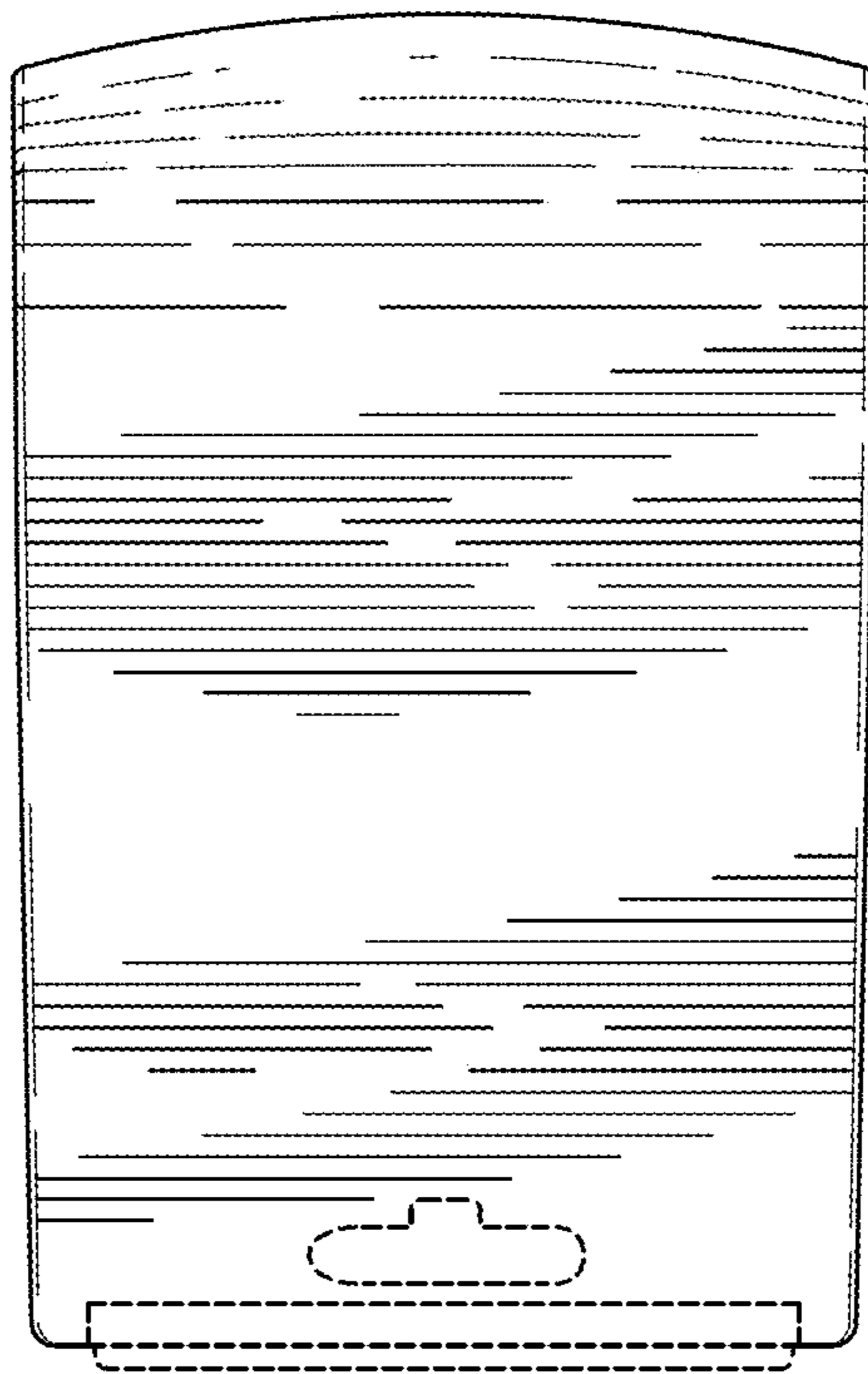


FIG. 4

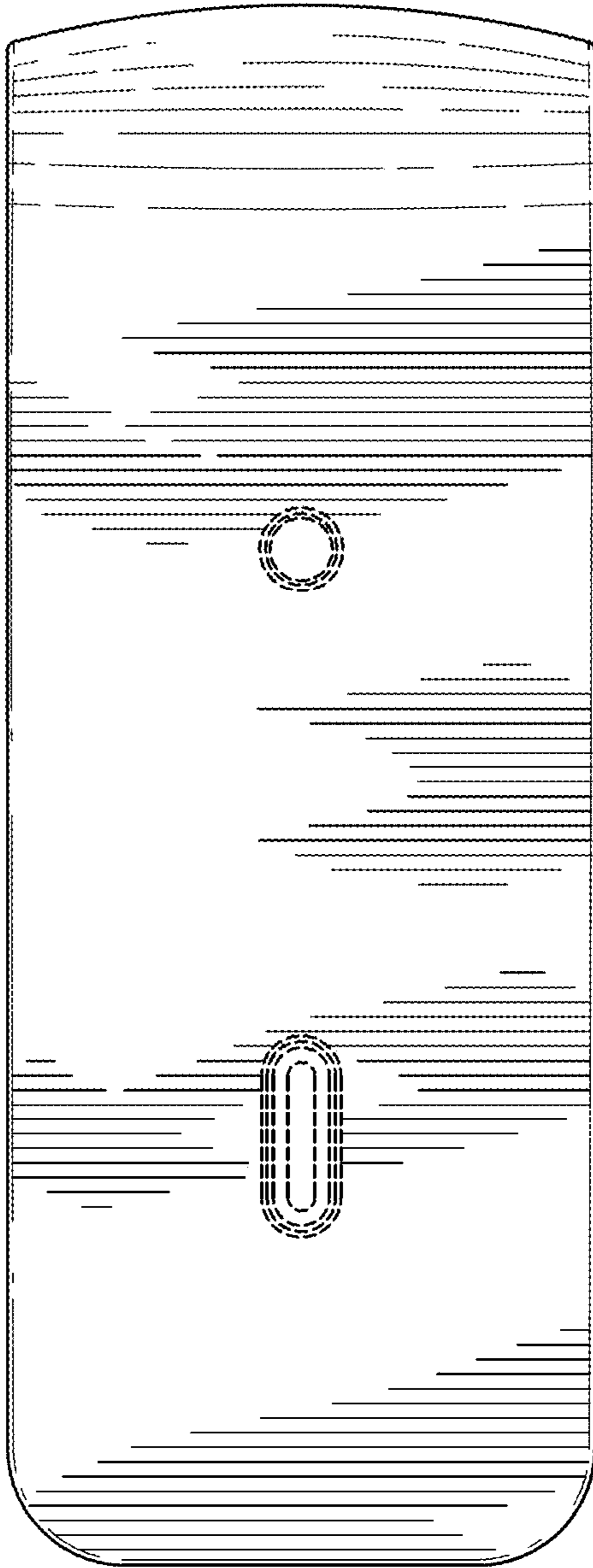


FIG. 5

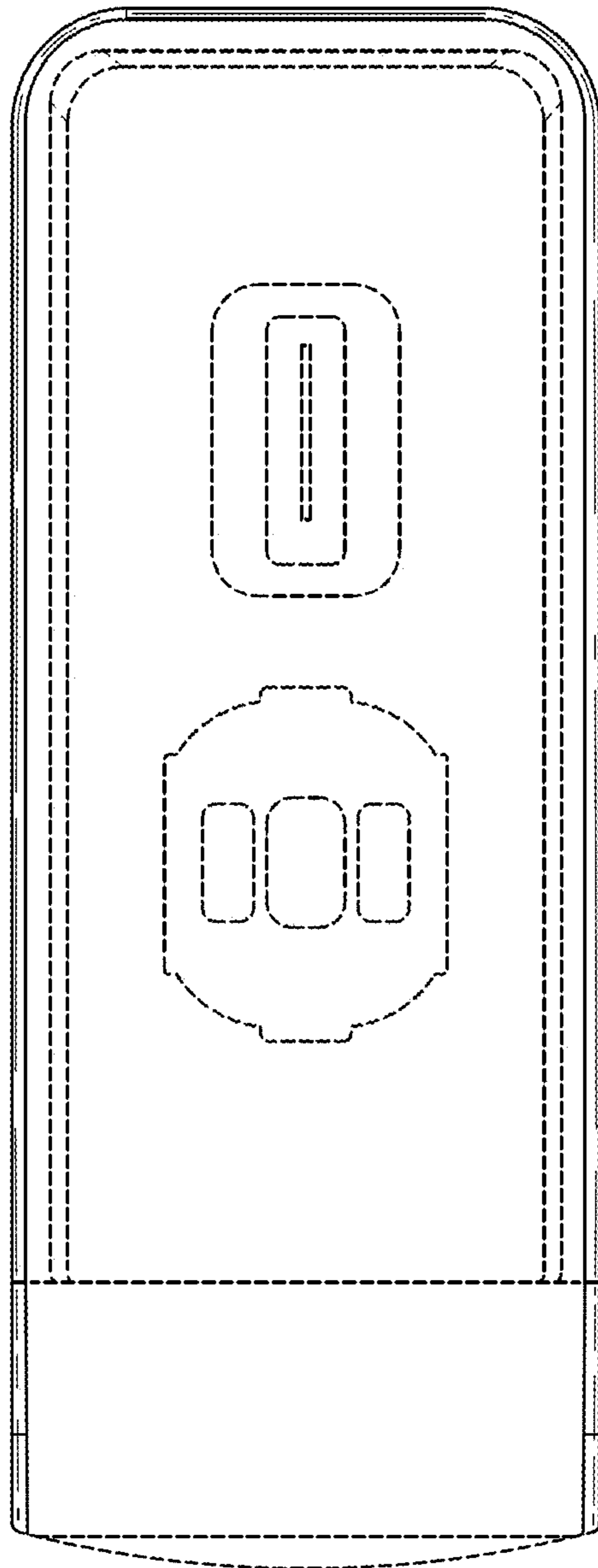


FIG. 6

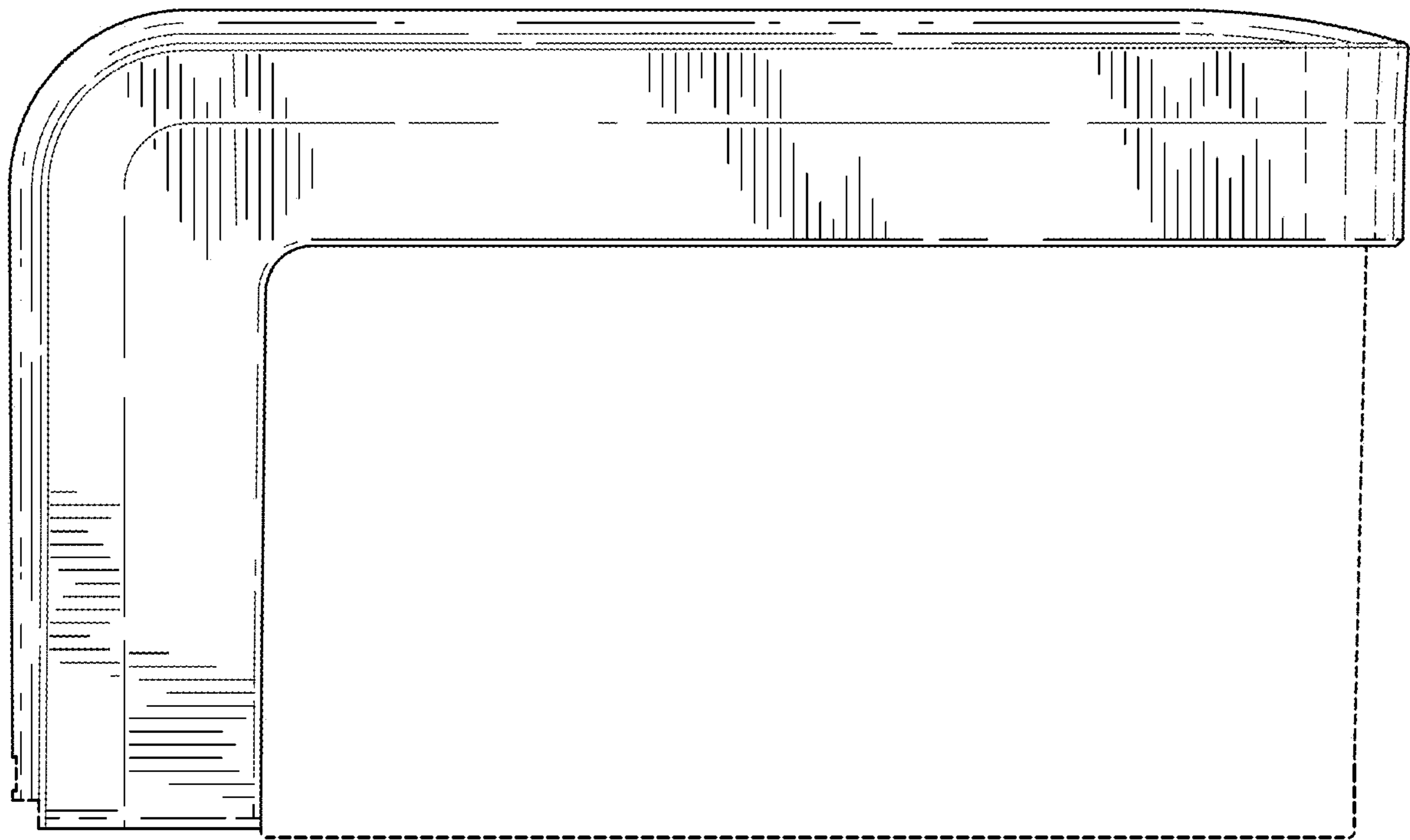


FIG. 7

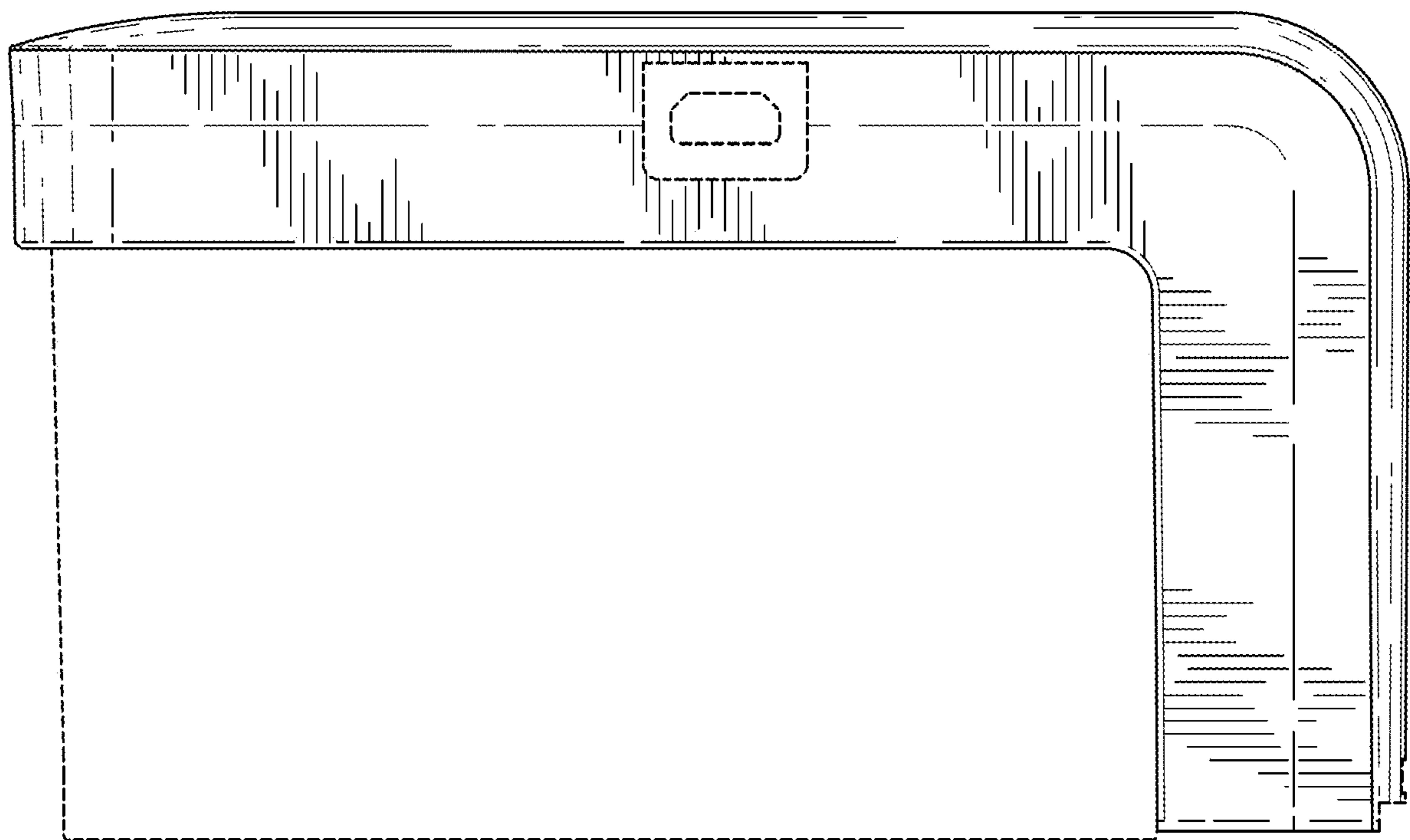


FIG. 8