



US00D902987S

(12) **United States Design Patent**
Liu

(10) **Patent No.:** **US D902,987 S**

(45) **Date of Patent:** **** Nov. 24, 2020**

(54) **PHONE TRIPOD**

D893,582 S * 8/2020 Vitale D16/244
D896,302 S * 9/2020 Chen D16/244
D898,107 * 10/2020 Tan D16/243

(71) Applicant: **Shenzhen Pangshi Technology Co., Ltd.**, Guangdong (CN)

(72) Inventor: **Futang Liu**, Guangdong (CN)

(73) Assignee: **Shenzhen Pangshi Technology Co., Ltd.**, Guangdong (CN)

(**) Term: **15 Years**

(21) Appl. No.: **29/746,009**

(22) Filed: **Aug. 11, 2020**

(51) **LOC (12) Cl.** **16-05**

(52) **U.S. Cl.**
USPC **D16/244; D14/253**

(58) **Field of Classification Search**
USPC D16/242–245; D14/224, 229, 238, 251, D14/253
CPC G03B 17/56; G03B 17/561–566
See application file for complete search history.

(56) **References Cited**

U.S. PATENT DOCUMENTS

D607,036 S * 12/2009 Darrow D16/242
D607,917 S * 1/2010 Darrow D16/244
D778,975 S 2/2017 Minn et al.
D835,705 S 12/2018 Chun
D843,435 S * 3/2019 Balmer D16/244
D868,142 S * 11/2019 Li D16/244
D870,800 S * 12/2019 Xu D16/244
D881,981 S * 4/2020 Li D16/244

OTHER PUBLICATIONS

Tripod for iPhone, COMAN Flexible Camera Tripod, Hidden Phone Tripod Mount with Cold Shoe, Waterproof Tripod Stand for GoPro . . . [online] Retrieved Oct. 6, 2020 from URL: https://www.amazon.com/COMAN-Flexible-Adjustable-Universal-Compatible/dp/B081YPWLJZ/ref=sr_1_27?dchild=1&keywords=mini+tripod+with+ball+joint+for+phon.*

* cited by examiner

Primary Examiner — Vy N Koenig

(74) *Attorney, Agent, or Firm* — ScienBiziP, P.C.

(57) **CLAIM**

The ornamental design for a phone tripod, as shown and described.

DESCRIPTION

FIG. 1 is a front perspective view of a phone tripod, showing my design.

FIG. 2 is a front elevation view thereof.

FIG. 3 is a rear elevation view thereof.

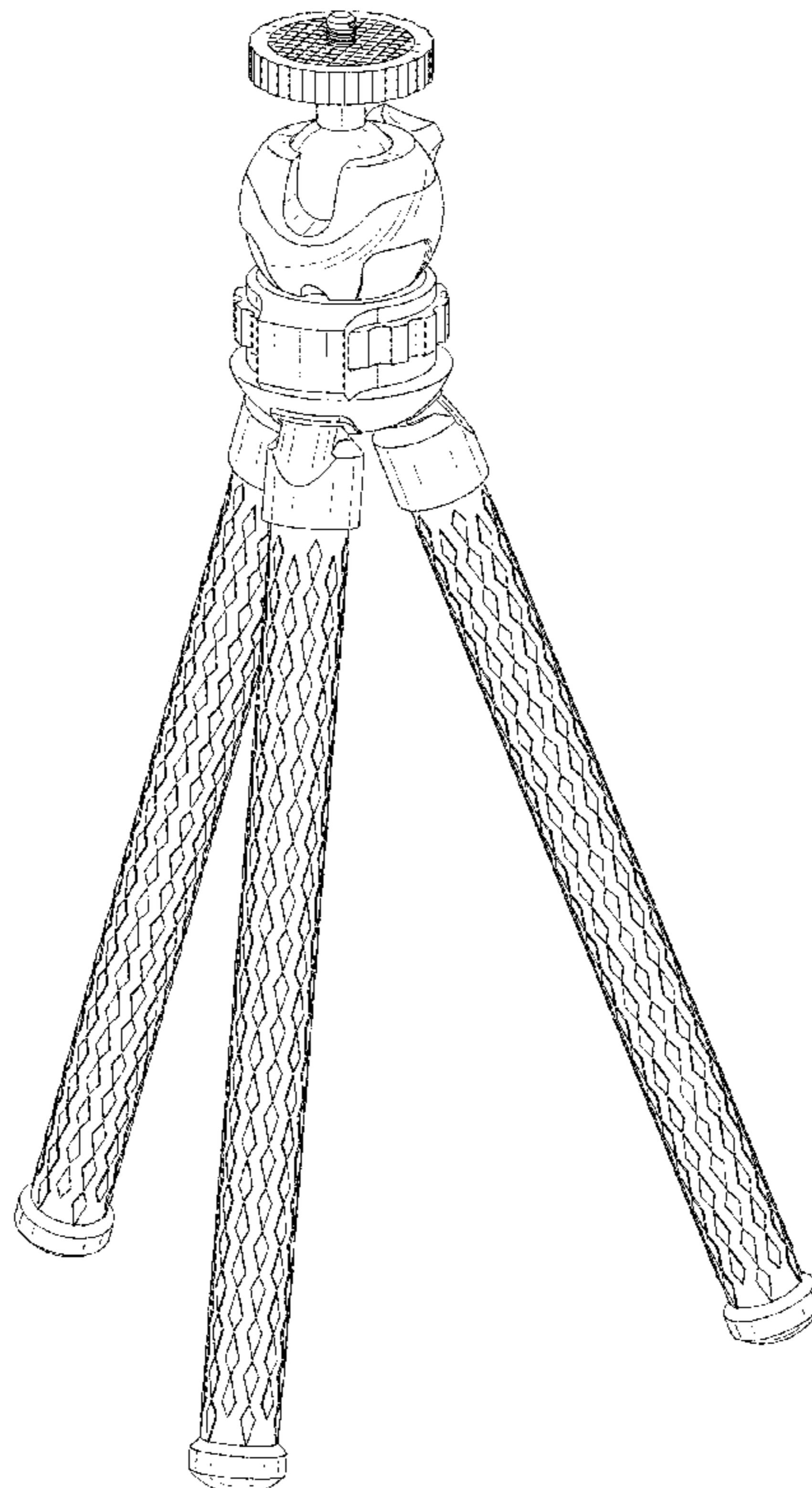
FIG. 4 is a left side elevation view thereof.

FIG. 5 is a right side elevation view thereof.

FIG. 6 is a top plan view thereof; and,

FIG. 7 is a bottom plan view thereof.

1 Claim, 7 Drawing Sheets



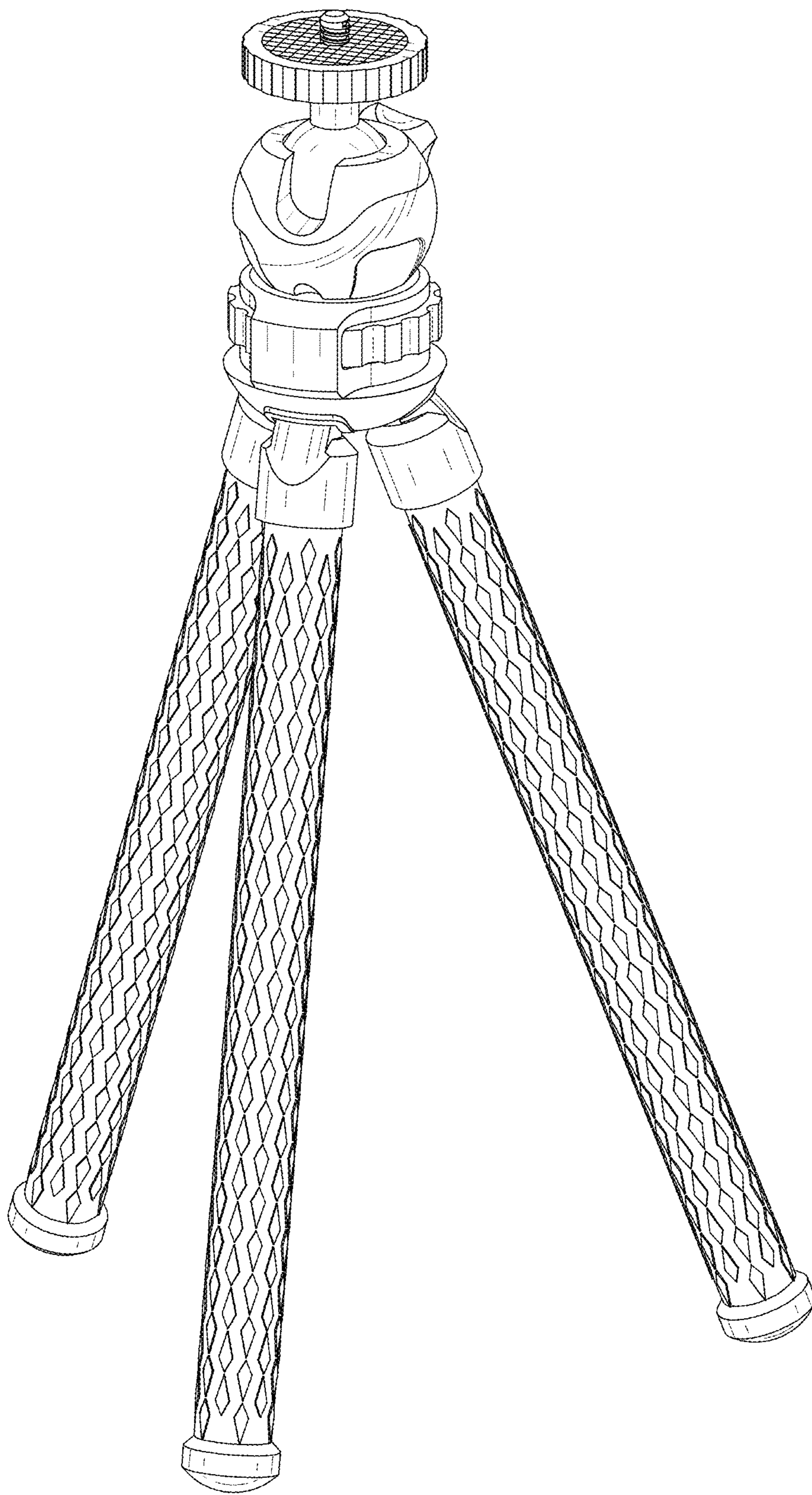


FIG.1

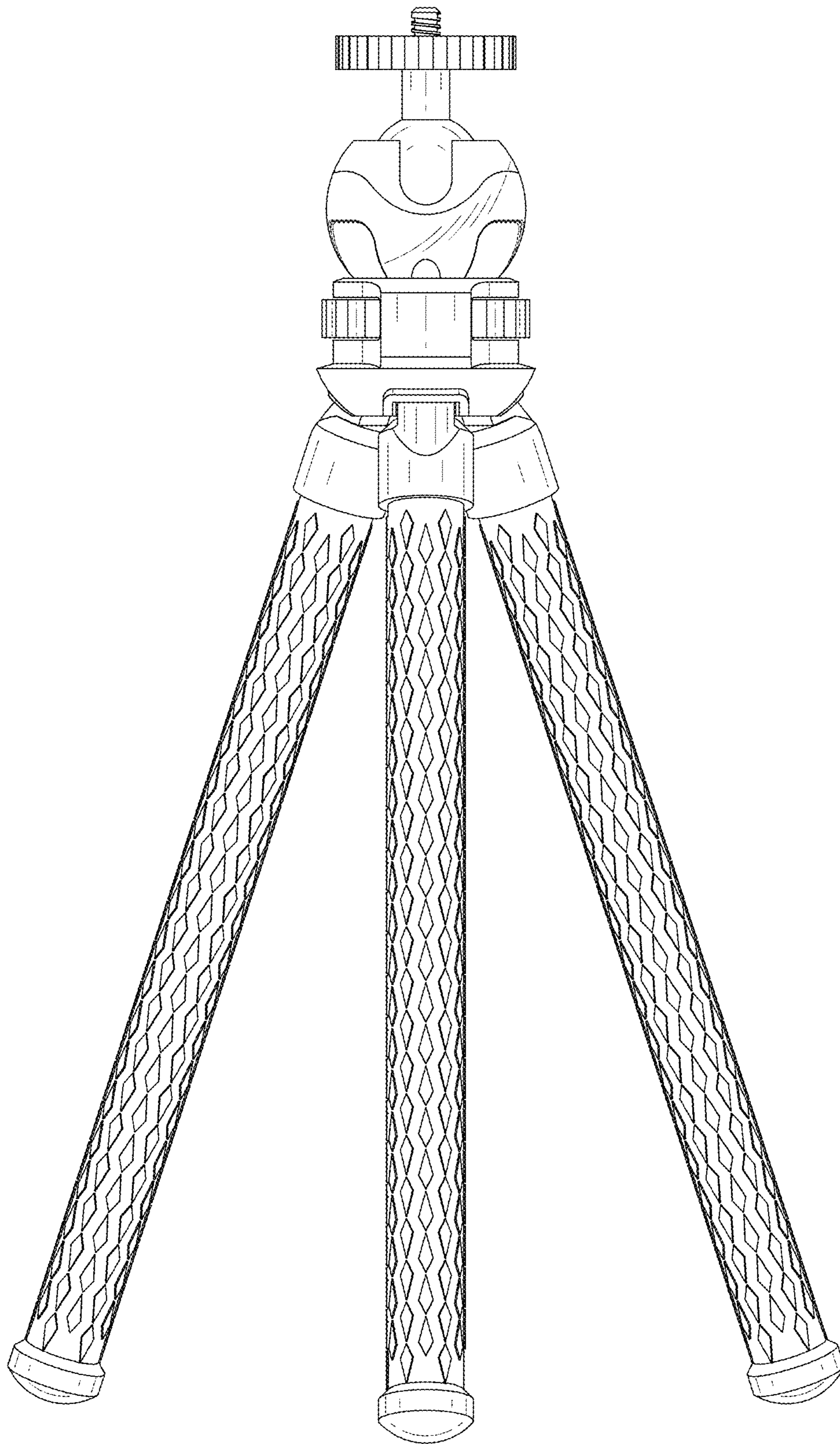


FIG.2

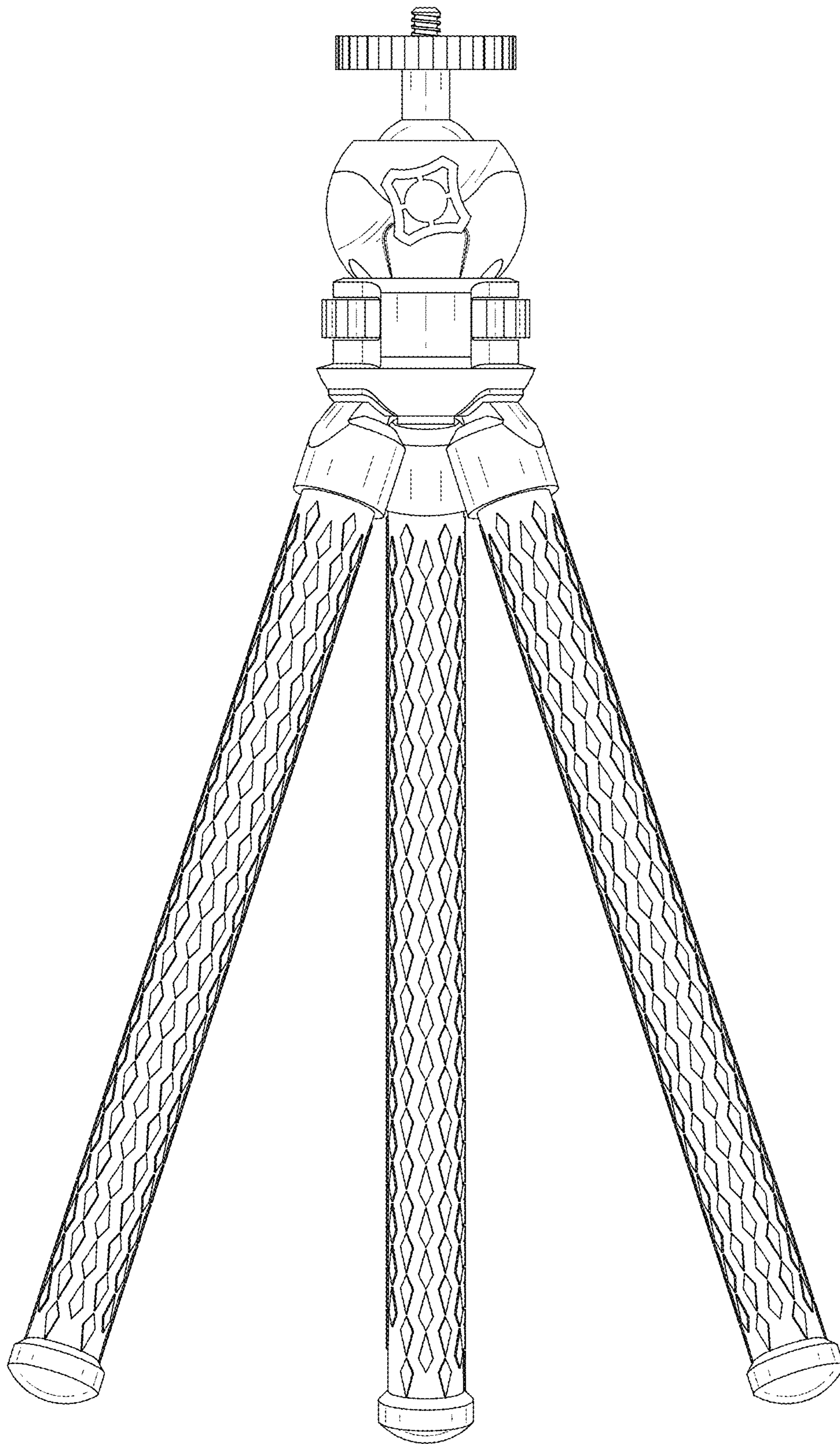


FIG.3

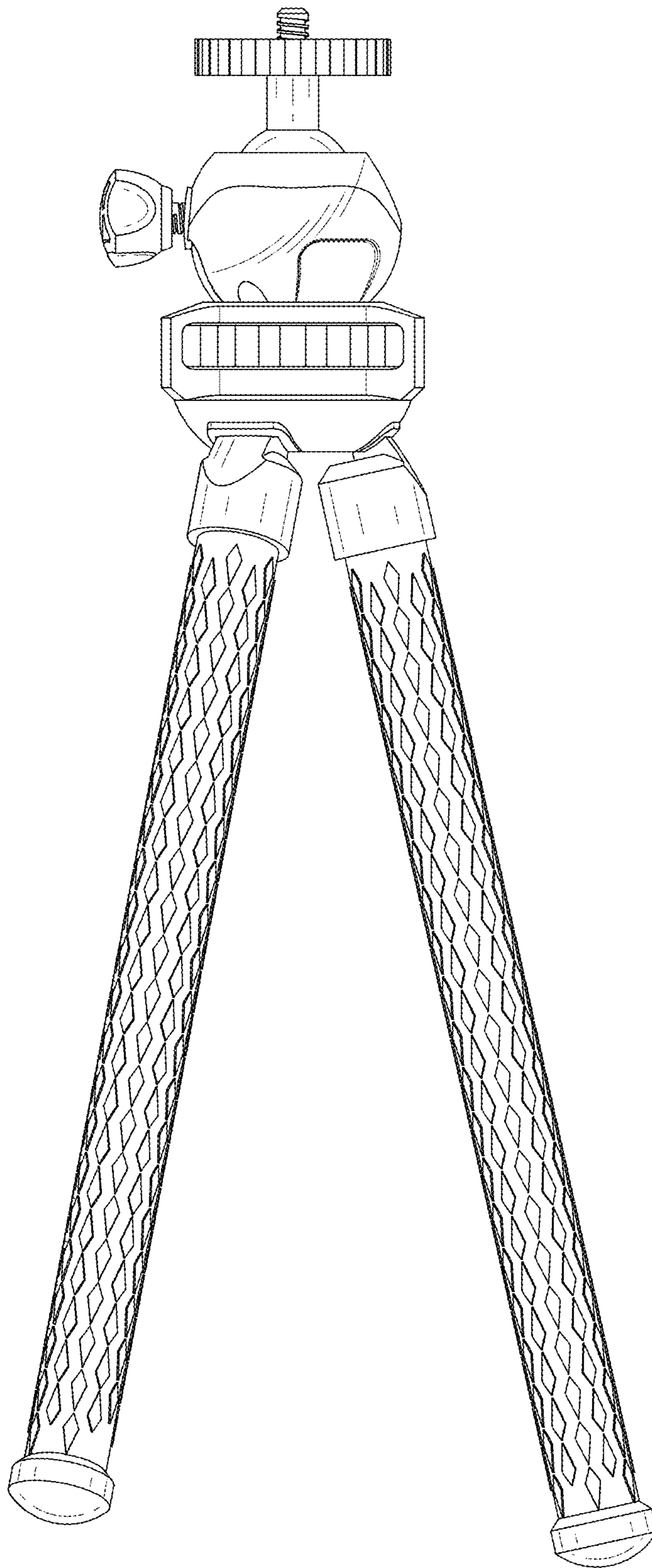


FIG. 4

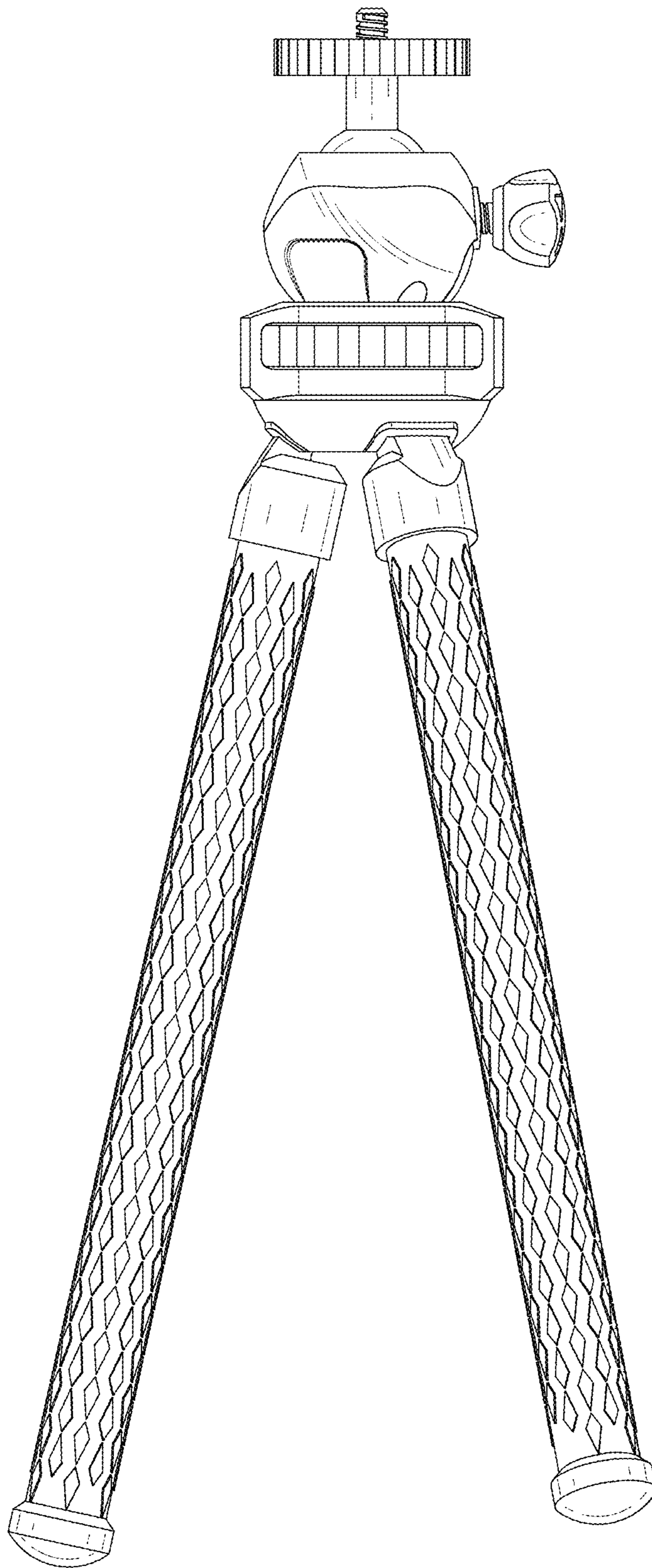


FIG.5

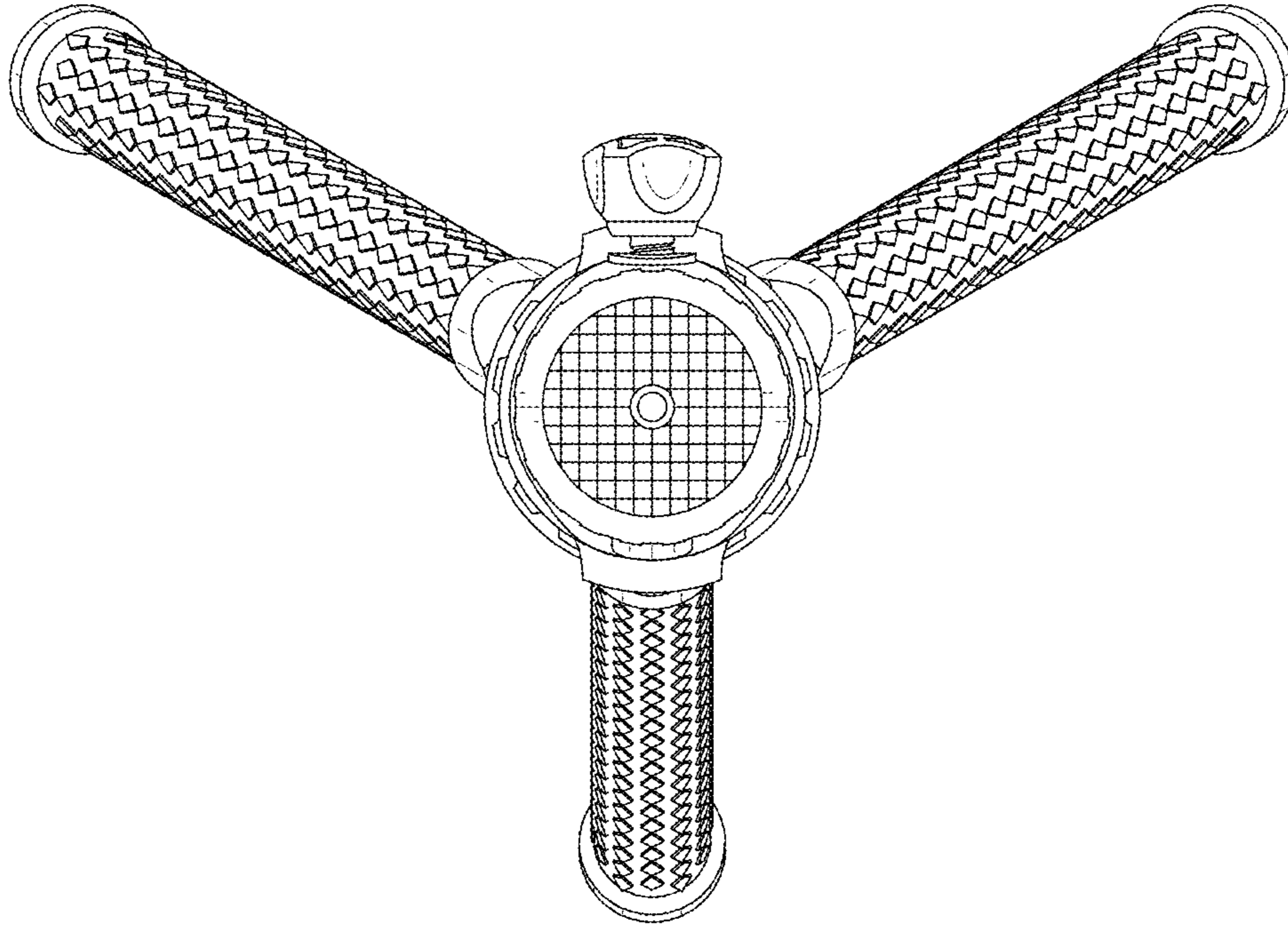


FIG.6

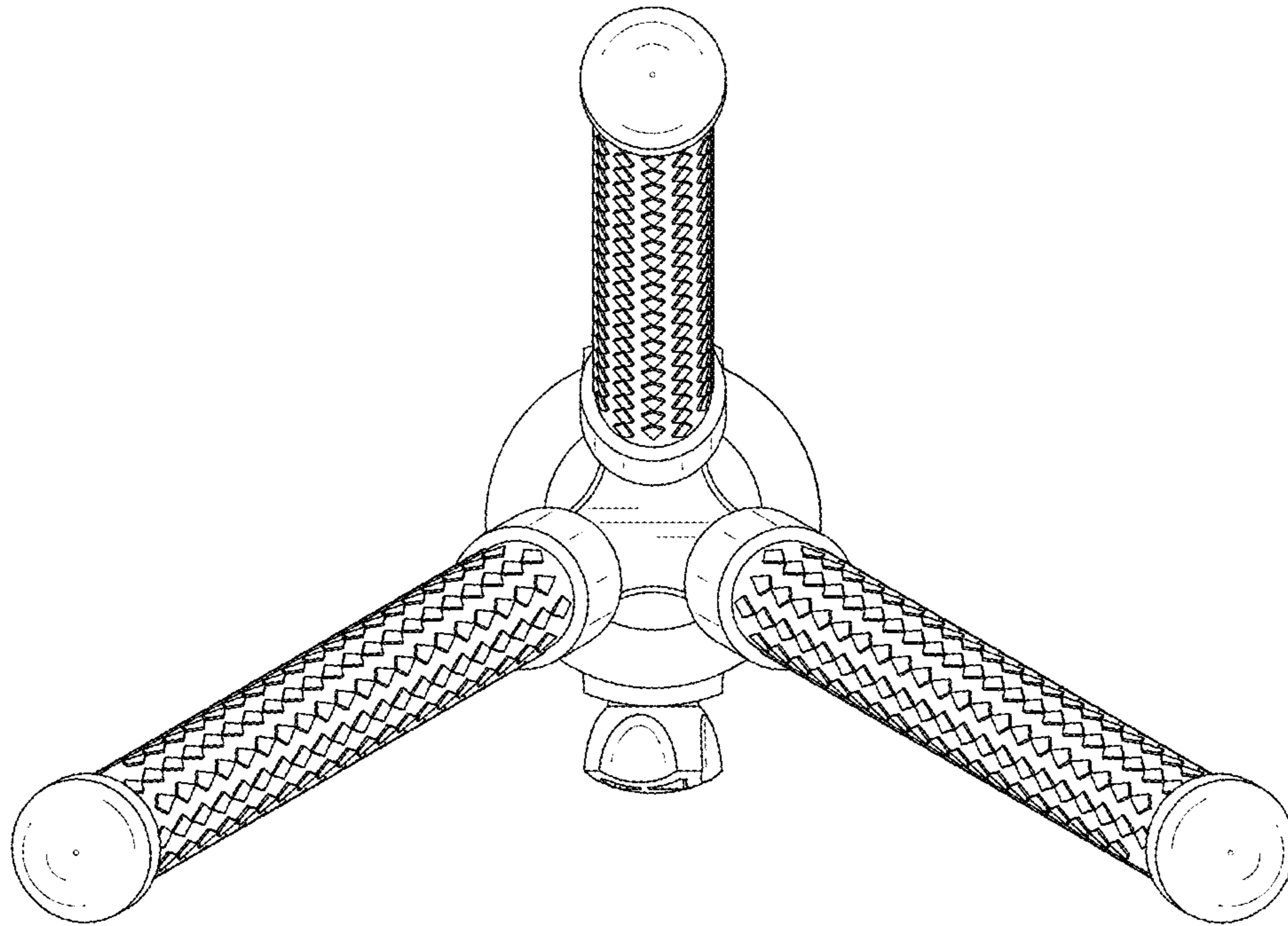


FIG. 7