



US00D902986S

(12) **United States Design Patent**
Zeng

(10) **Patent No.:** **US D902,986 S**

(45) **Date of Patent:** **** Nov. 24, 2020**

(54) **PHOTOGRAPHY TRIPOD**

(71) Applicant: **ZHONGSHAN LEON PRECISION TECHNOLOGY CO., LTD,**
Zhongshan (CN)

(72) Inventor: **Xianhui Zeng, Ganzhou (CN)**

(**) Term: **15 Years**

(21) Appl. No.: **29/690,238**

(22) Filed: **May 7, 2019**

(51) **LOC (12) Cl.** **16-05**

(52) **U.S. Cl.**
USPC **D16/244**

(58) **Field of Classification Search**
USPC D16/219, 237-250; D14/224, 229, 238,
D14/251, 253, 447, 451, 457
CPC G03B 17/56; G03B 17/561-566
See application file for complete search history.

(56) **References Cited**

U.S. PATENT DOCUMENTS

D290,963 S *	7/1987	Groschupp	D16/244
D326,105 S *	5/1992	Doi	D16/244
D333,479 S *	2/1993	Chun-Mao	D16/244
D335,298 S *	5/1993	Hanke	D16/244
D600,737 S *	9/2009	Sudhana	D16/244
D607,037 S *	12/2009	Lee	D16/244
D807,421 S *	1/2018	Yin	D16/244
D829,266 S *	9/2018	Zeng	D16/244
D829,267 S *	9/2018	Zeng	D16/244
D857,084 S *	8/2019	Chen	D16/244
D860,299 S *	9/2019	Li	D16/244
D864,282 S *	10/2019	Liu	D16/244
D888,814 S *	6/2020	Chen	D16/244
2005/0151036 A1 *	7/2005	Speggiorin	F16M 11/32 248/177.1

2010/0019109 A1 *	1/2010	Liu	F16M 11/046 248/168
2011/0260016 A1 *	10/2011	Johnson	F16M 11/16 248/168
2015/0076296 A1 *	3/2015	Yang	F16M 11/26 248/163.2
2015/0338017 A1 *	11/2015	De Faveri	F16M 11/16 396/428

* cited by examiner

Primary Examiner — Vy N Koenig

(57) **CLAIM**

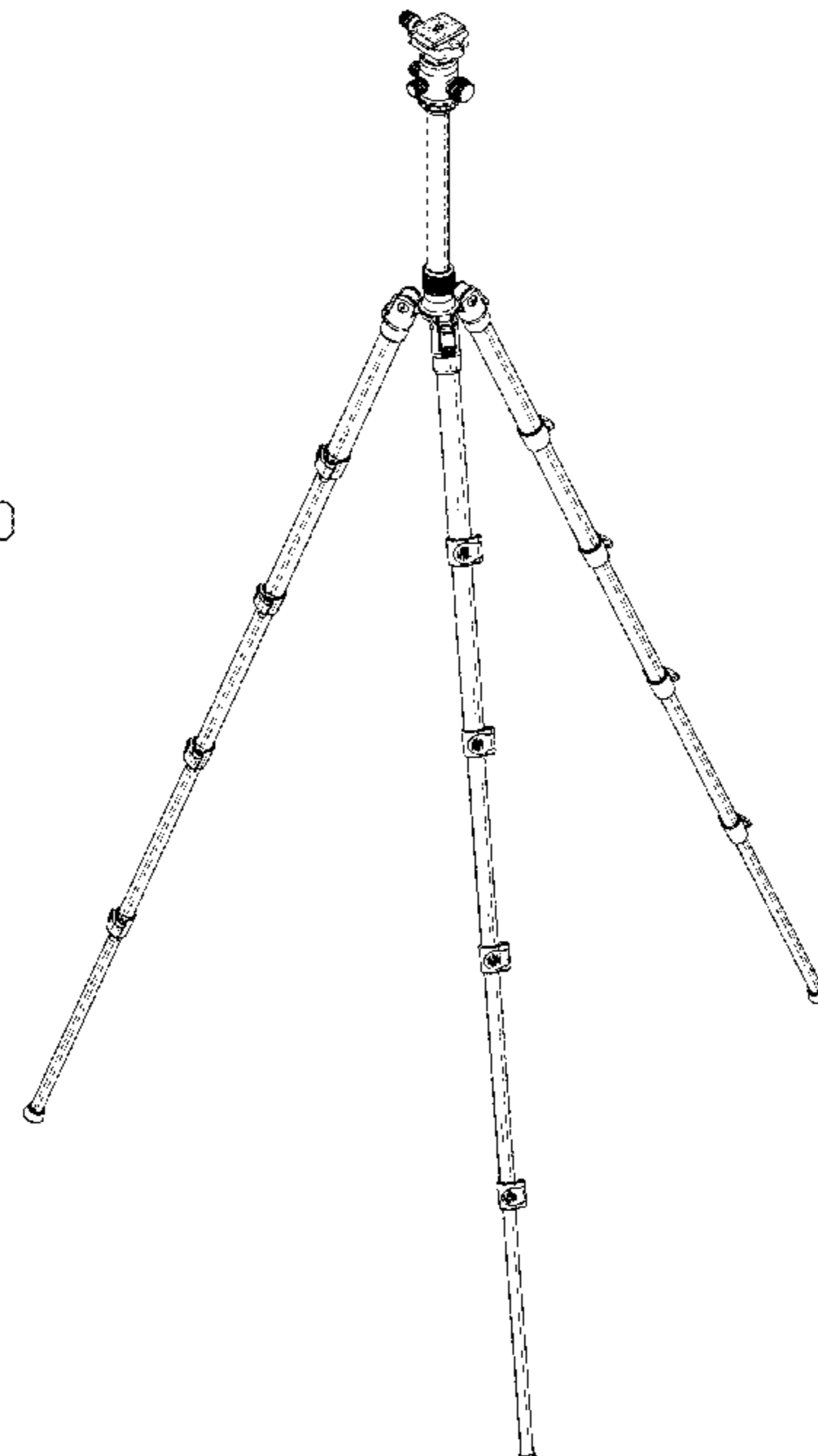
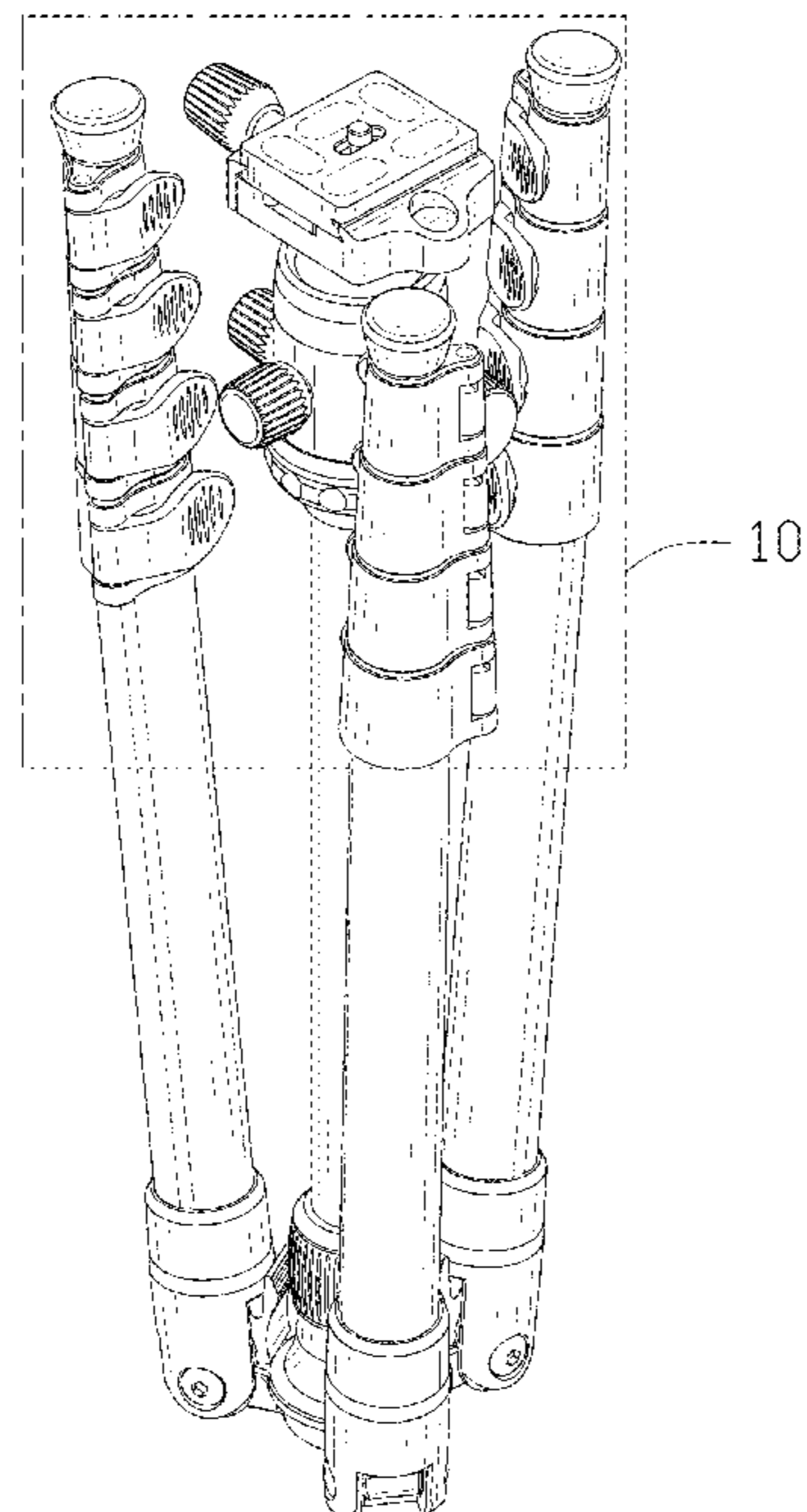
The ornamental design for a photography tripod, as shown and described.

DESCRIPTION

FIG. 1 is a first perspective view of a photography tripod showing my design;
 FIG. 2 is a second perspective view thereof;
 FIG. 3 is a front view thereof;
 FIG. 4 is a back view thereof;
 FIG. 5 is a left side view thereof;
 FIG. 6 is a right side view thereof;
 FIG. 7 is a top view thereof;
 FIG. 8 is a bottom view thereof;
 FIG. 9 is a perspective view of another state of the photography tripod thereof;
 FIG. 10 is an enlarged view of the selected portion in FIG. 1; and,
 FIG. 11 is an enlarged view of the selected portion in FIG. 2.

The broken lines shown in the drawings depict portions of the photography tripod in which the design is embodied that form no part of the claimed design.

1 Claim, 11 Drawing Sheets



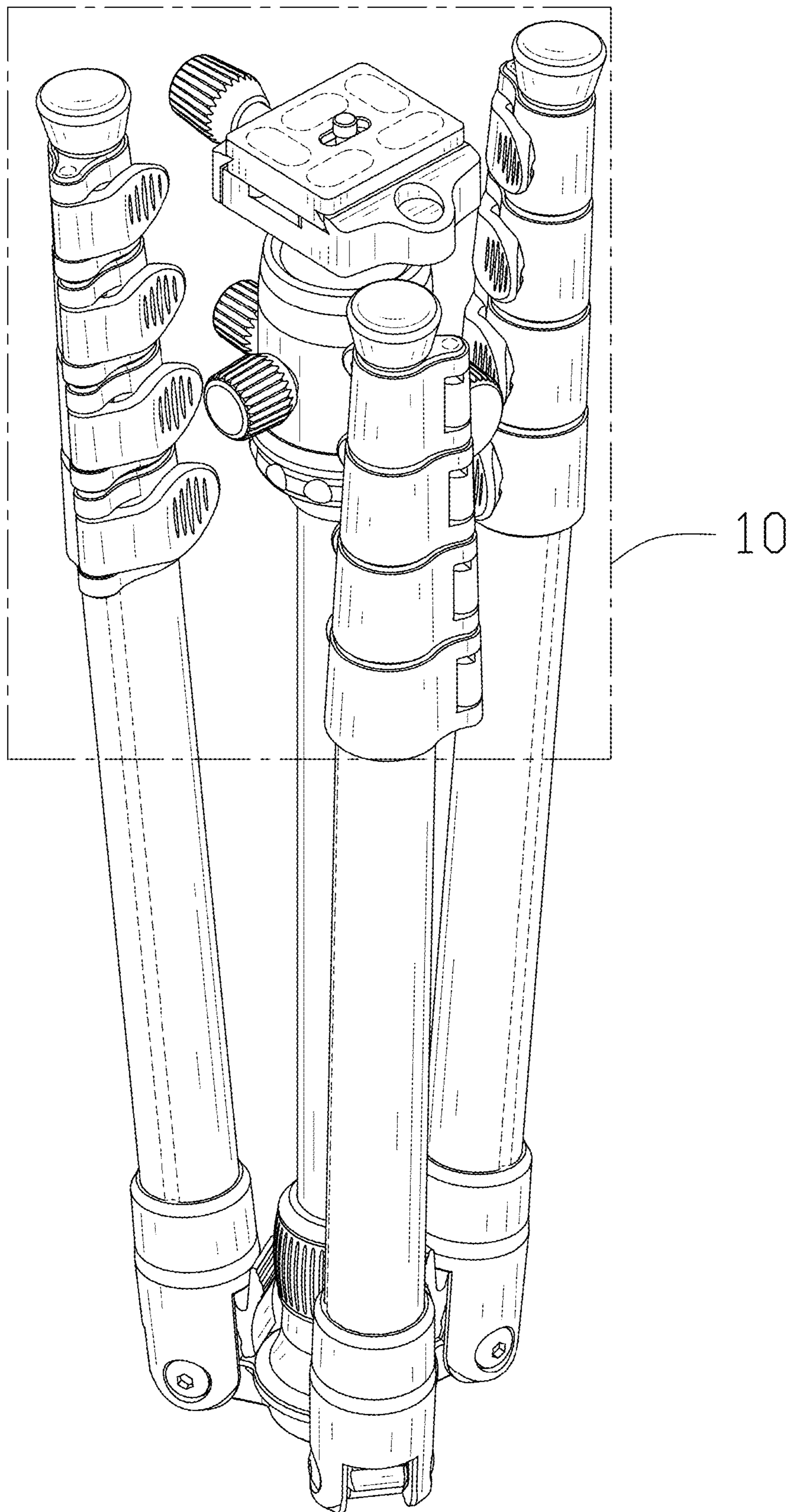


FIG. 1

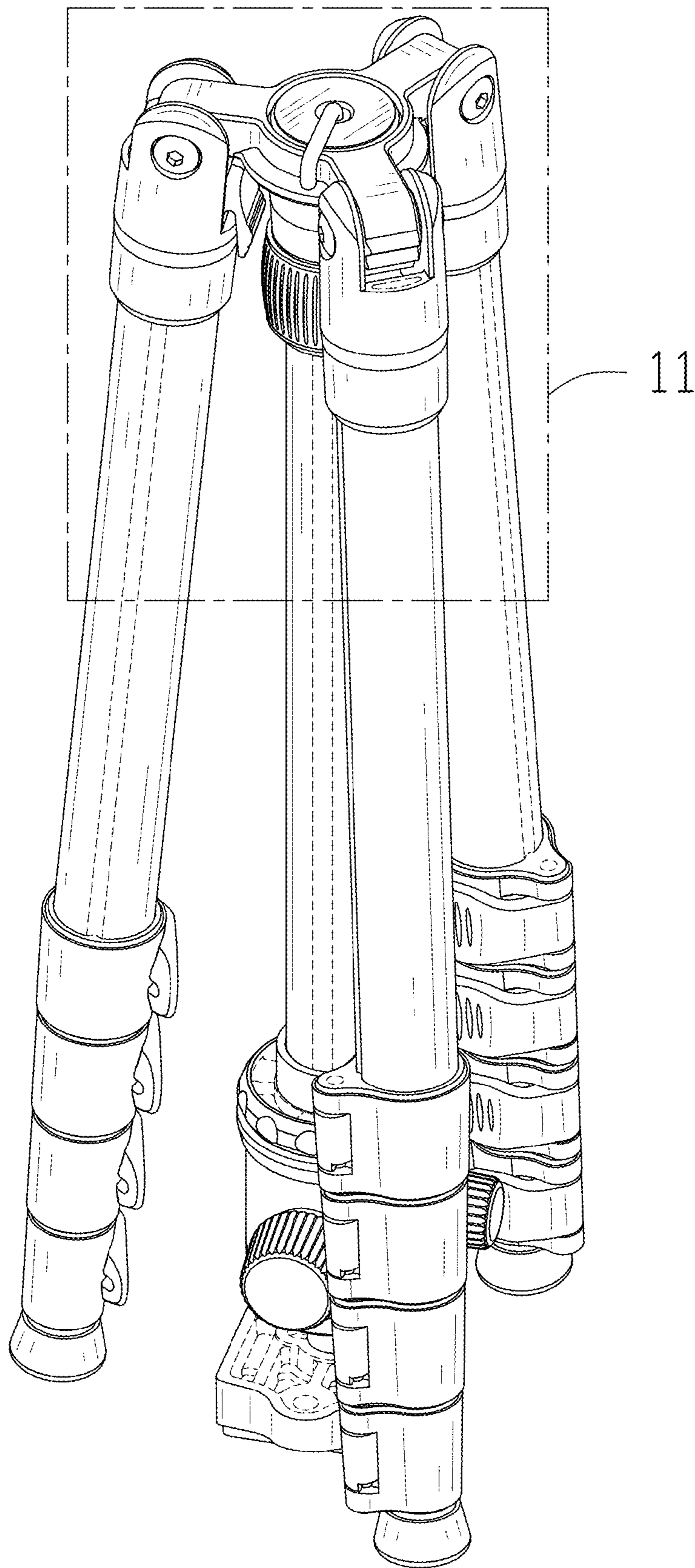


FIG. 2

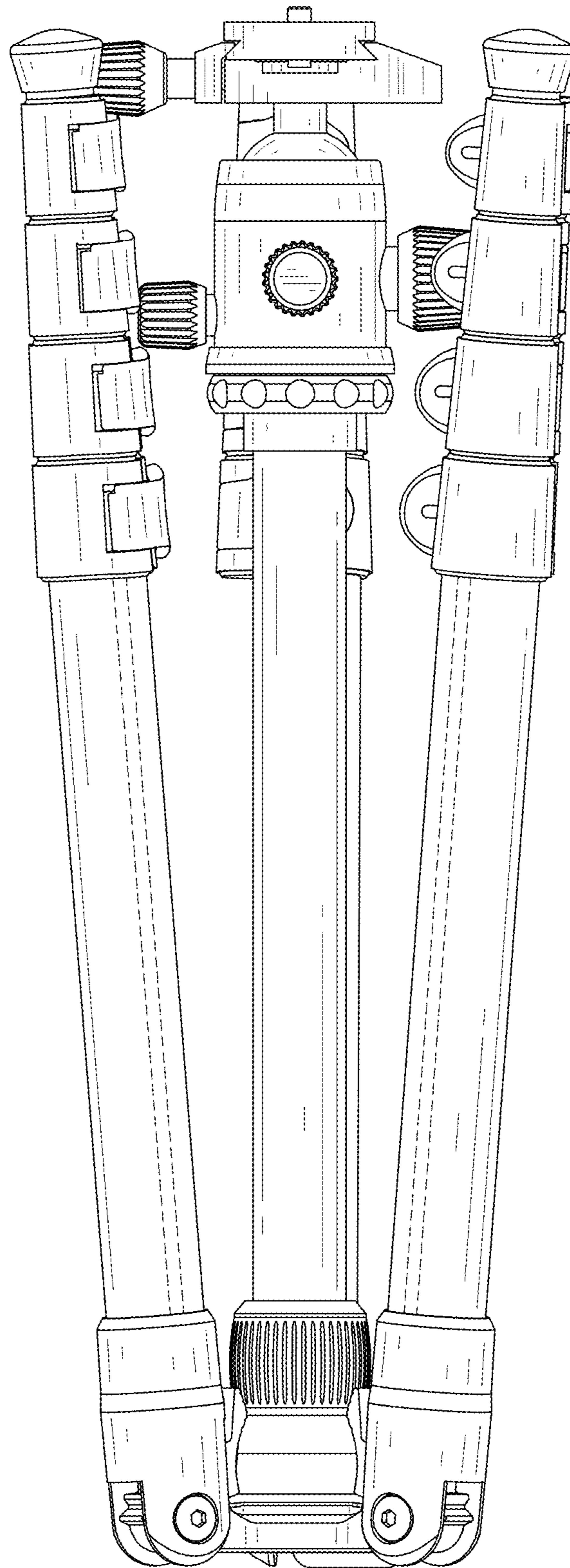


FIG. 3

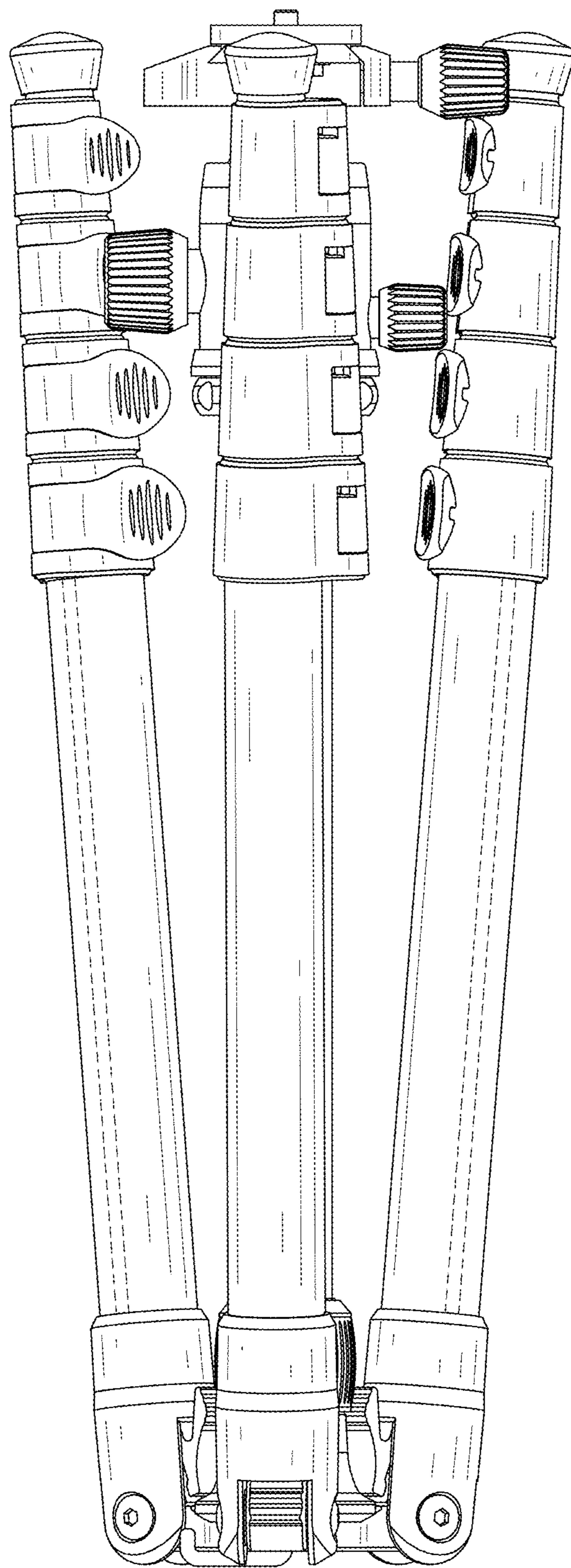


FIG. 4

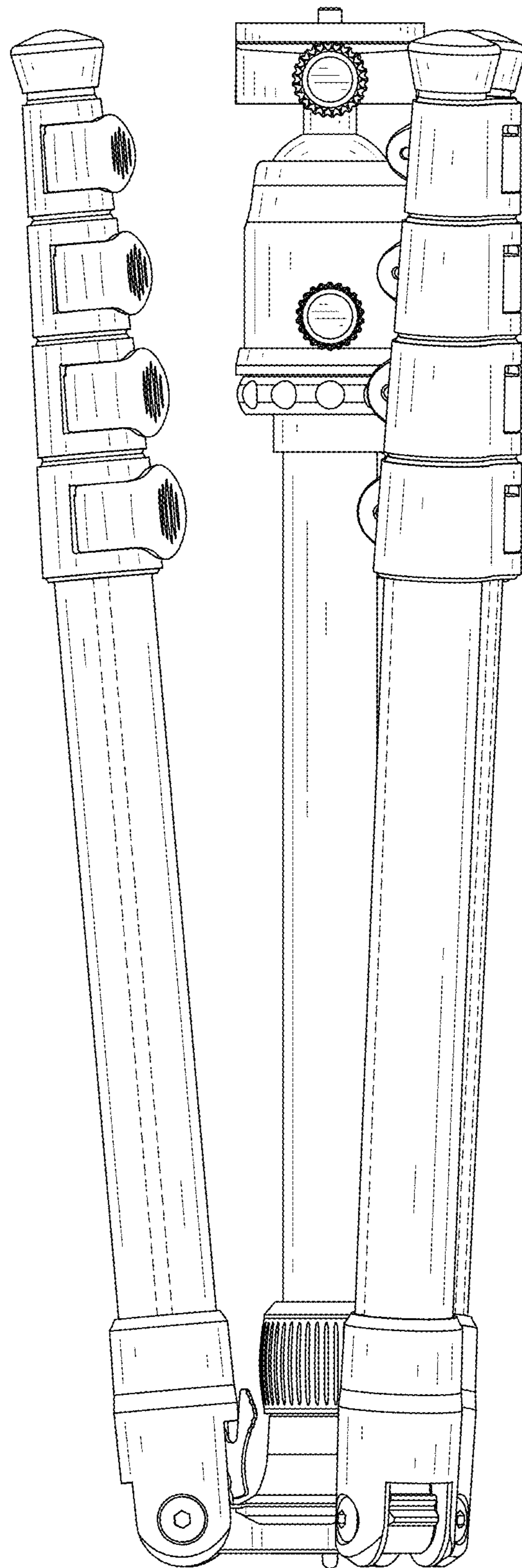


FIG. 5

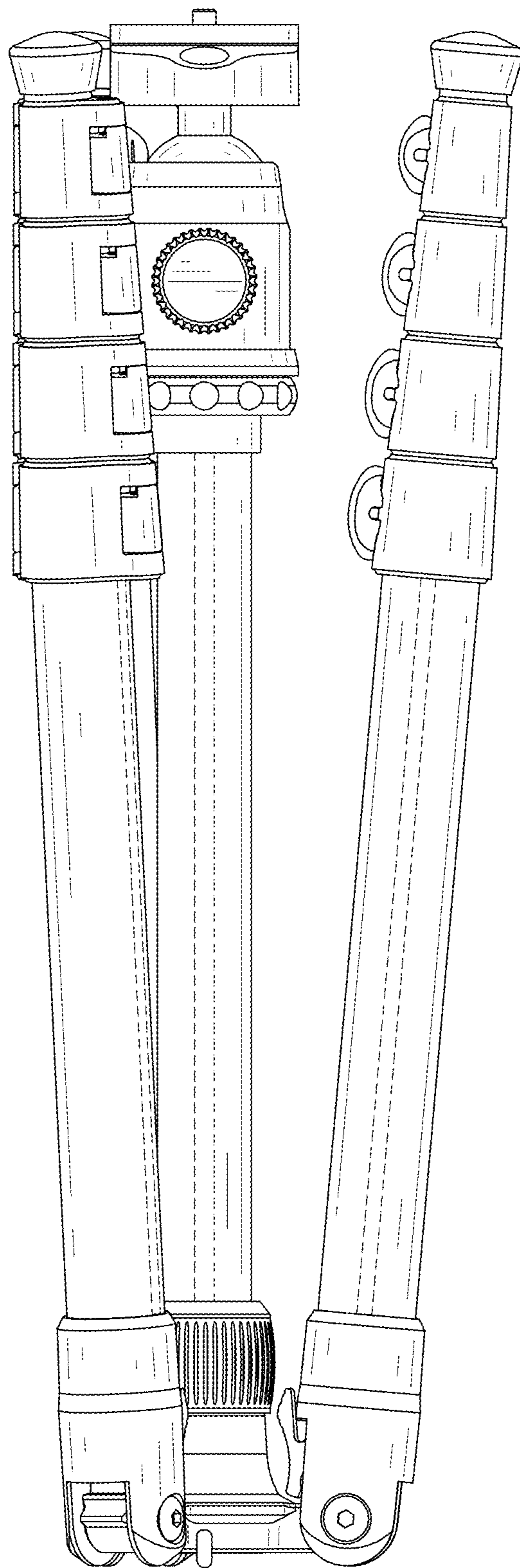


FIG. 6

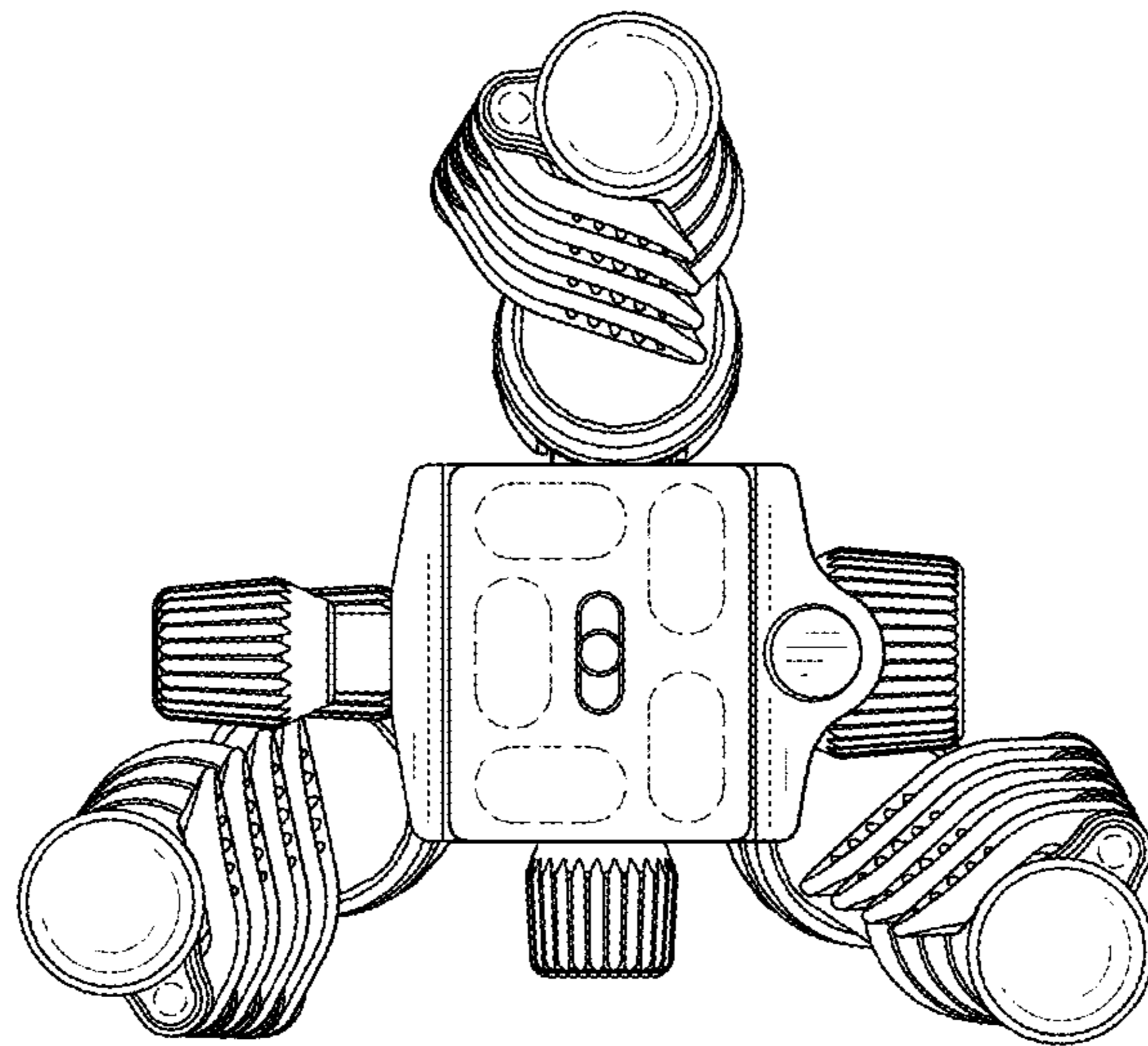


FIG. 7

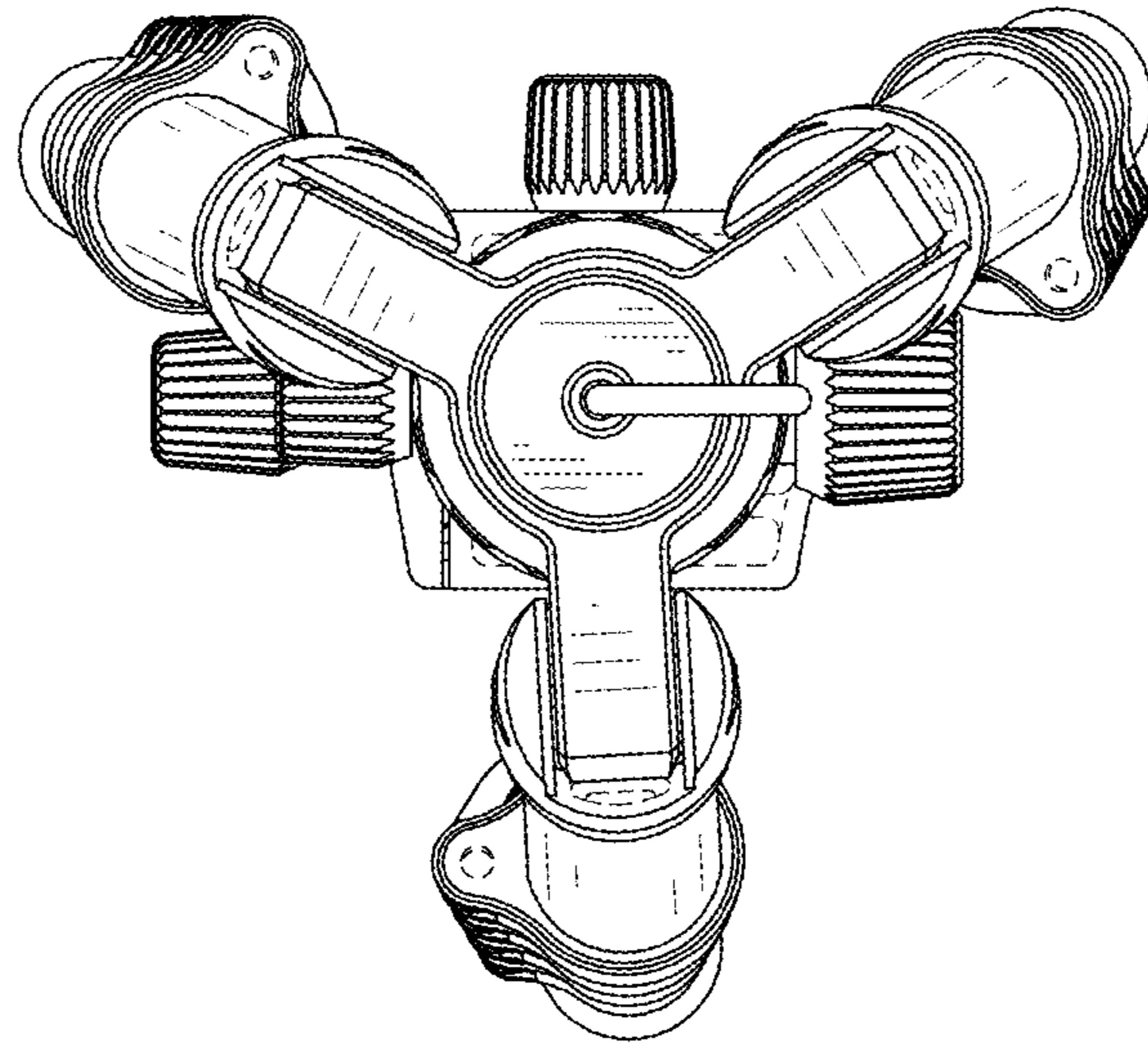


FIG. 8

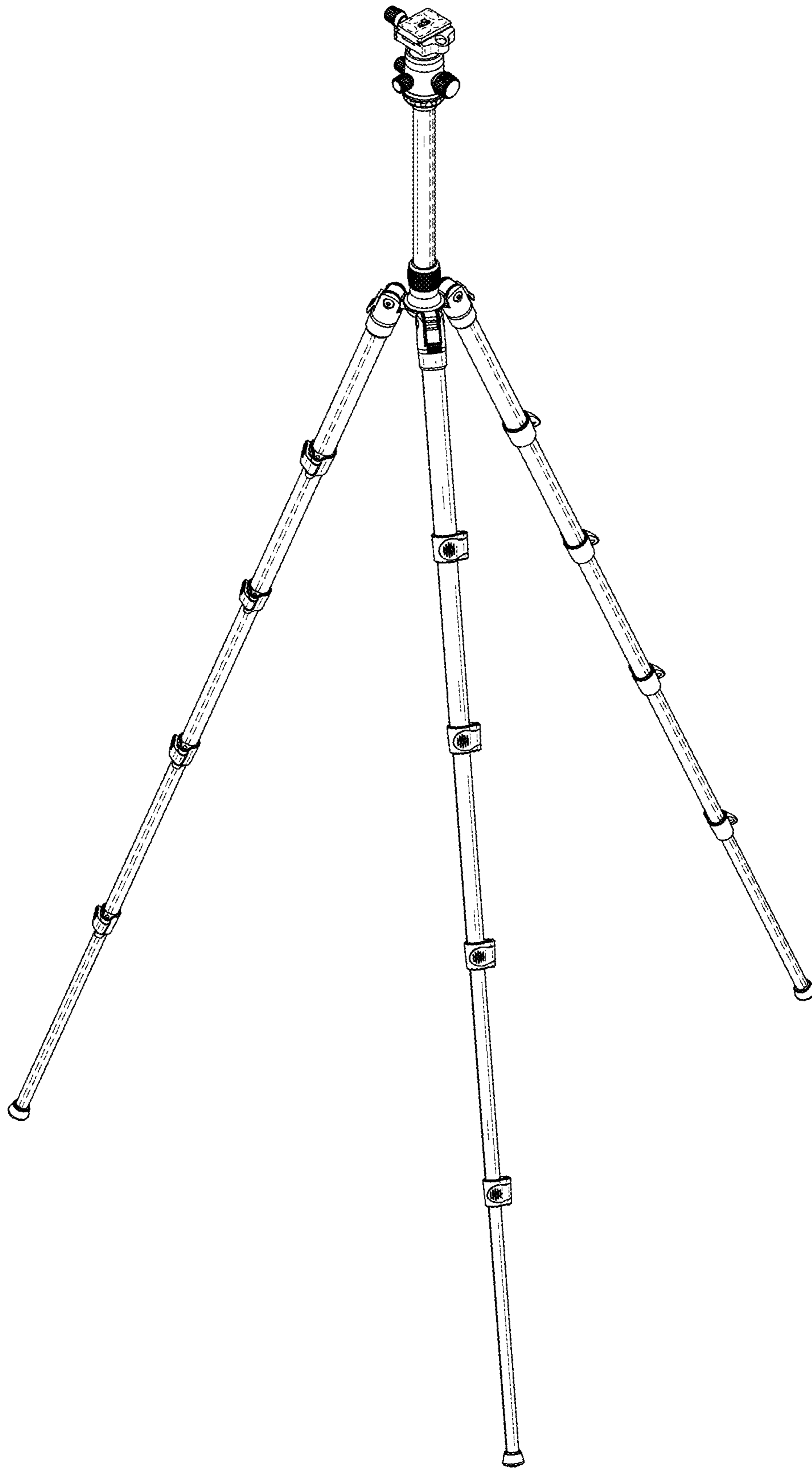


FIG. 9

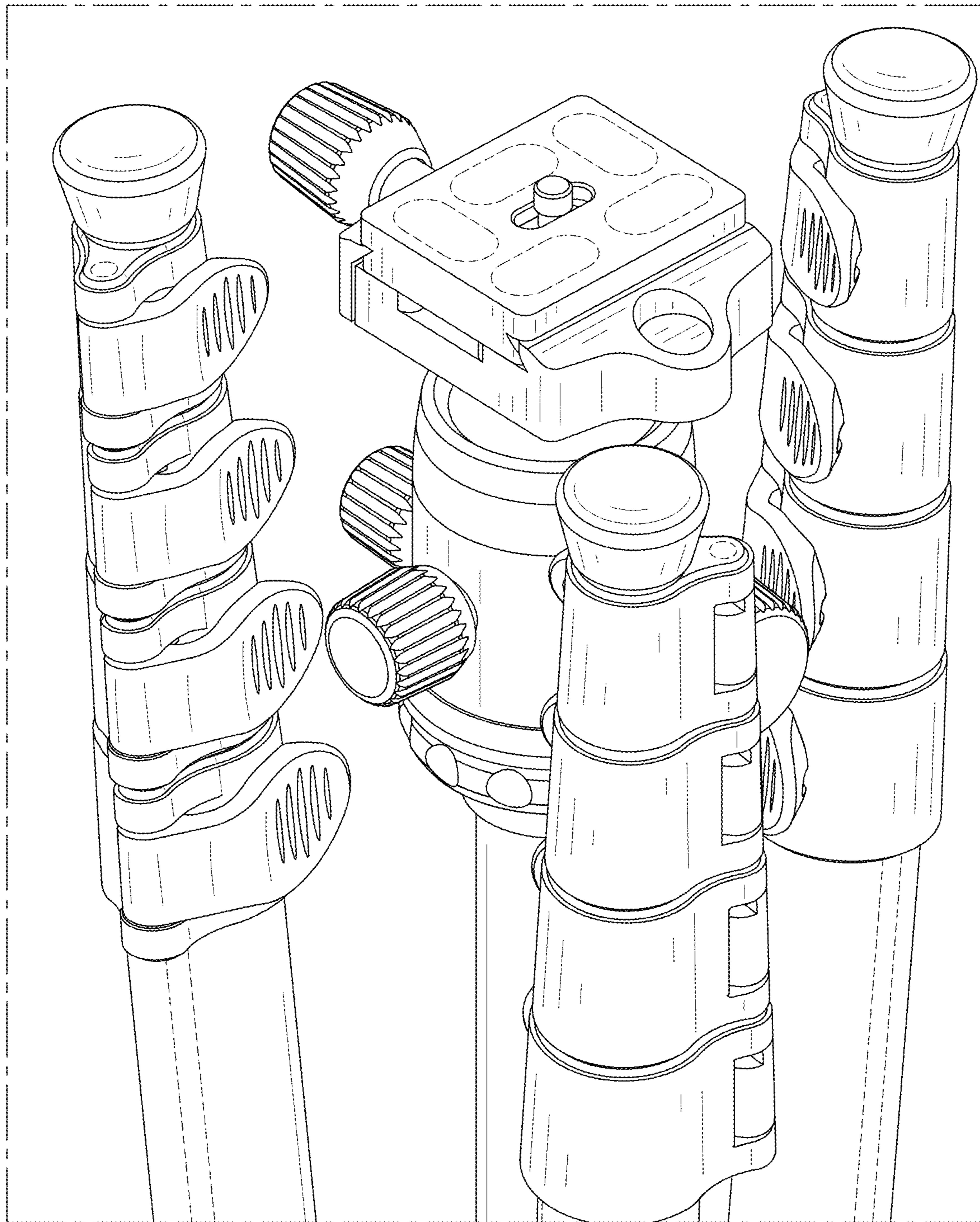


FIG. 10

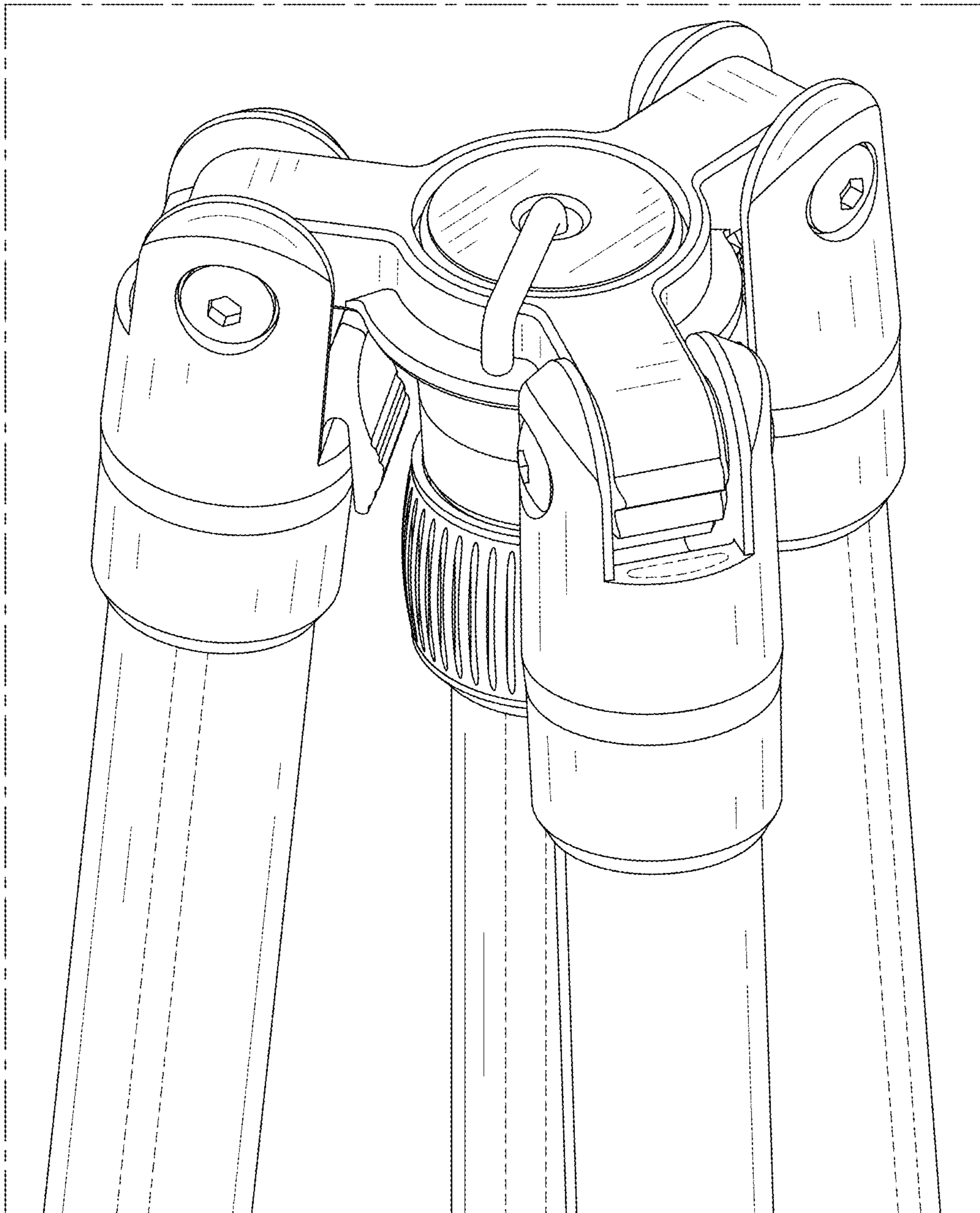


FIG. 11