



US00D902985S

(12) **United States Design Patent** (10) **Patent No.:** **US D902,985 S**
Cleveland et al. (45) **Date of Patent:** **** Nov. 24, 2020**

(54) **POLE-MOUNTABLE CAMERA SUPPORT STRUCTURE**

(71) Applicant: **Duke Energy Corporation**, Charlotte, NC (US)
(72) Inventors: **James Cleveland**, Cornelius, NC (US); **Gregory S. Tribbe**, New York, NY (US); **Louis Lombardi**, Maplewood, NJ (US); **Gilbert DeFreitas**, Palm Coast, FL (US); **Peter Henderson**, Cary, NC (US)

(73) Assignee: **Duke Energy Corporation**, Charlotte, NC (US)

(**) Term: **15 Years**

(21) Appl. No.: **29/713,374**

(22) Filed: **Nov. 15, 2019**

Related U.S. Application Data

(62) Division of application No. 29/670,153, filed on Nov. 14, 2018, now Pat. No. Des. 870,189, which is a division of application No. 29/593,239, filed on Feb. 7, 2017, now Pat. No. Des. 836,155.

(51) **LOC (12) Cl.** **16-05**

(52) **U.S. Cl.**
USPC **D16/242**

(58) **Field of Classification Search**
USPC D16/219, 237–250; D8/354, 355, 363, D8/373, 382–383, 394–396; D14/224, D14/229, 238, 251, 253, 447, 451, 457
CPC F16M 11/06–10; F16M 11/14; G02B 7/00–002; G03B 17/56; G03B 17/561–566; H04N 5/2253–2254

See application file for complete search history.

(56) **References Cited**

U.S. PATENT DOCUMENTS

D187,055 S	1/1960	King	
D262,634 S	1/1982	Schlagheck et al.	
D262,715 S	1/1982	Schlagheck et al.	
D262,716 S	1/1982	Schlagheck et al.	
D264,221 S	5/1982	Schlagheck et al.	
D423,921 S *	5/2000	Richter D8/396
D431,450 S	10/2000	Maharg et al.	
D451,371 S	12/2001	Borotto et al.	

(Continued)

OTHER PUBLICATIONS

“Where should I mount my construction time-lapse camera?”
TrueLook Construction Cameras (7 pages) (Nov. 9, 2016).

(Continued)

Primary Examiner — Vy N Koenig

(74) *Attorney, Agent, or Firm* — Myers Bigel, P.A.

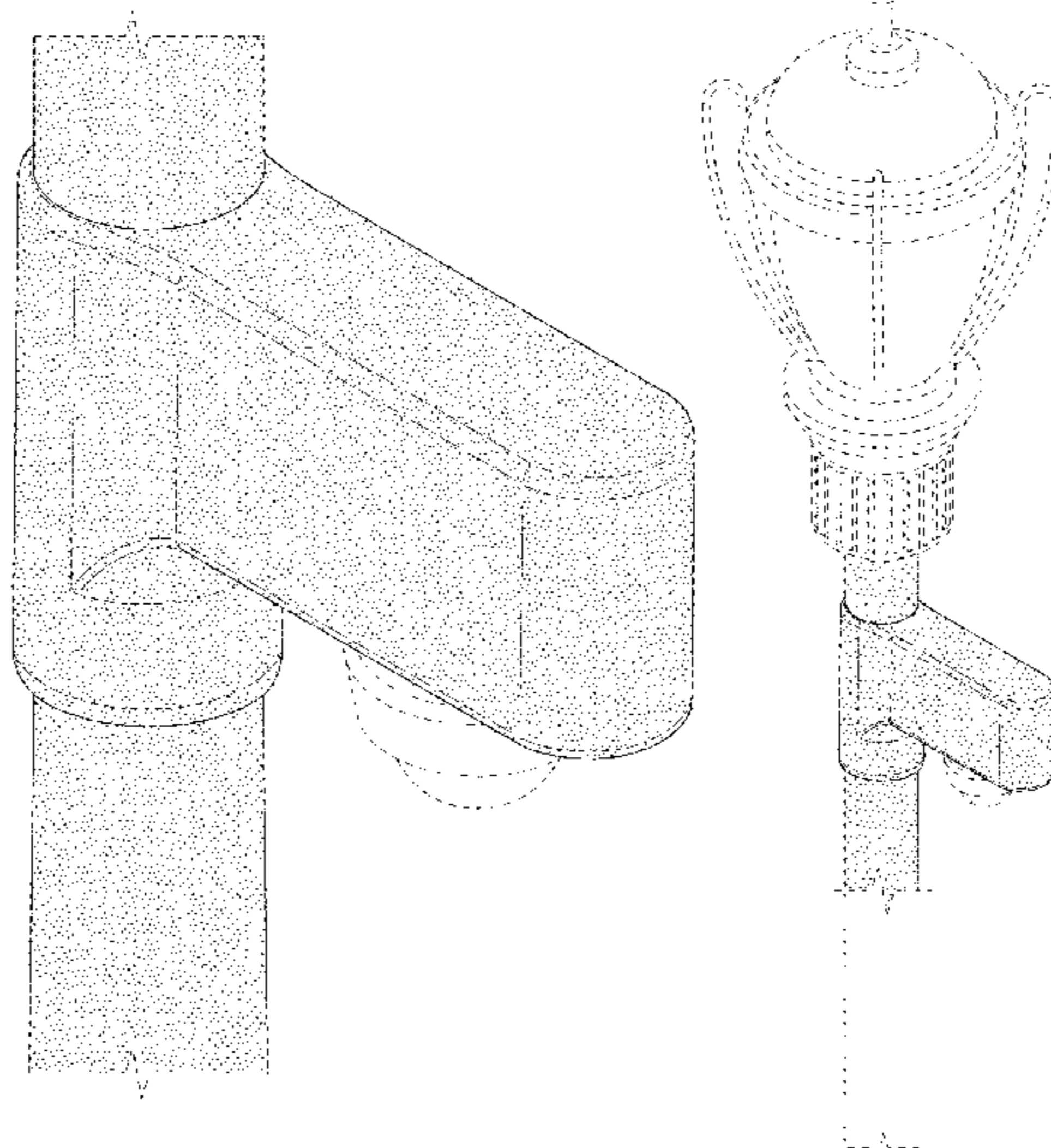
(57) **CLAIM**

The ornamental design for a pole-mountable camera support structure, as shown and described.

DESCRIPTION

FIG. 1 is a front perspective view of a pole-mountable camera support structure, showing our design;
FIG. 2 is a front view thereof;
FIG. 3 is a rear view thereof;
FIG. 4 is a side view thereof;
FIG. 5 is an opposing side view thereof;
FIG. 6 is a bottom view thereof;
FIG. 7 is a top view thereof; and,
FIG. 8 is a front perspective environmental view thereof.
The broken lines shown herein depict environmental subject matter and form no part of the claimed design. The stippling patterns shown in FIGS. 1-8 indicate components that are the same color. The color indicated by the stippling patterns may be any color that is the same for each component including the stippling patterns.

1 Claim, 6 Drawing Sheets



(56)

References Cited

U.S. PATENT DOCUMENTS

D494,963 S 8/2004 Schwimmer et al.
 D567,637 S * 4/2008 Moore D8/363
 7,454,839 B2 11/2008 Della Bona et al.
 D590,698 S 4/2009 Moore et al.
 D629,032 S 12/2010 Miyashita
 D651,068 S * 12/2011 Kang D8/363
 D652,422 S 1/2012 Cheng
 D658,053 S 4/2012 Okun
 D706,609 S 6/2014 Huebl
 D744,321 S * 12/2015 Boynton D8/363
 D744,570 S 12/2015 Criscuolo et al.
 D750,364 S 3/2016 Lah
 D773,203 S * 12/2016 Gilbert D6/524
 D795,323 S 8/2017 Melamed et al.
 D795,327 S 8/2017 Martin et al.
 D797,549 S 9/2017 Dew
 D798,933 S 10/2017 Little
 D803,291 S 11/2017 Andersson et al.
 D803,926 S 11/2017 Katori et al.

D812,673 S 3/2018 Andersson et al.
 D822,517 S 7/2018 Katsumi et al.
 10,034,526 B2 7/2018 Gamblin et al.
 D825,638 S 8/2018 Holbrook
 D829,801 S 10/2018 Park
 D836,155 S * 12/2018 Cleveland D16/242
 D850,519 S * 6/2019 Kim D16/237
 D870,187 S * 12/2019 Joulani D16/242
 D870,189 S * 12/2019 Cleveland D16/242
 2017/0307972 A1 10/2017 Okumura

OTHER PUBLICATIONS

“New technology provides all-in-one lighting, sound, and public safety applications” Downtown Idea Exchange (2 pages) (Feb. 2012).
 Autonome Camera, Product Brochure, Visuatch (3 pages) (Sep. 29, 2017).
 SiteLink® Revolutionary Track System, Product Brochure, Holophane (24 pages) (2016).

* cited by examiner

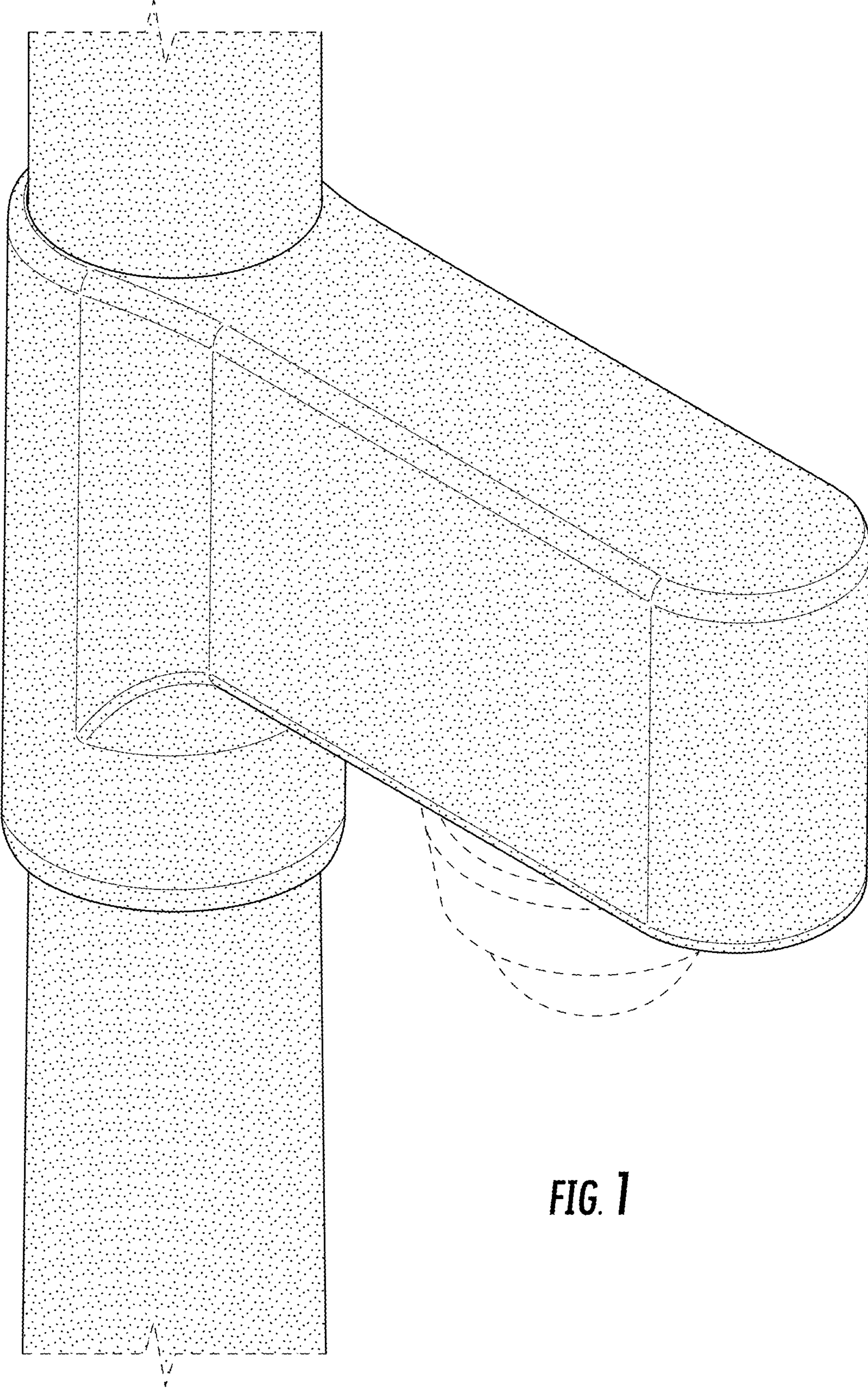


FIG. 1

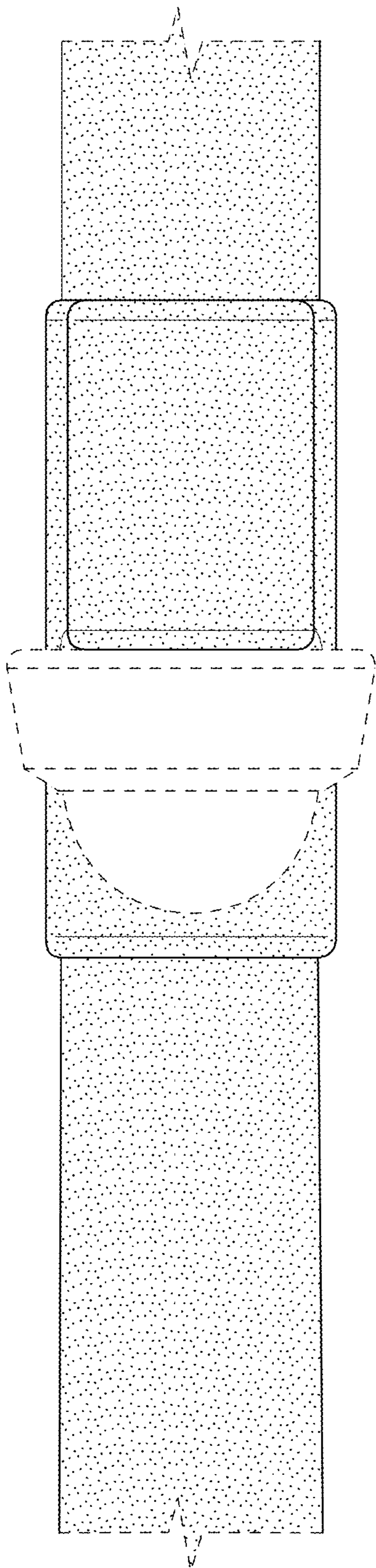


FIG. 2

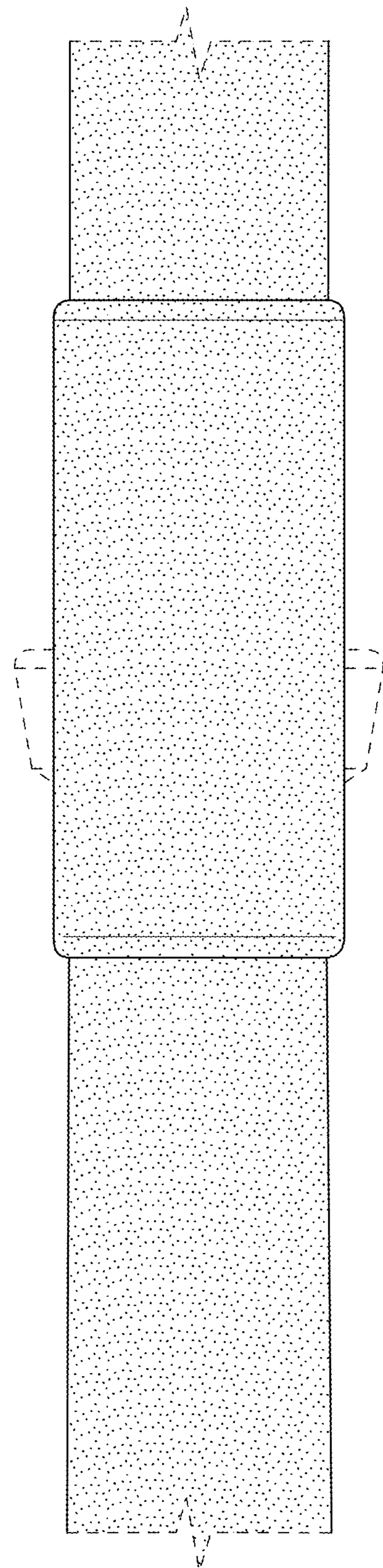


FIG. 3

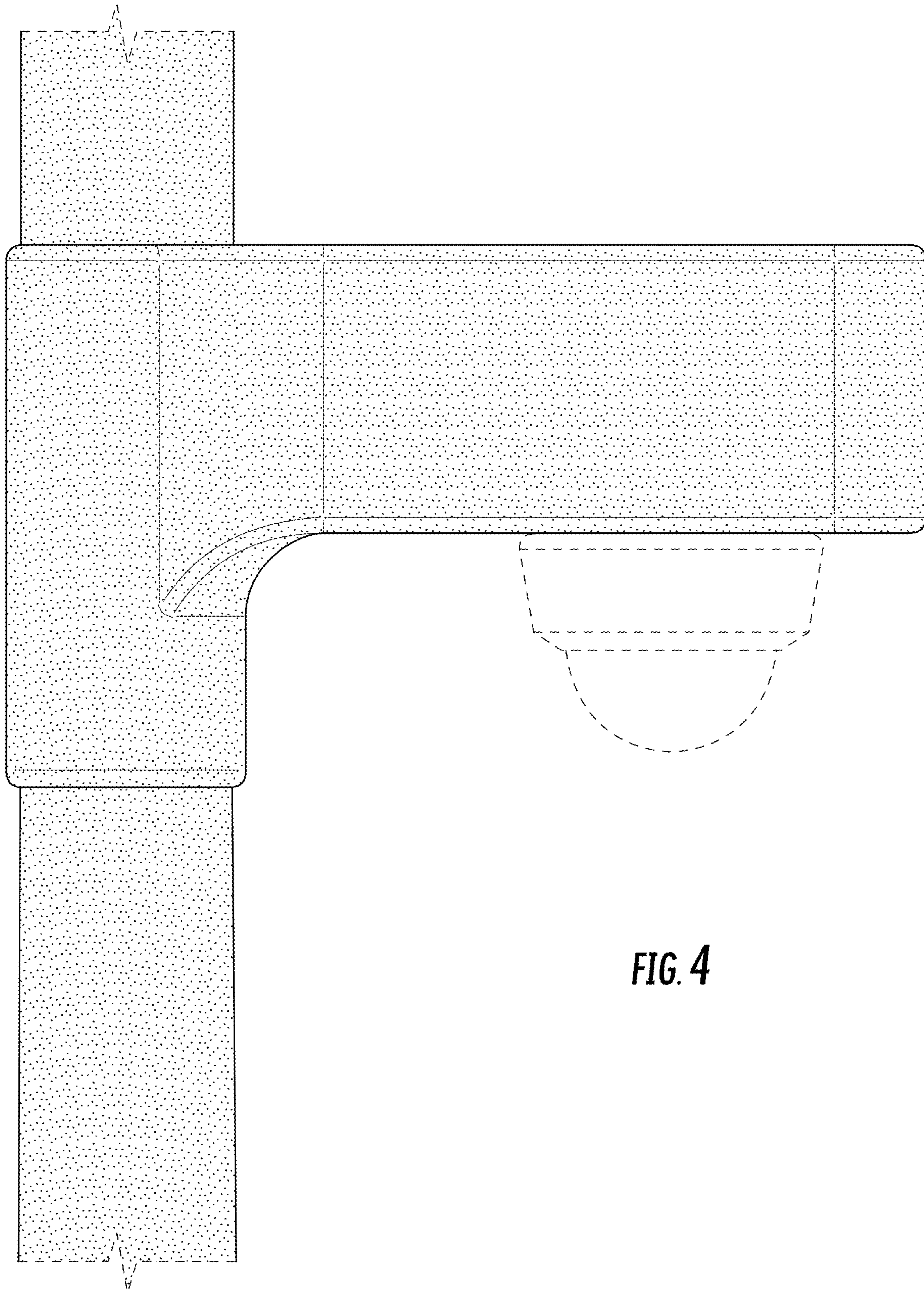


FIG. 4

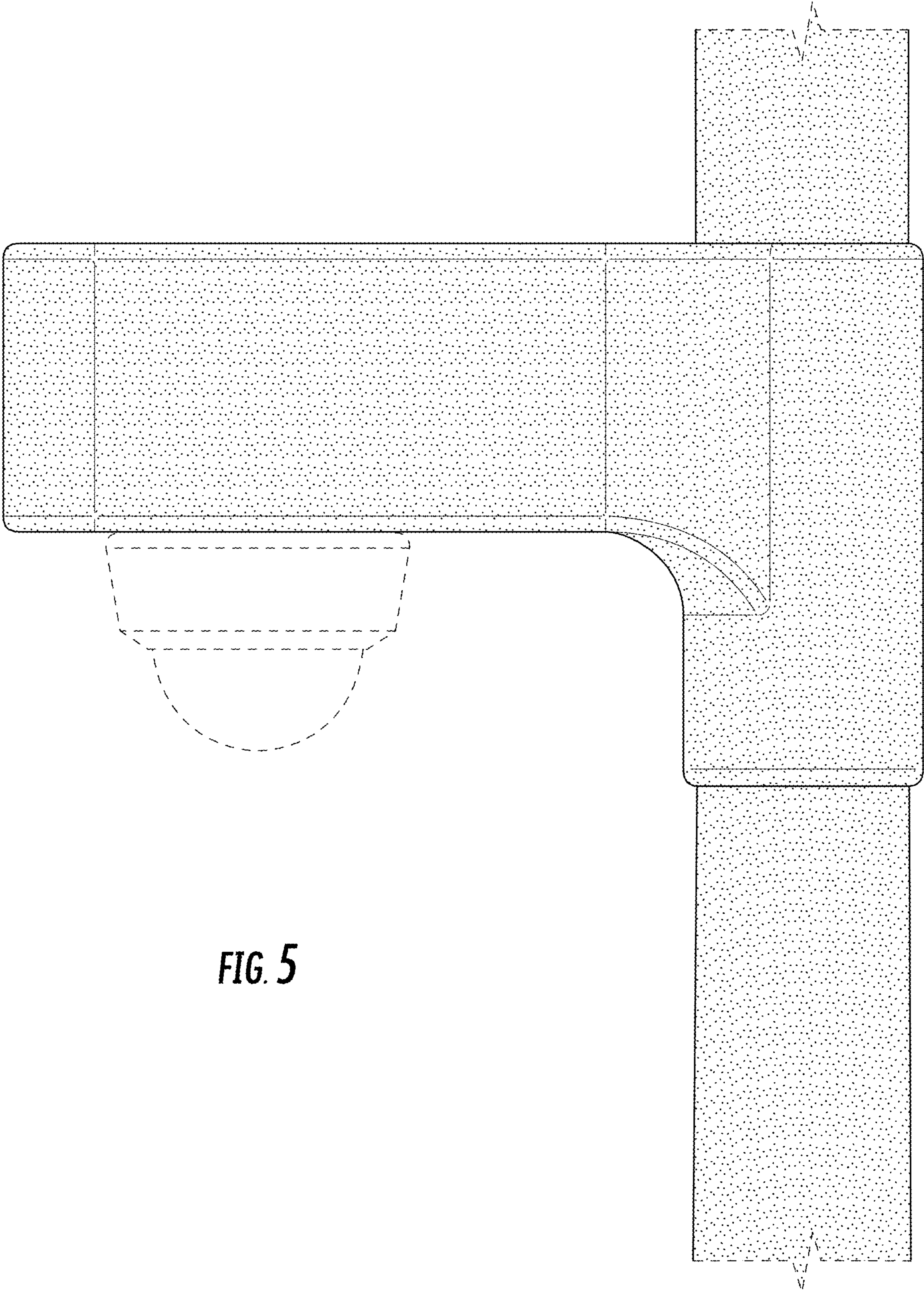


FIG. 5

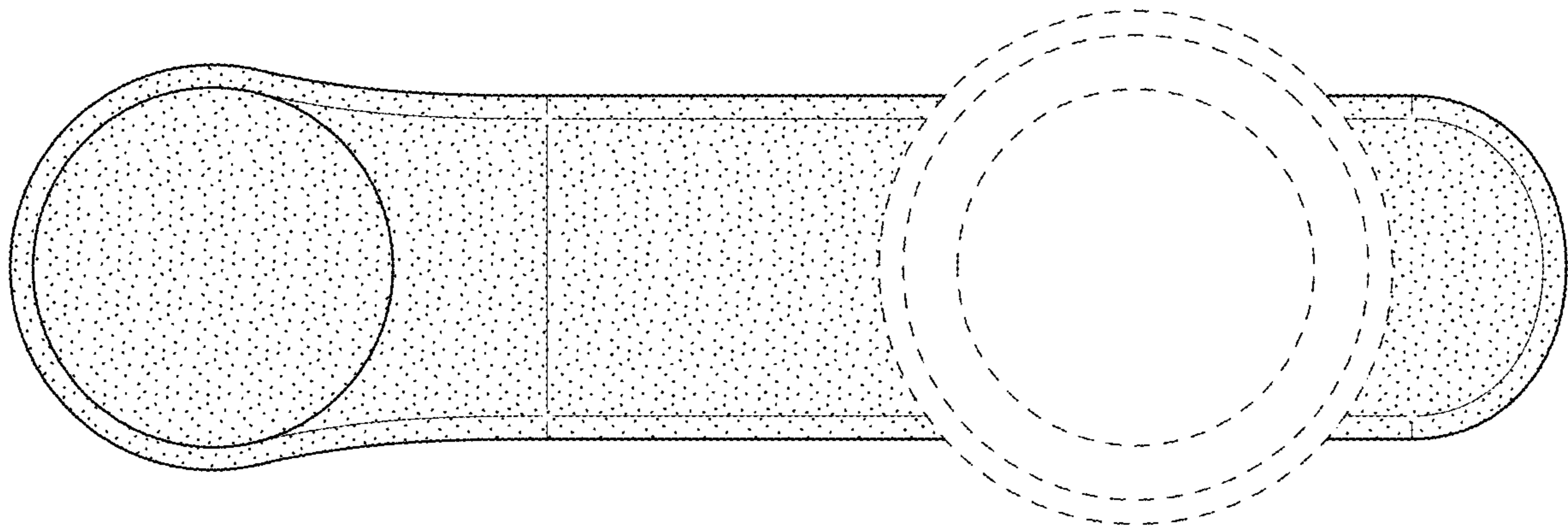


FIG. 6

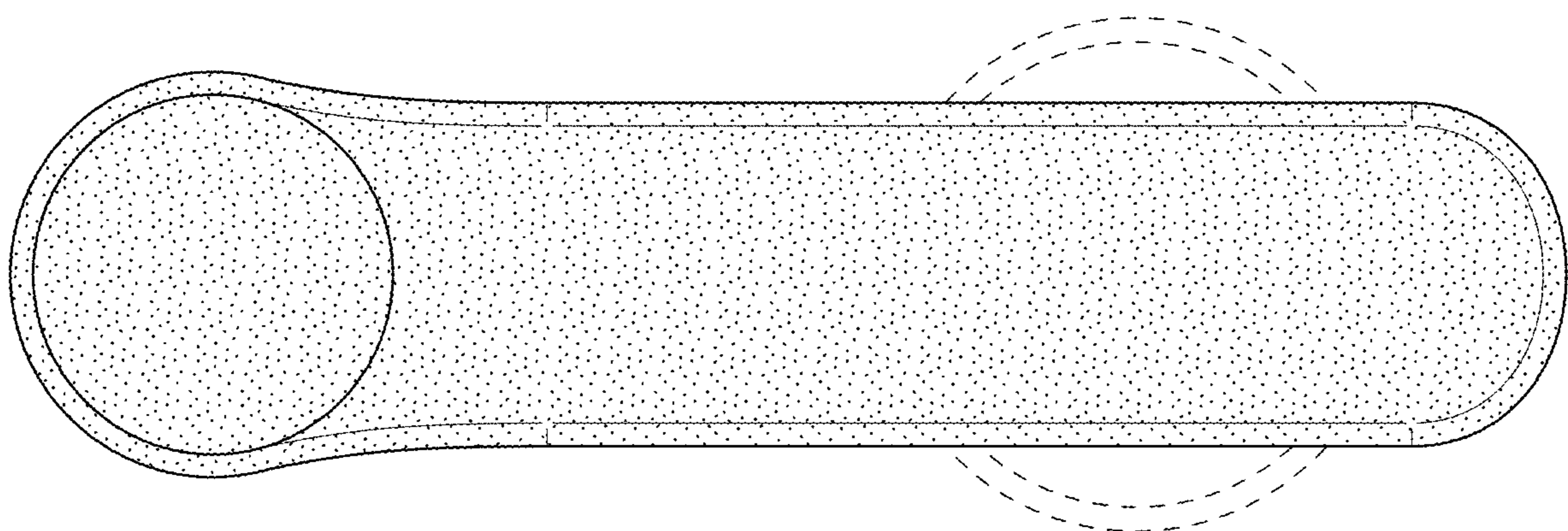


FIG. 7

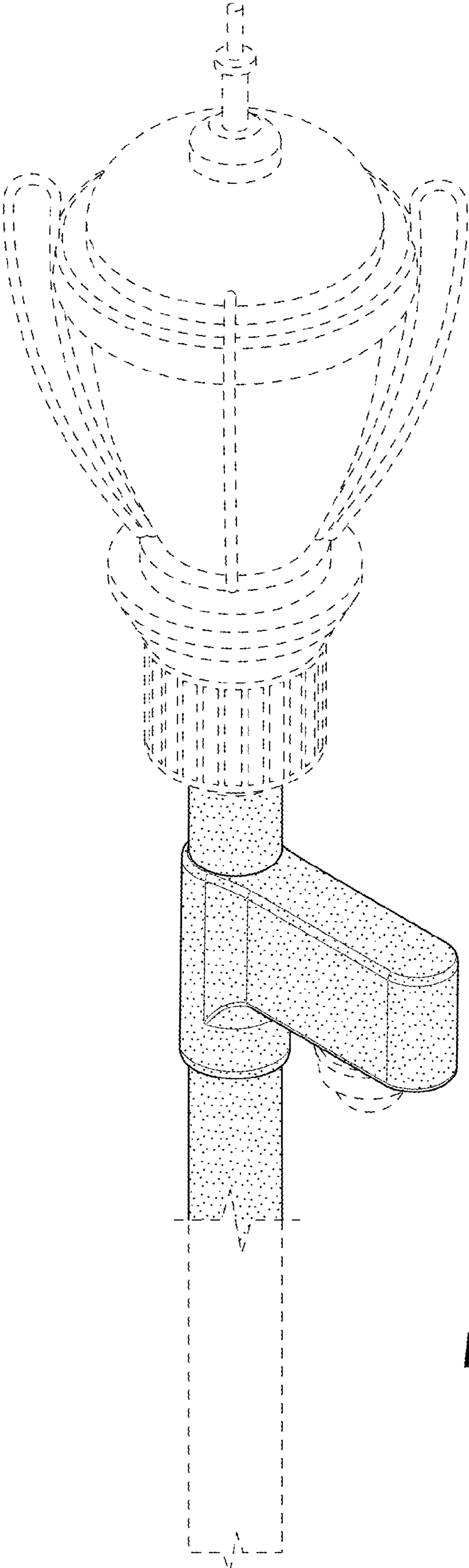


FIG. 8