



US00D902984S

(12) **United States Design Patent**
Ding

(10) **Patent No.:** **US D902,984 S**

(45) **Date of Patent:** **** Nov. 24, 2020**

(54) **ELECTRIC EXPANSION EXTENSION ROD**

(71) Applicant: **Gudsen Technology Co., Ltd,**
Guangdong (CN)

(72) Inventor: **Junwen Ding,** Guangdong (CN)

(73) Assignee: **Gudsen Technology Co., Ltd,**
Shenzhen (CN)

(**) Term: **15 Years**

(21) Appl. No.: **29/696,328**

(22) Filed: **Jun. 26, 2019**

(30) **Foreign Application Priority Data**

Mar. 27, 2019 (CN) 2019 3 0130768

(51) **LOC (12) Cl.** **16-05**

(52) **U.S. Cl.**
USPC **D16/237**

(58) **Field of Classification Search**

USPC D16/219, 237-250; D8/354, 355, 363,
D8/373, 382-383, 394-396; D14/224,
D14/229, 238, 251, 253, 447, 451, 457
CPC F16M 11/06-10; F16M 11/14; G02B
7/00-002; G03B 17/56; G03B
17/561-566; H04N 5/2253-5/2254
See application file for complete search history.

(56) **References Cited**

U.S. PATENT DOCUMENTS

D257,259 S * 10/1980 Shiraishi D16/244
D386,510 S * 11/1997 Peterson D16/244
D573,861 S * 7/2008 Hammer D8/72
9,360,744 B2 * 6/2016 Dering G03B 17/561
D765,649 S * 9/2016 Huang D14/253
D767,011 S * 9/2016 Huang D16/243
D780,248 S * 2/2017 Anari, III D16/242

9,958,759 B2 * 5/2018 Johnson, Sr. F16M 11/10
10,247,353 B1 * 4/2019 Chen F16M 11/16
D853,466 S * 7/2019 DeMarino D16/243
D853,670 S * 7/2019 Hu D32/40
D856,401 S * 8/2019 Liu D16/245

(Continued)

Primary Examiner — Vy N Koenig

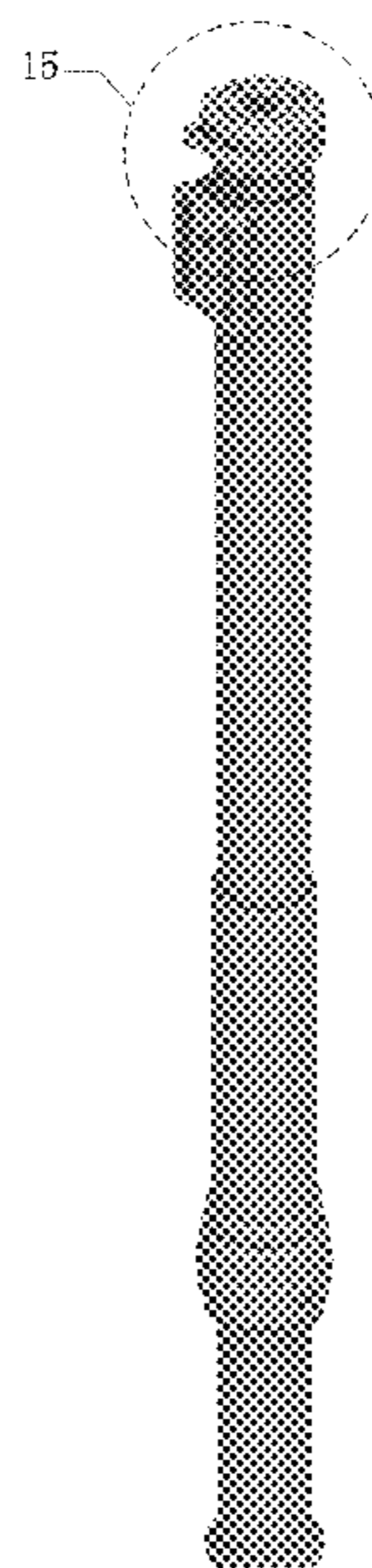
(57) **CLAIM**

The ornamental design for an electric expansion extension rod, as shown and described.

DESCRIPTION

FIG. 1 is a front elevational view of an electric expansion extension rod showing my new design;
FIG. 2 is a rear elevational view thereof;
FIG. 3 is a left side view thereof;
FIG. 4 is a right side view thereof;
FIG. 5 is a top plan view thereof;
FIG. 6 is a bottom plan view thereof;
FIG. 7 is a top, front and right side perspective view thereof;
FIG. 8 is a top, front and left side perspective view thereof;
FIG. 9 is a top, rear and right side perspective view thereof;
FIG. 10 is a top, rear and left side perspective view thereof;
FIG. 11 is a bottom, rear and left side perspective view thereof;
FIG. 12 is a bottom, front and left side perspective view thereof;
FIG. 13 is a bottom, front and right side perspective view thereof;
FIG. 14 is a bottom, rear and right side perspective view thereof;
FIG. 15 is an enlarged view of portion 15 in FIG. 7;
FIG. 16 is an enlarged view of portion 16 in FIG. 11; and,
FIG. 17 is an enlarged view of portion 17 in FIG. 11.

1 Claim, 16 Drawing Sheets



(56)

References Cited

U.S. PATENT DOCUMENTS

2015/0003820 A1* 1/2015 Li G03B 17/561
396/428
2017/0009802 A1* 1/2017 Uke G03B 17/563

* cited by examiner

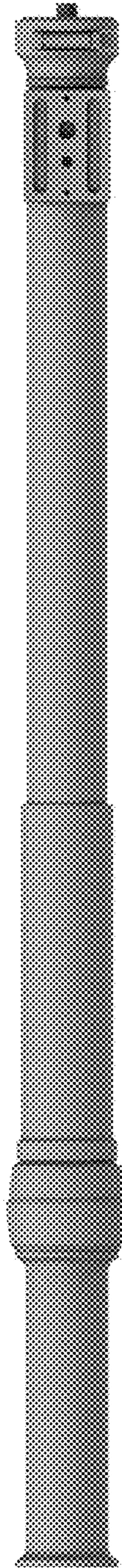


Fig. 1

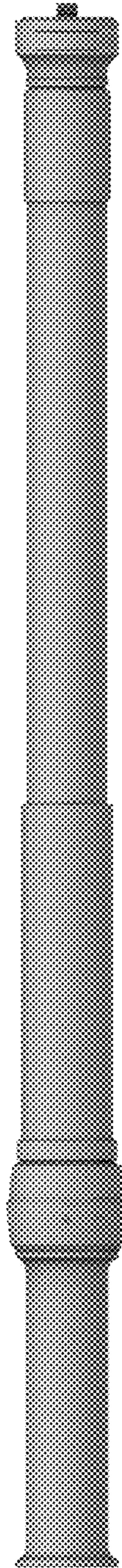


Fig. 2

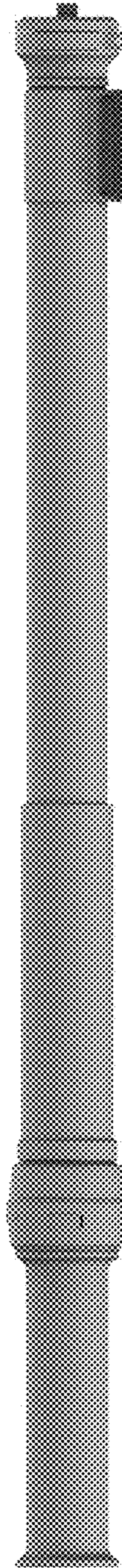


Fig. 3

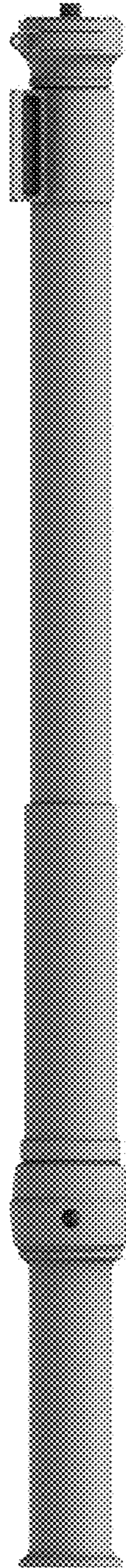


Fig. 4

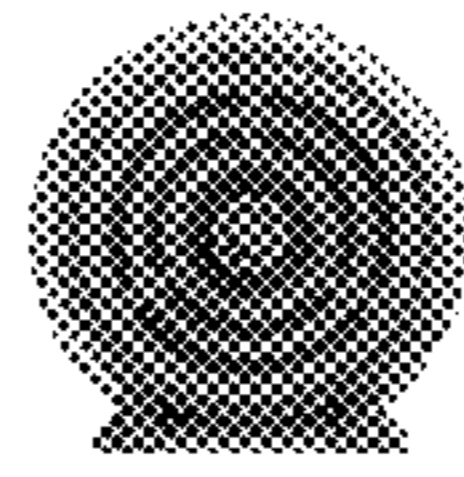


Fig. 5

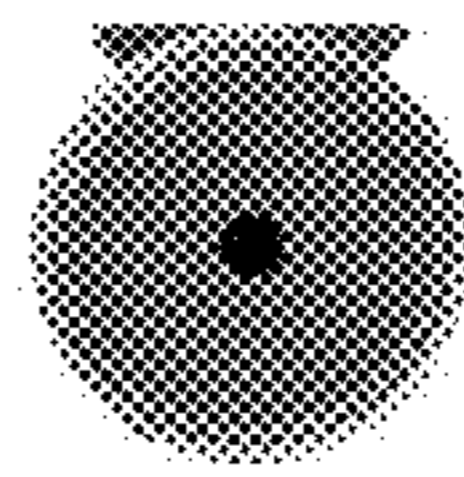


Fig. 6

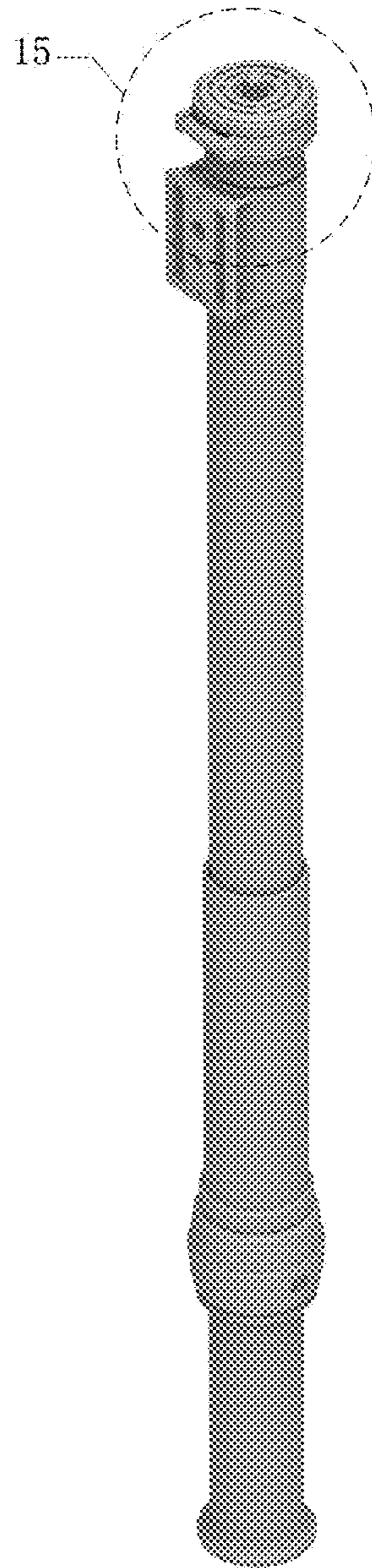


Fig. 7

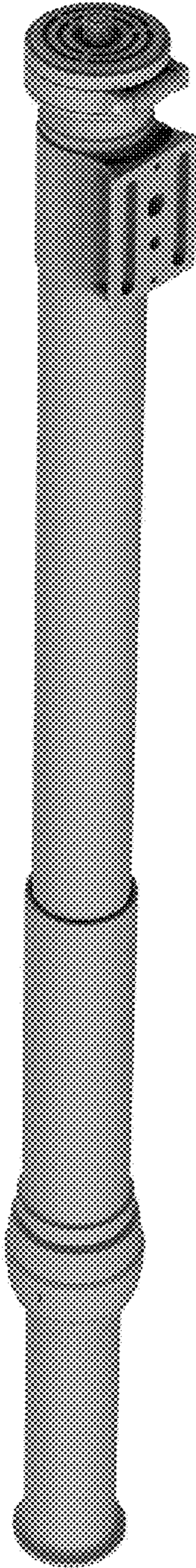


Fig. 8

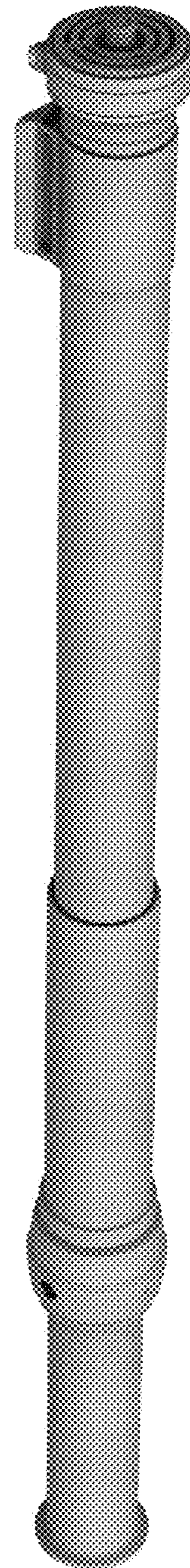


Fig. 9

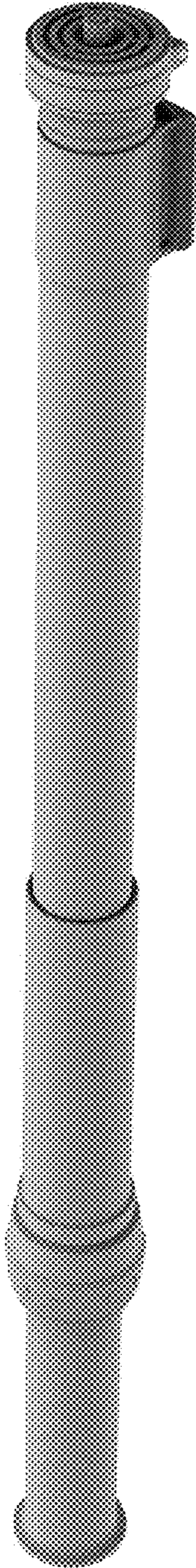


Fig. 10

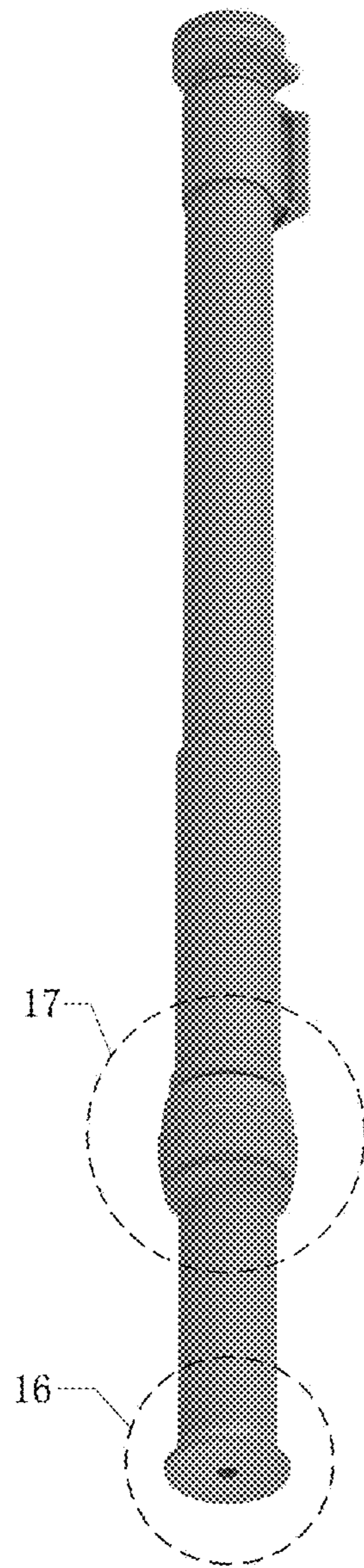


Fig. 11

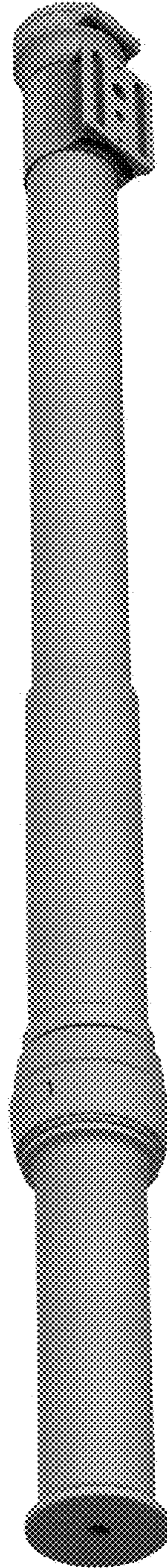


Fig. 12

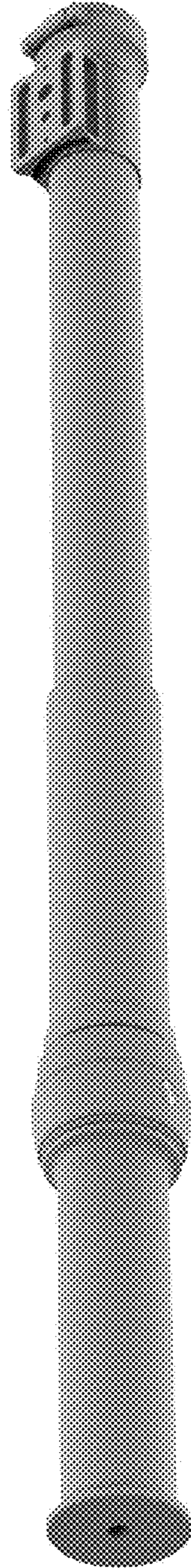


Fig. 13

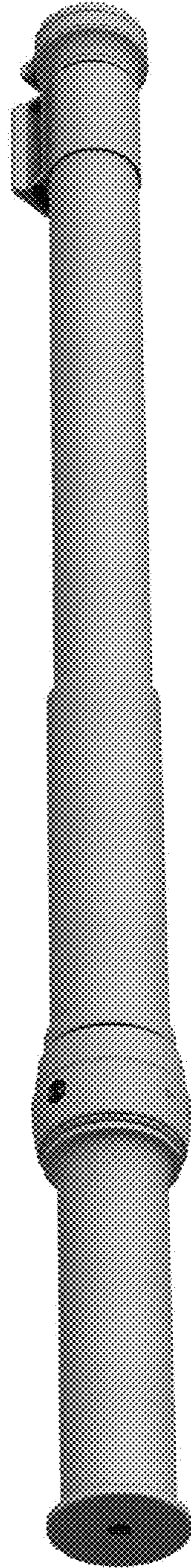


Fig. 14

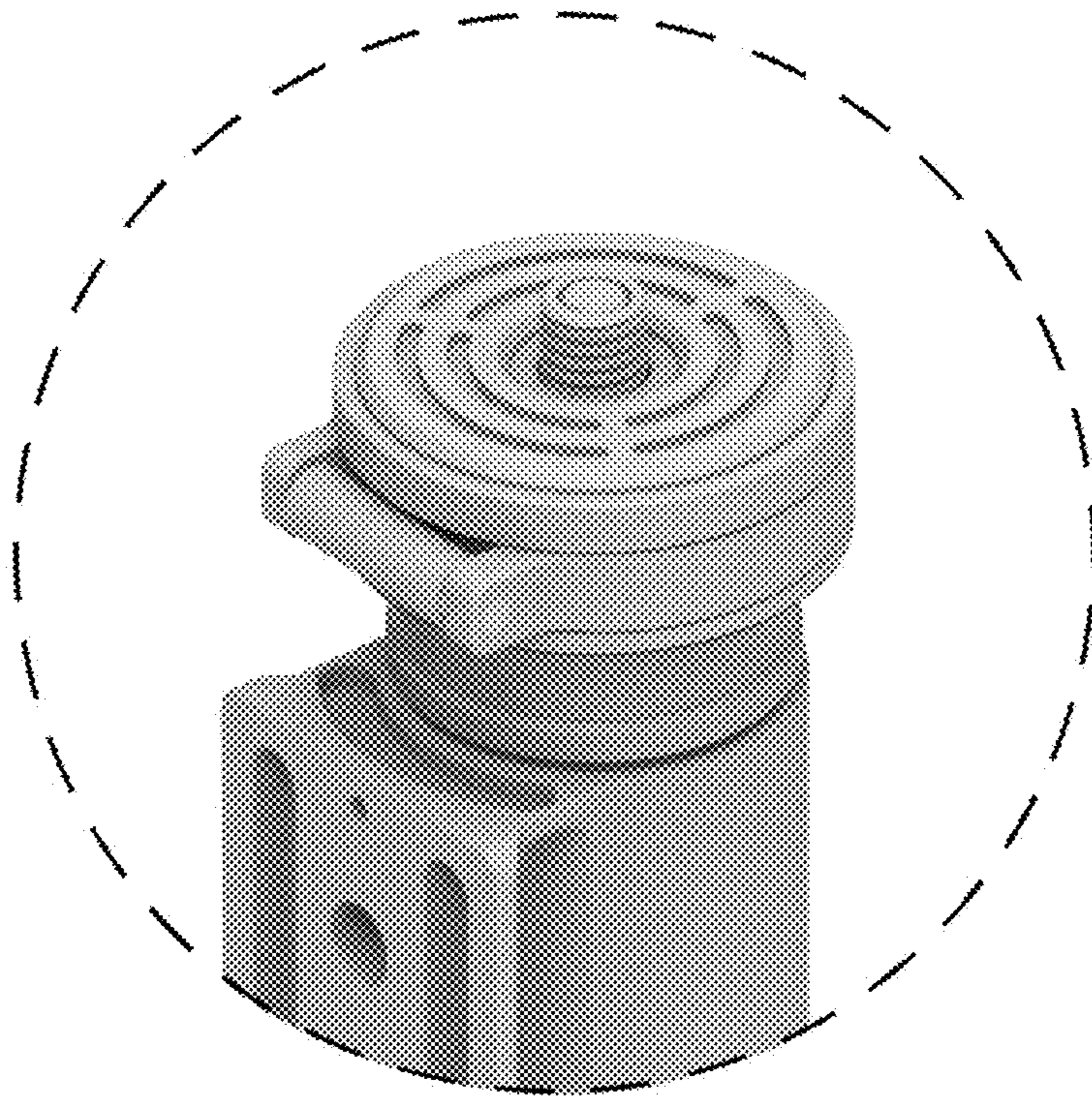


Fig. 15

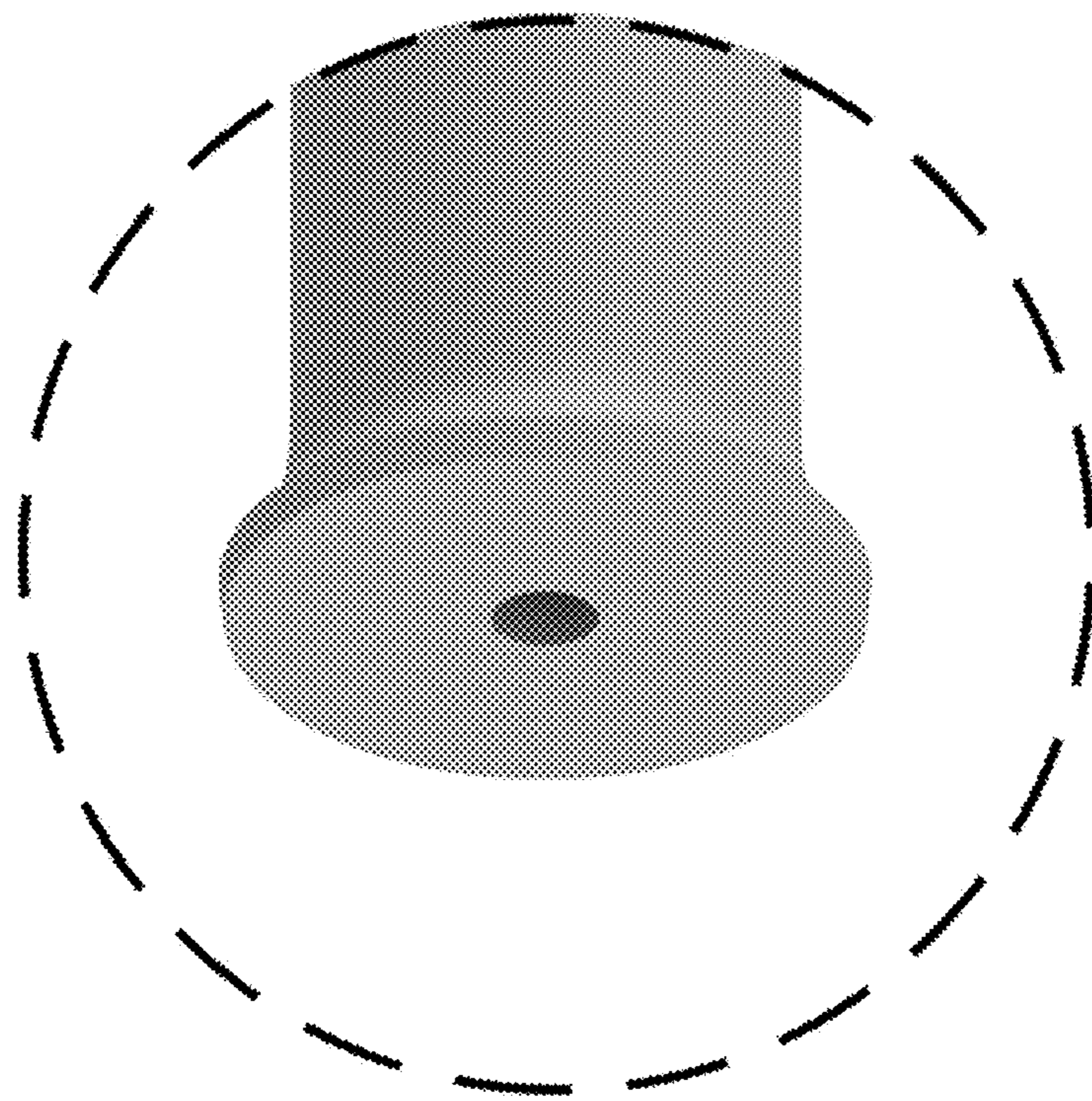


Fig. 16

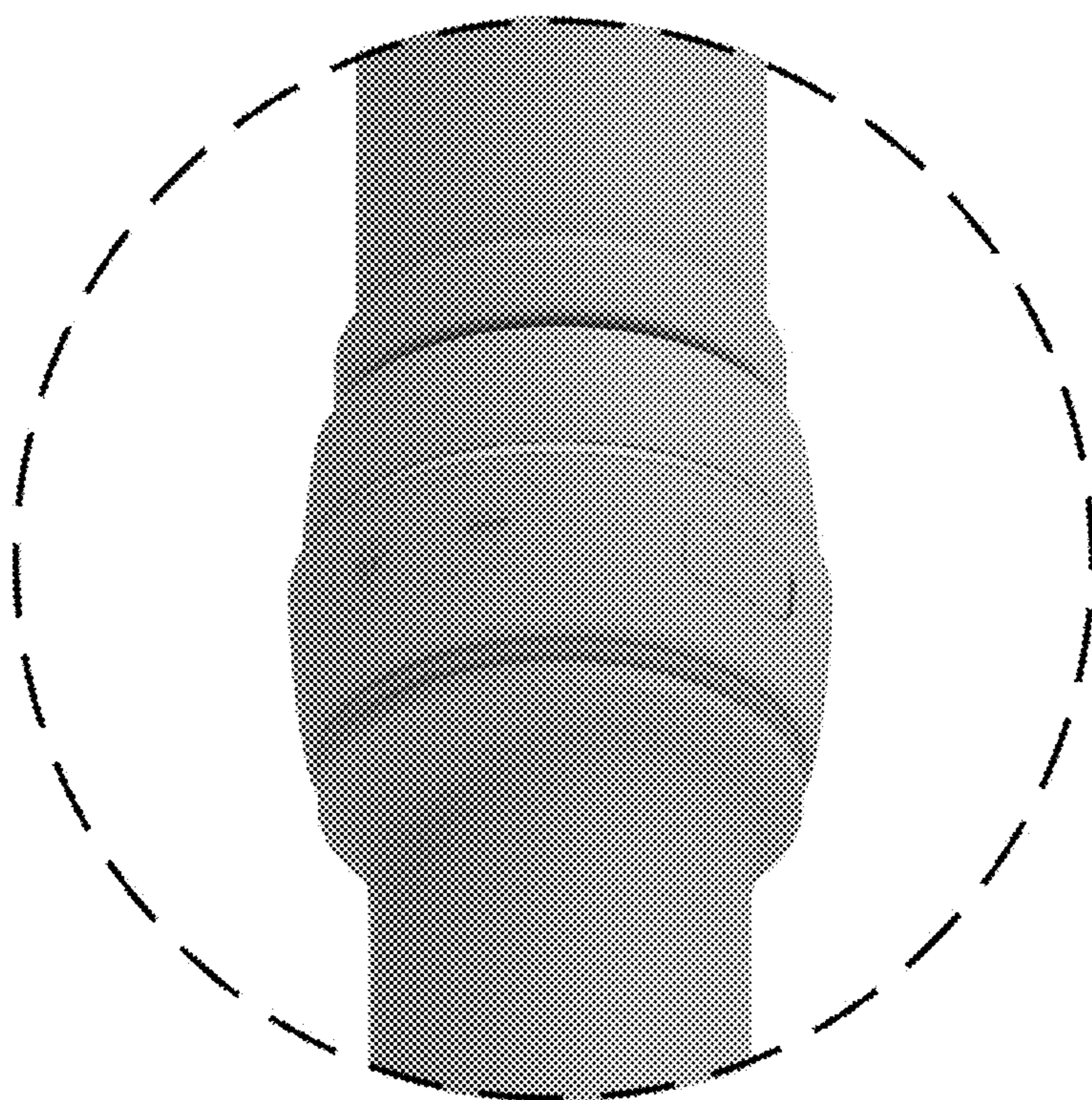


Fig. 17