



US00D902981S

(12) **United States Design Patent**  
**Wu et al.**

(10) **Patent No.:** **US D902,981 S**

(45) **Date of Patent:** **\*\* Nov. 24, 2020**

(54) **DRIVING UNIT FOR A CAMERA LENS**

(71) Applicant: **TDK TAIWAN CORP.**, Taoyuan (TW)

(72) Inventors: **Fu-Yuan Wu**, Taipei (TW); **Kun-Shih Lin**, Taipei (TW); **Shang-Yu Hsu**, Taipei (TW); **Yi-Ho Chen**, Taipei (TW); **Shih-Ting Huang**, Taipei (TW); **Shou-Jen Liu**, Taipei (TW); **Chien-Lun Huang**, Taipei (TW); **Yi-Hsin Nieh**, Taipei (TW); **Chen-Chi Kuo**, Taipei (TW); **Chia-Pin Hsu**, Taipei (TW); **Yu-Huai Liao**, Taipei (TW); **Shin-Hua Chen**, Taipei (TW); **Yu-Cheng Lin**, Taipei (TW); **Shao-Chung Chang**, Taipei (TW); **Kuo-Chun Kao**, Taipei (TW); **Chia-Hsiu Liu**, Taipei (TW); **Chao-Chun Chang**, Taipei (TW); **Yuan-Shih Liao**, Taipei (TW)

(73) Assignee: **TDK TAIWAN CORP.**, Taoyuan (TW)

(\*\*) Term: **15 Years**

(21) Appl. No.: **29/633,352**

(22) Filed: **Jan. 12, 2018**

(51) **LOC (12) Cl.** ..... **16-05**

(52) **U.S. Cl.**  
USPC ..... **D16/219**

(58) **Field of Classification Search**  
USPC ..... D16/200, 218, 219; D13/182, 184, 199  
CPC ..... G02B 27/646; G02B 7/08; G02B 7/09;  
G02B 7/04; G03B 3/10; H02K 11/02;  
H02K 11/215

See application file for complete search history.

(56) **References Cited**

**U.S. PATENT DOCUMENTS**

9,360,653 B2 \* 6/2016 Lee ..... H04N 5/2251  
9,910,290 B2 \* 3/2018 Dong ..... G02B 27/646

9,955,086 B2 \* 4/2018 Park ..... G02B 7/08  
10,203,471 B2 \* 2/2019 Kuo ..... G02B 7/026  
10,205,371 B2 \* 2/2019 Chou ..... G02B 7/08  
D850,514 S \* 6/2019 Hsu ..... D16/219

(Continued)

**OTHER PUBLICATIONS**

Bi-direction type autofocus actuator, published Jul. 8, 2015 [online], [retrieved Jul. 8, 2019], Available from Internet, URL: <https://www.eenewseurope.com/news/bi-direction-type-autofocus-actuator>.\*

(Continued)

*Primary Examiner* — Dana K Weiland  
*Assistant Examiner* — Mary Claire Ramirez  
(74) *Attorney, Agent, or Firm* — Muncy, Geissler, Olds & Lowe, P.C.

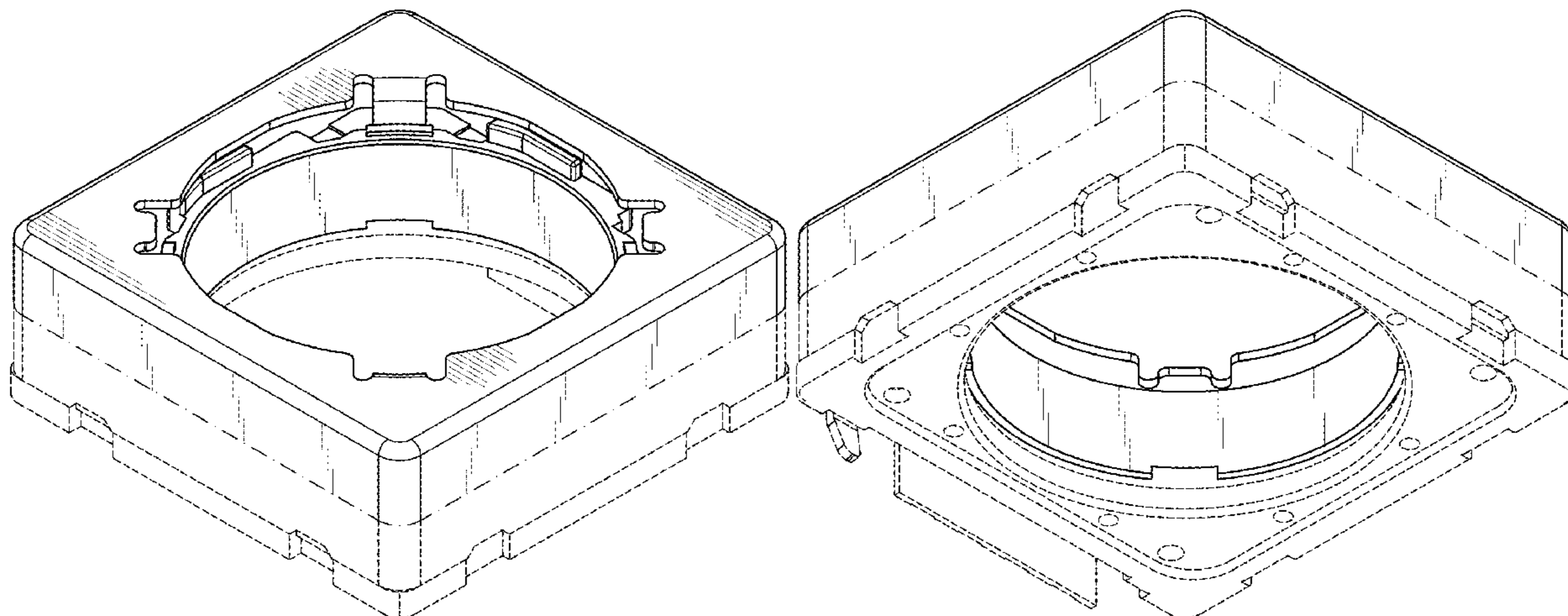
(57) **CLAIM**

The ornamental design for a driving unit for a camera lens, as shown and described.

**DESCRIPTION**

FIG. 1 is a top perspective view of a driving unit for a camera lens showing our new design. FIG. 2 is a front elevation view thereof; FIG. 3 is a rear elevation view thereof; FIG. 4 is a left side elevation view thereof; FIG. 5 is a right side elevation view thereof; FIG. 6 is a top plan view thereof; FIG. 7 is a bottom plan view thereof; and, FIG. 8 is a bottom perspective view thereof. The broken lines shown in the drawings depict portions of the driving unit for a camera lens that form no part of the claimed design. The dot-dash lines shown in the drawings depict the boundary of the claim and form no part of the claimed design.

**1 Claim, 6 Drawing Sheets**



(56)

References Cited

U.S. PATENT DOCUMENTS

10,520,700 B2 \* 12/2019 Lee ..... G02B 27/646  
 10,531,012 B2 \* 1/2020 Park ..... H04N 5/2253  
 10,649,172 B2 \* 5/2020 Liu ..... G02B 7/08  
 2012/0300111 A1 \* 11/2012 Ke ..... H04N 5/2254  
 348/335  
 2013/0176634 A1 \* 7/2013 Dinesen ..... G03B 3/10  
 359/814  
 2014/0049847 A1 \* 2/2014 Hsu ..... G02B 7/08  
 359/823  
 2014/0132813 A1 \* 5/2014 Chen ..... H04N 5/2257  
 348/308  
 2014/0256379 A1 \* 9/2014 Hsu ..... G03B 3/10  
 455/556.1  
 2014/0340775 A1 \* 11/2014 Hsu ..... H04M 1/0264  
 359/824  
 2015/0124160 A1 \* 5/2015 Min ..... H04N 5/2257  
 348/373  
 2015/0177479 A1 \* 6/2015 Lee ..... G03B 3/10  
 359/824  
 2015/0309282 A1 \* 10/2015 Lee ..... G02B 7/09  
 359/814  
 2015/0323758 A1 \* 11/2015 Lee ..... G03B 3/10  
 359/824  
 2016/0025951 A1 \* 1/2016 Park ..... G02B 27/646  
 359/824  
 2016/0028297 A1 \* 1/2016 Hsu ..... G02B 7/09  
 359/824  
 2016/0077305 A1 \* 3/2016 Park ..... G02B 7/09  
 359/824  
 2016/0109680 A1 \* 4/2016 Park ..... G02B 7/08  
 359/824  
 2016/0178924 A1 \* 6/2016 Lim ..... G02B 7/08  
 359/557

2016/0187612 A1 \* 6/2016 Chiu ..... G02B 7/08  
 359/824  
 2016/0209671 A1 \* 7/2016 Hee ..... G02B 27/646  
 2016/0320584 A1 \* 11/2016 Lee ..... G02B 27/646  
 2017/0017056 A1 \* 1/2017 Park ..... G02B 7/08  
 2017/0123180 A1 \* 5/2017 Osaka ..... G02B 7/09  
 2017/0153409 A1 \* 6/2017 Chan ..... G02B 7/026  
 2017/0285443 A1 \* 10/2017 Hu ..... G03B 5/04  
 2018/0011284 A1 \* 1/2018 Park ..... G02B 7/102  
 2018/0017842 A1 \* 1/2018 Hsu ..... G03B 7/08  
 2018/0113274 A1 \* 4/2018 Jung ..... H02K 11/33  
 2018/0164539 A1 \* 6/2018 Hsu ..... G02B 7/021  
 2018/0180838 A1 \* 6/2018 Wu ..... G02B 7/09  
 2018/0213131 A1 \* 7/2018 Liu ..... H04N 5/2253  
 2018/0252893 A1 \* 9/2018 Park ..... G02B 7/09  
 2018/0284385 A1 \* 10/2018 Liu ..... G02B 7/08  
 2018/0335602 A1 \* 11/2018 Hu ..... G02B 7/04  
 2019/0033552 A1 \* 1/2019 Lin ..... G02B 7/08  
 2019/0041602 A1 \* 2/2019 Lee ..... G01J 3/28  
 2019/0107685 A1 \* 4/2019 Kim ..... H04N 5/2253  
 2019/0121158 A1 \* 4/2019 Chan ..... G02B 7/02  
 2019/0373149 A1 \* 12/2019 Liu ..... G03B 5/00  
 2019/0373175 A1 \* 12/2019 Jung ..... G03B 13/36  
 2019/0377154 A1 \* 12/2019 Zhang ..... G02B 7/08  
 2019/0391361 A1 \* 12/2019 Wu ..... G02B 7/09  
 2019/0391362 A1 \* 12/2019 Wu ..... G02B 7/09

OTHER PUBLICATIONS

Apple Camera Autofocus, published Jan. 15, 2014 [online], [retrieved Jul. 8, 2019], Available from Internet, URL: <https://ipadhelp.com/iphone/apple-camera-patent-published-prepares-for-improved-autofocus-and-ois-in-iphone-6/>.\*

\* cited by examiner

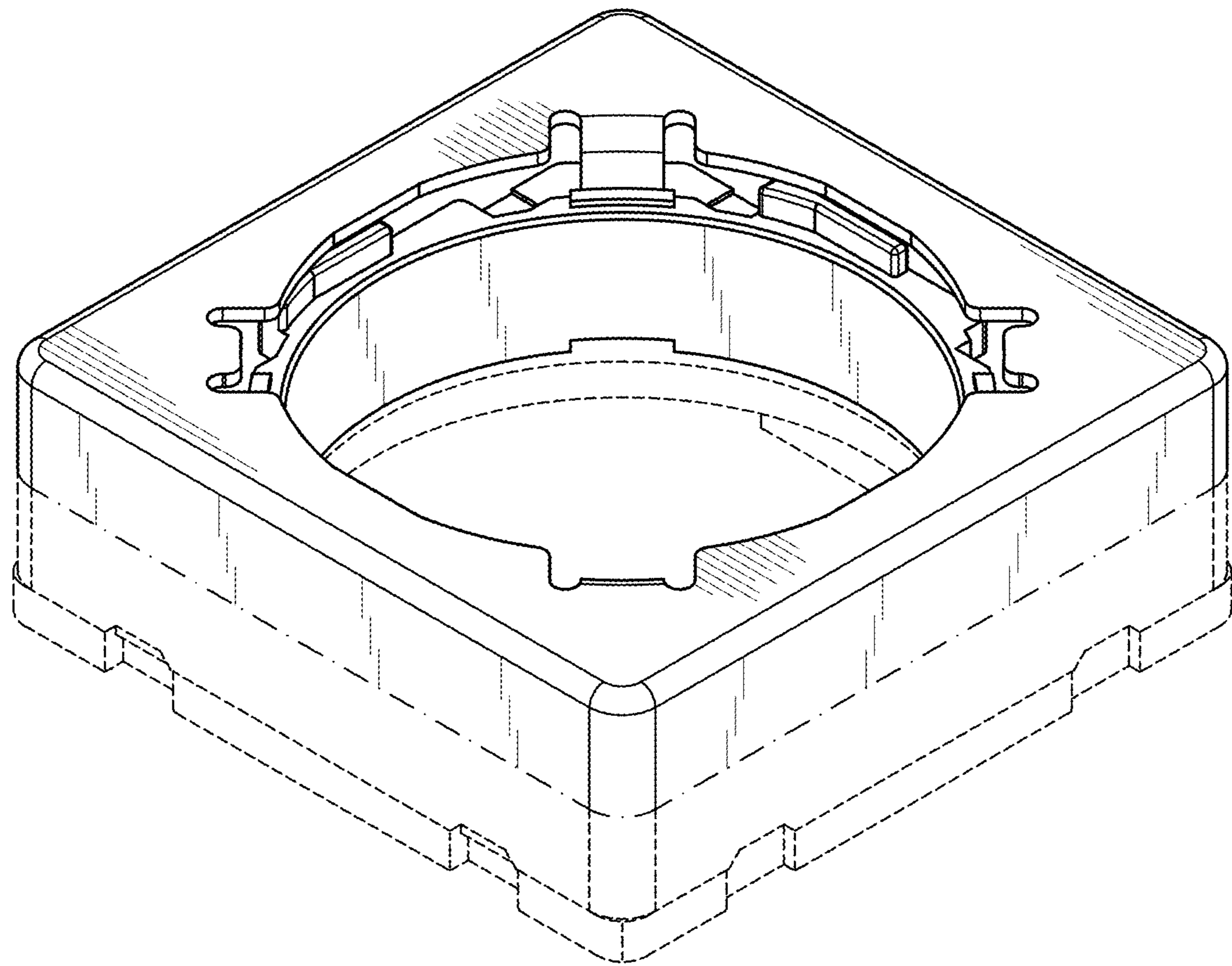


FIG. 1



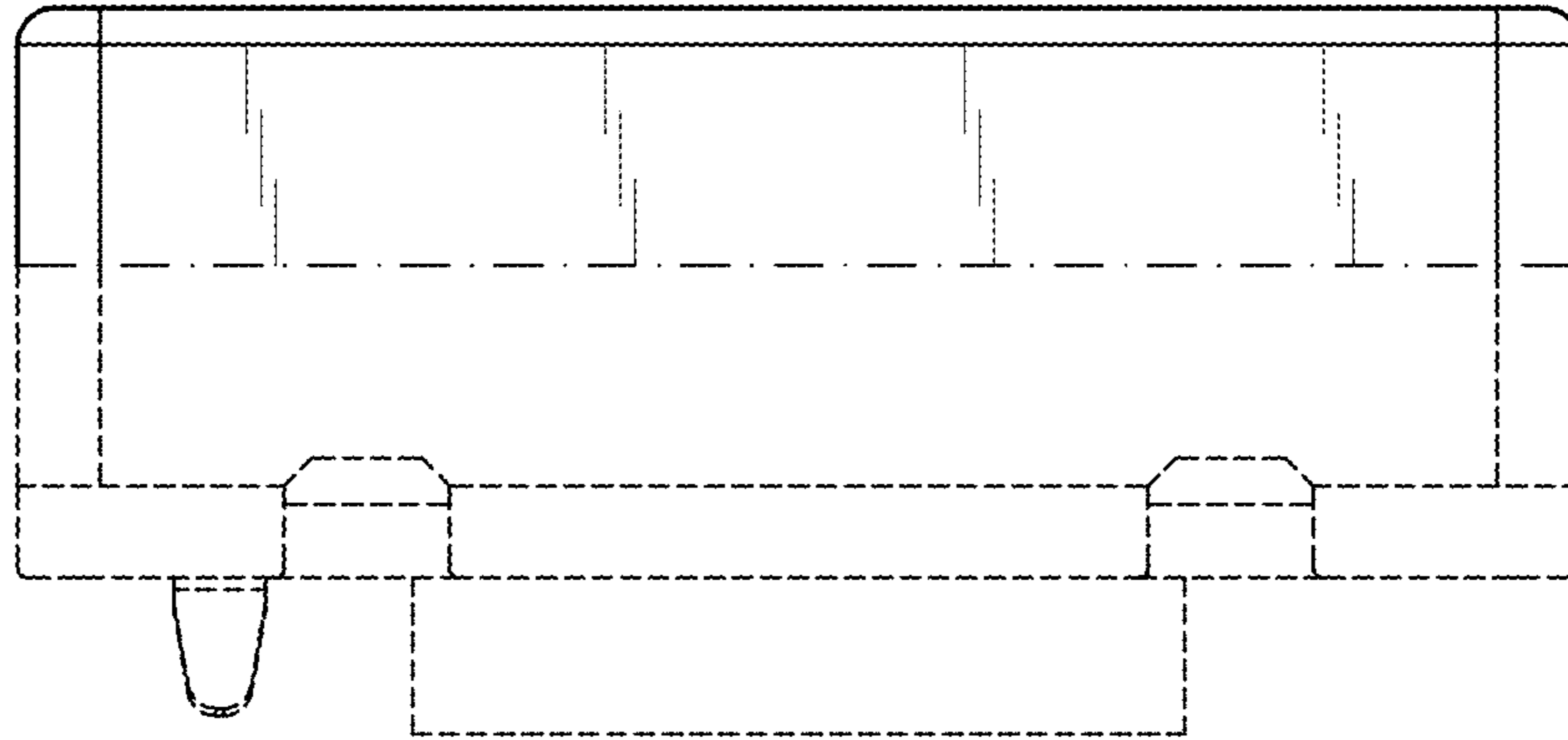


FIG. 2

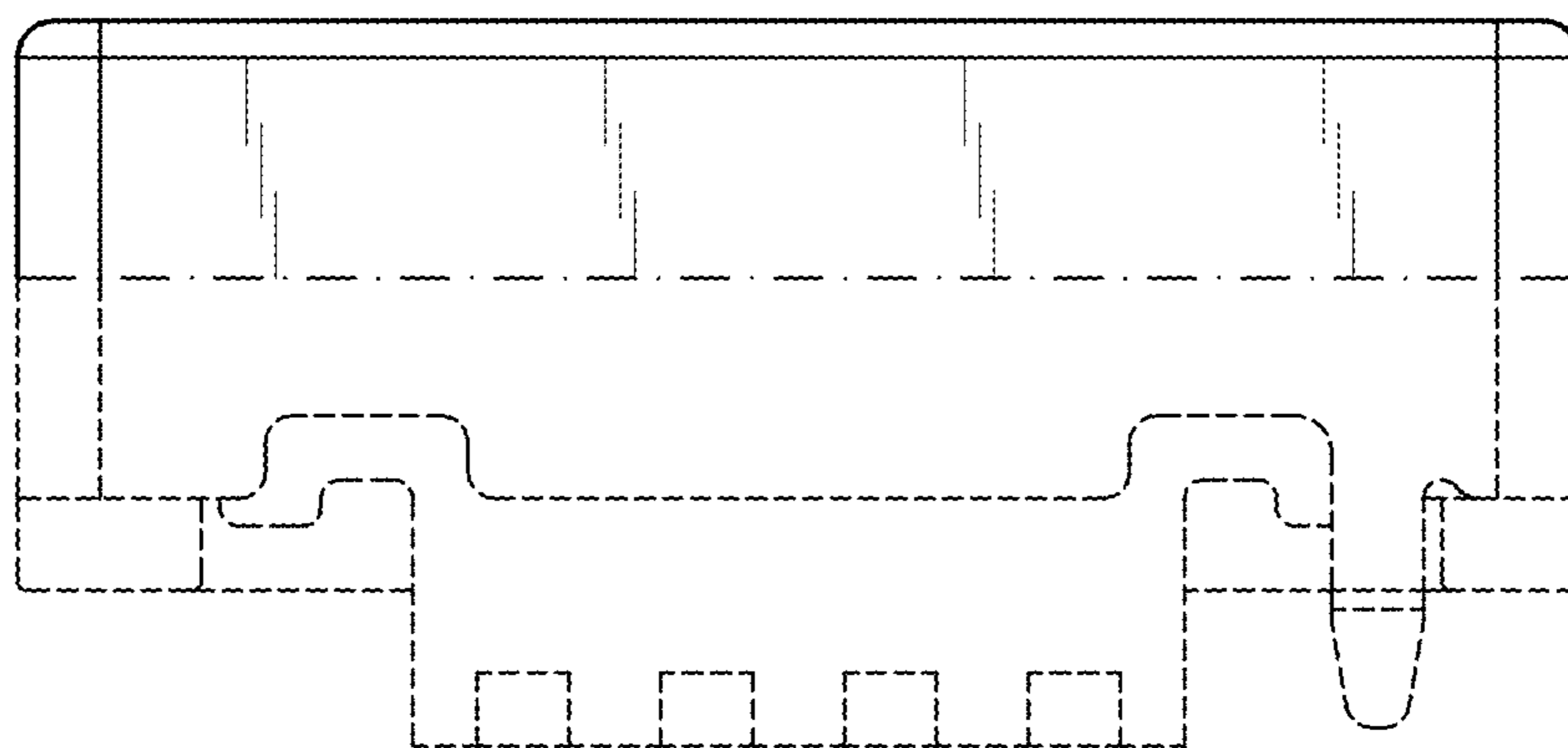


FIG. 3

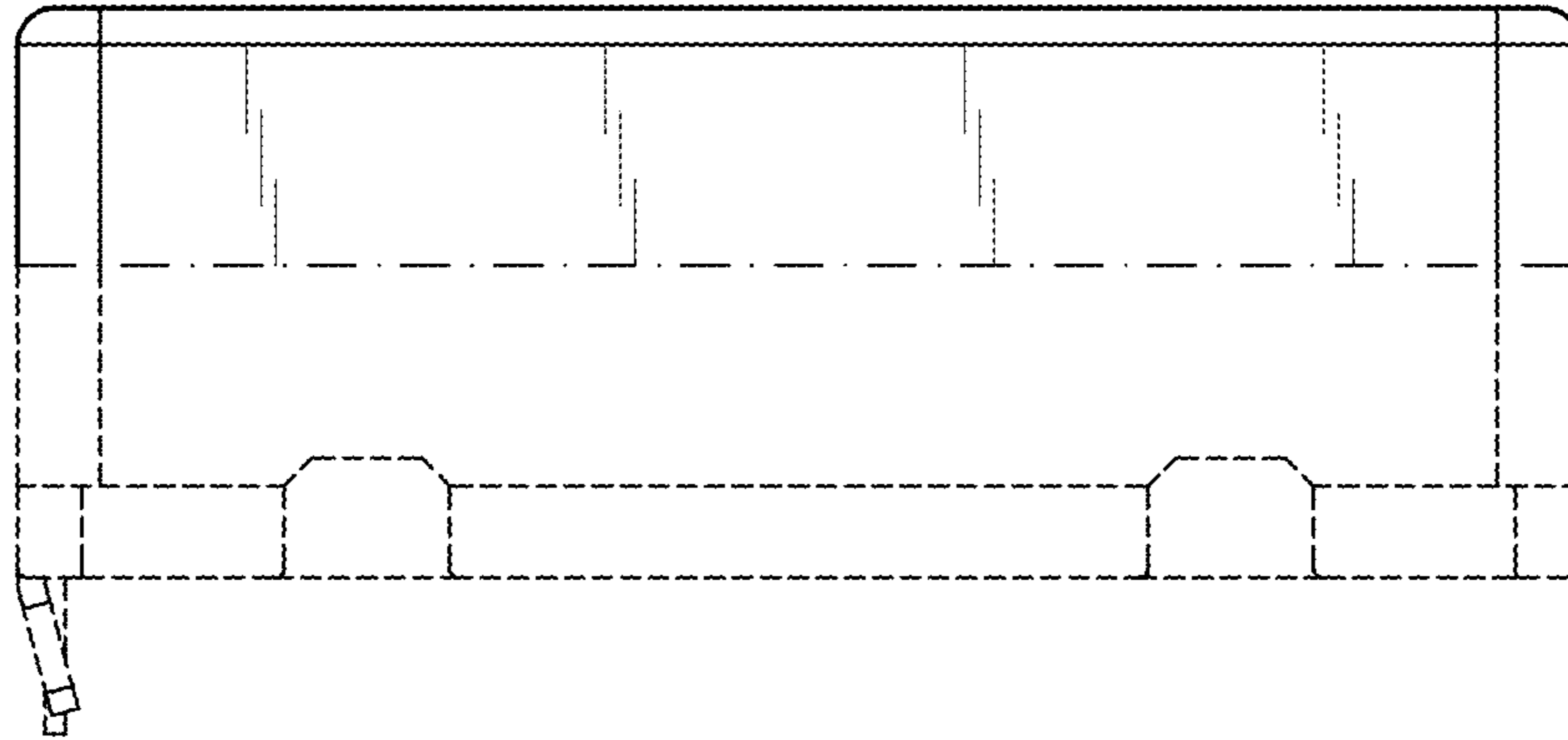


FIG. 4

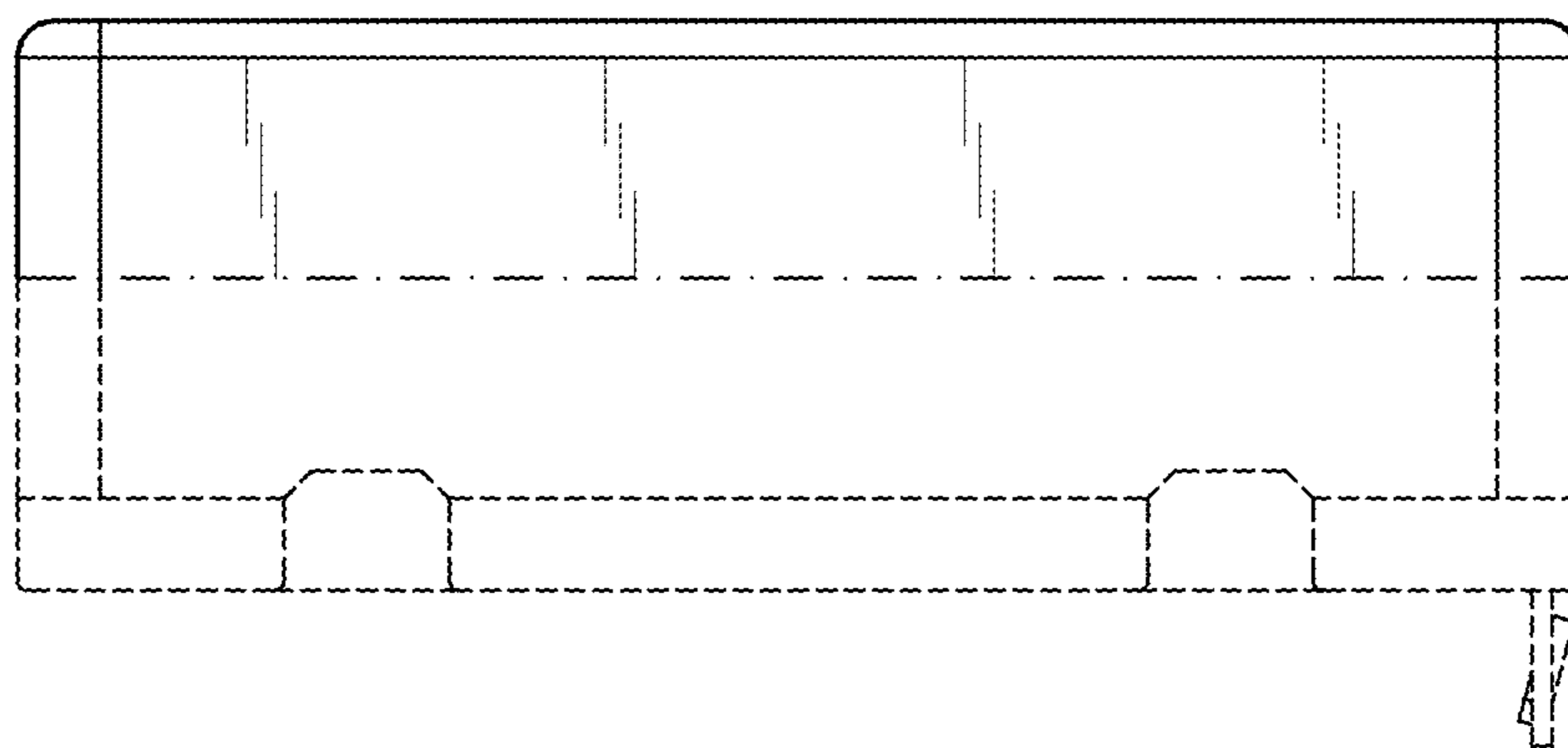


FIG. 5

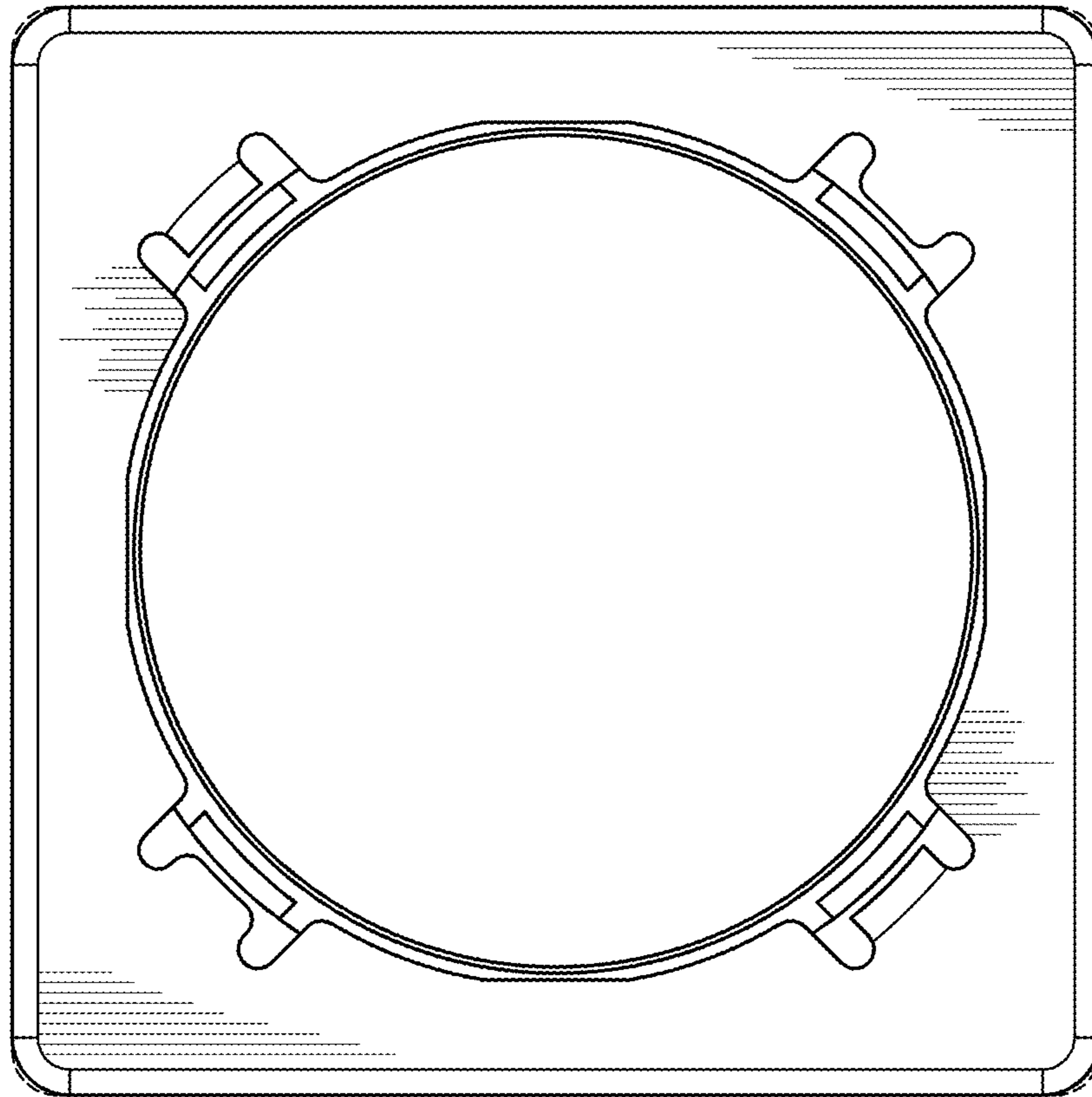


FIG. 6

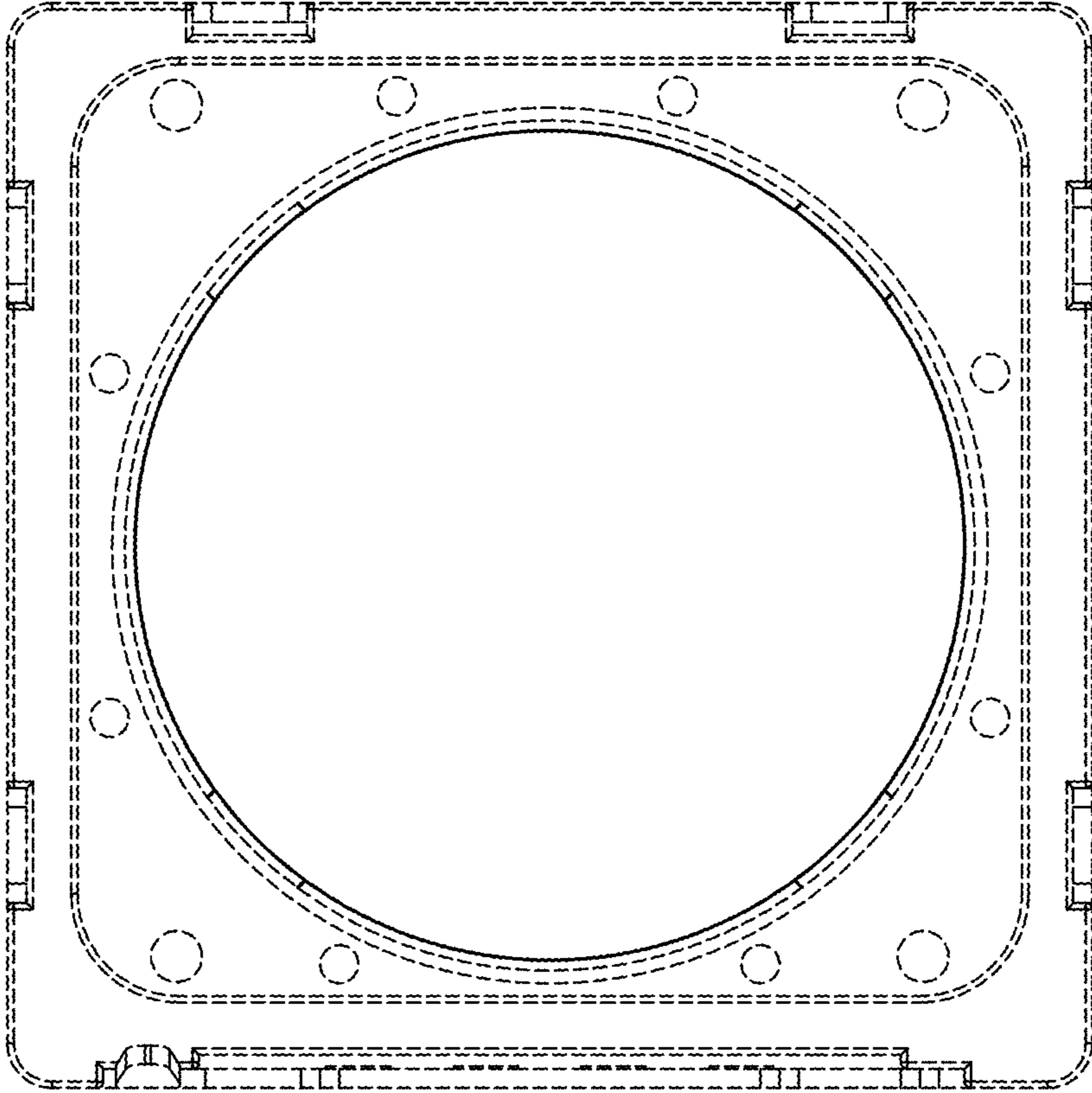


FIG. 7

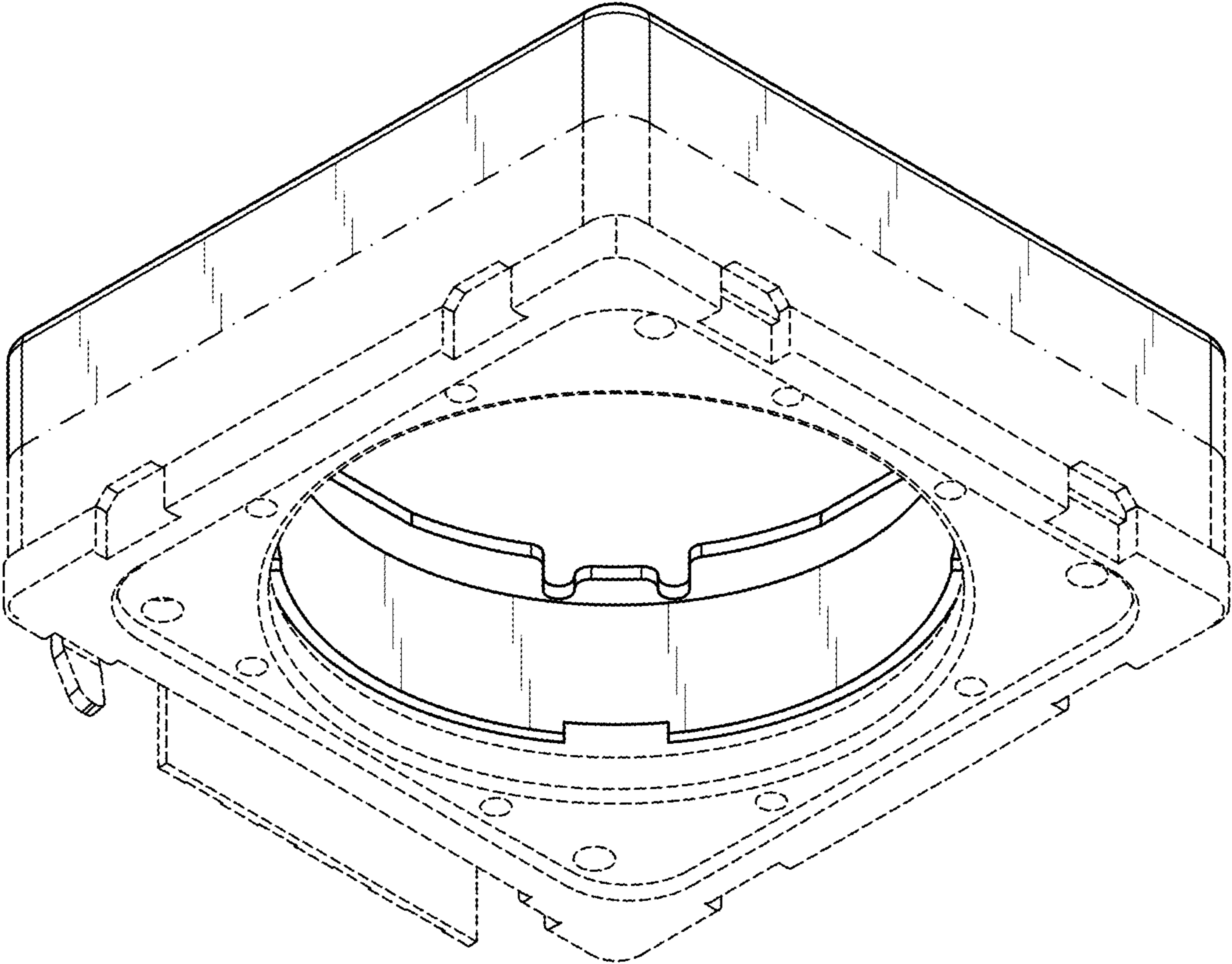


FIG. 8