



US00D902979S

(12) **United States Design Patent** (10) **Patent No.:** **US D902,979 S**
Lin (45) **Date of Patent:** **** Nov. 24, 2020**

(54) **HANDHELD THERMAL IMAGER**
(71) Applicant: **Hangzhou Hikmicro Sensing Technology Co., Ltd., Hangzhou (CN)**
(72) Inventor: **Dingsong Lin, Hangzhou (CN)**
(73) Assignee: **Hangzhou Hikmicro Sensing Technology Co., Ltd., Hangzhou (CN)**
(**) Term: **15 Years**
(21) Appl. No.: **29/680,121**
(22) Filed: **Feb. 13, 2019**
(30) **Foreign Application Priority Data**

Sep. 30, 2018 (CN) 2018 3 0554412
(51) **LOC (12) Cl.** **16-01**
(52) **U.S. Cl.**
USPC **D16/206**
(58) **Field of Classification Search**
USPC D16/200, 202-206, 208, 218, 219, 242;
348/164, 347, 373-376; 396/535,
396/539-541; 250/330, 332
CPC G03B 15/03; G03B 17/02; G03B 17/04;
G03B 17/56; G03B 19/04; H04N 5/2251;
H04N 5/2252; H04N 5/2253; H04N
5/2254; H04N 2101/00; H04N 5/33;
H04N 5/332

See application file for complete search history.

(56) **References Cited**

U.S. PATENT DOCUMENTS

D665,440 S *	8/2012	Sigward	D16/206
D710,424 S *	8/2014	Hallgren	D16/206
D723,605 S *	3/2015	Palm	D16/206
D741,390 S *	10/2015	Mayeur	D16/206
D780,245 S *	2/2017	Ruback	D16/206
D805,572 S *	12/2017	Hogstedt	D16/206
D849,574 S *	5/2019	Sanders	D10/78
D865,028 S *	10/2019	Hogstedt	D16/206
D870,182 S *	12/2019	Lin	D16/206
D880,559 S *	4/2020	Lin	D16/206

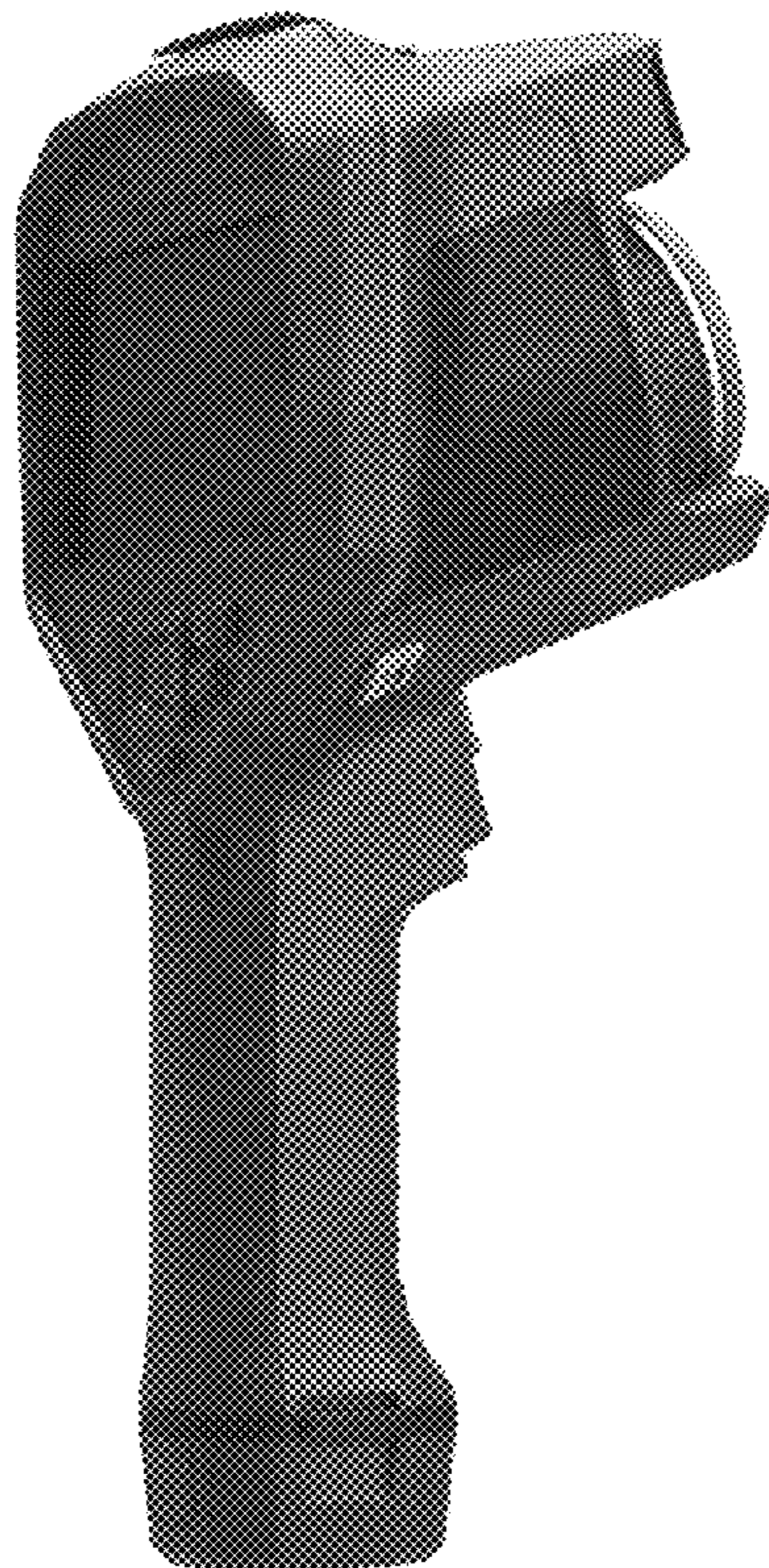
* cited by examiner
Primary Examiner — Ramzi S Almatrahi
(74) *Attorney, Agent, or Firm* — Clements Bernard Walker; Seth L. Hudson

(57) **CLAIM**
The ornamental design for a handheld thermal imager, as shown and described.

DESCRIPTION

FIG. 1 is a perspective view of a handheld thermal imager showing my new design;
FIG. 2 is a front elevation view thereof;
FIG. 3 is a back elevation view thereof;
FIG. 4 is a left side elevation view thereof;
FIG. 5 is a right side elevation view thereof;
FIG. 6 is a top plan view thereof; and,
FIG. 7 is a bottom plan view thereof.

1 Claim, 3 Drawing Sheets



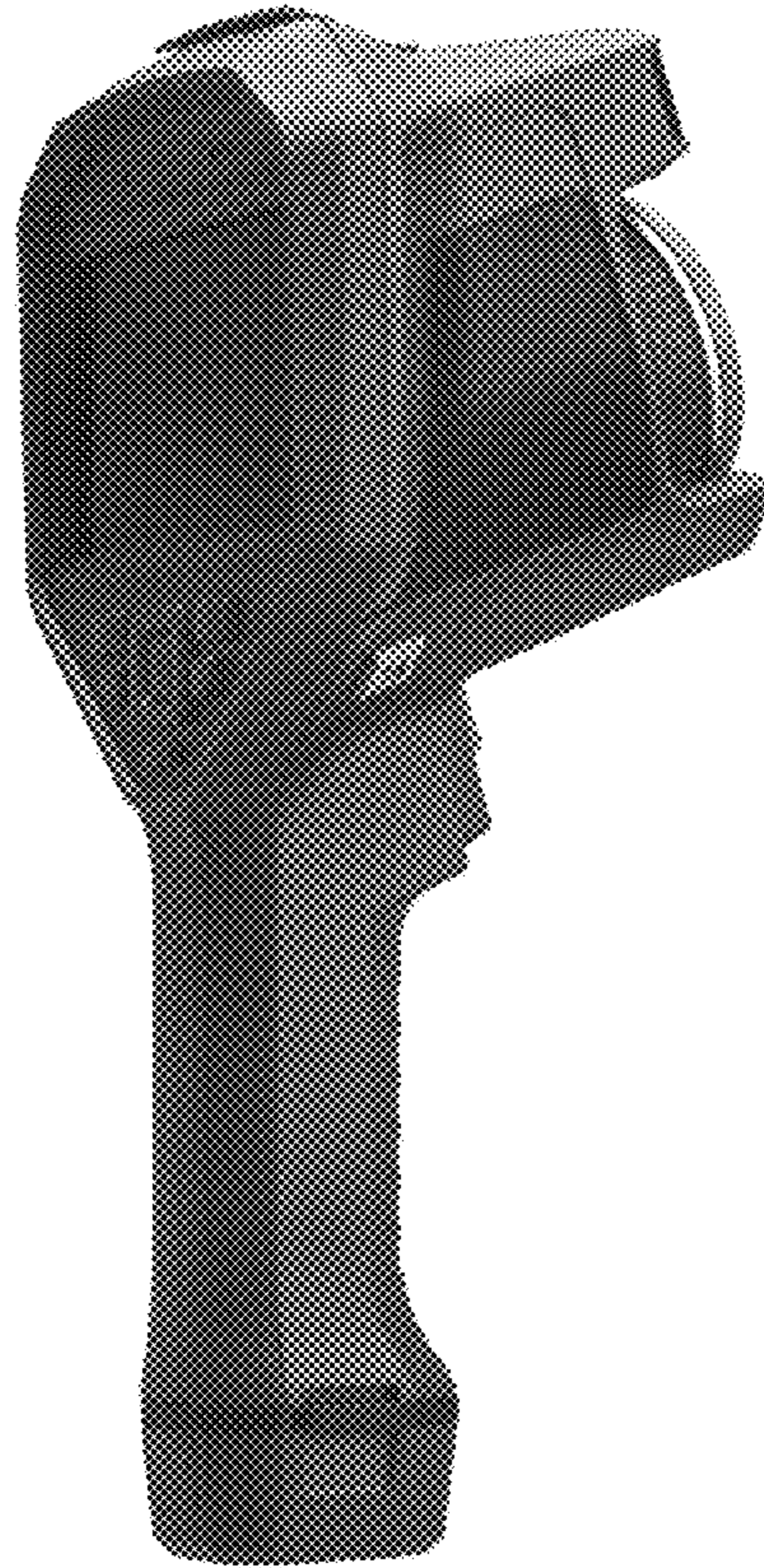


FIG. 1



FIG. 2



FIG. 3

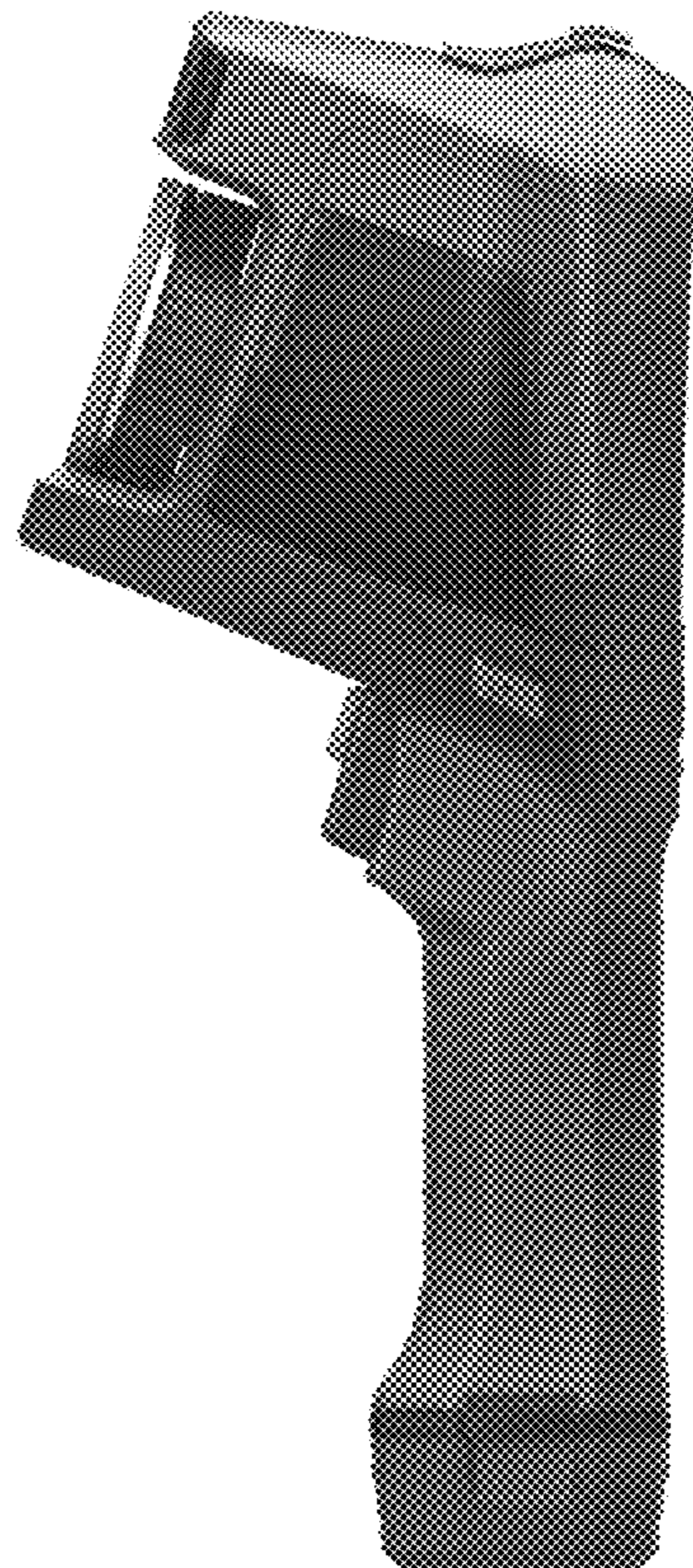


FIG. 4



FIG. 5

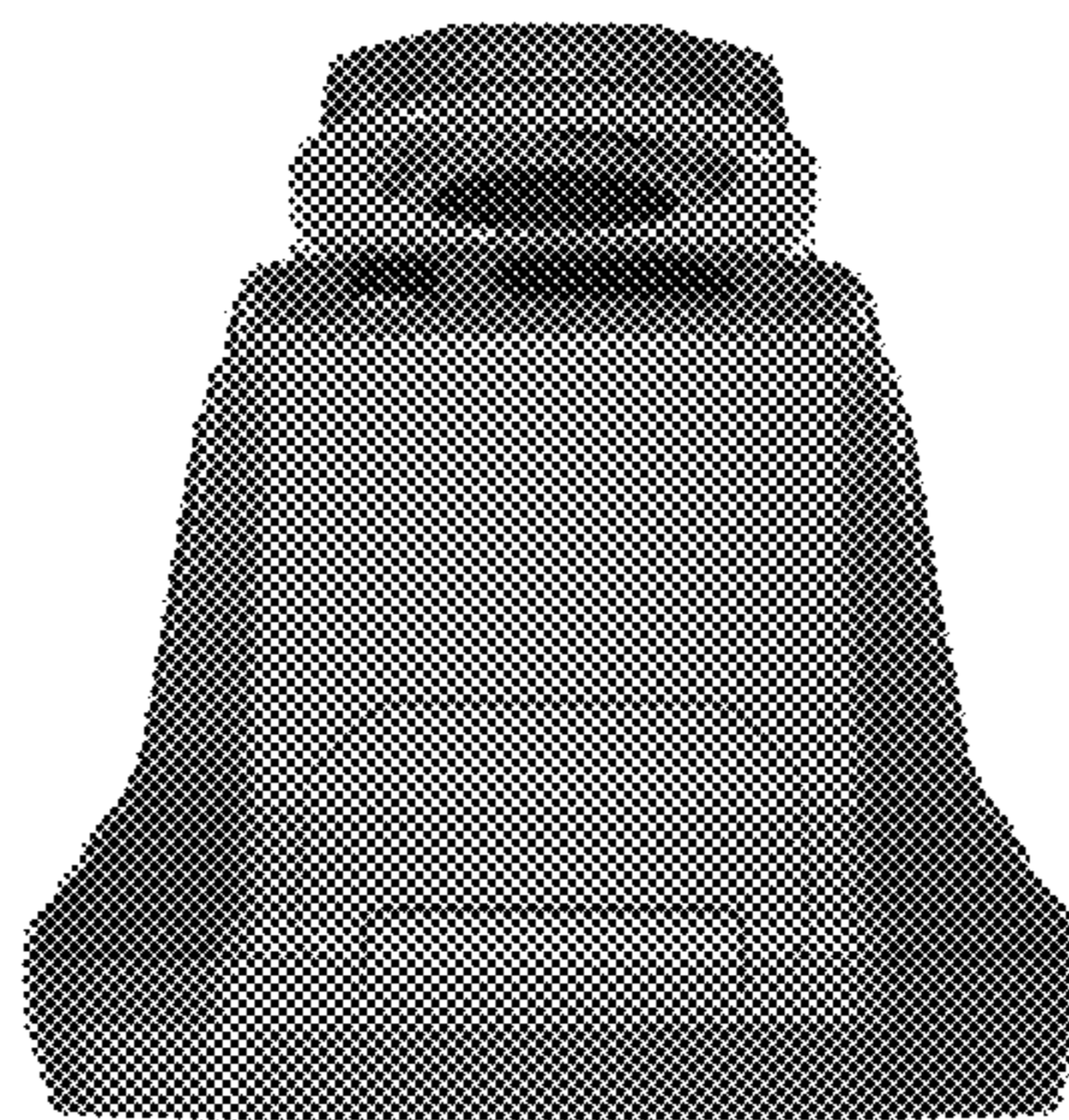


FIG. 6



FIG. 7