



US00D902978S

(12) **United States Design Patent** (10) **Patent No.:** **US D902,978 S**  
**England et al.** (45) **Date of Patent:** **\*\* Nov. 24, 2020**

- (54) **SECURITY CAMERA**
- (71) Applicant: **Amazon Technologies, Inc.**, Seattle, WA (US)
- (72) Inventors: **Matthew J. England**, Santa Monica, CA (US); **Wen-Yo Lu**, Pasadena, CA (US); **Christopher Loew**, Palo Alto, CA (US)
- (73) Assignee: **Amazon Technologies, Inc.**, Seattle, WA (US)
- (\*\*) Term: **15 Years**
- (21) Appl. No.: **29/706,831**
- (22) Filed: **Sep. 24, 2019**
- (51) **LOC (12) Cl.** ..... **16-01**
- (52) **U.S. Cl.**  
USPC ..... **D16/203**
- (58) **Field of Classification Search**  
USPC ..... D16/200, 202–206, 208, 218, 219, 242;  
348/143, 148, 151, 373–376; 396/419,  
396/427, 535, 539–541  
CPC ..... G03B 17/02; G03B 19/04; G03B 17/56;  
G03B 17/04; G03B 15/03; H04N 5/2251;  
H04N 5/2252; H04N 5/2253; H04N  
5/2254; H04N 7/181; H04N 7/183; H04N  
7/18; G08B 13/1963; G08B 13/19619;  
G08B 13/19632; F16M 11/04; F16M  
13/00  
See application file for complete search history.

- D701,893 S \* 4/2014 Bart ..... D16/214
- D747,383 S \* 1/2016 Li ..... D16/203
- D781,361 S \* 3/2017 Dimitriadis ..... D16/203
- D795,941 S \* 8/2017 Dimitriadis ..... D16/203
- D798,935 S \* 10/2017 Dimitriadis ..... D16/203
- D810,169 S \* 2/2018 Bhattacharya ..... D16/203
- D818,515 S \* 5/2018 Laurans ..... D16/203
- D821,477 S \* 6/2018 Moon ..... D16/203
- D834,631 S \* 11/2018 Park ..... D16/203
- D842,358 S \* 3/2019 Puric ..... D16/203
- D865,025 S \* 10/2019 Siminoff ..... D16/203

\* cited by examiner

*Primary Examiner* — Ramzi S Almatrahi  
(74) *Attorney, Agent, or Firm* — Lee & Hayes, P.C.

(57) **CLAIM**

The ornamental design for a security camera, as shown and described.

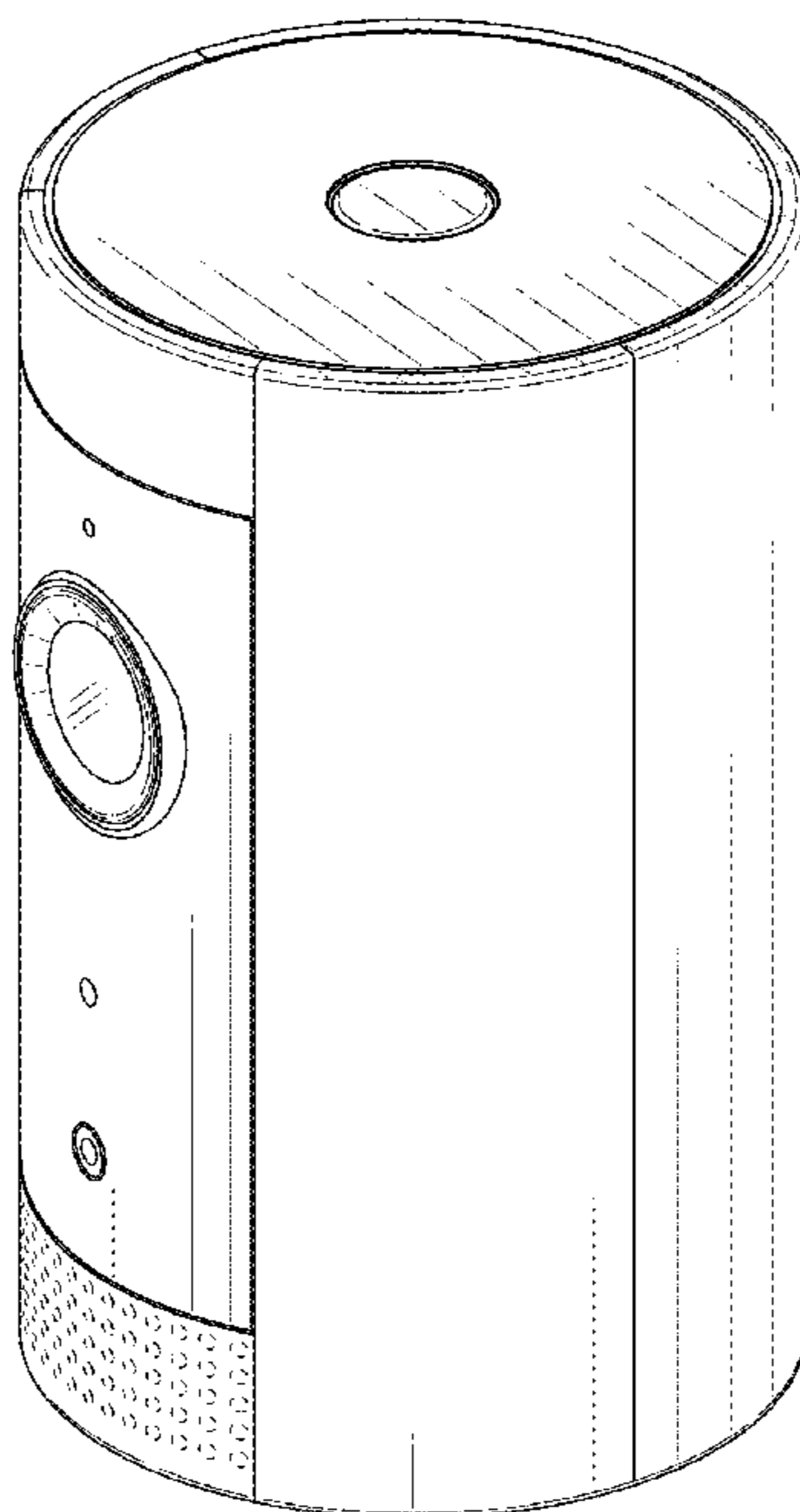
**DESCRIPTION**

FIG. 1 is a top, front and right side perspective view of a security camera;  
FIG. 2 is a front elevation view thereof;  
FIG. 3 is a back elevation view thereof;  
FIG. 4 is a left-side elevation view thereof;  
FIG. 5 is a right-side elevation view thereof;  
FIG. 6 is a top plan view thereof; and,  
FIG. 7 is a bottom plan view thereof.  
The dashed broken lines depict portions of the security camera that form no part of the claimed design.

(56) **References Cited**  
U.S. PATENT DOCUMENTS

- D349,714 S \* 8/1994 Hasegawa ..... D16/203
- D518,080 S \* 3/2006 Uehara ..... D16/202

**1 Claim, 7 Drawing Sheets**



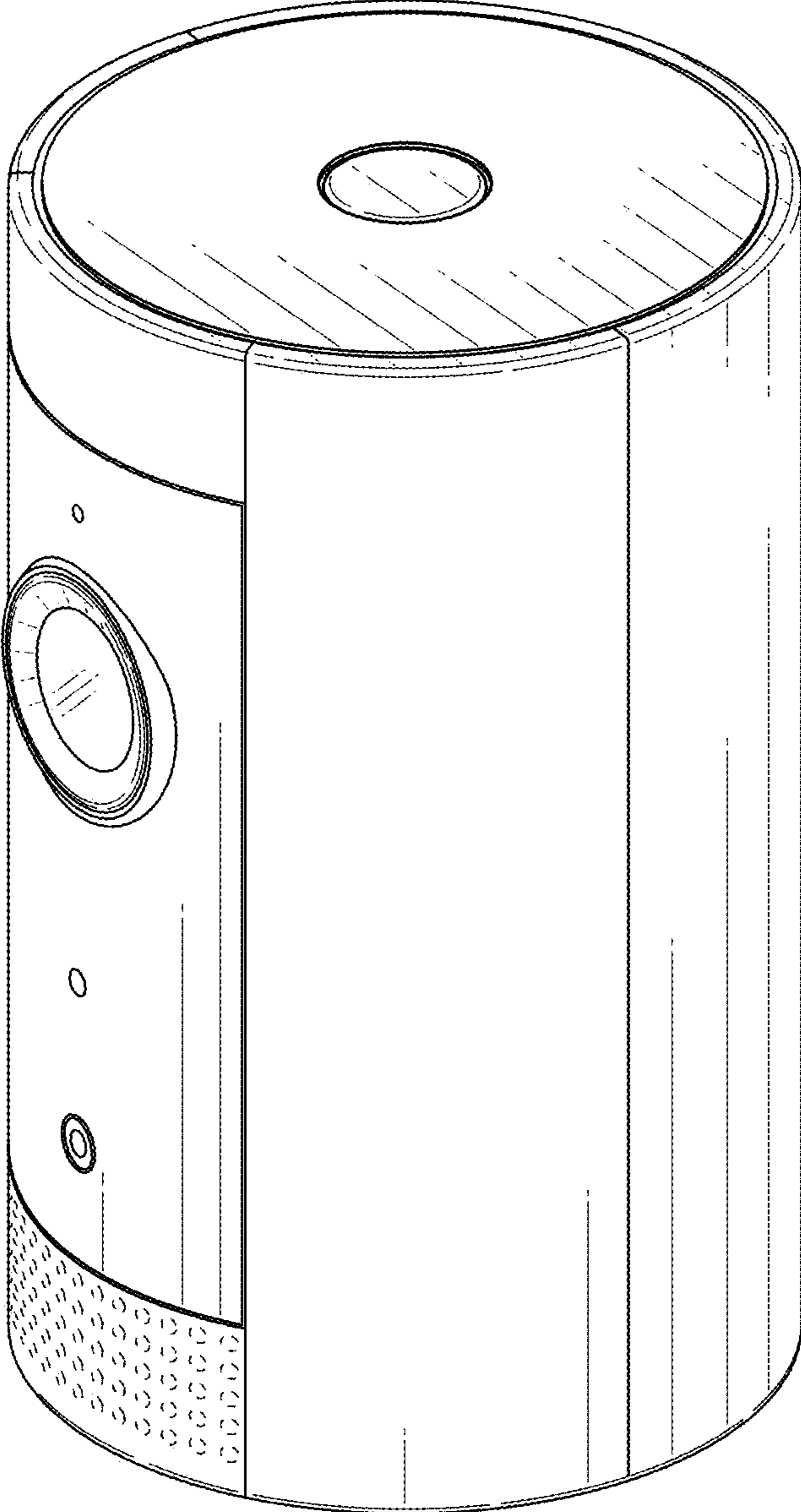


FIG. 1

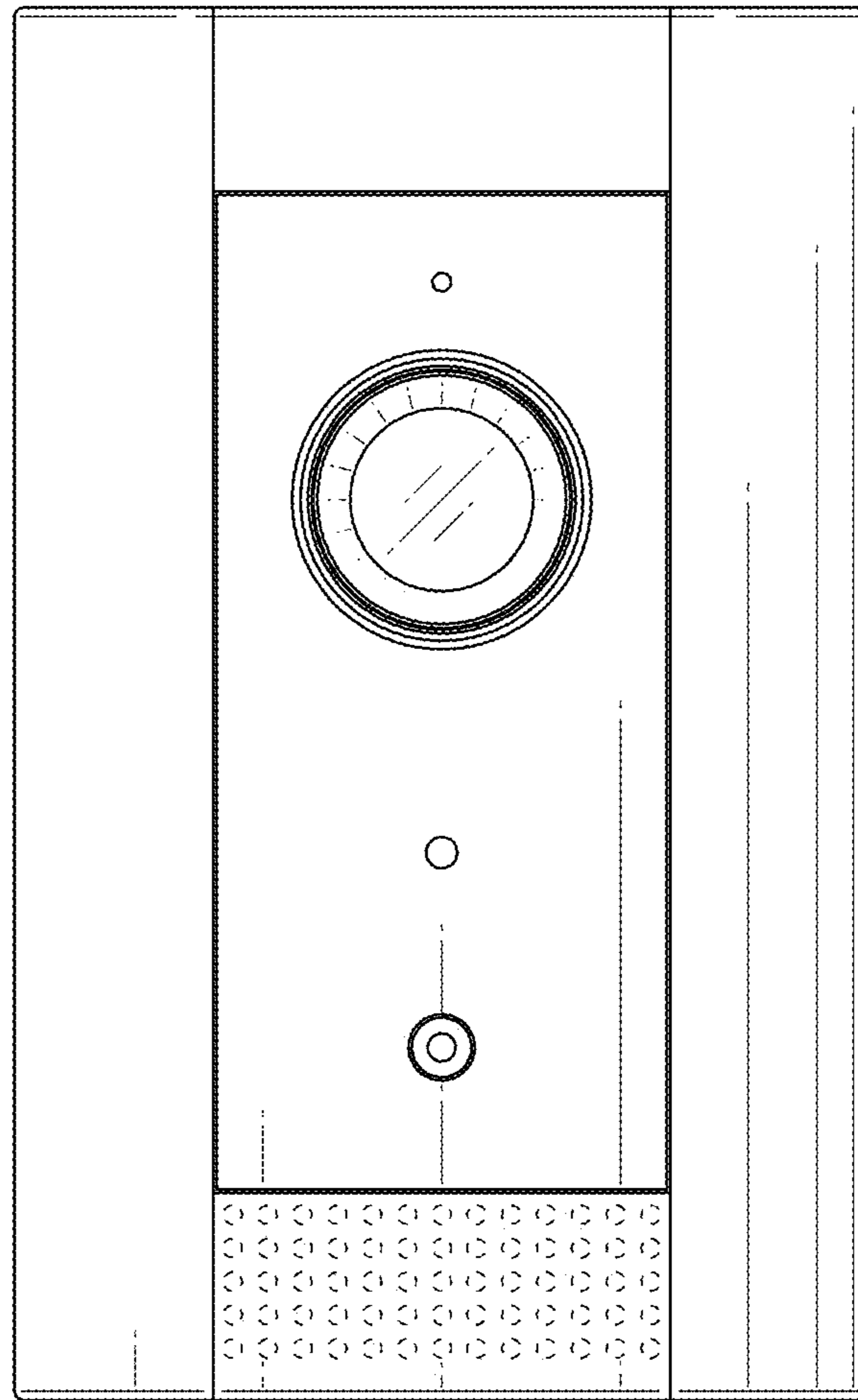
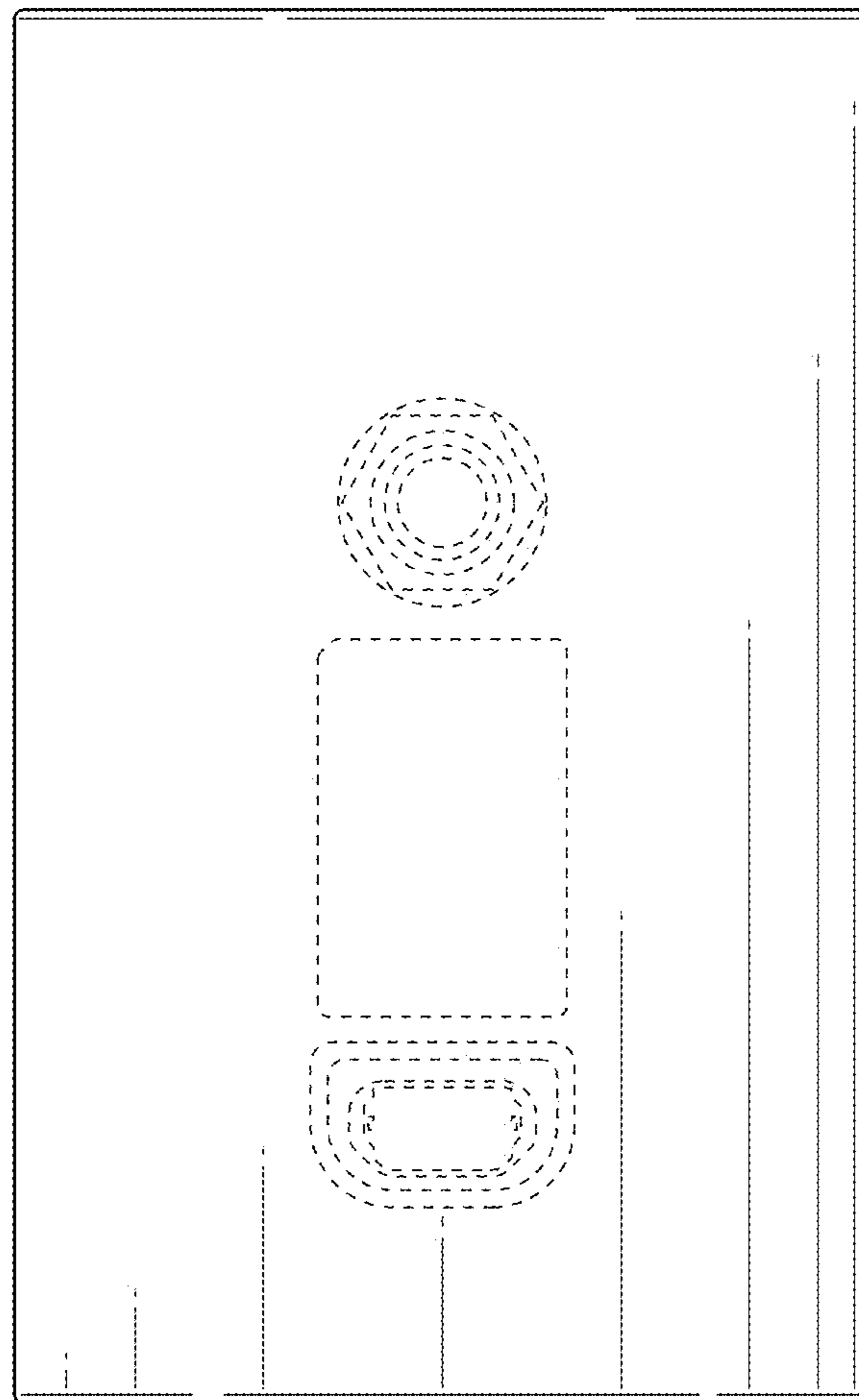


FIG. 2



**FIG. 3**

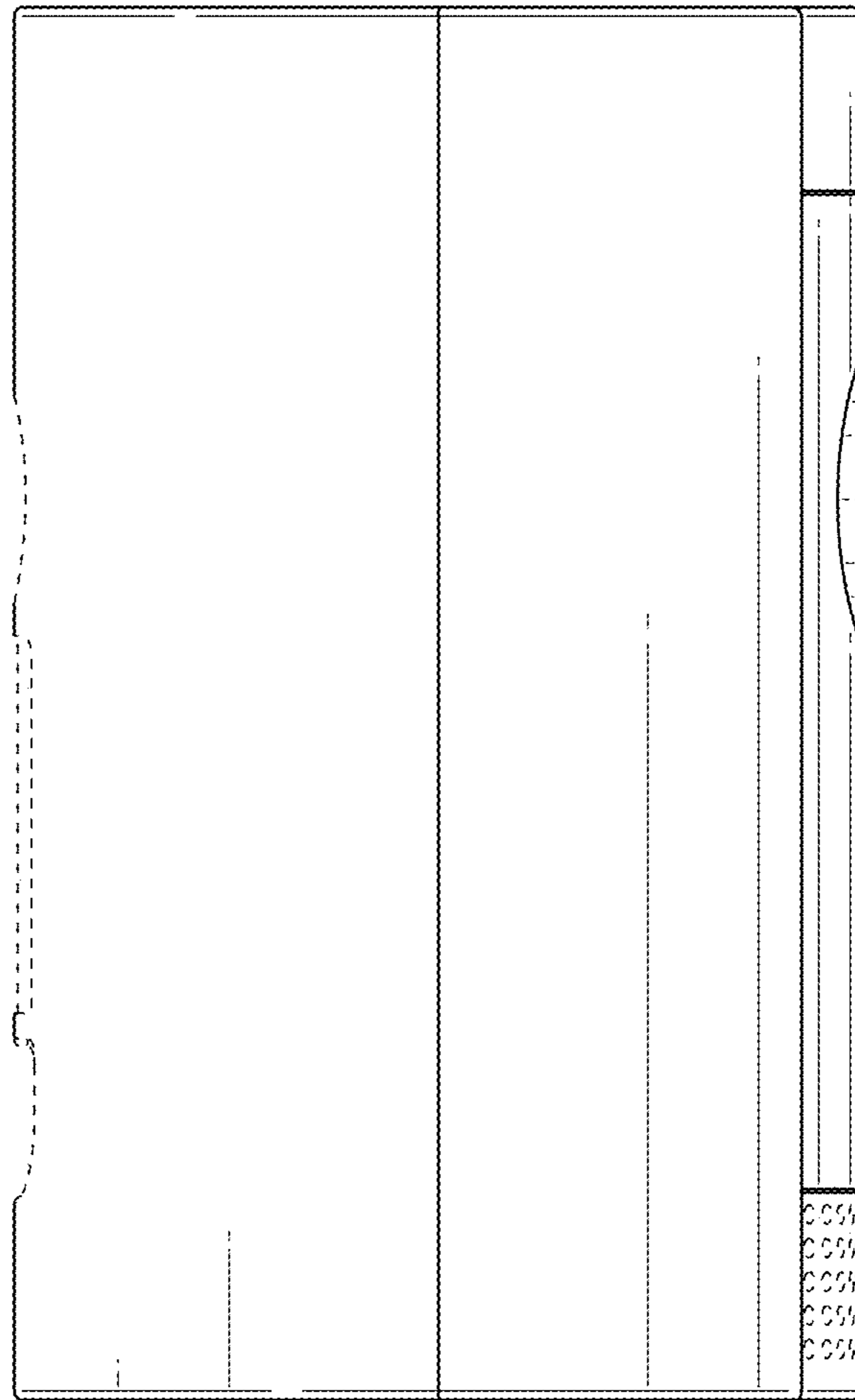


FIG. 4

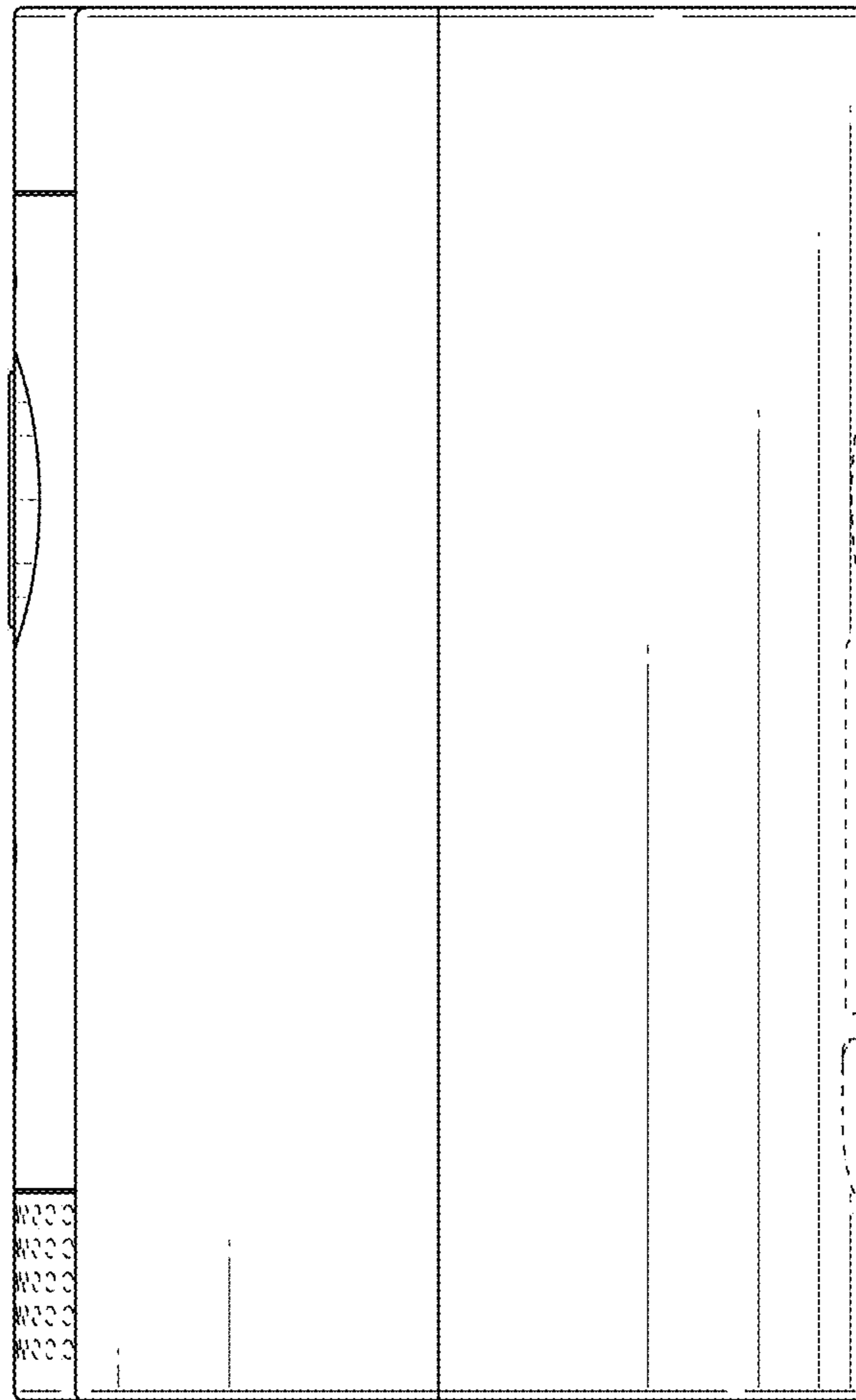
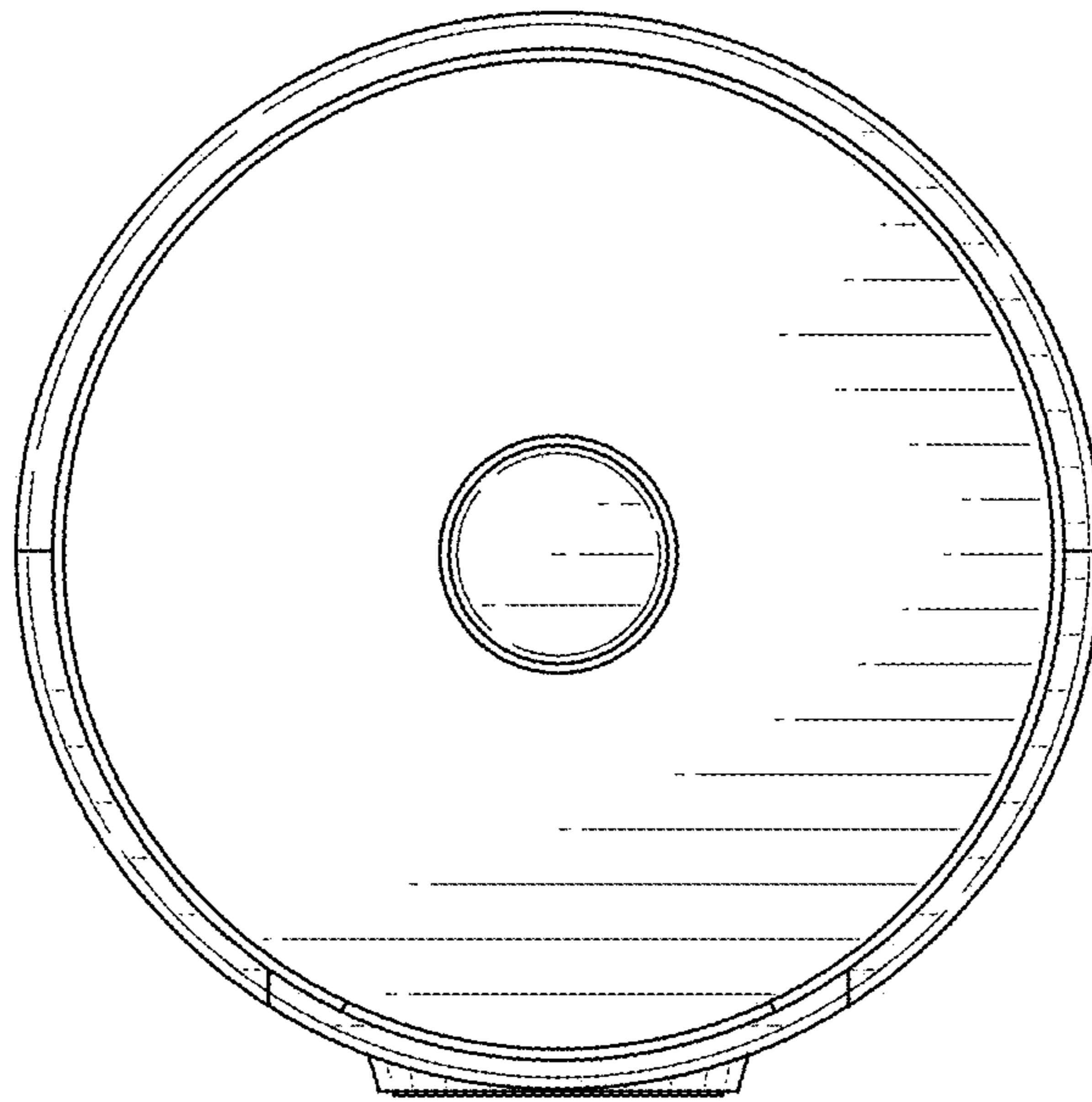
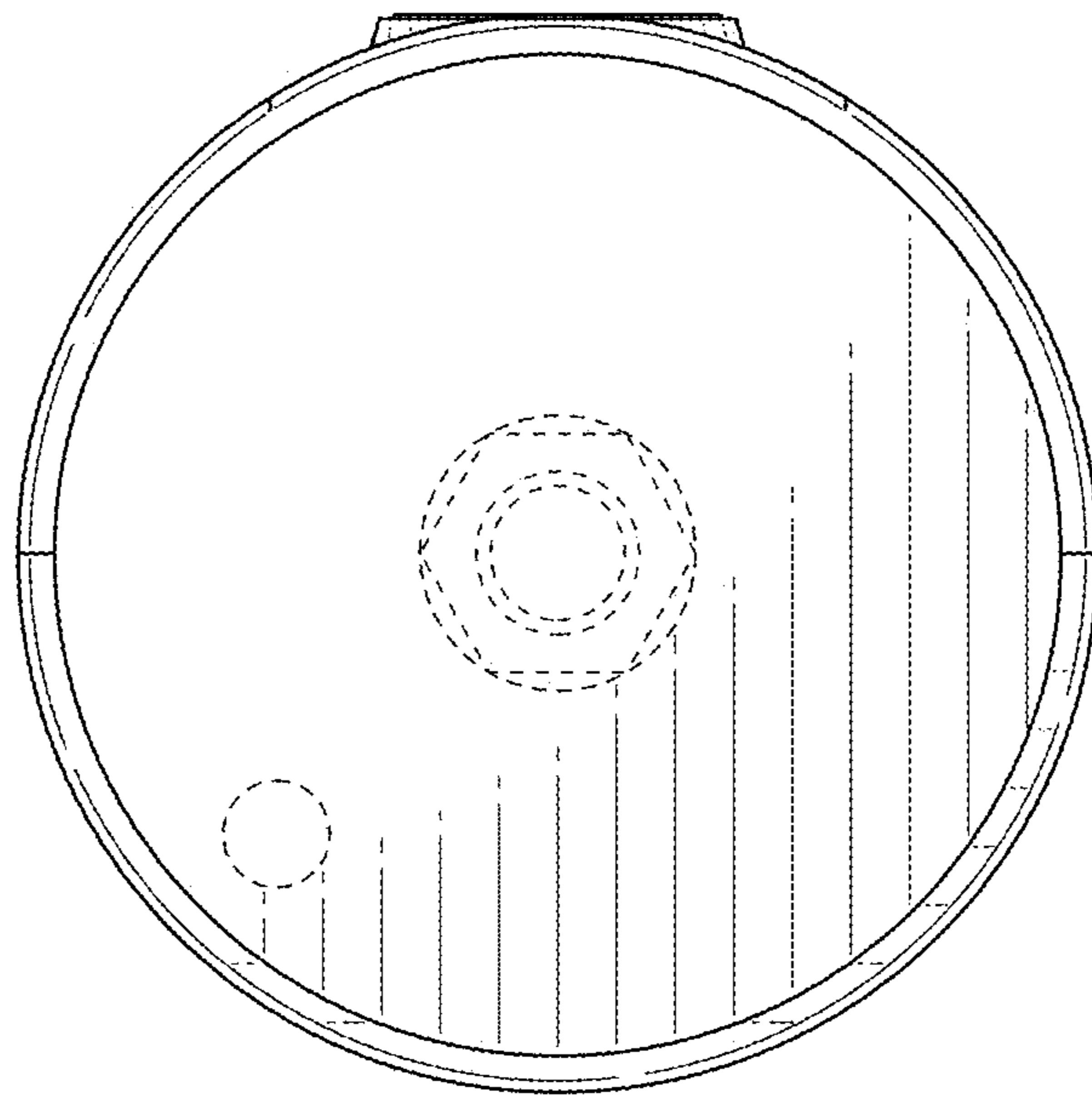


FIG. 5



**FIG. 6**



**FIG. 7**