



US00D902976S

(12) **United States Design Patent**
Han

(10) **Patent No.:** **US D902,976 S**

(45) **Date of Patent:** **** Nov. 24, 2020**

(54) **SMART CAMERA**

(71) Applicant: **Hangzhou Vision Insight Technology Co., Ltd., Zhejiang (CN)**

(72) Inventor: **Fang Han, Zhejiang (CN)**

(73) Assignee: **Hangzhou Vision Insight Technology Co., Ltd., Hangzhou (CN)**

(**) Term: **15 Years**

(21) Appl. No.: **29/686,364**

(22) Filed: **Apr. 3, 2019**

(51) **LOC (12) Cl.** **16-01**

(52) **U.S. Cl.**
USPC **D16/203; D16/202**

(58) **Field of Classification Search**
USPC D16/200–204, 208, 218, 219; 348/143, 348/148, 151, 360, 373–376; 396/419, 396/427–429, 433, 529, 535, 537–541
CPC G03B 15/03; G03B 17/02; G03B 17/04; G03B 17/48; G03B 17/56; G03B 19/04; G08G 1/0175; H04N 5/2251; H04N 5/2252; H04N 5/2253; H04N 5/2254
See application file for complete search history.

(56) **References Cited**

U.S. PATENT DOCUMENTS

D455,768 S * 4/2002 Tsang D16/202
D532,809 S * 11/2006 Shih D16/218

D694,802 S * 12/2013 Coyle D16/237
D732,601 S * 6/2015 Coyle D16/237
D738,951 S * 9/2015 Coyle D16/237
D785,067 S * 4/2017 Ramones D16/203
D790,000 S * 6/2017 Wang D16/200
D813,924 S * 3/2018 Zheng D16/203
D813,925 S * 3/2018 Park D16/203
D841,720 S * 2/2019 Ramones D16/237
D863,398 S * 10/2019 Huang D16/203
D863,404 S * 10/2019 Karpenko D16/218
D886,177 S * 6/2020 Ramones D16/203

* cited by examiner

Primary Examiner — Ramzi S Almatrahi

(74) *Attorney, Agent, or Firm* — Wayne & Ken, LLC; Tony Hom

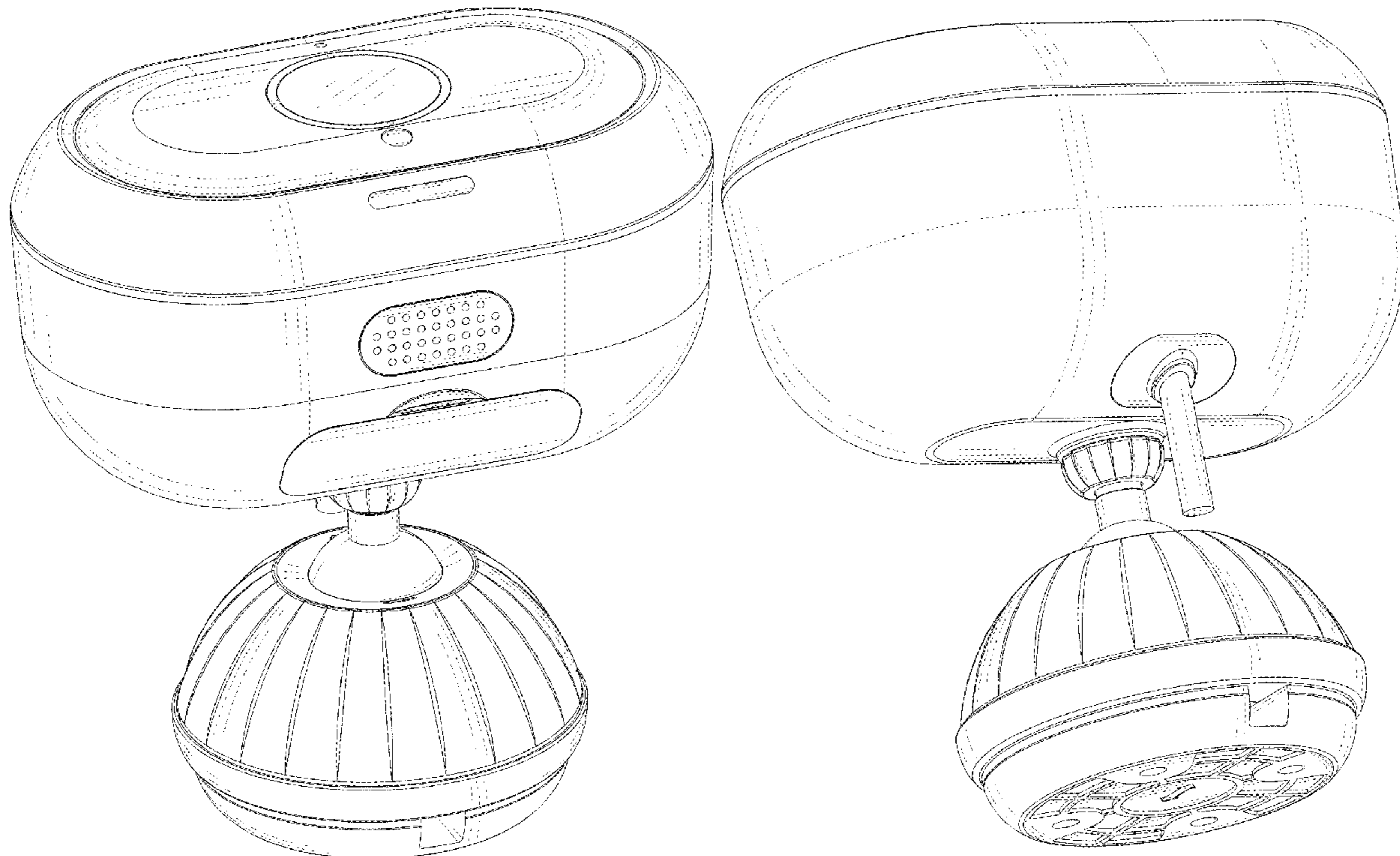
(57) **CLAIM**

The ornamental design for a smart camera, as shown and described.

DESCRIPTION

FIG. 1 is a front perspective view of a smart camera showing my new design;
FIG. 2 is a back perspective view thereof;
FIG. 3 is a front elevation view thereof;
FIG. 4 is a back elevation view thereof;
FIG. 5 is a left side elevation view thereof;
FIG. 6 is a right side elevation view thereof;
FIG. 7 is a top plan view thereof; and,
FIG. 8 is a bottom plan view thereof.

1 Claim, 8 Drawing Sheets



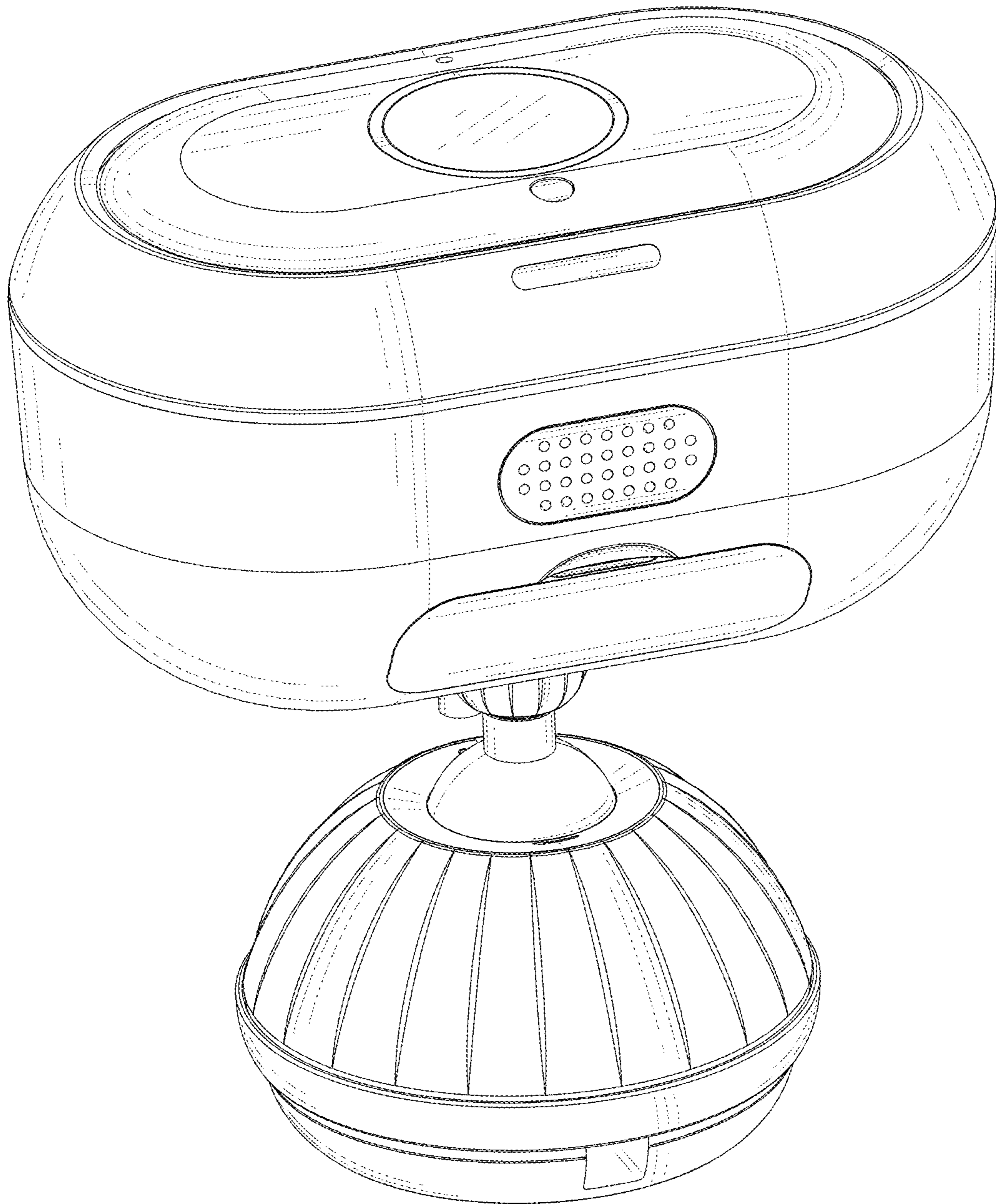


FIG. 1

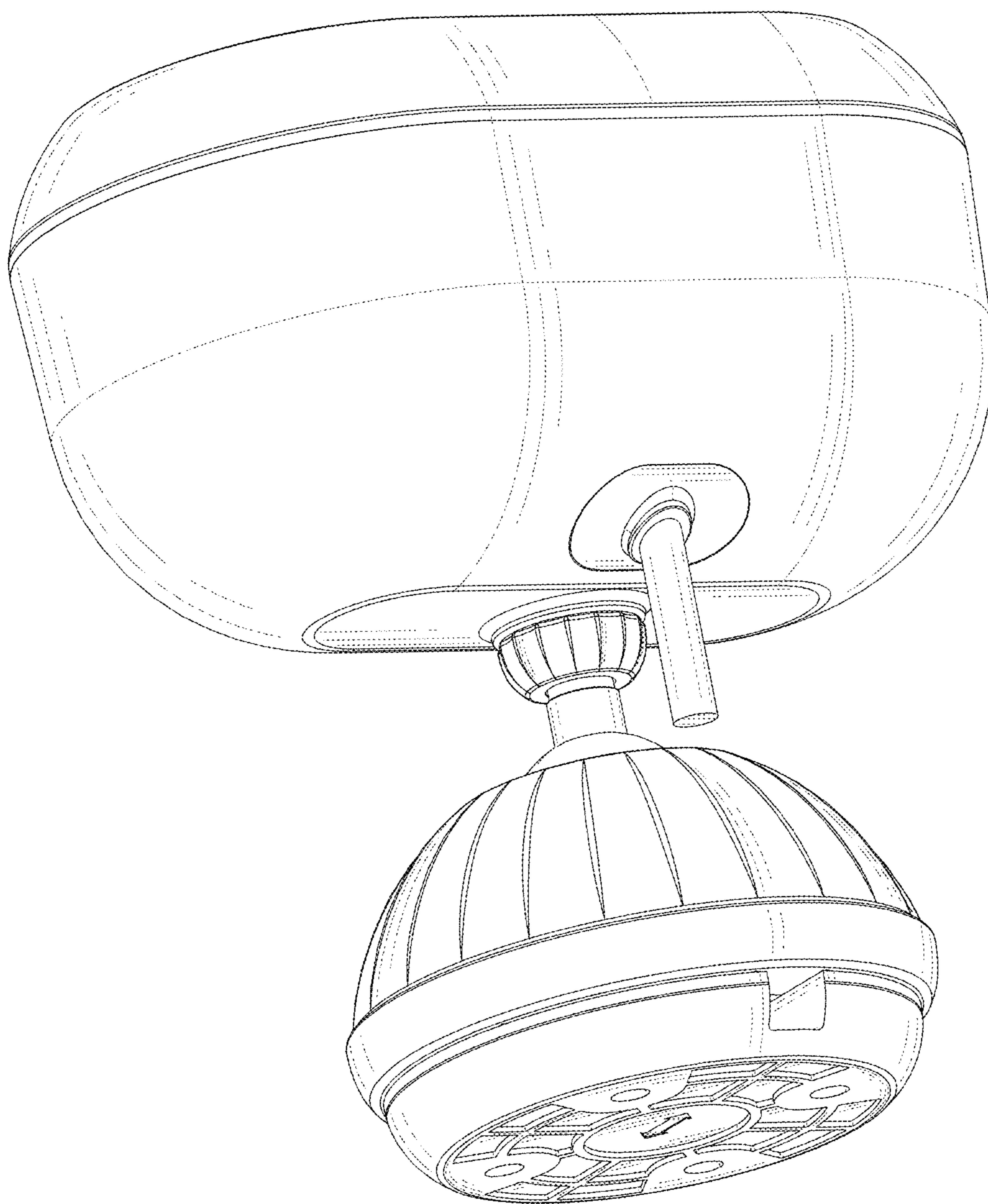


FIG. 2

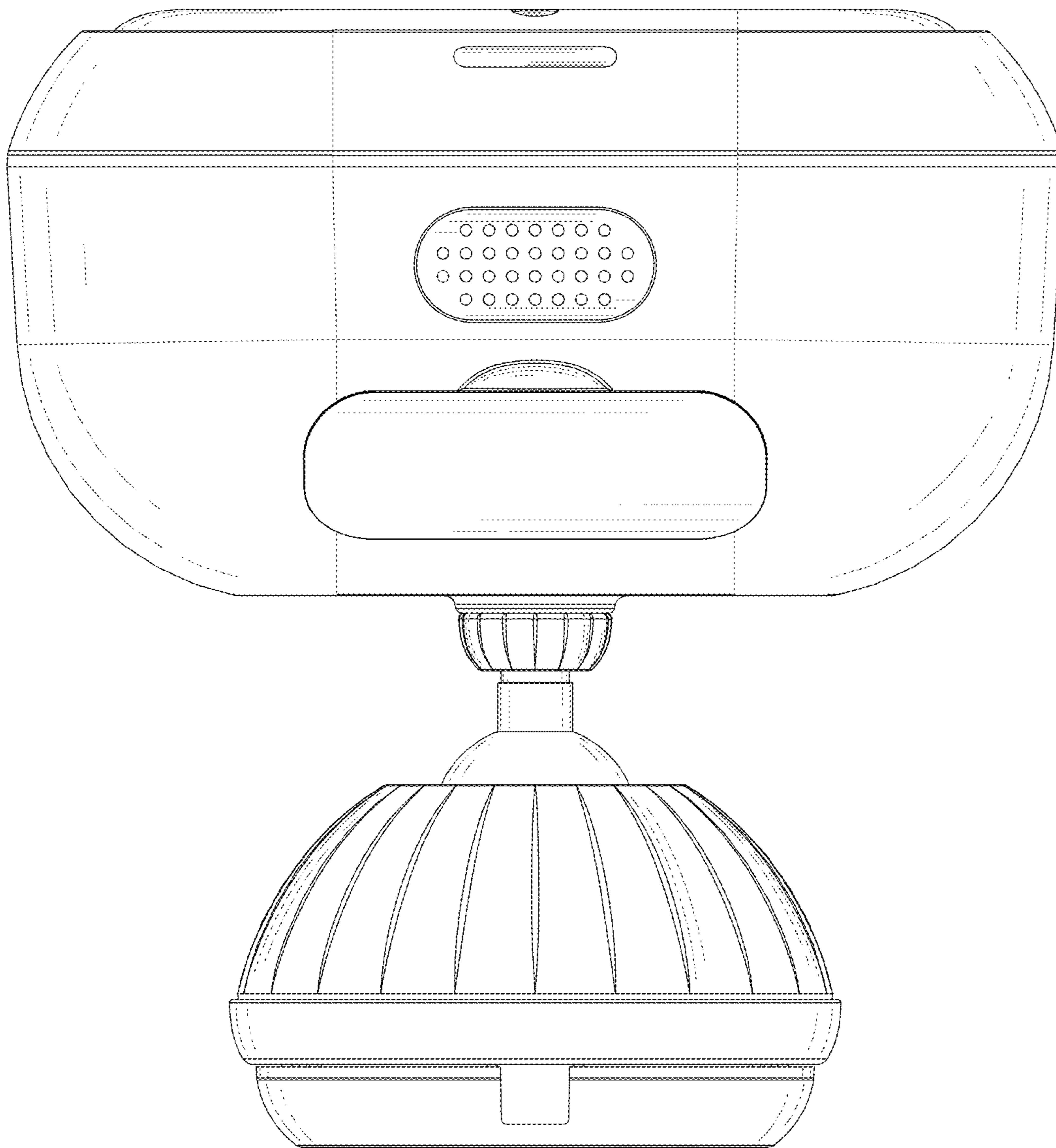


FIG. 3

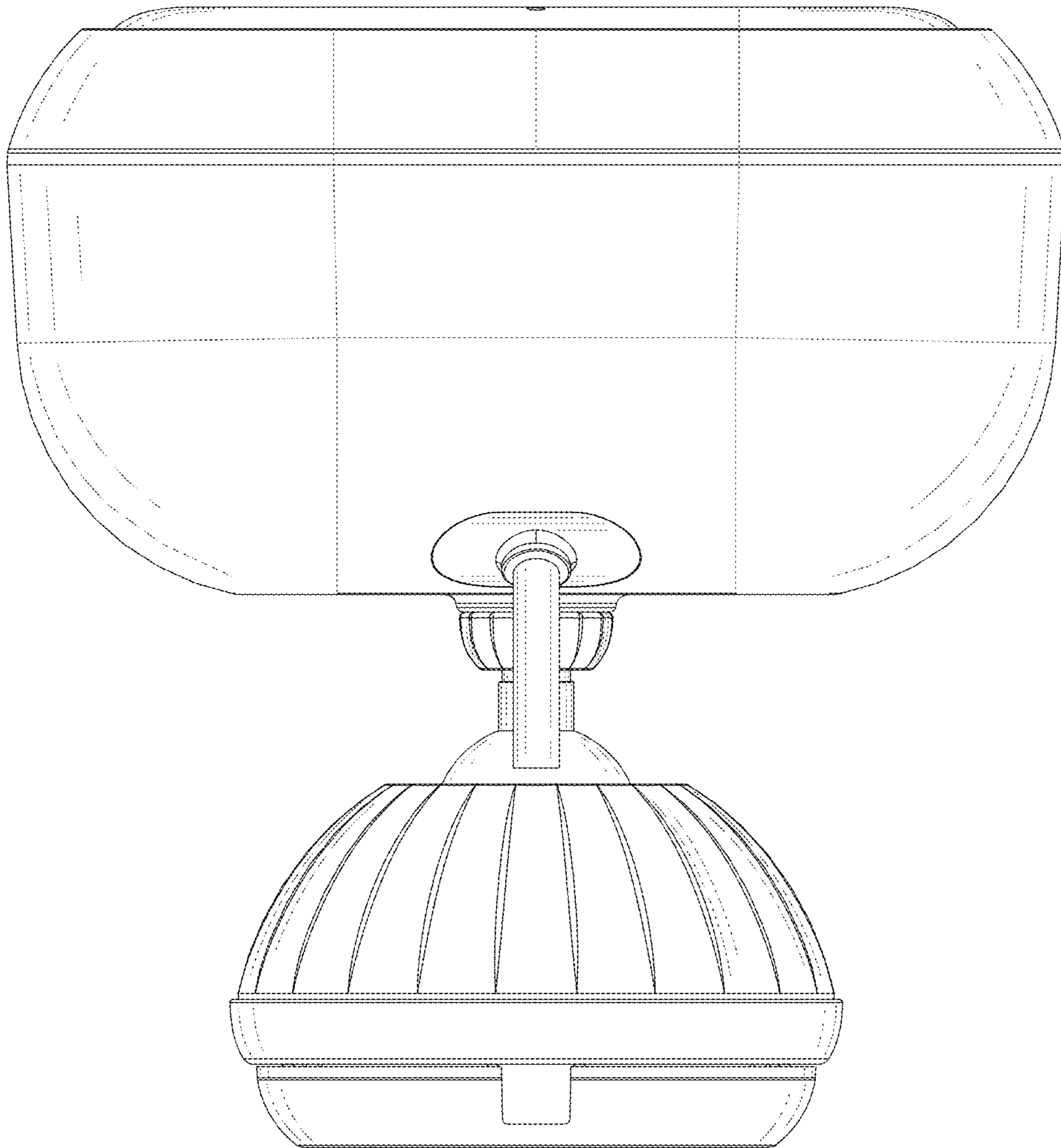


FIG. 4

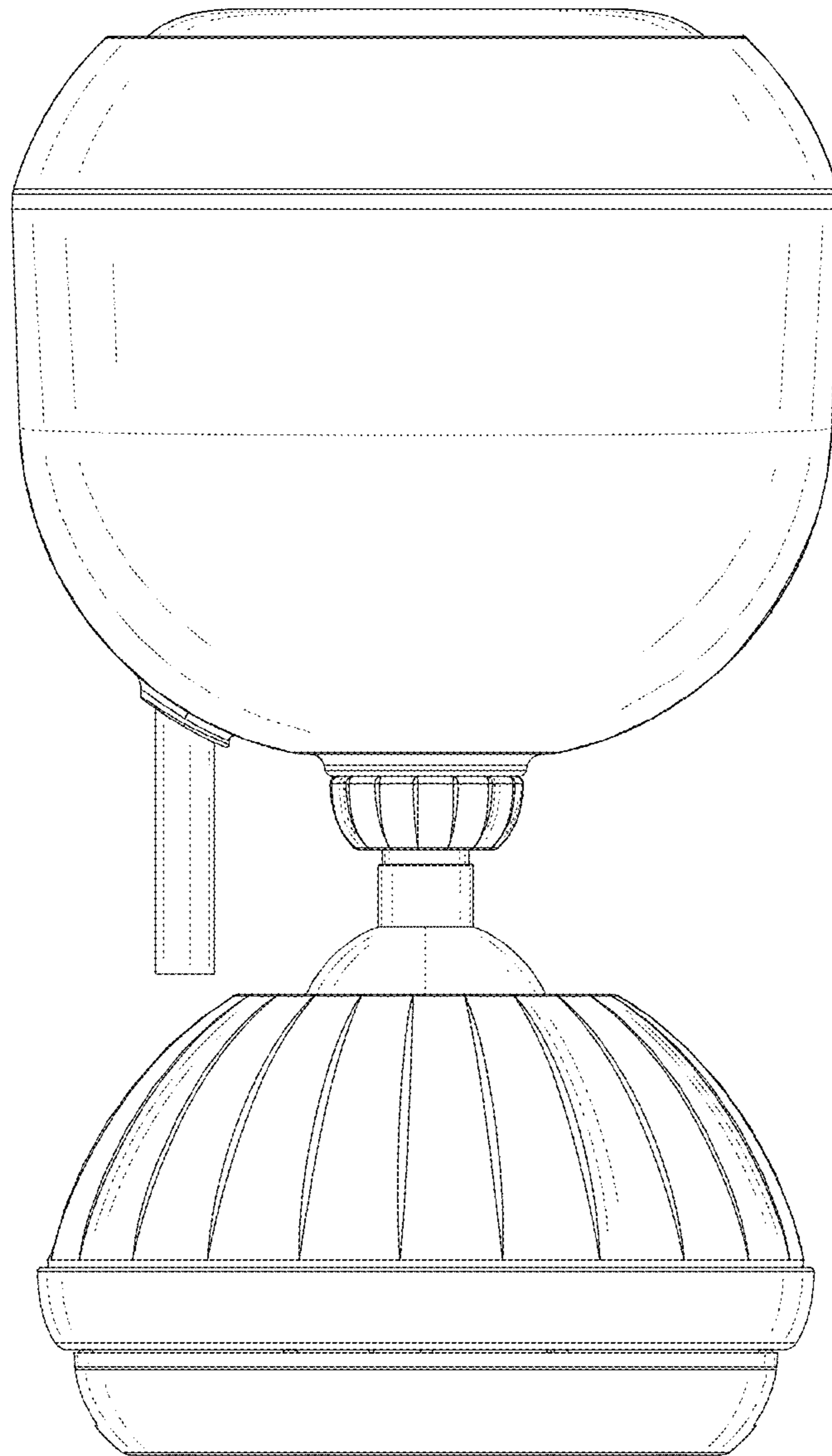


FIG. 5

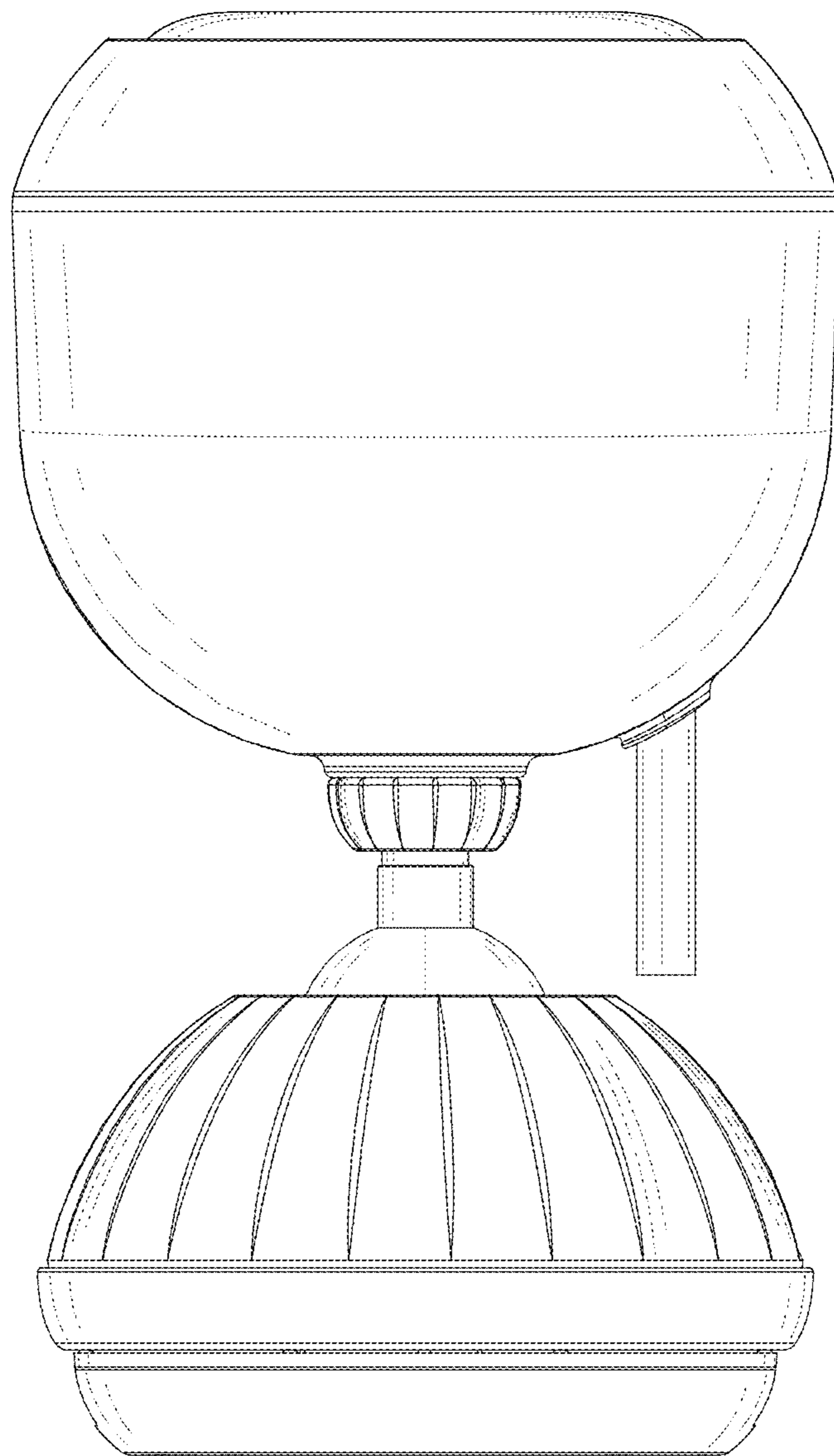


FIG. 6

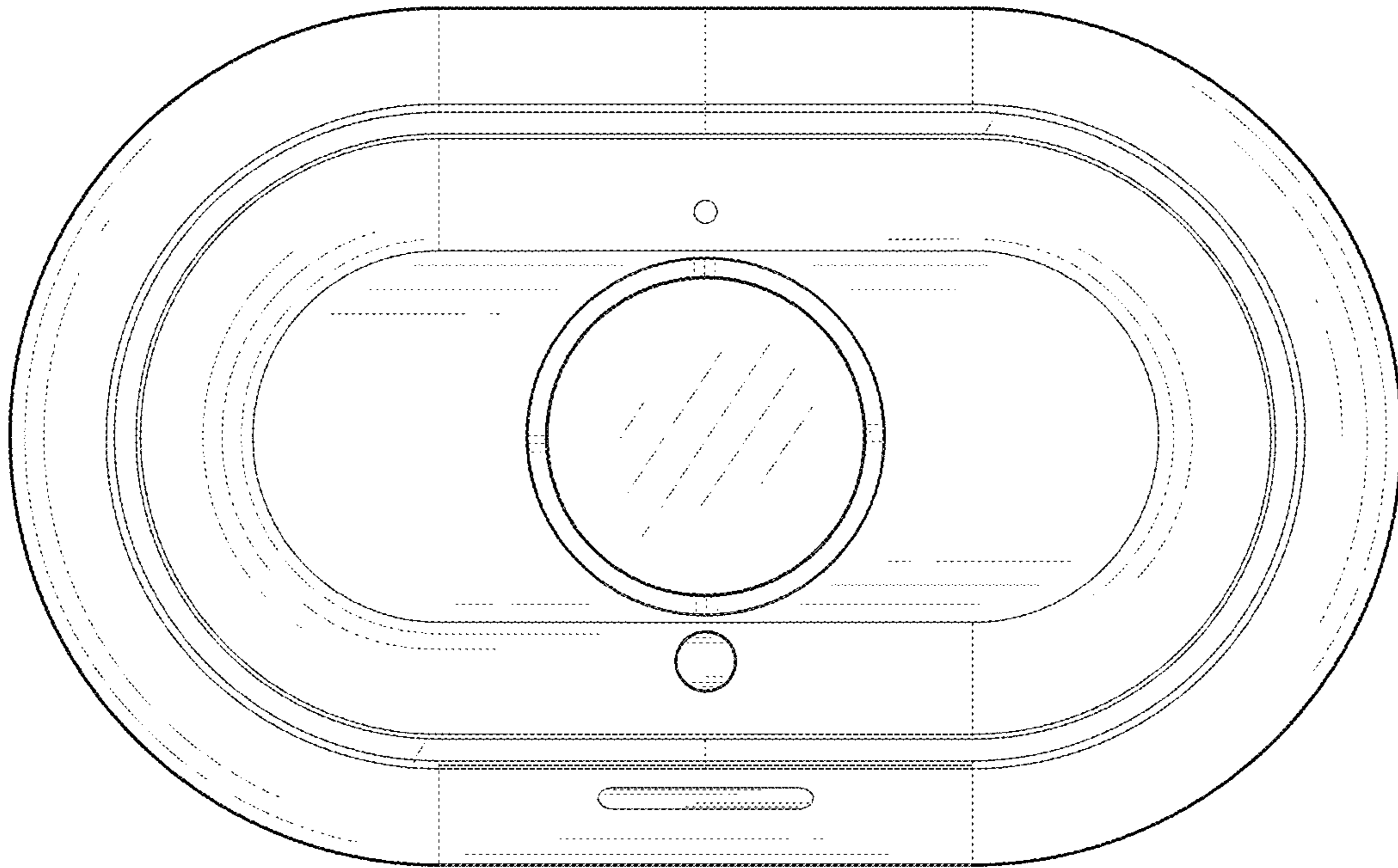


FIG. 7

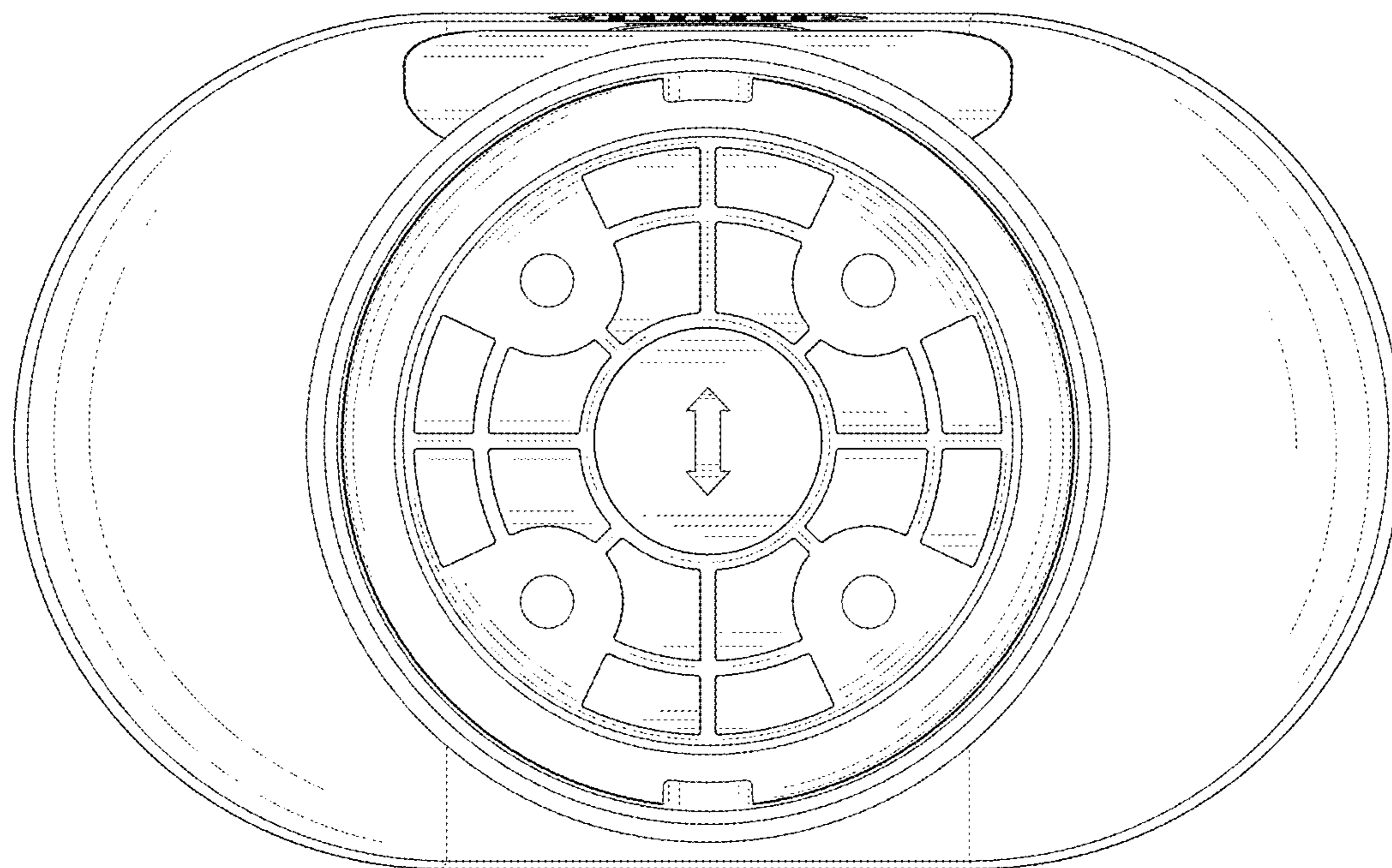


FIG. 8