



US00D902975S

(12) **United States Design Patent**
Zhong et al.

(10) **Patent No.:** **US D902,975 S**

(45) **Date of Patent:** **** Nov. 24, 2020**

(54) **CAMERA**

(71) Applicant: **SHENZHEN KEAN DIGITAL CO., LTD.**, Shenzhen (CN)

(72) Inventors: **Dewei Zhong**, Shenzhen (CN); **Jun Li**, Shenzhen (CN)

(**) Term: **15 Years**

(21) Appl. No.: **29/685,558**

(22) Filed: **Mar. 29, 2019**

(51) **LOC (12) Cl.** **16-01**

(52) **U.S. Cl.**
USPC **D16/203**

(58) **Field of Classification Search**

USPC D16/200, 202-206, 218, 219, 242;
348/143, 148, 151, 373-376; 396/419,
396/427, 535, 539-541
CPC G03B 17/02; G03B 19/04; G03B 17/56;
G03B 17/04; G03B 15/03; H04N 5/2251;
H04N 5/2252; H04N 5/2253; H04N
5/2254; H04N 7/181; H04N 7/183; H04N
7/18; G08B 13/1963; G08B 13/19619;
G08B 13/19632; F16M 11/04; F16M
13/00

See application file for complete search history.

(56) **References Cited**

U.S. PATENT DOCUMENTS

D542,319 S * 5/2007 Ishida D16/202
D552,650 S * 10/2007 Yamakawa D16/203

D583,845 S * 12/2008 Hayashi D14/130
D609,732 S * 2/2010 Frank D16/203
D626,984 S * 11/2010 Miyaji D16/202
8,695,258 B2 * 4/2014 Kori G09F 7/06
40/663
D704,240 S * 5/2014 McBride D16/203
D723,395 S * 3/2015 Dispenza D10/53
D741,389 S * 10/2015 Park D16/203
D746,887 S * 1/2016 Deng D16/202
D751,619 S * 3/2016 Jeong D16/203
D757,835 S * 5/2016 Tabuchi D16/203
D784,434 S * 4/2017 Benedetti D16/202

* cited by examiner

Primary Examiner — Ramzi S Almatrahi

(74) *Attorney, Agent, or Firm* — Erson IP (Nelson IP)

(57) **CLAIM**

The ornamental design for a camera, as shown and described.

DESCRIPTION

FIG. 1 is a perspective view of a camera showing my new design;

FIG. 2 is a front view thereof

FIG. 3 is a rear view thereof;

FIG. 4 is a left side view thereof;

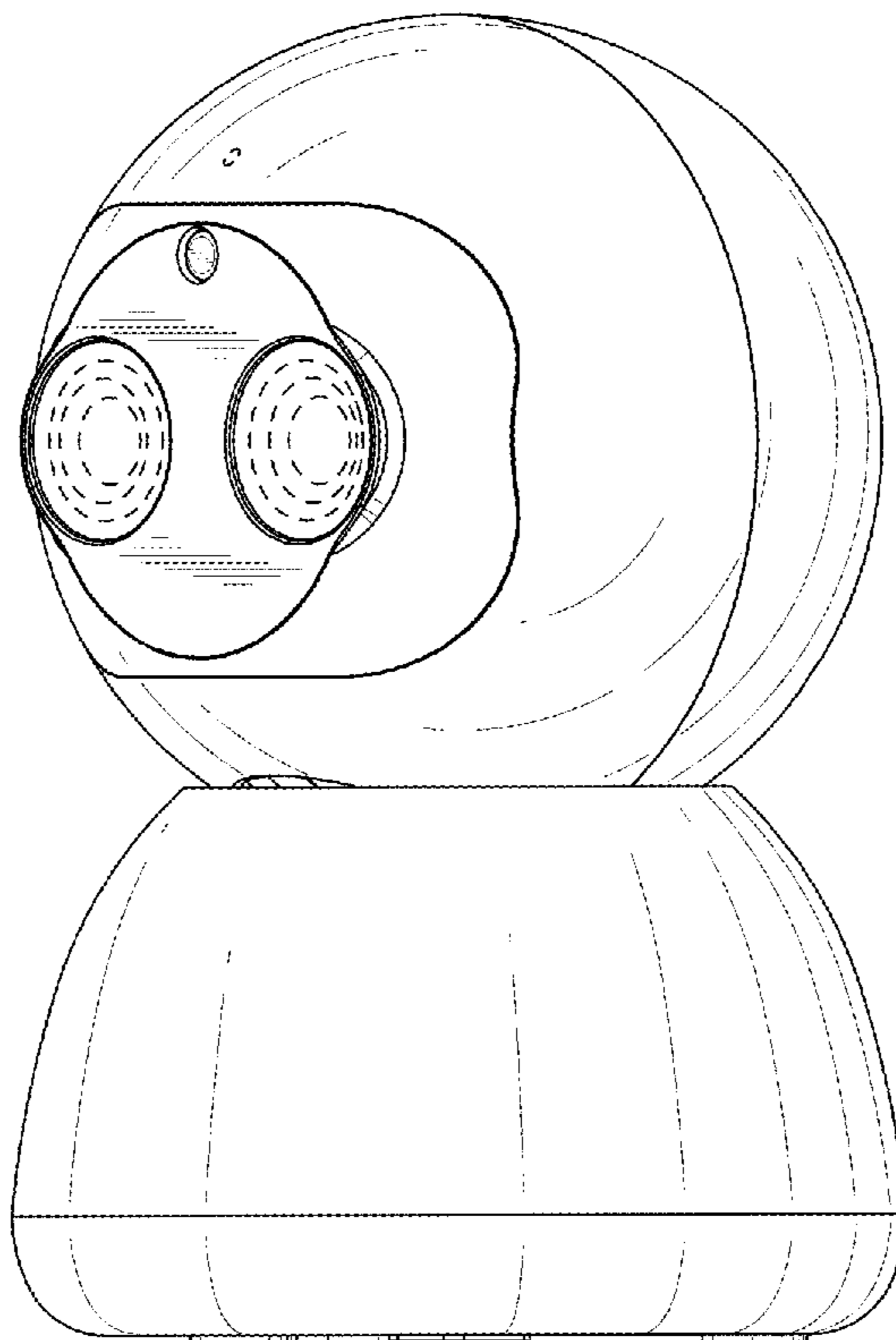
FIG. 5 is a right side view thereof

FIG. 6 is a top plan view thereof; and,

FIG. 7 is a bottom plan view thereof.

The broken lines depict portions of the camera in which the design is embodied that form no part of the claimed design.

1 Claim, 7 Drawing Sheets



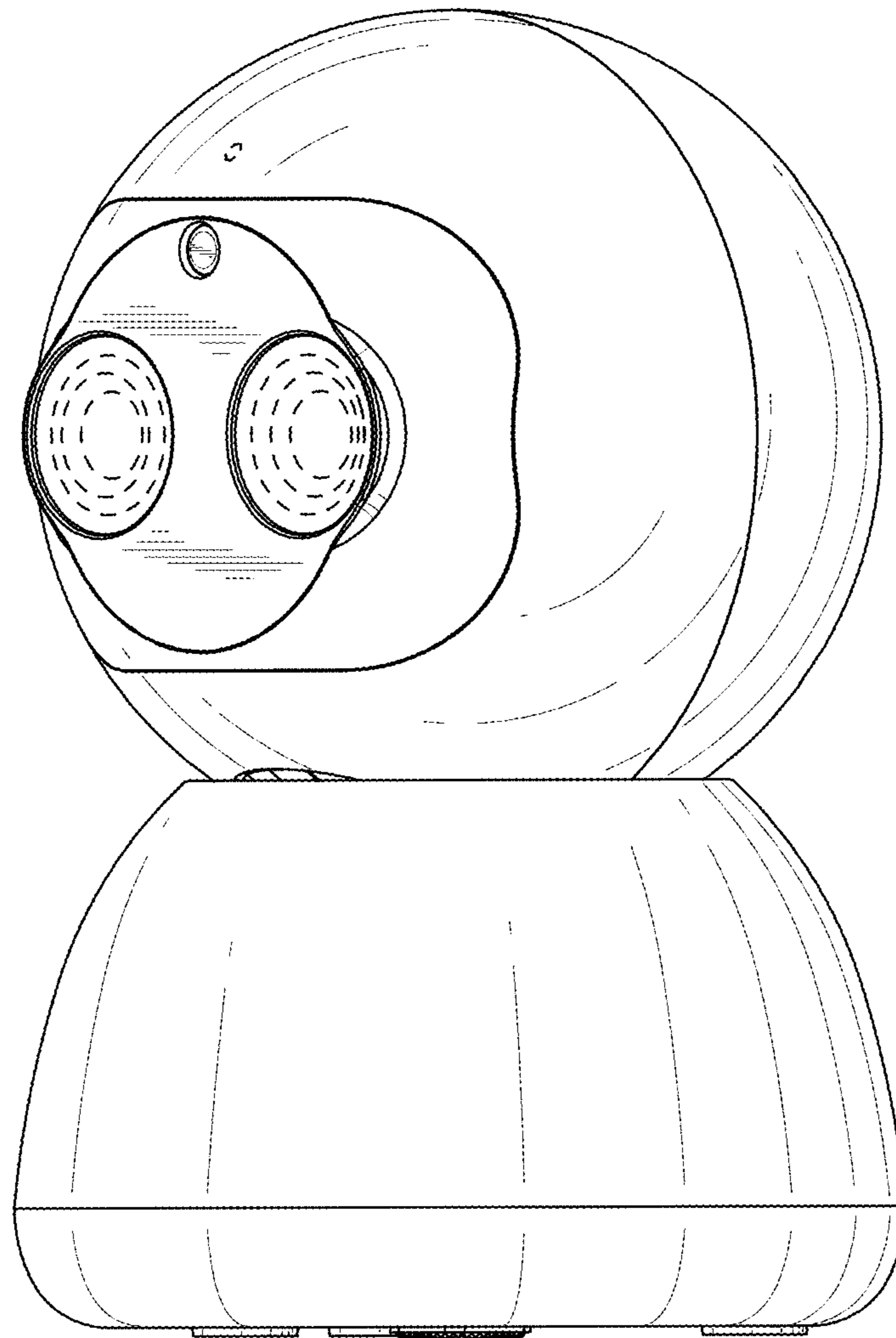


Fig.1

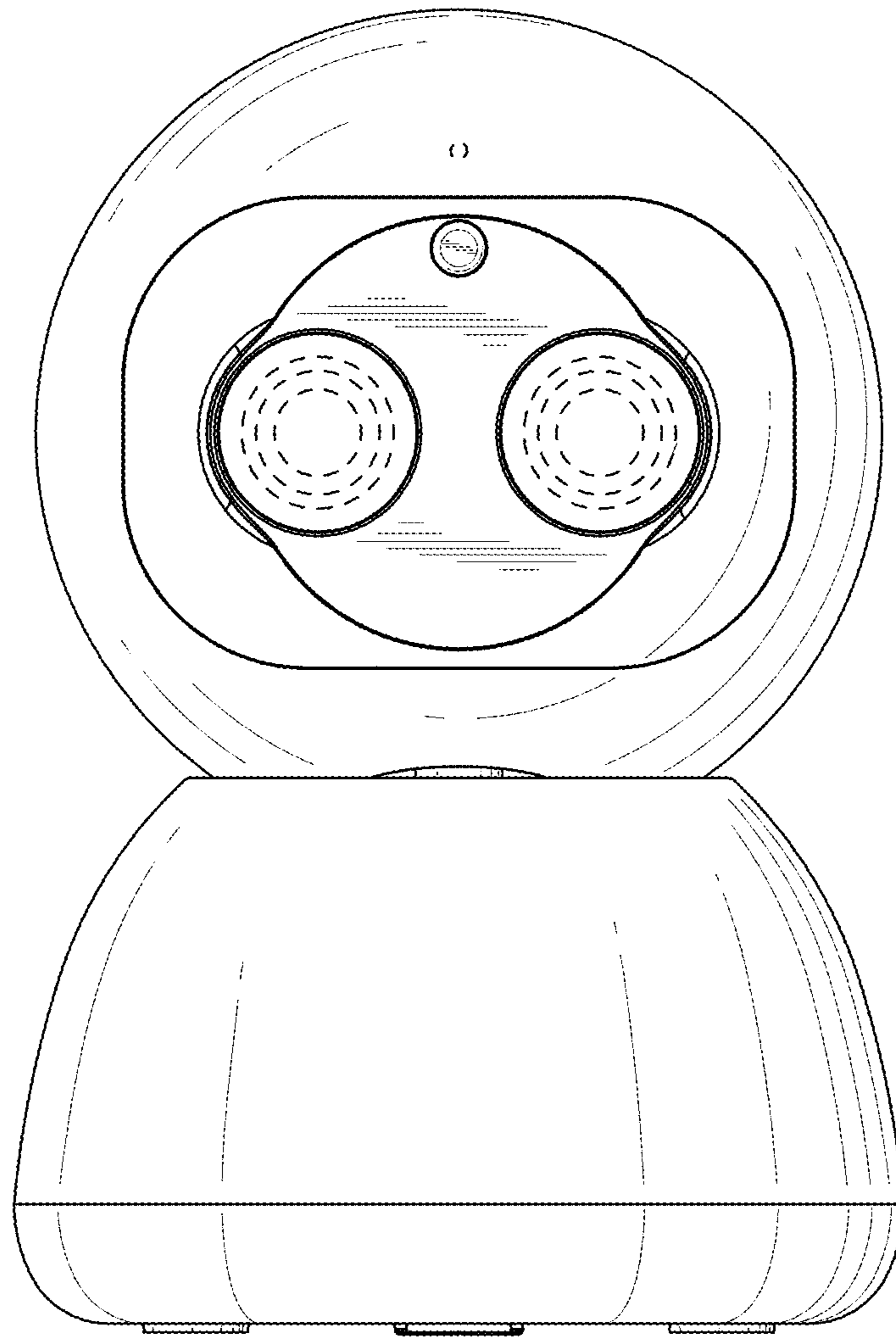


Fig.2

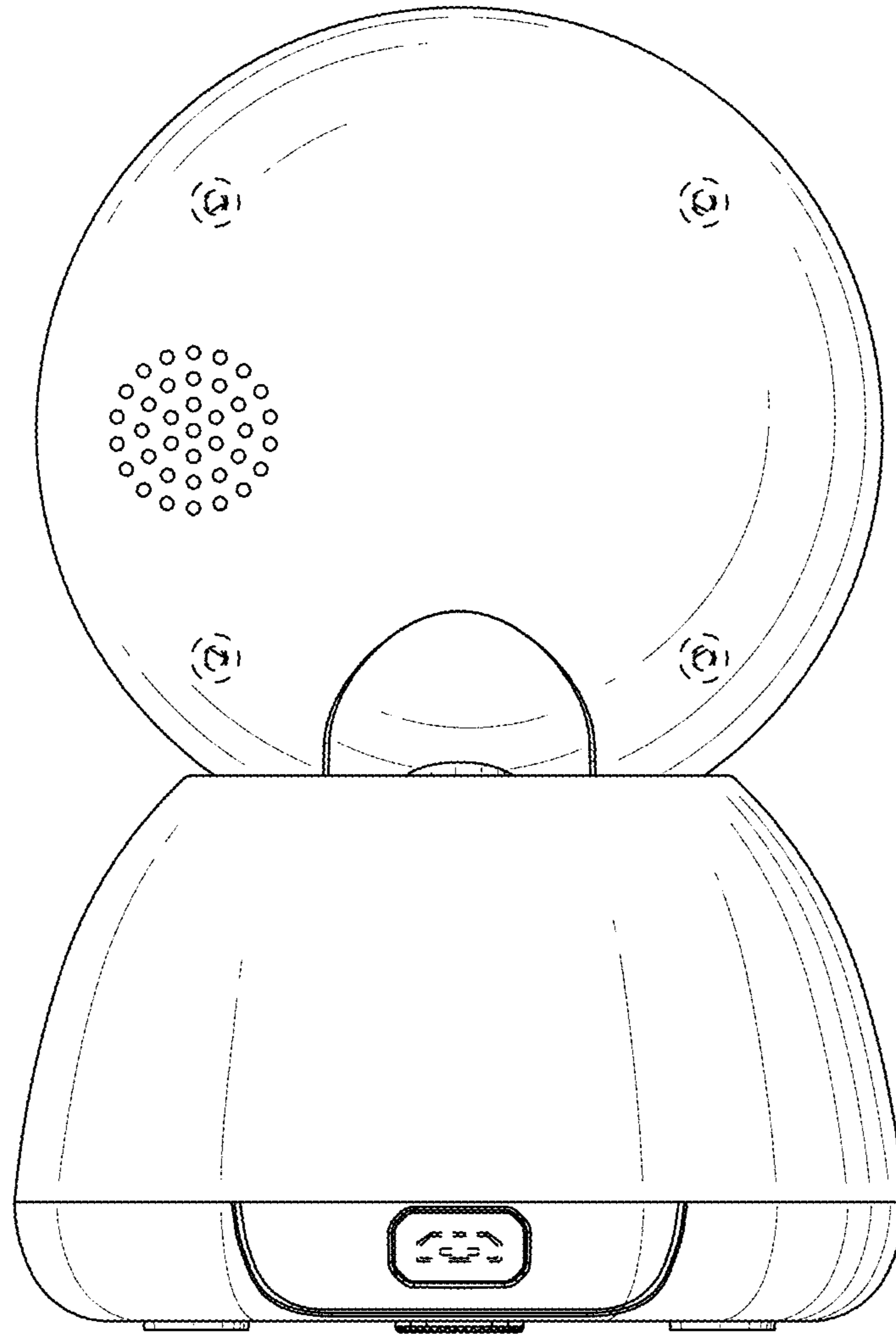


Fig.3

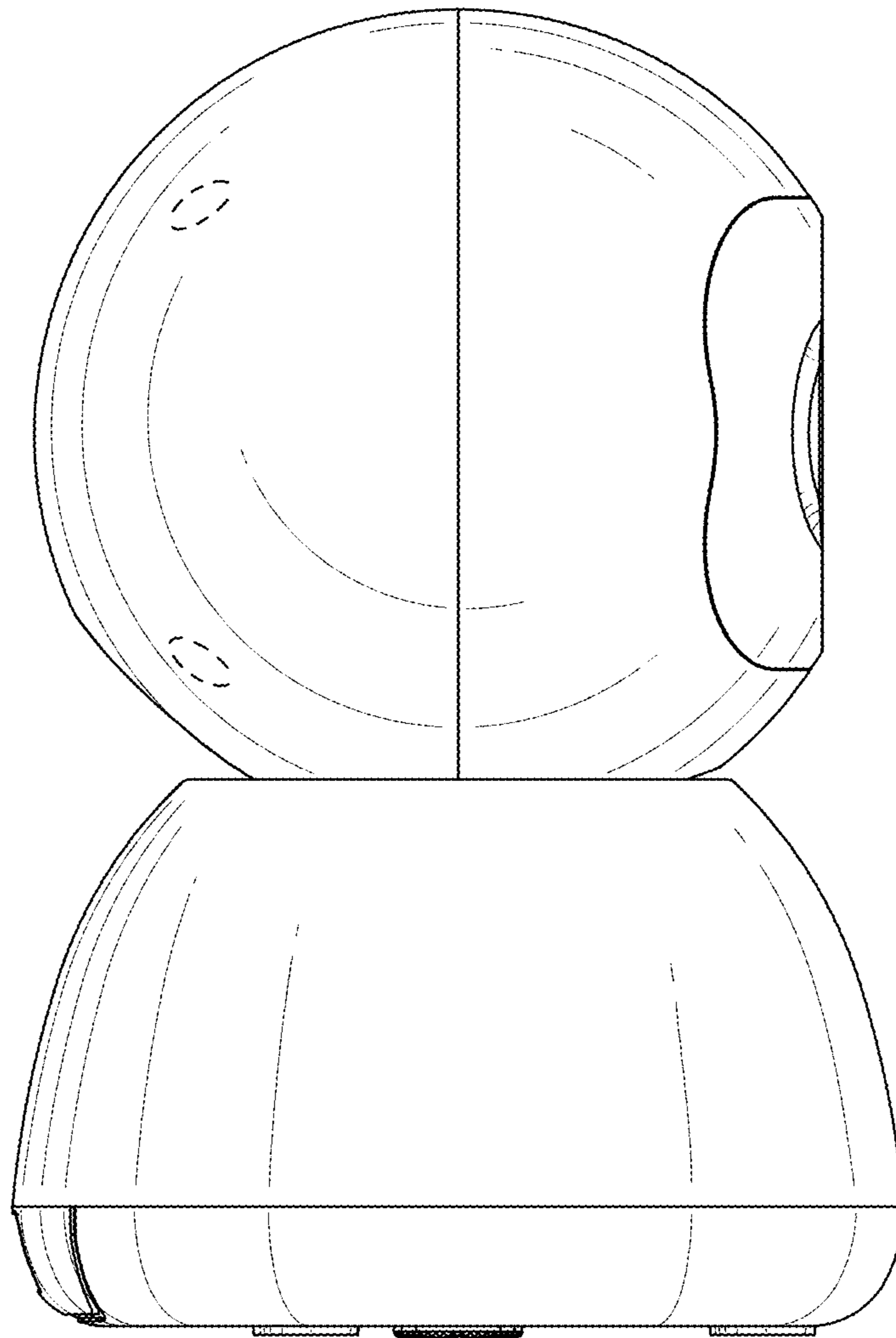


Fig.4

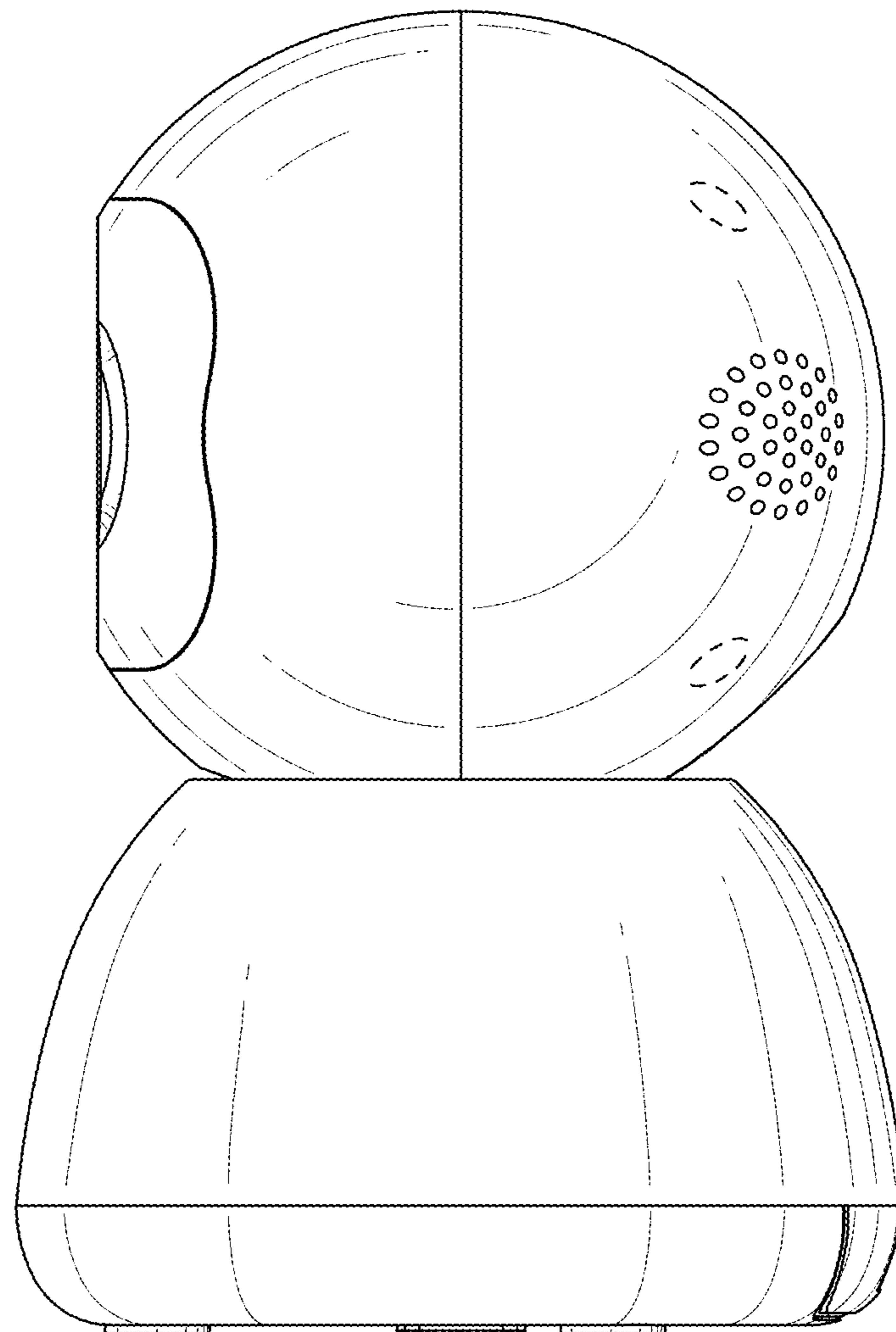


Fig.5

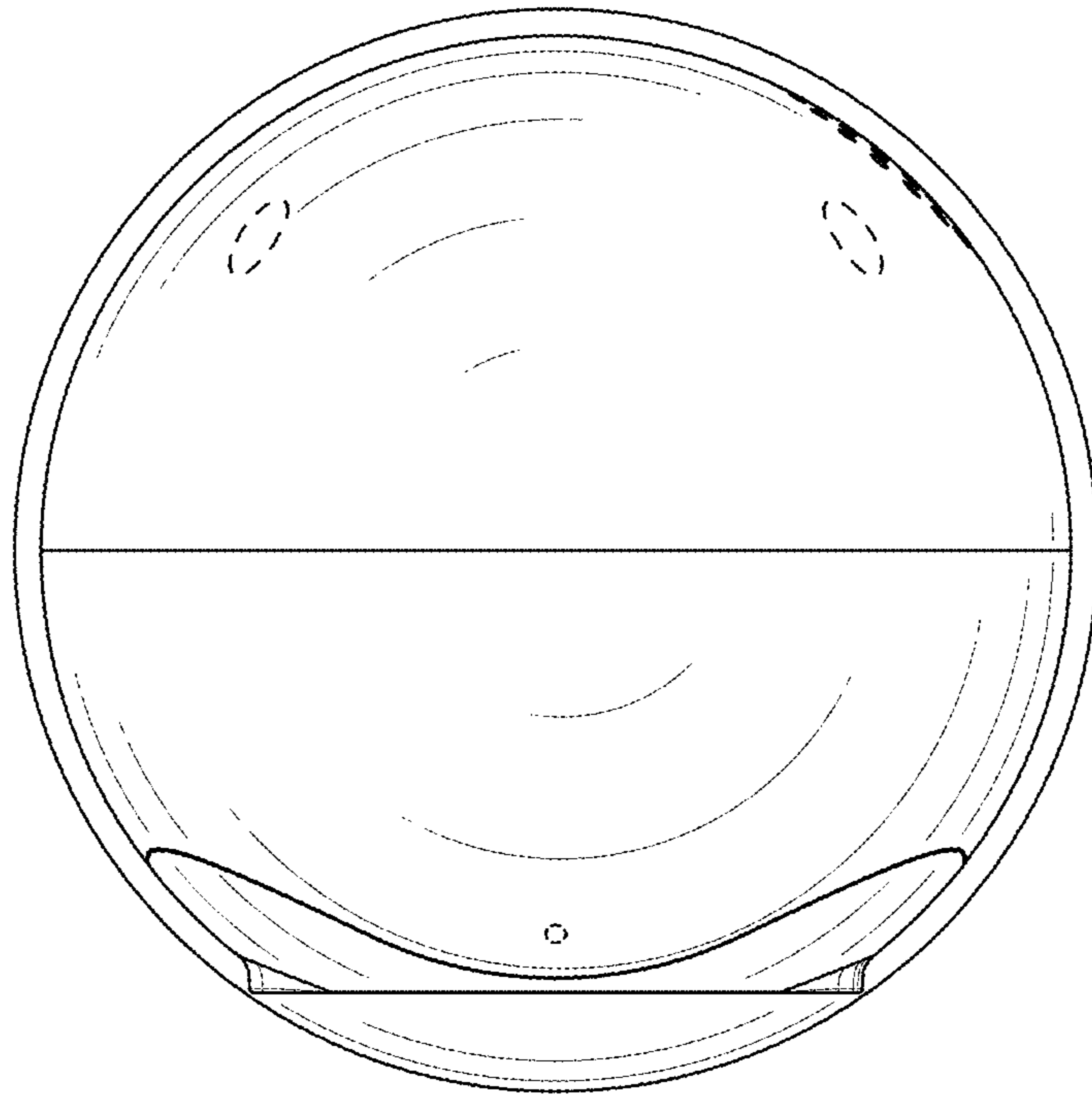


Fig.6

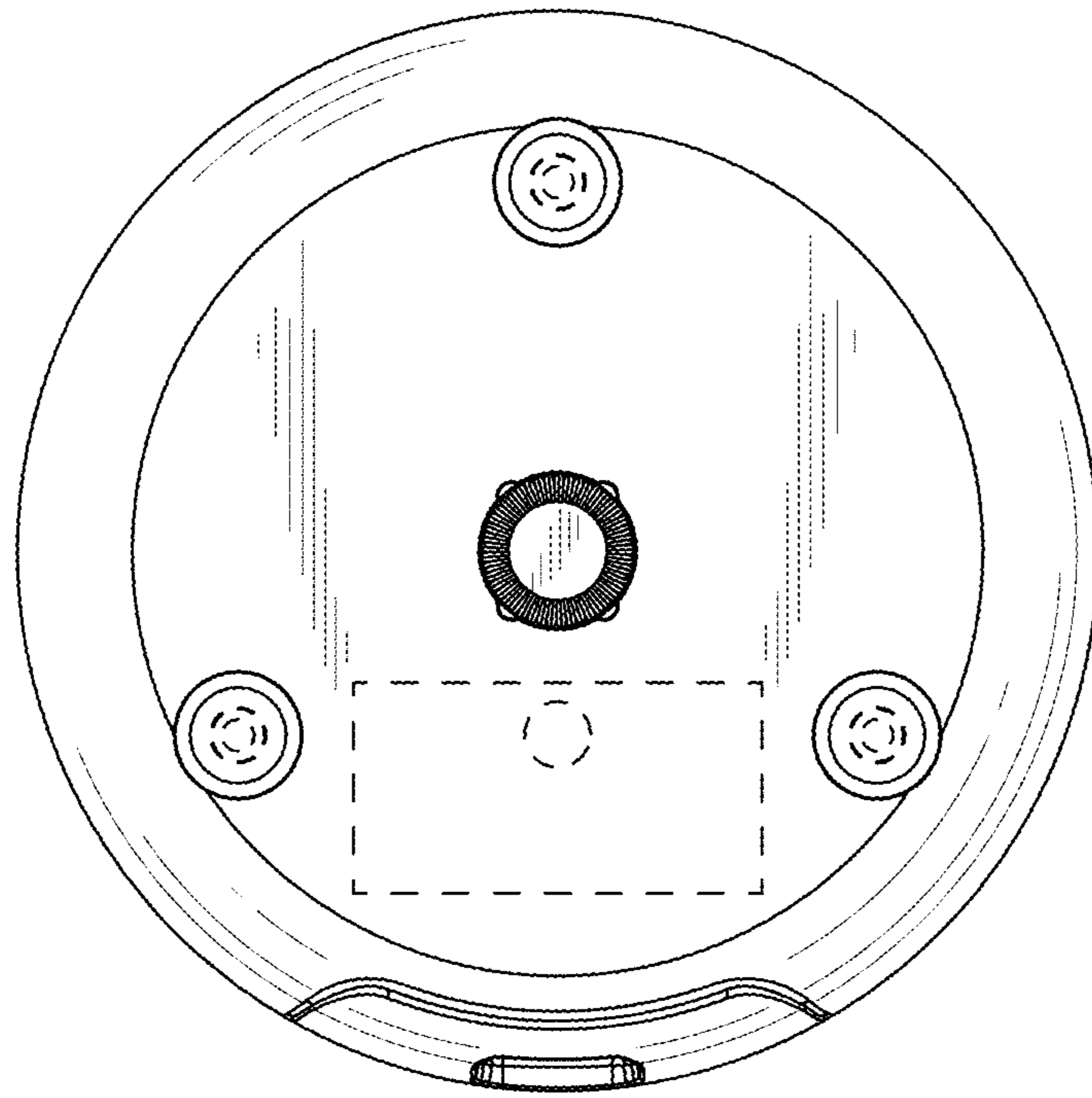


Fig.7