



US00D902974S

(12) **United States Design Patent** (10) **Patent No.:** **US D902,974 S**
Park et al. (45) **Date of Patent:** **** Nov. 24, 2020**

(54) **DOORJAMB CAMERA**

(71) Applicant: **Hanwha Techwin Co., Ltd.**,
Seongnam-si (KR)

(72) Inventors: **Ho Jin Park**, Changwon-si (KR); **Mun Jun Park**, Changwon-si (KR)

(73) Assignee: **HANWHA TECHWIN CO., LTD.**,
Seongnam-si (KR)

(**) Term: **15 Years**

(21) Appl. No.: **29/675,100**

(22) Filed: **Dec. 28, 2018**

(30) **Foreign Application Priority Data**

Jun. 29, 2018 (KR) 30-2018-0030244

(51) **LOC (12) Cl.** **16-01**

(52) **U.S. Cl.**

USPC **D16/203; D16/208; D16/202**

(58) **Field of Classification Search**

USPC D16/200–220, 131, 132, 237, 242, 239,
D16/250, 235, 130, 134, 136, 238;
D14/417, 138 C, 240, 248, 203.1, 203.3,
D14/203.7, 218, 207, 440, 402, 454, 407,
D14/408, 480.3, 480.1, 483; D12/187;
D10/31, 104.1, 50, 65, 74, 70, 118.2, 66;
D26/118, 113

CPC . G02B 7/02; G02B 7/021; G02B 7/04; G02B
7/14; G02B 7/003; G02B 7/008; G02B
13/06; G03B 17/00; G03B 17/02; G03B
17/56; G03B 17/04; G03B 17/14; G03B
17/08; G03B 15/03; G03B 15/06; H04N
1/00981; H04N 5/2251; H04N 5/2252;
H04N 5/2253; H04N 5/2254; H04N
5/23238; H04N 7/00; H04N 13/239;
H04N 2101/00; F16M 13/00

See application file for complete search history.

(56) **References Cited**

U.S. PATENT DOCUMENTS

D275,658	S	*	9/1984	Kahl, Jr.	D10/106.6
4,805,729	A	*	2/1989	Wascom	H04R 1/26 181/144
D301,696	S	*	6/1989	Greenlee	D10/106.7
D312,054	S	*	11/1990	Melman	D10/106.6
D341,787	S	*	11/1993	Chan	D10/106.7
D359,922	S	*	7/1995	Sandell	D10/106.7
D359,923	S	*	7/1995	Sandell	D10/106.7

(Continued)

OTHER PUBLICATIONS

SLA-T4680D_SLA-T4680DW Network Camera, published May 8, 2018 [online], [retrieved Jun. 8, 2020], Available from Internet, URL: <https://www.hanwhasecurity.com/media/attachment/file/s/1/sla-t4680d-qg-0508.pdf>.*

(Continued)

Primary Examiner — Dana K Weiland

Assistant Examiner — Mary Claire Ramirez

(74) *Attorney, Agent, or Firm* — Sughrue Mion, PLLC

(57) **CLAIM**

The ornamental design for a doorjamb camera, as shown and described.

DESCRIPTION

FIG. 1 is a perspective view of a doorjamb camera showing the new design;

FIG. 2 is a front view thereof;

FIG. 3 is a rear view thereof;

FIG. 4 is a left side view thereof;

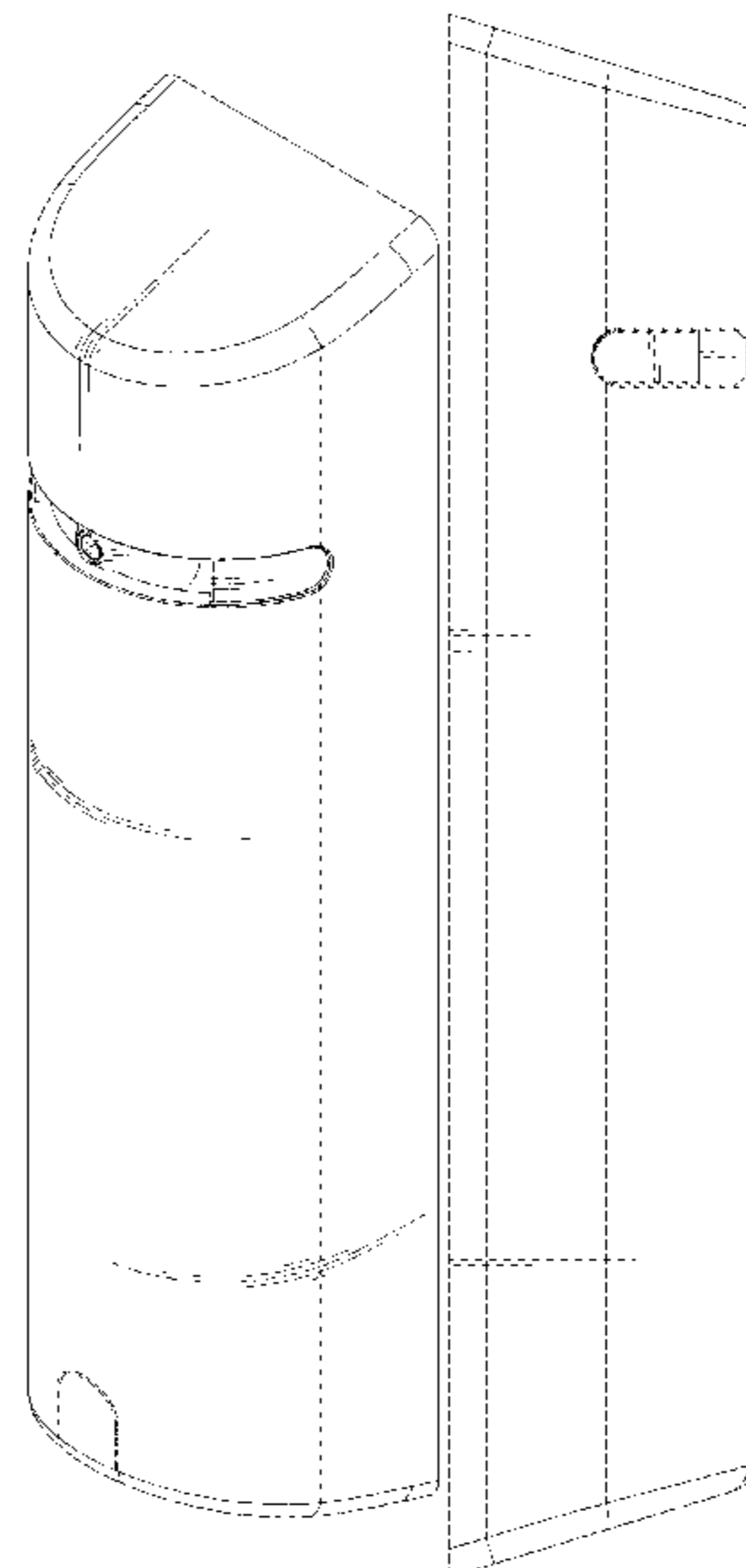
FIG. 5 is a right side view thereof;

FIG. 6 is a top plan view thereof; and,

FIG. 7 is a bottom view thereof.

The broken lines shown in the drawings depict portions of the doorjamb camera that form no part of the claimed design.

1 Claim, 7 Drawing Sheets



(56)

References Cited

U.S. PATENT DOCUMENTS

D363,250 S * 10/1995 Miyatake D10/114.1
 D425,534 S * 5/2000 Mutoh D10/106.1
 D427,153 S * 6/2000 Taylor D10/106.1
 D428,352 S * 7/2000 Hiller D10/106.7
 D429,696 S * 8/2000 Taylor D10/106.1
 D434,387 S * 11/2000 Taylor D10/106.1
 D477,345 S * 7/2003 Hildreth D16/203
 D501,494 S * 2/2005 Ogura D16/202
 D594,364 S * 6/2009 Decker D10/106.8
 D624,106 S * 9/2010 Cho D16/203
 D628,103 S * 11/2010 Schmalz D10/106.6
 7,893,958 B1 * 2/2011 D'Agostino B60R 11/04
 348/148
 8,258,949 B1 * 9/2012 Jaynes G08B 15/001
 340/332
 D692,898 S * 11/2013 Luijben D14/447
 D697,035 S * 1/2014 Huang D13/168
 D721,113 S * 1/2015 Huang D16/202
 D756,813 S * 5/2016 Ueland D10/65
 D757,586 S * 5/2016 Li D10/106.6
 9,456,114 B2 * 9/2016 Huang H04N 5/2252
 D796,364 S * 9/2017 Konotopskyi D10/106.1
 D807,944 S * 1/2018 Worthington D16/218
 D811,461 S * 2/2018 Chen D16/200
 D824,791 S * 8/2018 Scalisi D10/118
 D826,073 S * 8/2018 Alkelai D10/70
 D826,941 S * 8/2018 Zhou D14/420
 D828,187 S * 9/2018 O'Neill D10/66
 D835,334 S * 12/2018 Dal Ponte D26/118
 D841,073 S * 2/2019 Leiponis D16/203

D842,358 S * 3/2019 Puric D16/203
 D848,502 S * 5/2019 Puric D16/203
 D849,095 S * 5/2019 Puric D16/203
 D861,526 S * 10/2019 Wang D10/106.6
 D862,266 S * 10/2019 Kondo D10/106.6
 D862,560 S * 10/2019 Moy D16/203
 D863,401 S * 10/2019 Hasani D16/203
 D863,409 S * 10/2019 Wang D16/235
 D870,175 S * 12/2019 Sponring D16/200
 D870,791 S * 12/2019 Hasani D16/203
 D873,828 S * 1/2020 Zhou D14/420
 D876,514 S * 2/2020 Siminoff D16/203
 D879,857 S * 3/2020 Leiponis D16/203
 2005/0025360 A1 * 2/2005 Gin G06K 9/00221
 382/181
 2008/0198010 A1 * 8/2008 Richard G08B 29/046
 340/567
 2012/0282815 A1 * 11/2012 Aurongzeb H01R 13/625
 439/660
 2019/0219899 A1 * 7/2019 Vega G03B 17/02

OTHER PUBLICATIONS

Parabit CCTV Camera enclosure for airports, published 2020 [online], [retrieved Mar. 28, 2020], Available from Internet, URL: <https://www.aeroexpo.online/prod/parabit-systems/product-177577-58197.html>.
 XNB-H6280B 2MP Network Bandit Barrier Camera Kit, published 2020 [online], [retrieved Mar. 28, 2020], Available from Internet, URL: <https://www.hanwhasecurity.com/xnb-h6280b.html>.

* cited by examiner

FIG. 1

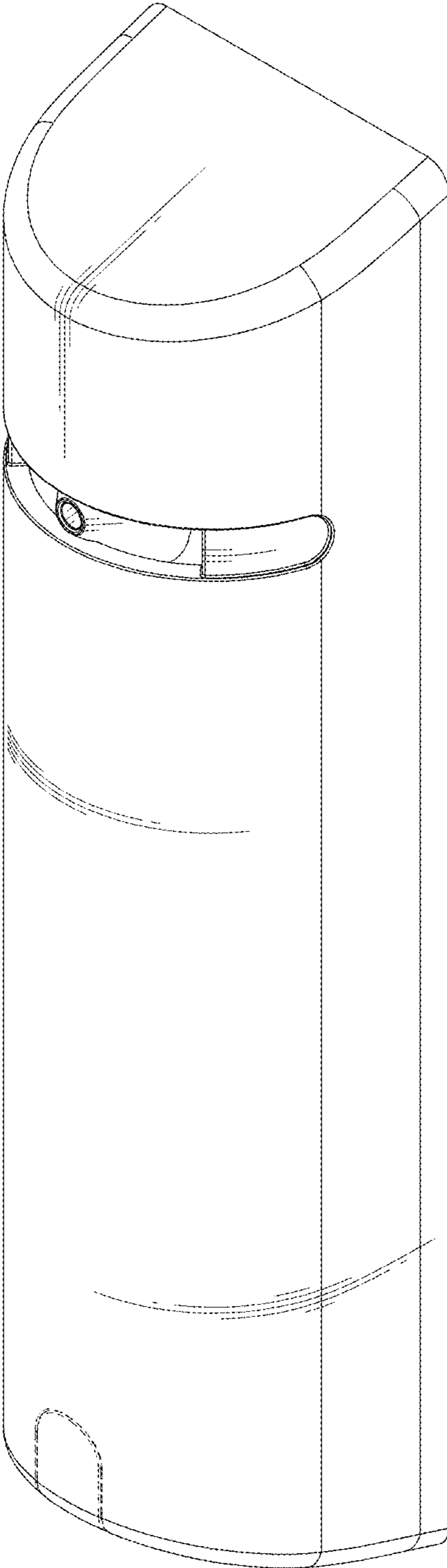


FIG. 2

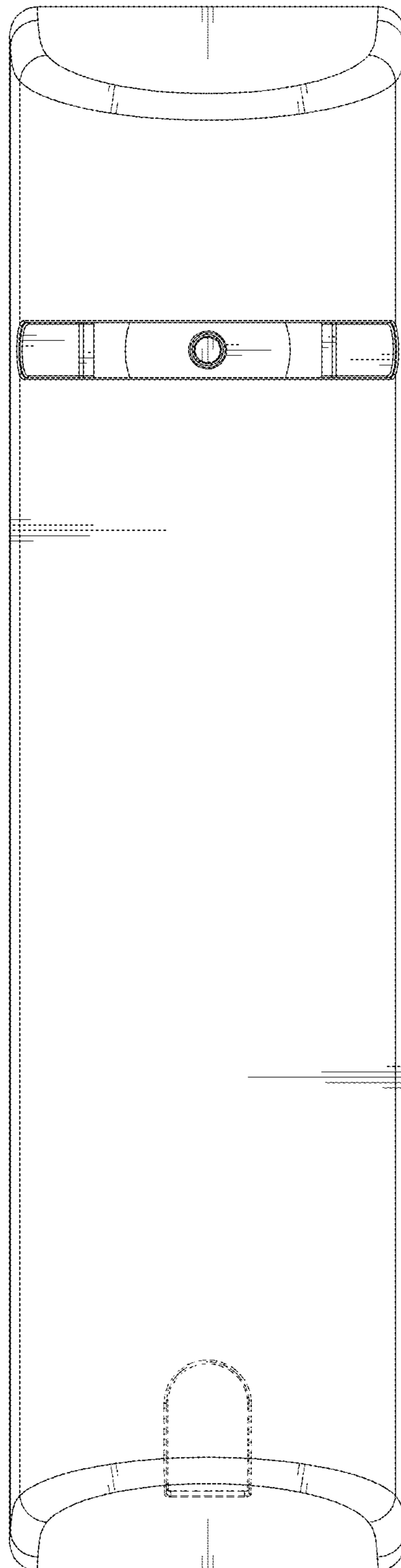


FIG. 3

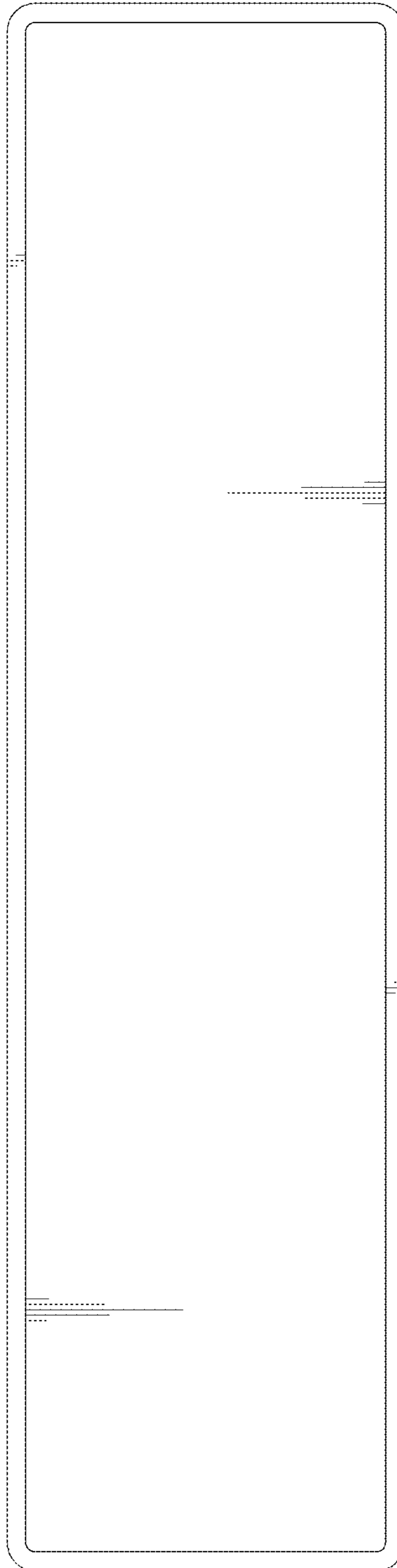


FIG. 4

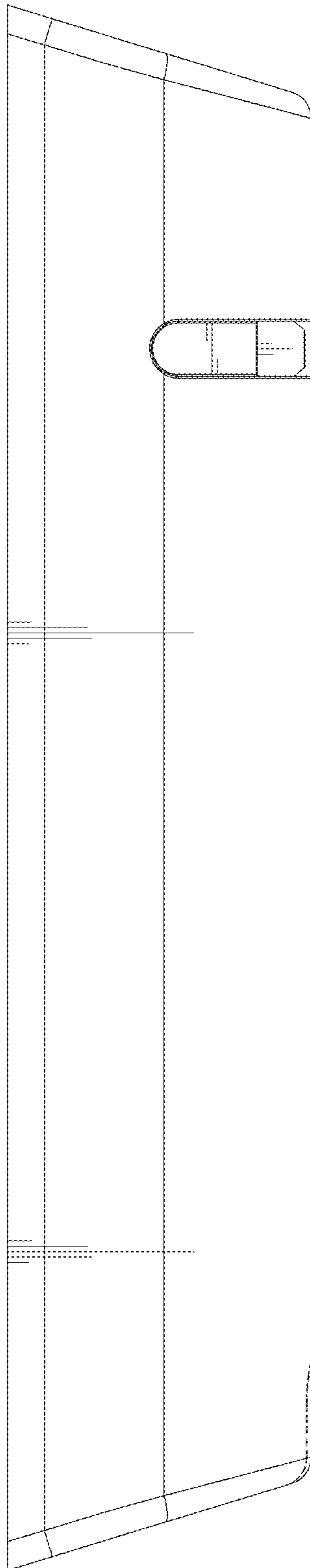


FIG. 5

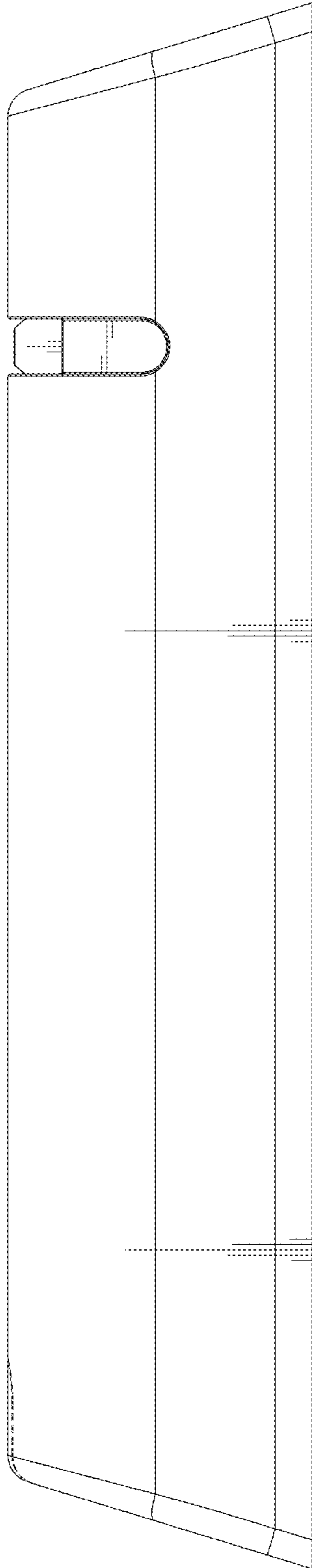


FIG. 6

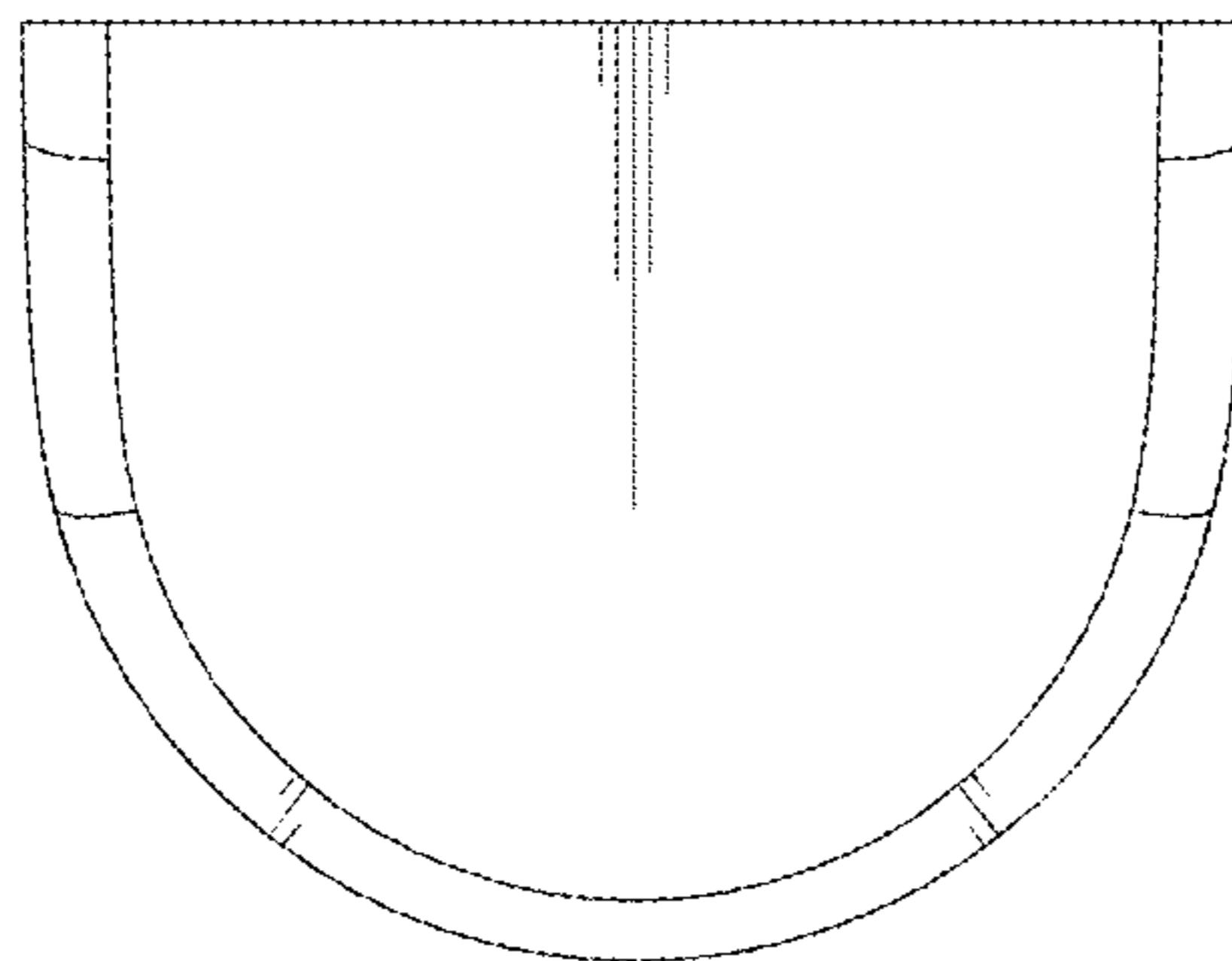


FIG. 7

