



US00D902973S

(12) **United States Design Patent**
Homza et al.

(10) **Patent No.:** **US D902,973 S**
(45) **Date of Patent:** **** Nov. 24, 2020**

(54) **CAMERA**

- (71) Applicant: **Comcast Cable Communications, LLC**, Philadelphia, PA (US)
- (72) Inventors: **Henry Homza**, Philadelphia, PA (US); **WonMo Koo**, Philadelphia, PA (US); **Michael Jou**, Philadelphia, PA (US); **Neil Epstein**, Bryn Mawr, PA (US)
- (73) Assignee: **Comcast Cable Communications, LLC**, Philadelphia, PA (US)

(**) Term: **15 Years**

(21) Appl. No.: **29/674,331**

(22) Filed: **Dec. 20, 2018**

(51) **LOC (12) Cl.** **16-01**

(52) **U.S. Cl.**
USPC **D16/203; D16/202**

(58) **Field of Classification Search**
USPC D3/210, 215, 207-209; D8/356, 357; D10/31, 104.1, 50, 65, 74, 70, 118.2, 66; D16/200-220, 131, 132, 237, 242, 239, D16/250, 235, 130, 134, 136, 238; D14/417, 138 C, 240, 248, 203.1, 203.3, D14/203.7, 218, 207, 440, 402, 454, 407, D14/408, 480.3, 480.1, 483; D24/138
CPC . G02B 7/02; G02B 7/021; G02B 7/04; G02B 7/14; G02B 7/003; G02B 7/008; G02B 13/06; G03B 17/00; G03B 17/02; G03B 17/56; G03B 17/04; G03B 17/14; G03B 17/08; G03B 15/03; G03B 15/06; H04N 1/00981; H04N 5/2251; H04N 5/2252; H04N 5/2253; H04N 5/2254; H04N 5/23238; H04N 7/00; H04N 13/239; H04N 2101/00; F16M 13/00

See application file for complete search history.

(56) **References Cited**

U.S. PATENT DOCUMENTS

- D629,031 S * 12/2010 Su D16/202
- D632,718 S * 2/2011 Tzeng D16/202
- D644,221 S * 8/2011 Kemery D14/240
- D647,934 S * 11/2011 Raken D16/202

(Continued)

OTHER PUBLICATIONS

Comcast Xfinity Home_s xCam, published Jul. 6, 2016 [online], [retrieved Mar. 14, 2020], Available from Internet, URL: <https://corporate.comcast.com/news-information/news-feed/comcast-adds-new-video-camera-and-voice-controls-to-smart-home-platform>.*

(Continued)

Primary Examiner — Dana K Weiland

Assistant Examiner — Mary Claire Ramirez

(74) *Attorney, Agent, or Firm* — BakerHostetler

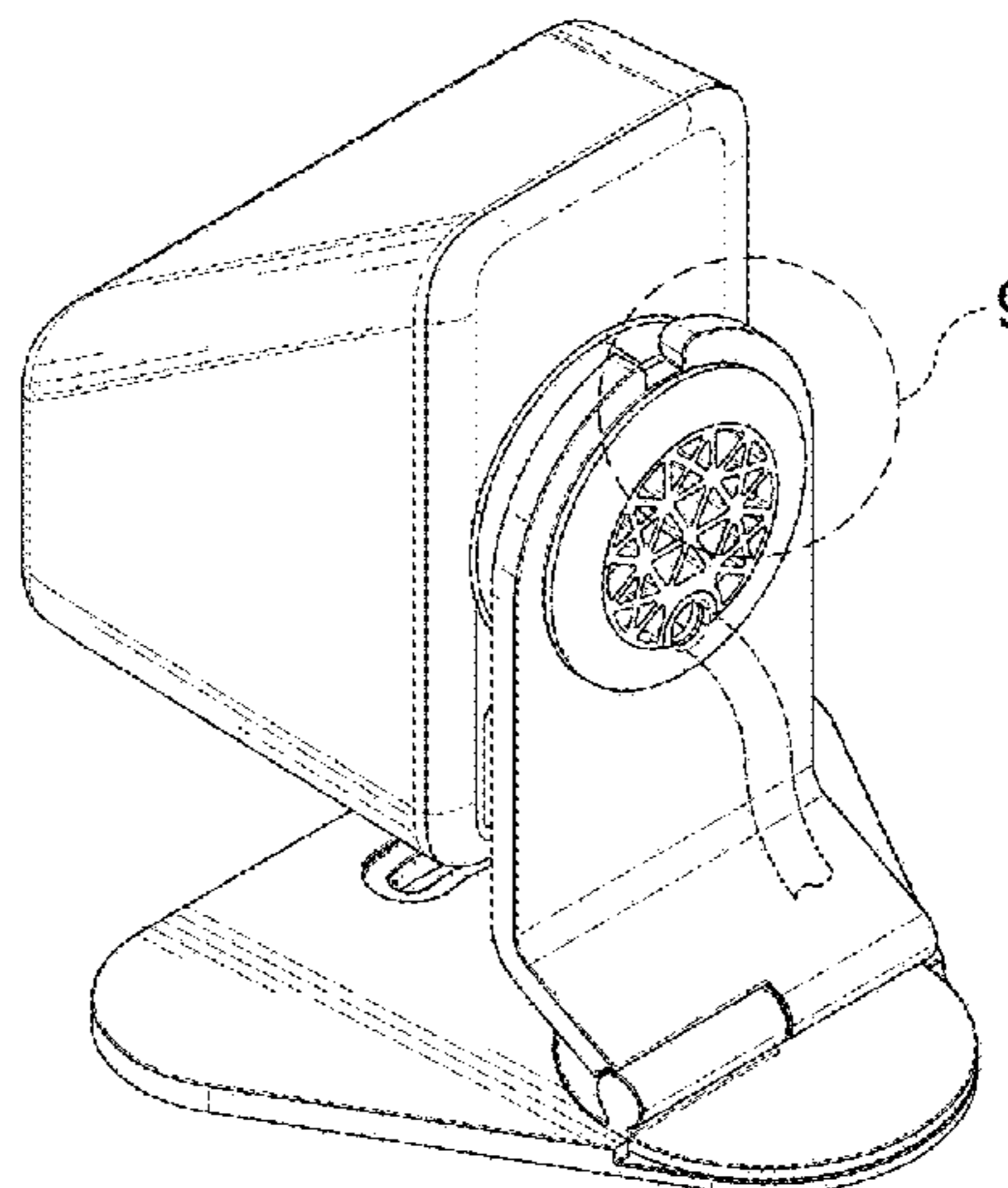
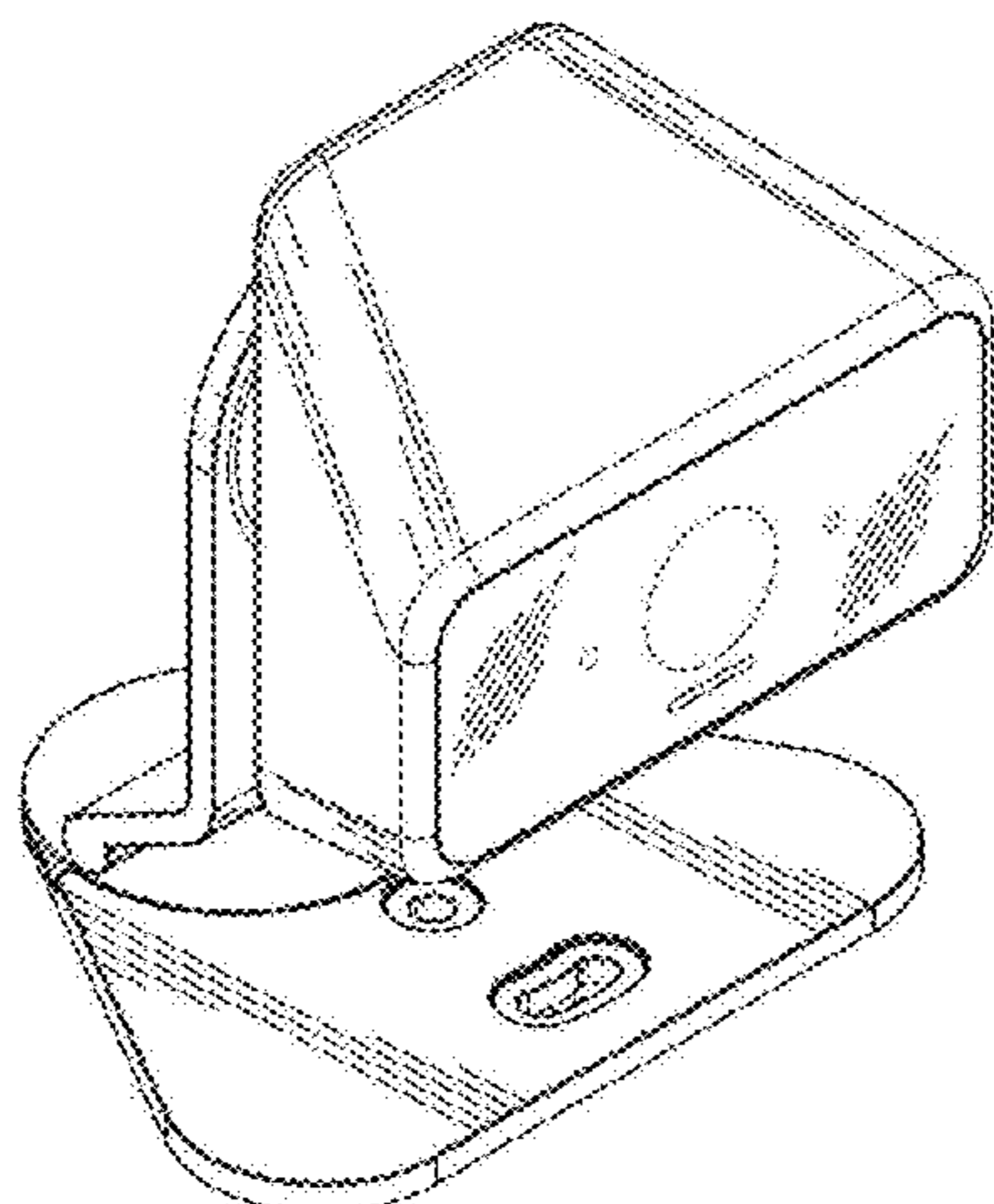
(57) **CLAIM**

The ornamental design for a camera, as shown and described.

DESCRIPTION

FIG. 1 is a front perspective view of a camera showing the new design;
 FIG. 2 is a rear perspective view of the camera of FIG. 1;
 FIG. 3 is a front view of the camera of FIG. 1;
 FIG. 4 is a rear view of the camera of FIG. 1;
 FIG. 5 is a top view of the camera of FIG. 1;
 FIG. 6 is a bottom view of the camera of FIG. 1;
 FIG. 7 is a right side view of the camera of FIG. 1;
 FIG. 8 is a left side view of the camera of FIG. 1;
 FIG. 9 is an enlarged view of the portion of the camera shown in FIG. 2; and,
 FIG. 10 is a cross-sectional view of the camera taken in the direction of line 10-10 in FIG. 4.
 The broken lines showing a cord in FIGS. 2, 4, 7, 8, and 10 depict environmental subject matter and form no part of the claimed design. The broken lines shown in the drawings depict portions of the camera that form no part of the claimed design.

1 Claim, 5 Drawing Sheets



(56)

References Cited

U.S. PATENT DOCUMENTS

D660,338 S * 5/2012 Chen D16/202
 D770,458 S * 11/2016 Corcoran D14/440
 D783,075 S * 4/2017 Maxwell D16/202
 D794,020 S * 8/2017 Homza D14/240
 D801,273 S * 10/2017 Jou D13/137.2
 D809,045 S * 1/2018 Jou D16/202
 D809,520 S * 2/2018 Jou D14/455
 D810,709 S * 2/2018 Jou D14/125
 D816,142 S * 4/2018 Song D16/203
 D820,695 S * 6/2018 Jou D10/52
 D847,106 S * 4/2019 Koo D14/125
 D857,776 S * 8/2019 Li D16/202
 D867,419 S * 11/2019 Liu D16/202
 D870,790 S * 12/2019 Depay D16/202
 D872,039 S * 1/2020 Maletz D14/125
 2011/0243547 A1 * 10/2011 Khamsepoor F16M 11/08
 396/428
 2011/0243548 A1 * 10/2011 Khamsepoor G03B 17/04
 396/428

2013/0315577 A1* 11/2013 Clark G03B 29/00
 396/27
 2018/0007331 A1* 1/2018 Levcovich G08B 13/19617
 2018/0084200 A1* 3/2018 Liang F16M 11/105

OTHER PUBLICATIONS

Xfinity Home xCam—Wi-Fi Enabled Camera for Smart Home Platform, published Jul. 6, 2016 [online], [retrieved Mar. 14, 2020], Available from Internet, URL: https://www.youtube.com/watch?v=Yq_kj0PXhTo.
 Xfinity Xcam Indoor-Outdoor Camera, published 2016 [online], [retrieved Mar. 14, 2020], Available from Internet, URL: <https://ifworlddesignguide.com/entry/232864-xfinity-xcam>.
 Xfinity indoor-outdoor camera, published Nov. 15, 2018 [online], [retrieved Mar. 14, 2020], Available from Internet, URL: <https://www.digitaltrends.com/home/xfinity-home-security-camera-faces-license-plates/>.
 Xfinity Home xCam, published Jul. 6, 2016 [online], [retrieved Mar. 14, 2020], Available from Internet, URL: <https://www.cablefax.com/distribution/comcast-adds-camera-voice-controls-to-xfinity-home>.

* cited by examiner

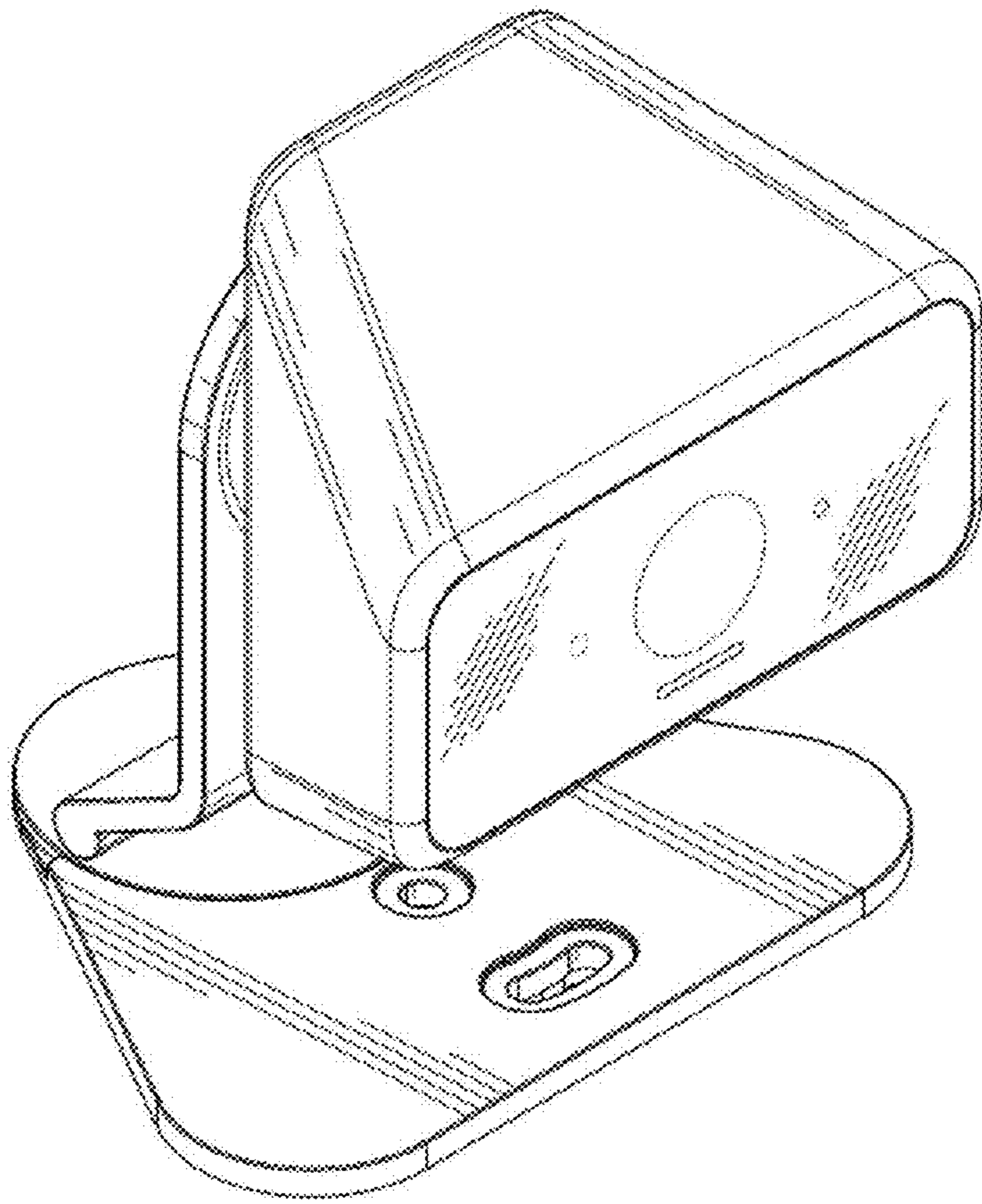


FIG. 1

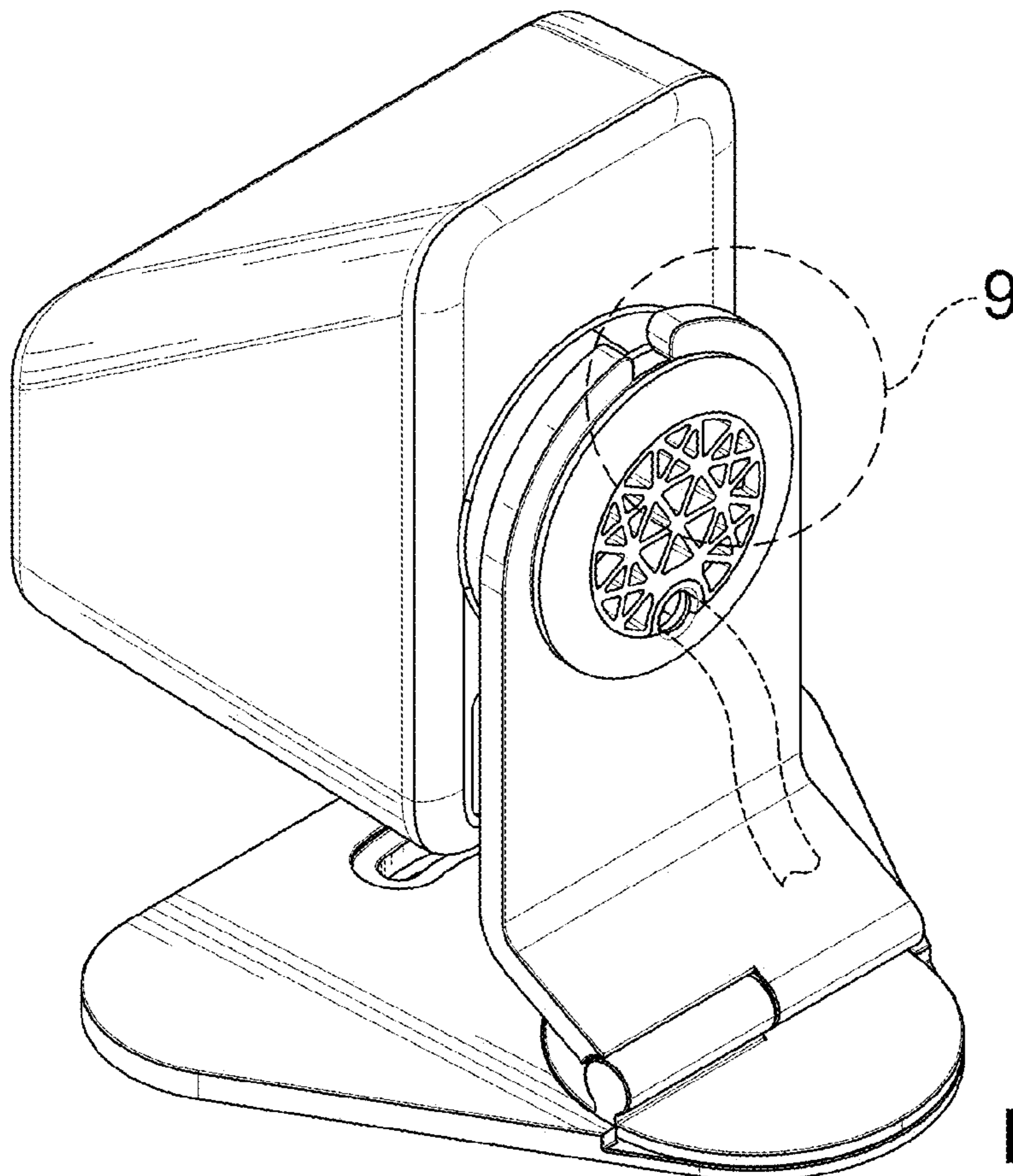


FIG. 2

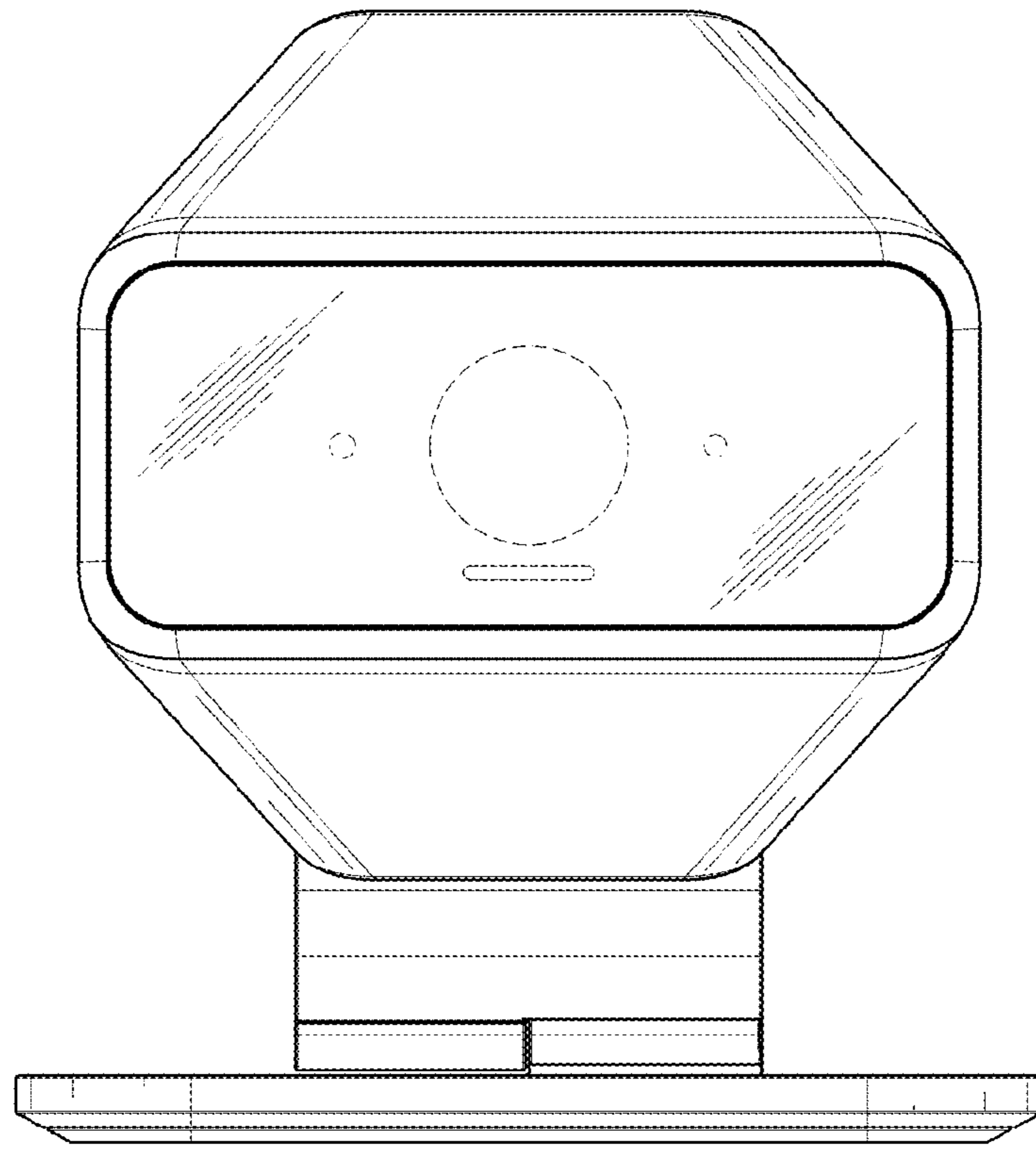


FIG. 3

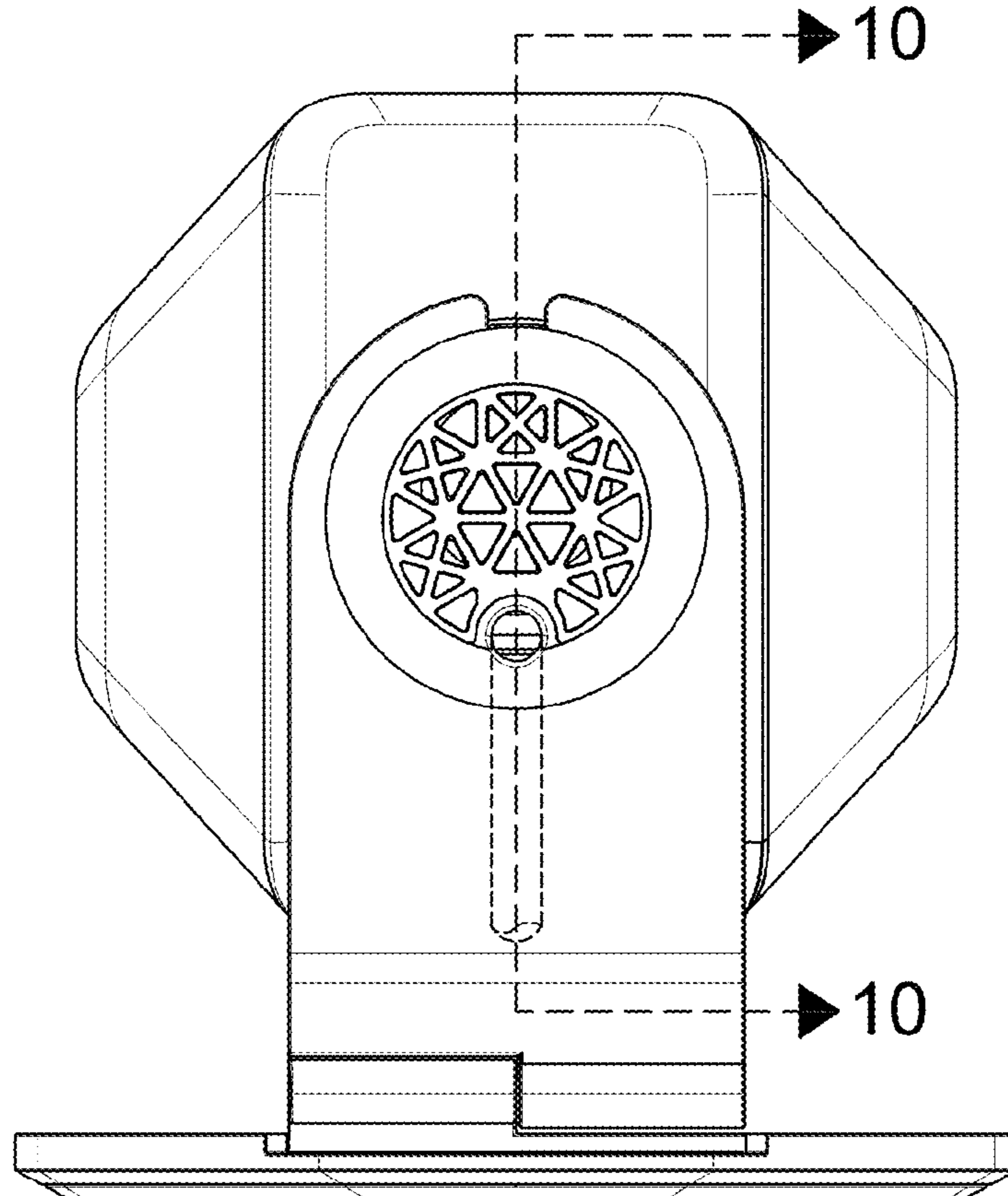


FIG. 4

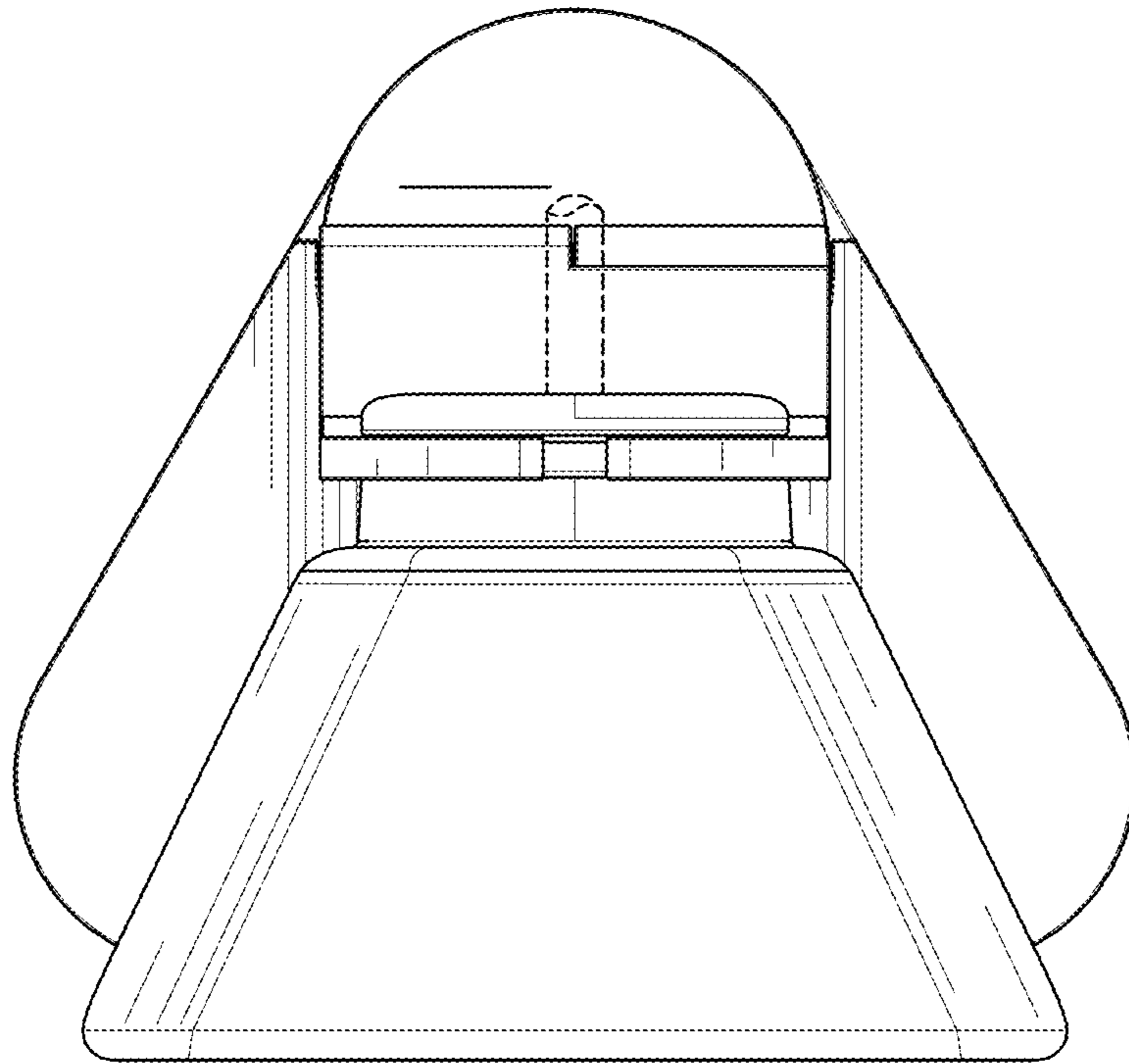


FIG. 5

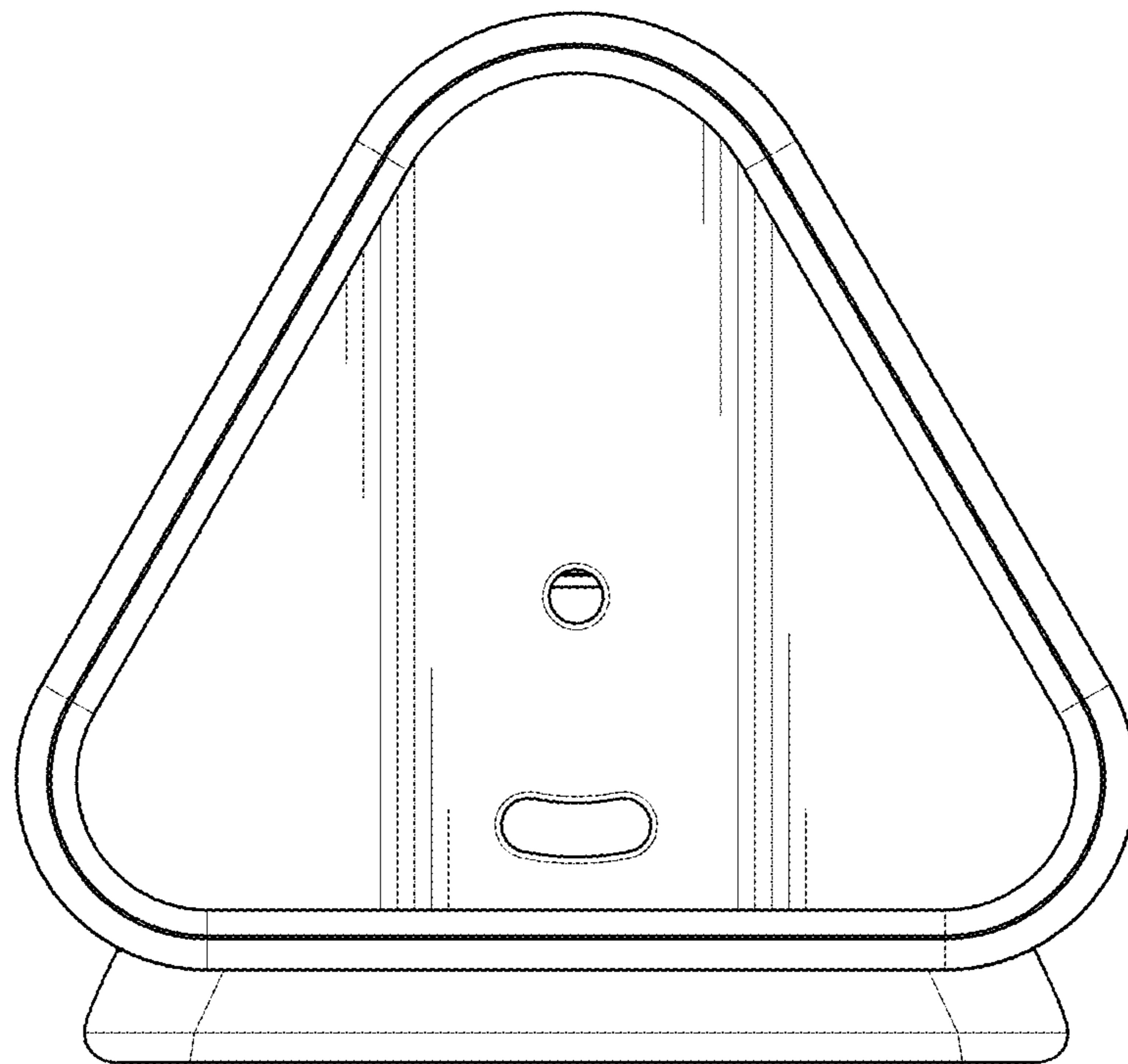


FIG. 6

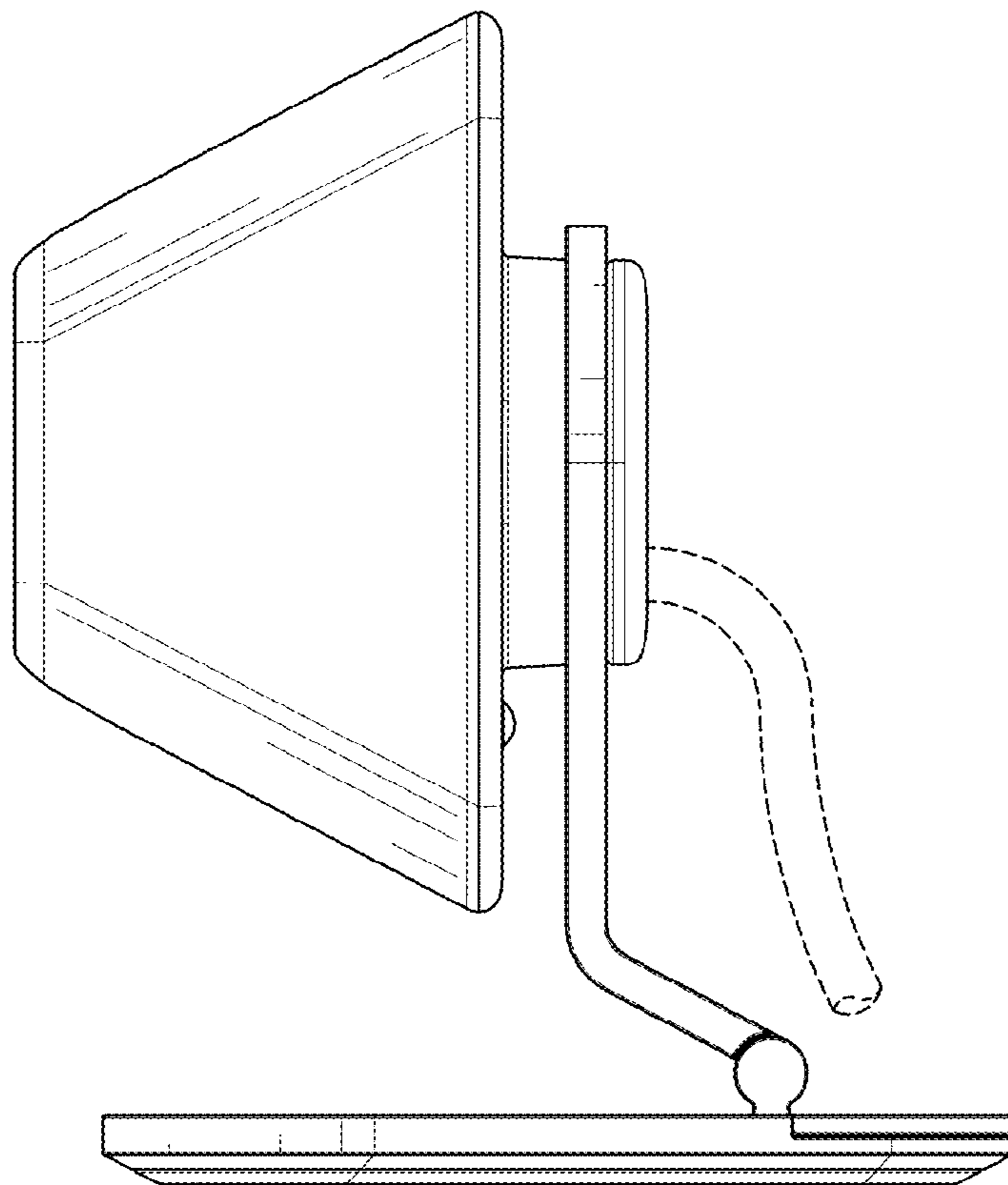


FIG. 7

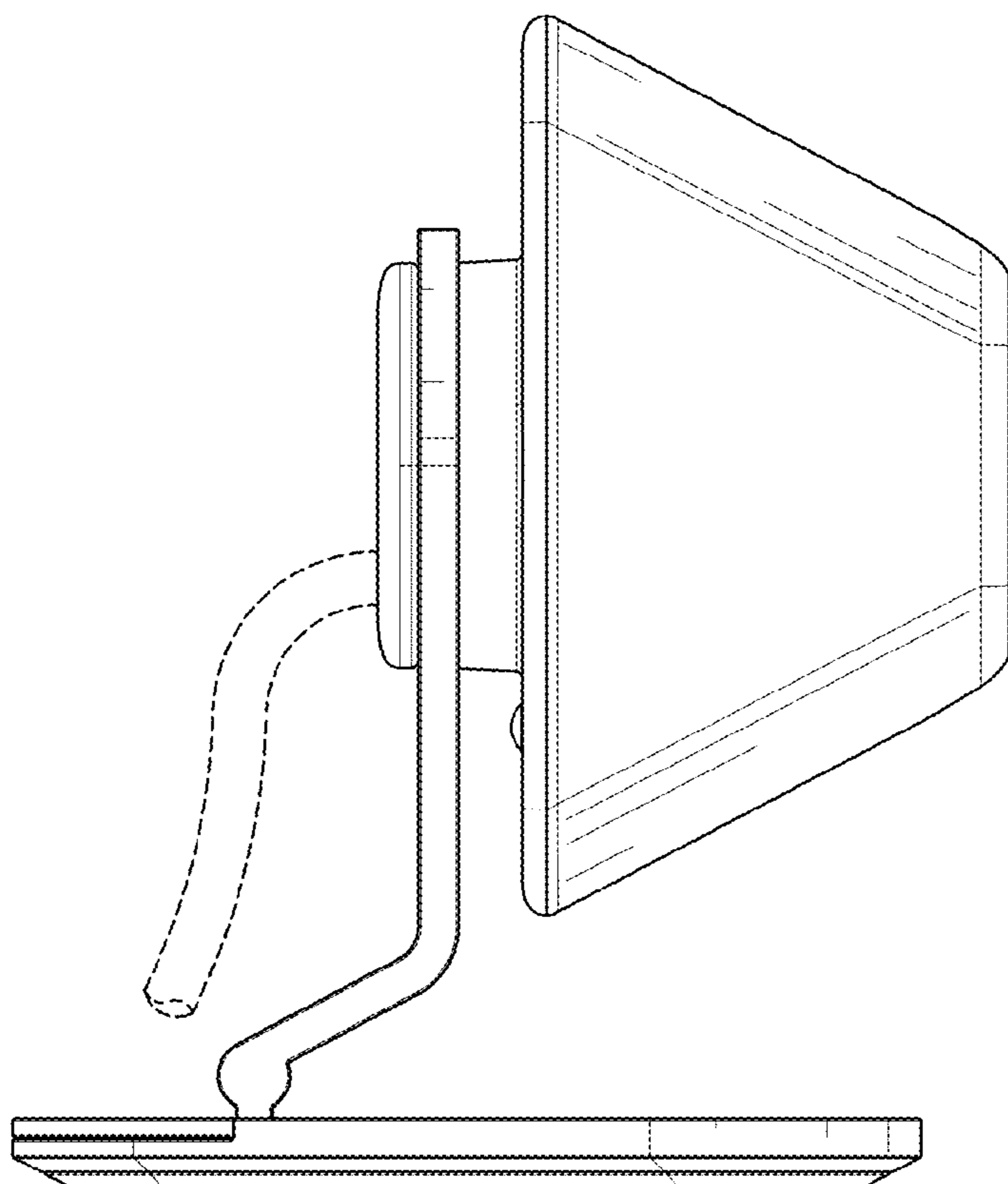


FIG. 8

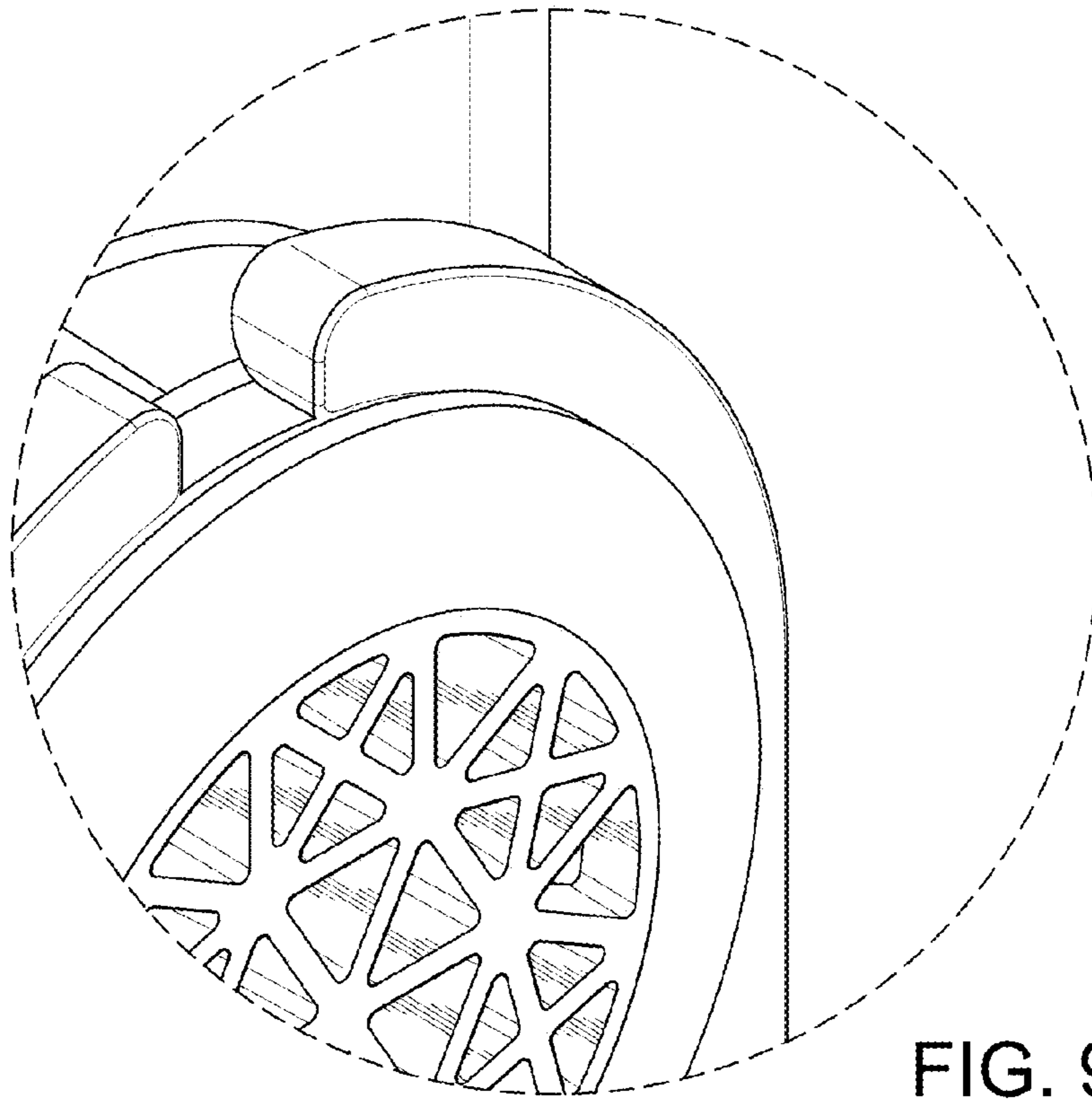


FIG. 9

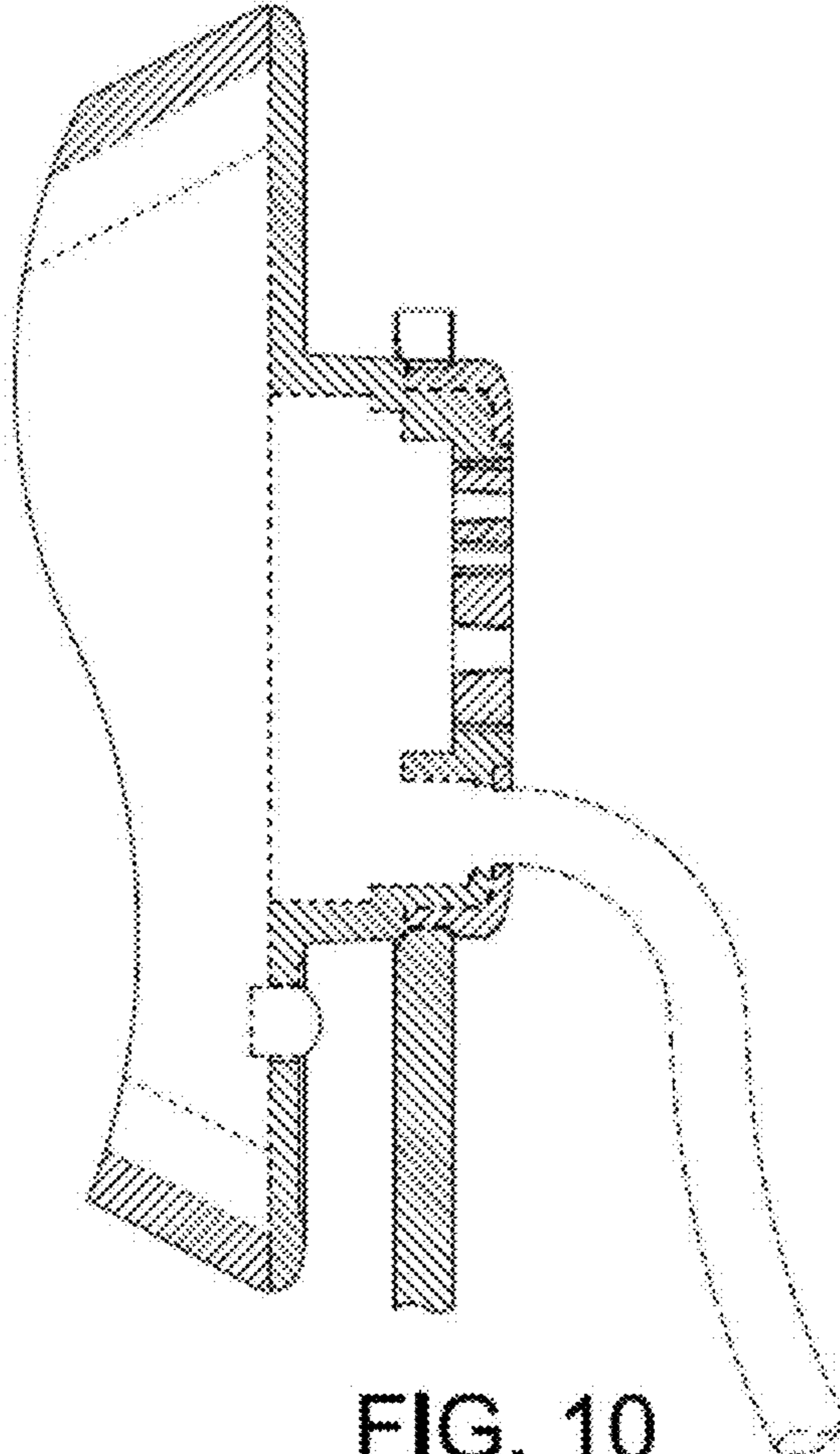


FIG. 10