



US00D902972S

(12) **United States Design Patent**
Nishimura

(10) **Patent No.:** **US D902,972 S**

(45) **Date of Patent:** **** Nov. 24, 2020**

(54) **INDUSTRIAL CAMERA FOR MACHINE VISION**

(71) Applicant: **Canon Kabushiki Kaisha**, Tokyo (JP)

(72) Inventor: **Kenichi Nishimura**, Tokyo (JP)

(73) Assignee: **Canon Kabushiki Kaisha**, Tokyo (JP)

(**) Term: **15 Years**

(21) Appl. No.: **29/703,208**

(22) Filed: **Aug. 26, 2019**

(30) **Foreign Application Priority Data**

Feb. 27, 2019 (JP) 2019-004028

(51) **LOC (12) Cl.** **16-01**

(52) **U.S. Cl.**
USPC **D16/202**; D16/200

(58) **Field of Classification Search**

USPC D16/200, 202–208, 218, 219, 242;
348/143, 148, 151, 373–376; 396/419,
396/427, 535, 539–541; 248/176.1, 187.1
CPC G03B 17/02; G03B 19/04; G03B 17/56;
G03B 17/04; G03B 15/03; H04N 5/2251;
H04N 5/2252; H04N 5/2253; H04N
5/2254; H04N 7/181; H04N 7/183; H04N
7/18

See application file for complete search history.

(56) **References Cited**

U.S. PATENT DOCUMENTS

D521,038 S * 5/2006 Takagi D16/200
D772,323 S * 11/2016 Zhang D16/200

D772,966 S * 11/2016 Song D16/200
D789,999 S * 6/2017 Yakabe D16/200
D805,569 S * 12/2017 Daugela D16/200
D816,140 S * 4/2018 Ranetkins G03B 17/08
D16/200
D821,480 S * 6/2018 Gioscia D16/219
D835,910 S * 12/2018 Eliyahu D3/294
D837,861 S * 1/2019 Luo D16/200
D861,055 S * 9/2019 Sekine D16/200
D874,534 S * 2/2020 Matsuo D16/203
D884,050 S * 5/2020 Le D16/203

* cited by examiner

Primary Examiner — Ramzi S Almatrahi

(74) *Attorney, Agent, or Firm* — Venable LLP

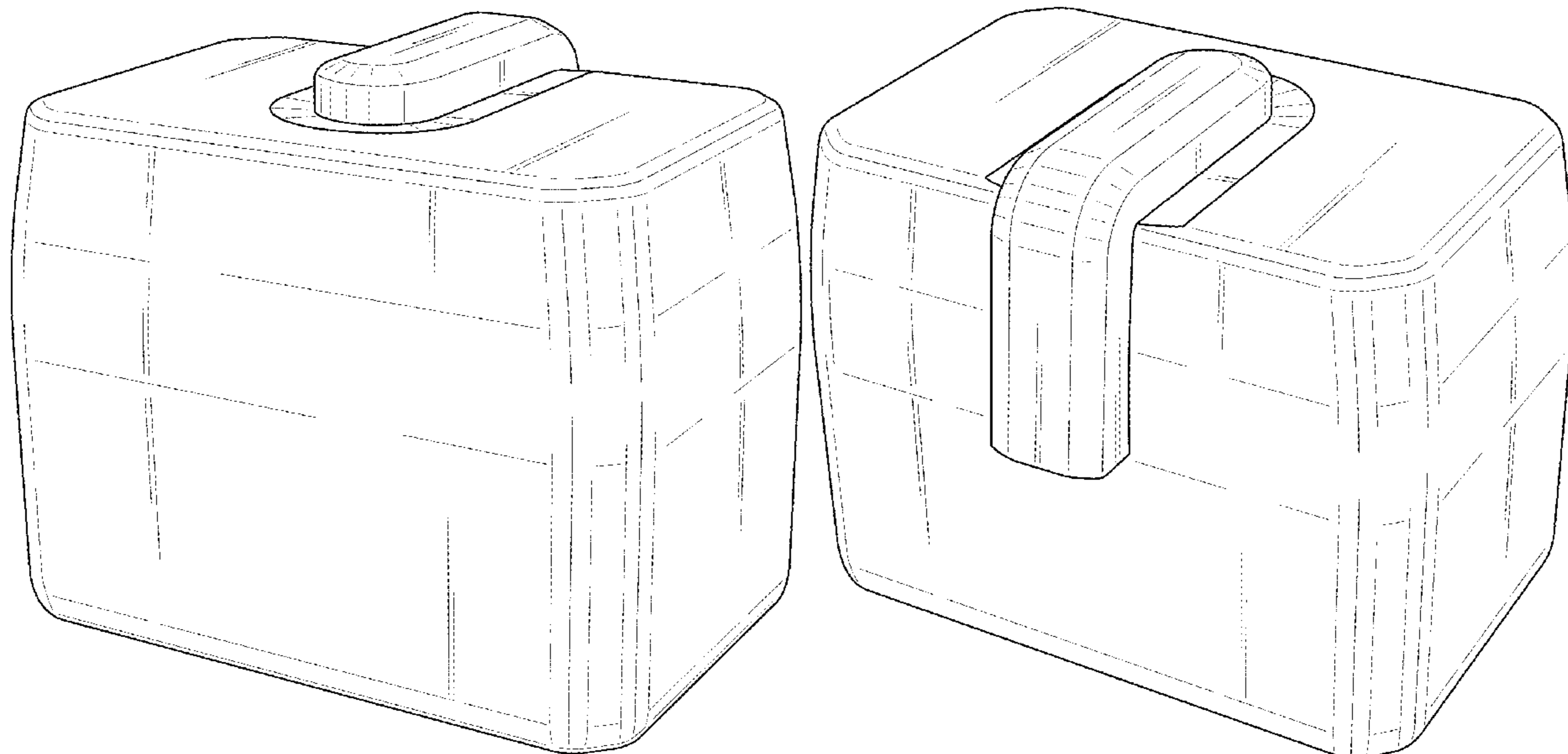
(57) **CLAIM**

The ornamental design for an industrial camera for machine vision, as shown and described.

DESCRIPTION

FIG. 1 is a front view of an industrial camera for machine vision showing my new design;
FIG. 2 is a rear view thereof;
FIG. 3 is a top plan view thereof;
FIG. 4 is a bottom plan view thereof;
FIG. 5 is a right side view thereof, the left side view being a mirror image thereof;
FIG. 6 is a front perspective view thereof;
FIG. 7 is a rear perspective view thereof;
FIG. 8 is a front perspective view thereof, shown in condition of use; and,
FIG. 9 is a rear perspective view thereof.
The broken lines in the drawing are included for the purpose of illustrating environmental subject matter and form no part of the claimed design.

1 Claim, 9 Drawing Sheets



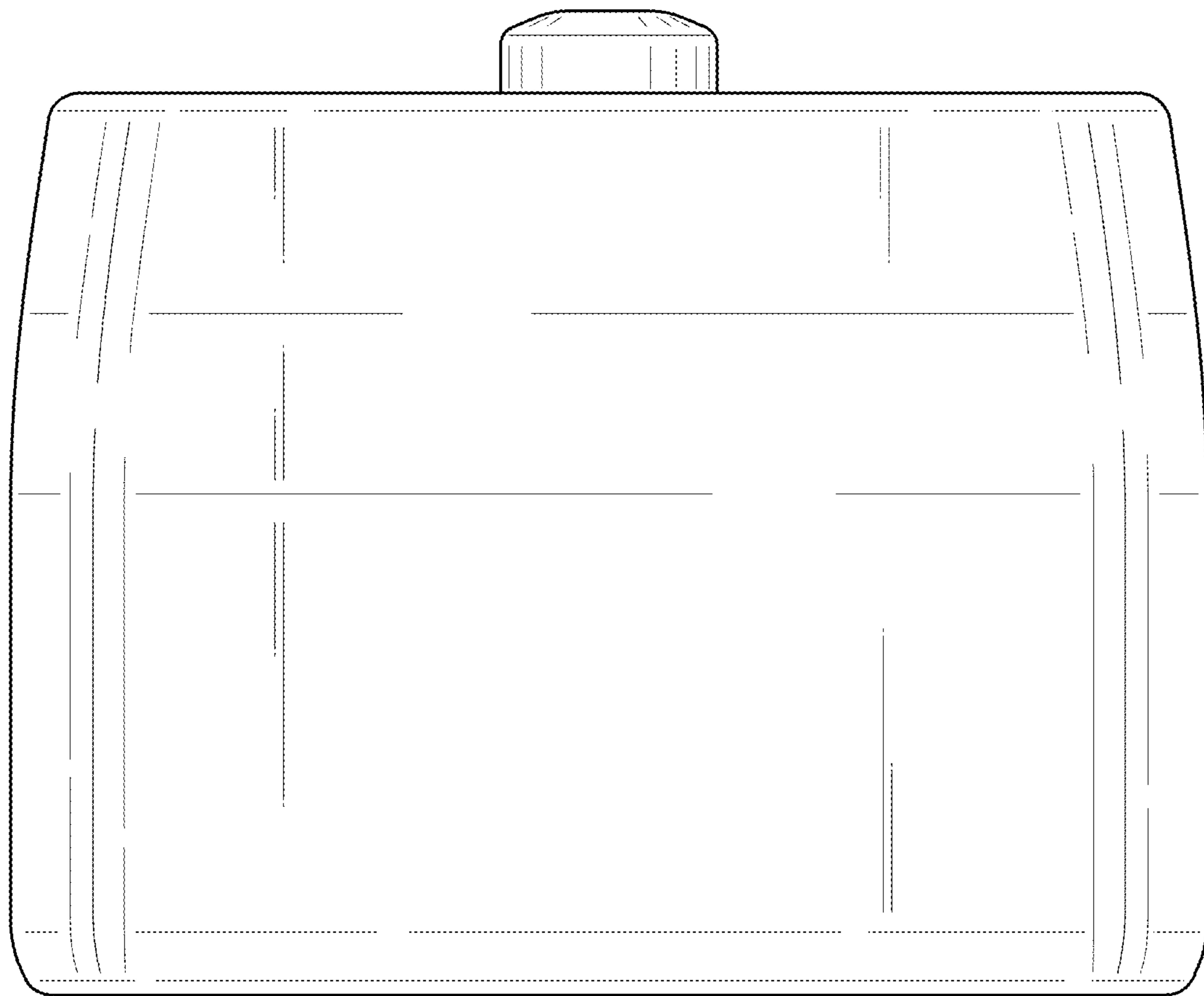


FIG. 1

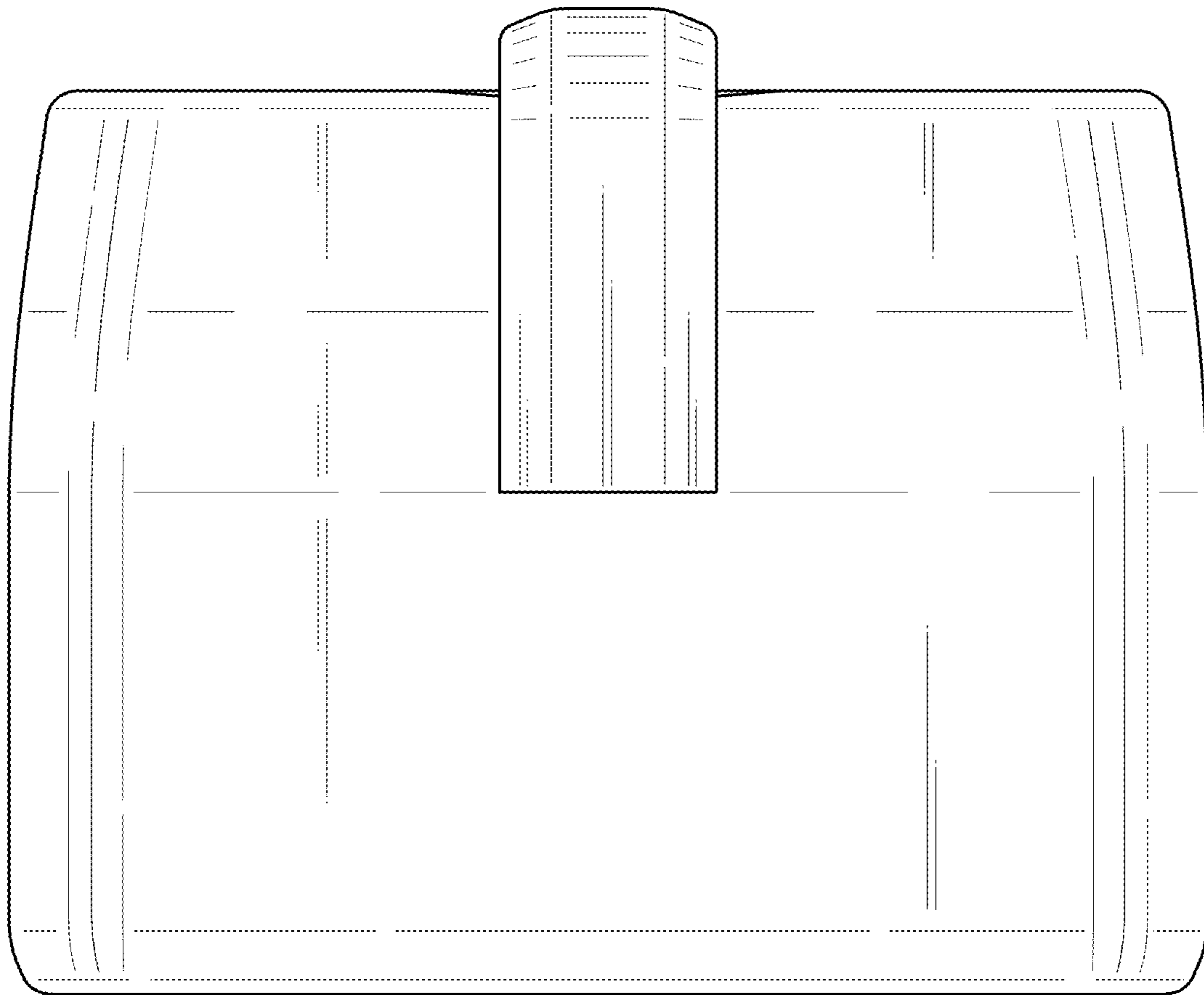


FIG. 2

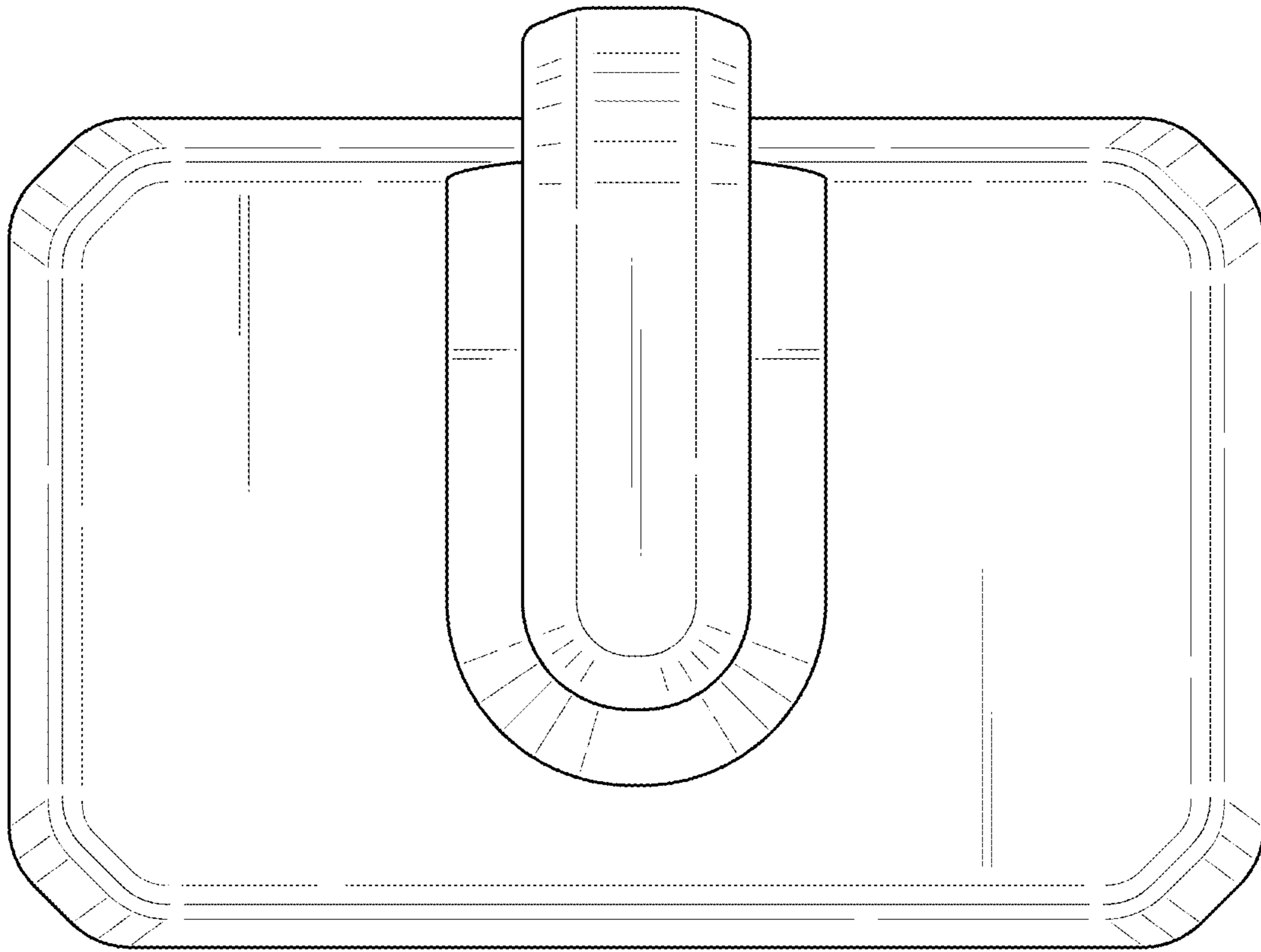


FIG. 3

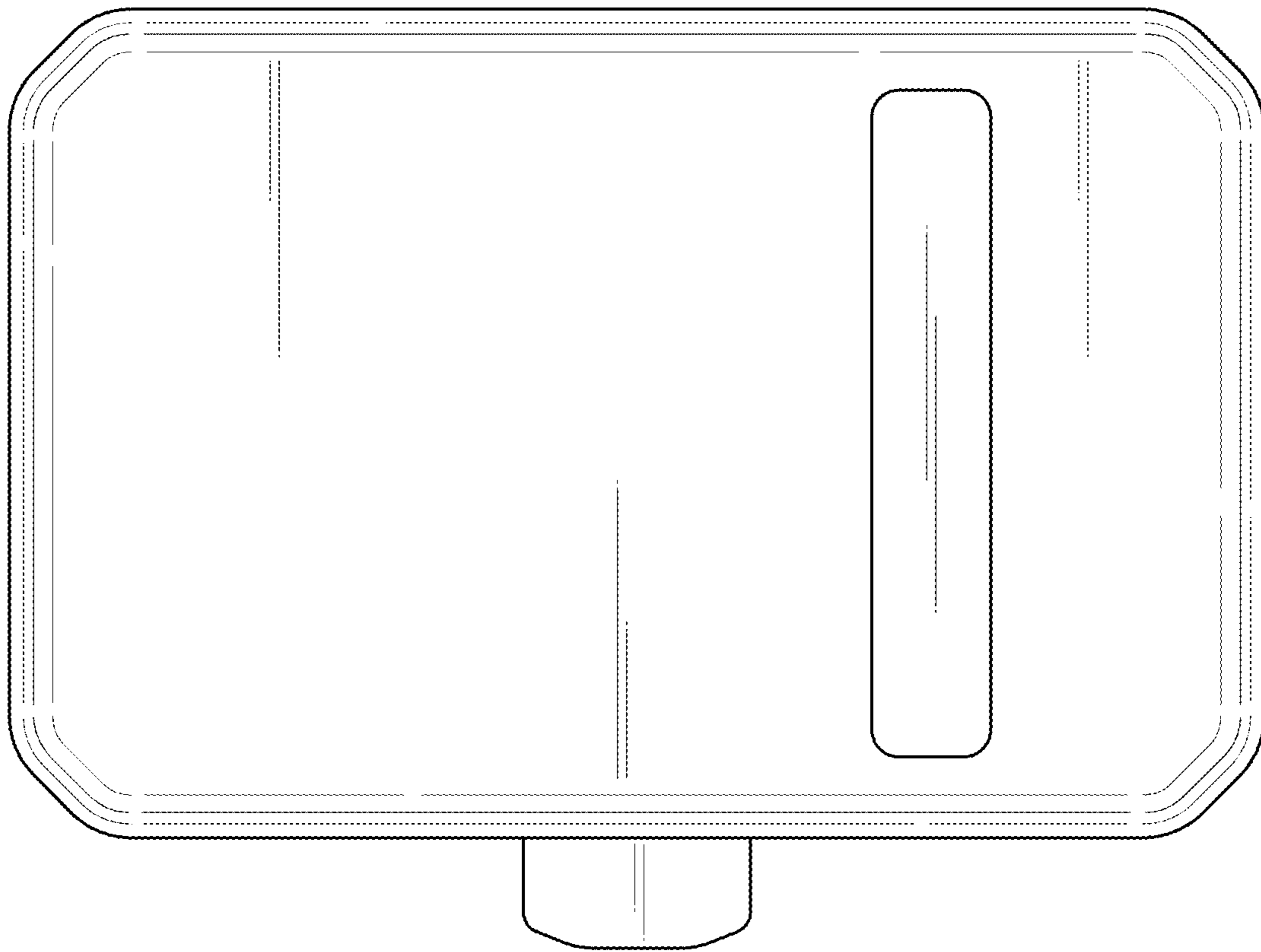


FIG. 4

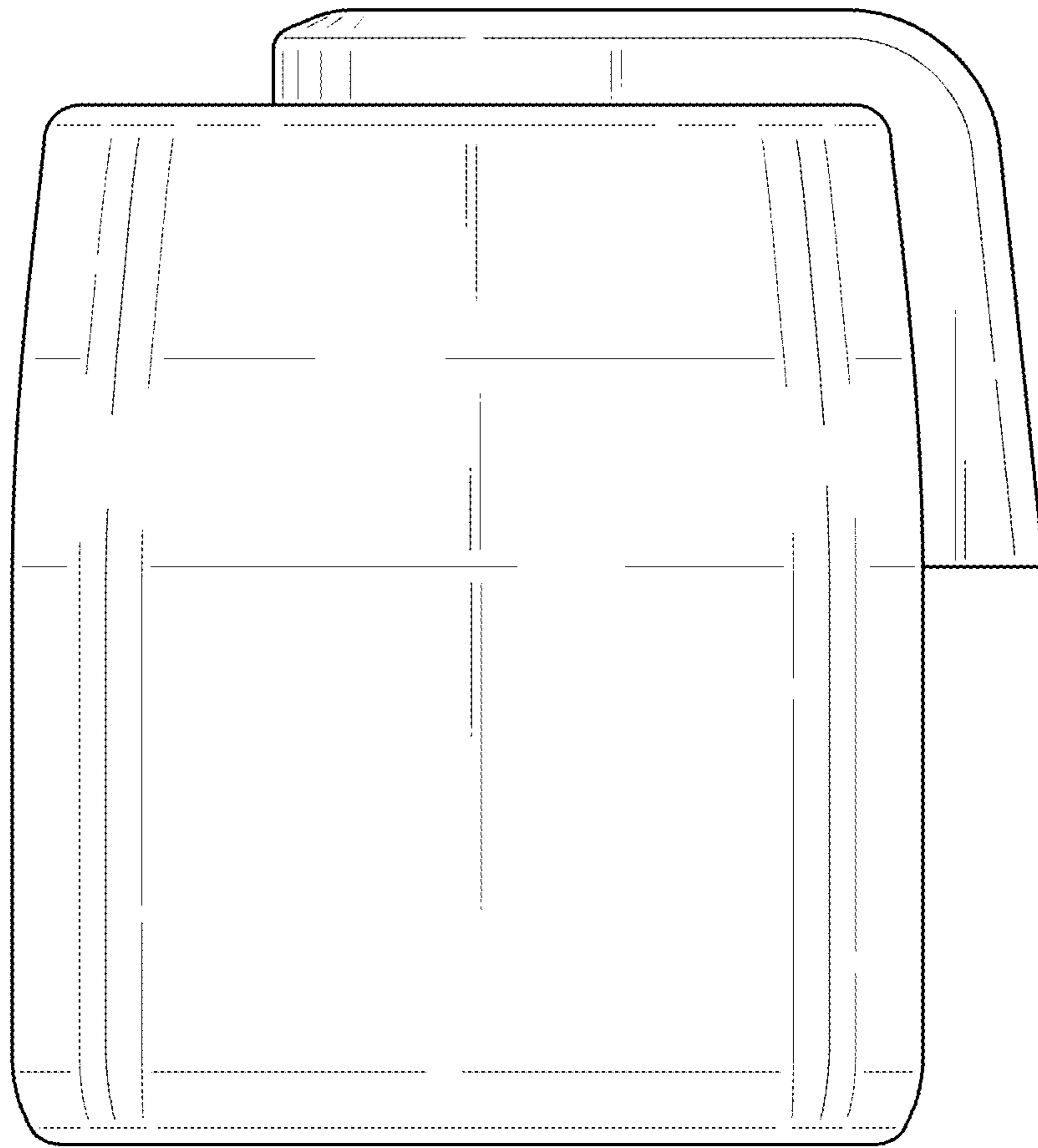


FIG. 5

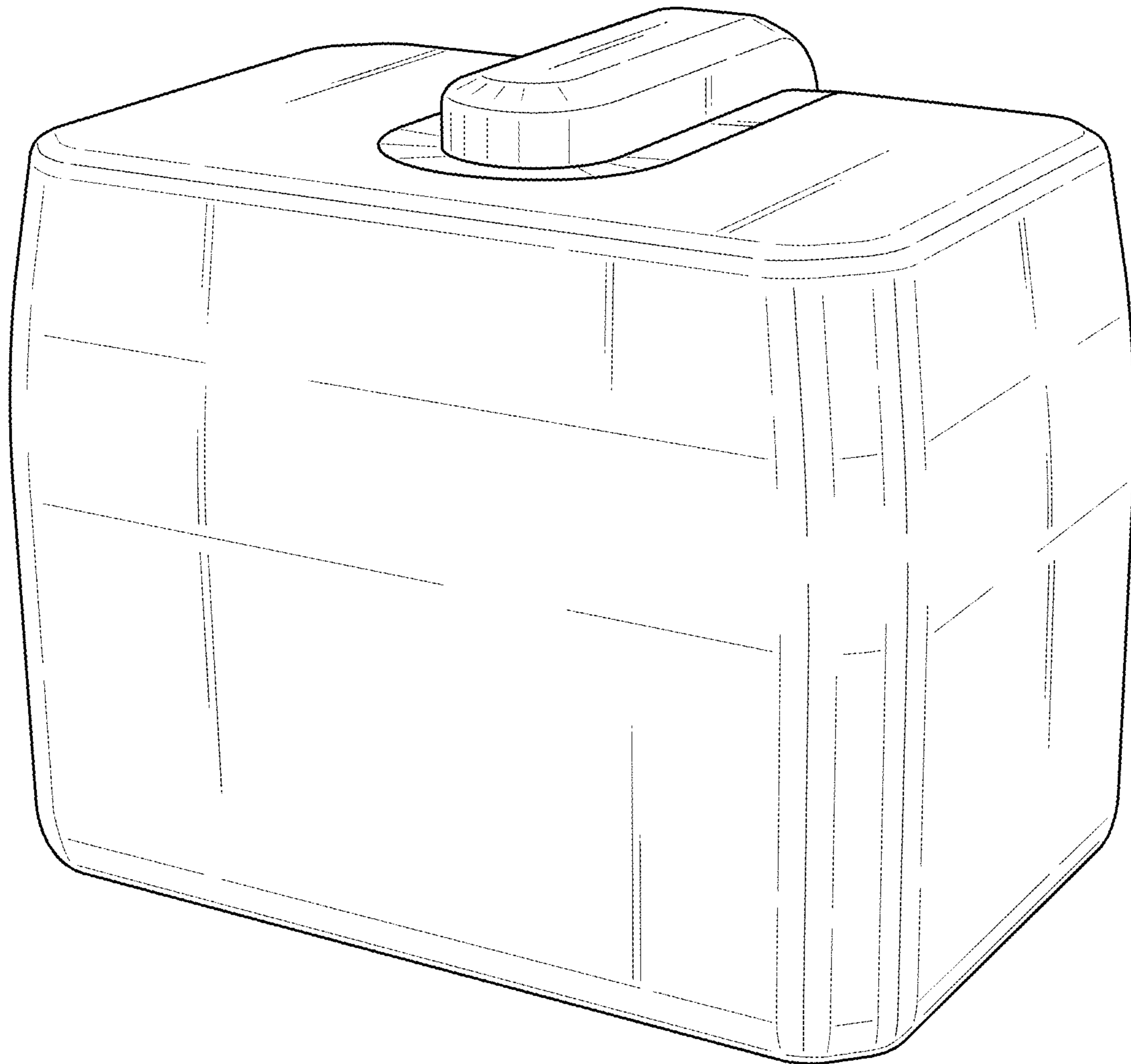


FIG. 6

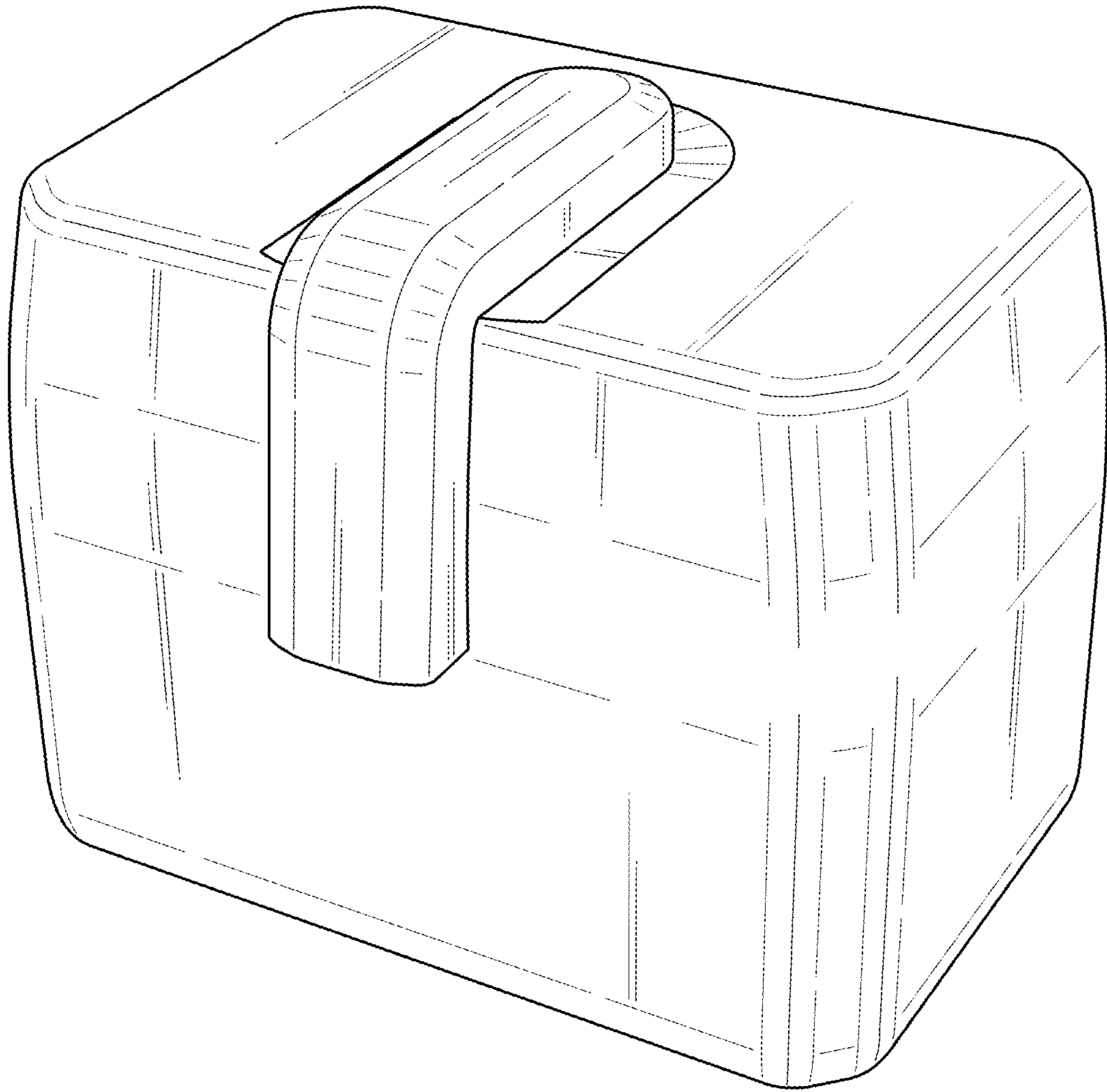


FIG. 7

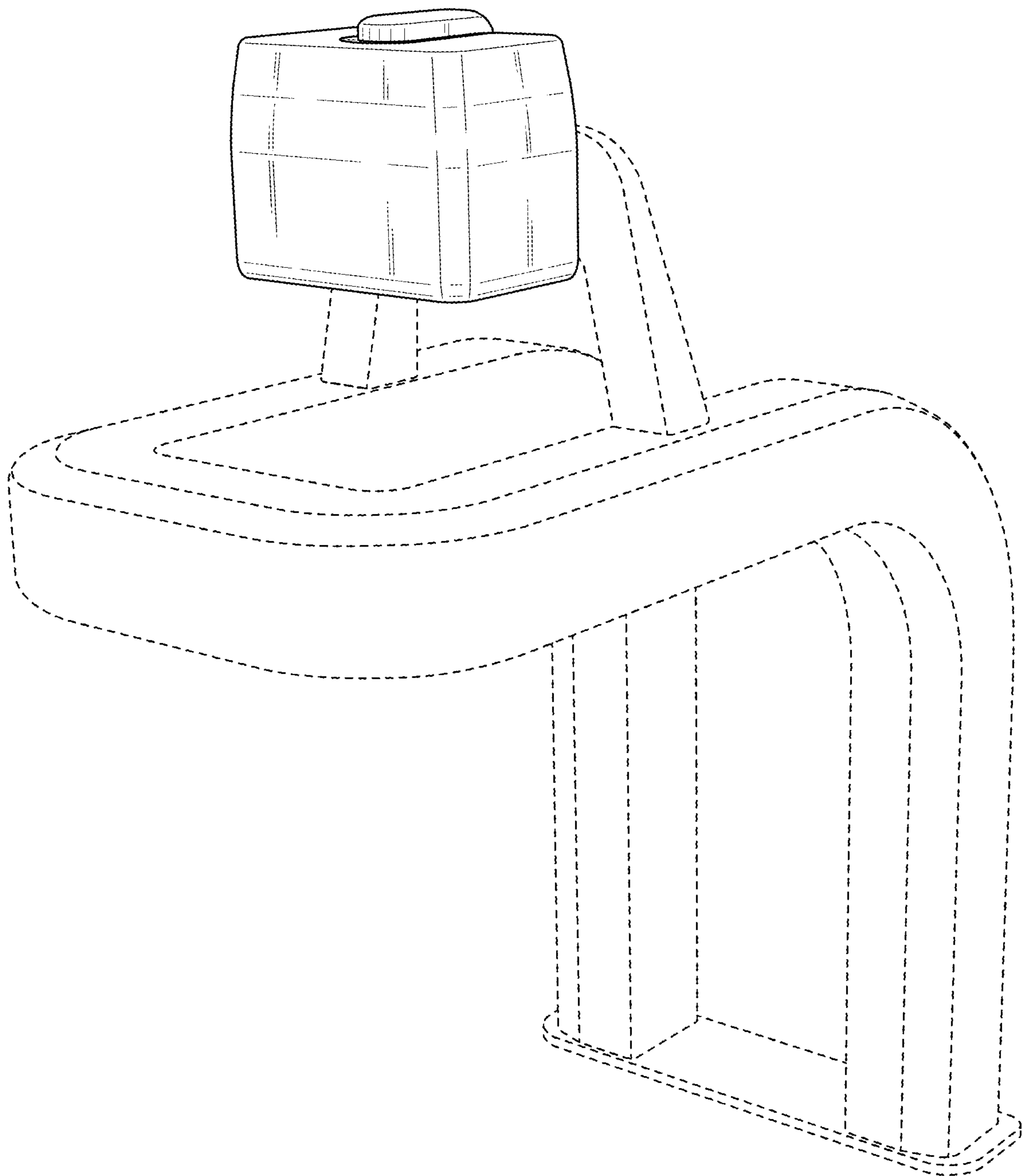


FIG. 8

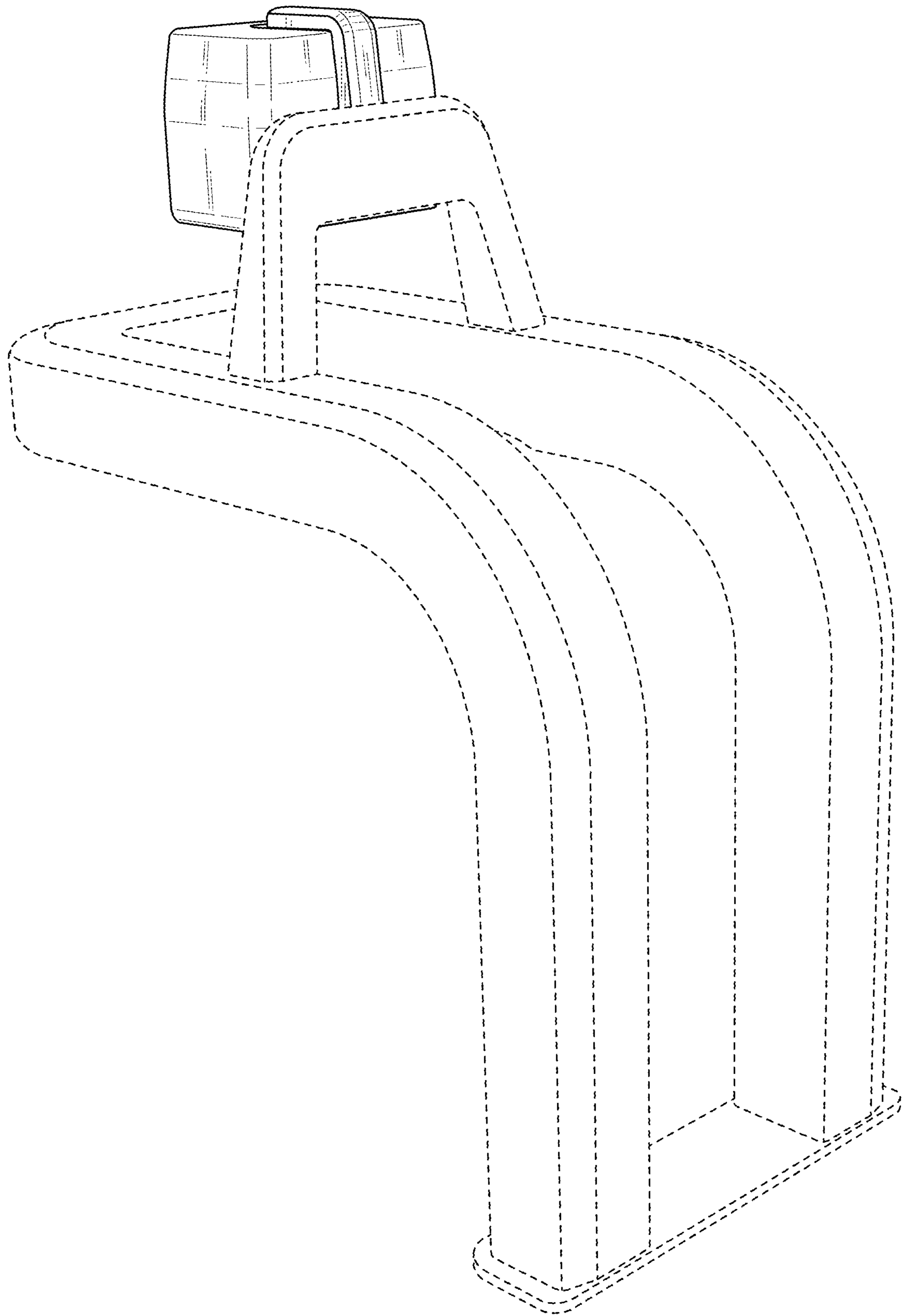


FIG. 9