



US00D902971S

(12) **United States Design Patent** (10) **Patent No.:** **US D902,971 S**
Voron et al. (45) **Date of Patent:** **** Nov. 24, 2020**

(54) **CAMERA SYSTEM**
(71) Applicant: **Dolby Laboratories Licensing Corporation**, San Francisco, CA (US)
(72) Inventors: **Vincent Voron**, Menlo Park, CA (US); **Peter Michaelian**, Tappan, NY (US); **Christine Anna Livaudais**, San Francisco, CA (US); **Drew Alexander Walcott**, San Francisco, CA (US); **Samuel James Fleming Carr**, San Francisco, CA (US)

6,845,954 B1 1/2005 Moayer et al.
7,572,073 B2 8/2009 Kenoyer et al.
D627,813 S 11/2010 Chen et al.
D643,456 S 8/2011 Won et al.
D665,439 S * 8/2012 Khamsepoor D16/202
D669,108 S 10/2012 Maeyama
D674,430 S * 1/2013 Inoue D16/218
D680,144 S * 4/2013 Tsai D16/202
D682,332 S * 5/2013 Wang D16/202
D685,015 S * 6/2013 Wang D16/202
D693,711 S * 11/2013 Jacobs D10/106.6
8,593,567 B2 * 11/2013 Xiao H04N 5/2251
348/373

(Continued)

(73) Assignee: **Dolby Laboratories Licensing Corporation**, San Francisco, CA (US)

(**) Term: **15 Years**

(21) Appl. No.: **29/639,635**

(22) Filed: **Mar. 7, 2018**

(51) **LOC (12) Cl.** **16-01**

(52) **U.S. Cl.**
USPC **D16/202**

(58) **Field of Classification Search**
USPC D10/61, 63, 65, 70, 71, 104.1, 106.7;
D16/200, 202–203, 207, 208, 218, 219;
D14/203.1, 204, 209.1, 496, 497;
348/14.01–14.6, 373–376; 396/427, 535,
396/539–541
CPC G03B 17/02; G03B 19/04; G03B 17/56;
G03B 17/04; G03B 15/03; H04N 5/2251;
H04N 5/2252; H04N 5/2253; H04N
5/2254; H04N 2101/00; H04N 2007/145;
H04N 7/141; H04N 7/142; H04N 7/147;
H04N 7/148; H04N 7/15; H04N 7/152
See application file for complete search history.

(56) **References Cited**

U.S. PATENT DOCUMENTS

6,738,094 B1 5/2004 Minami et al.
D497,925 S 11/2004 Zhang et al.

OTHER PUBLICATIONS

Avaya, Scopia® XT Executive 240 (55411-00001), <<https://support.avaya.com/products/P1455/scopia-xt-executive-240>>.

Primary Examiner — Ramzi S Almatrahi

(74) *Attorney, Agent, or Firm* — Saidman DesignLaw Group, LLC

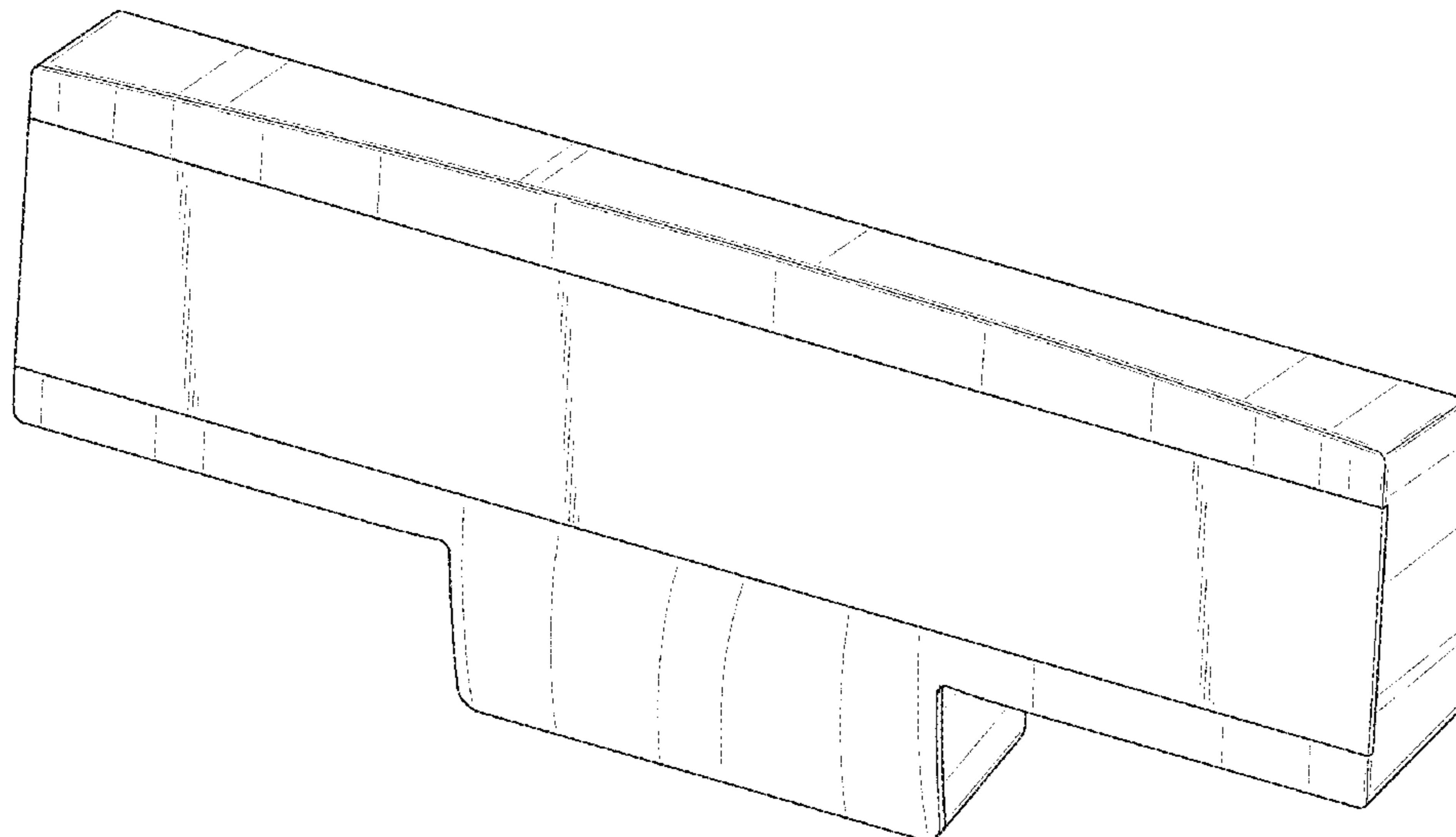
(57) **CLAIM**

The ornamental design for a camera system, as shown and described.

DESCRIPTION

FIG. 1 is a perspective view of a camera system showing our new design;
FIG. 2 is a front view thereof;
FIG. 3 is a rear view thereof;
FIG. 4 is a left side view thereof;
FIG. 5 is a right side view thereof;
FIG. 6 is a top view thereof; and,
FIG. 7 is a bottom view thereof.
The broken lines illustrate portions of the camera system which form no part of the claimed design.
The drawings include surface shading which illustrates contour and not surface ornamentation.

1 Claim, 5 Drawing Sheets



(56)

References Cited

U.S. PATENT DOCUMENTS

D709,117 S *	7/2014	Gan	D16/202
D728,658 S *	5/2015	Mita	D16/219
D744,573 S *	12/2015	Matsumiya	D16/218
D745,586 S	12/2015	Chou et al.	
D800,201 S *	10/2017	Song	D16/202
D849,086 S *	5/2019	Russo	D16/202
D872,792 S *	1/2020	Fletcher	D16/219
2005/0231587 A1	10/2005	Root et al.	

* cited by examiner

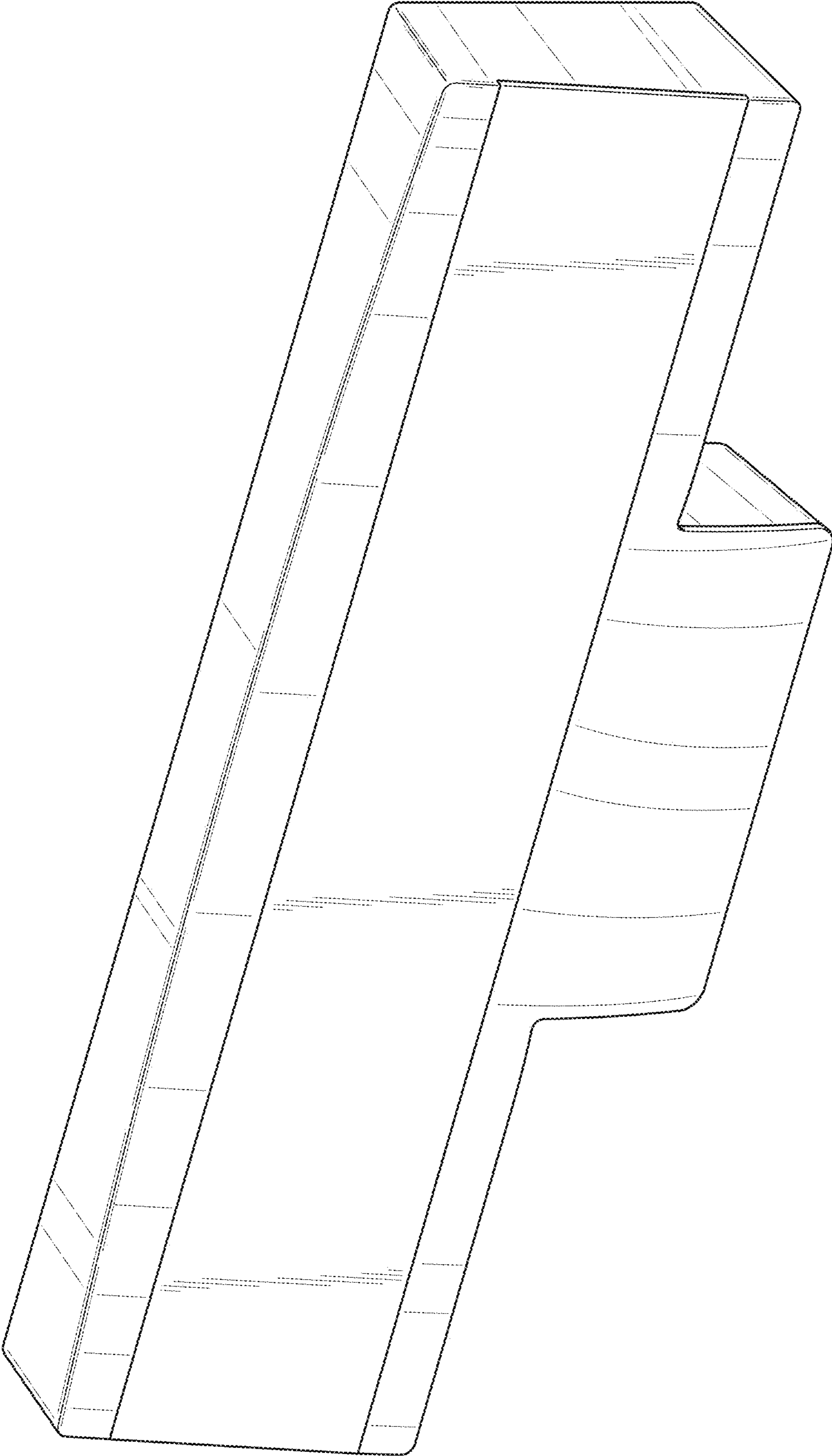


Fig. 1

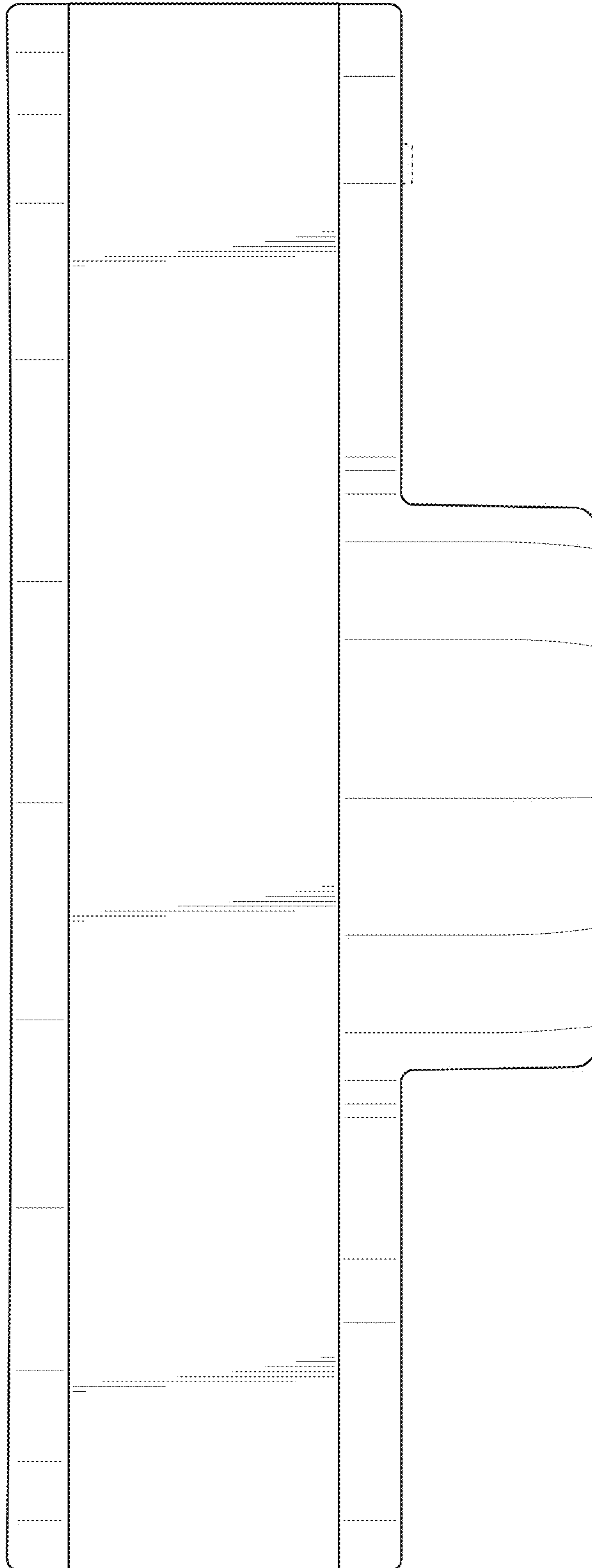


Fig. 2

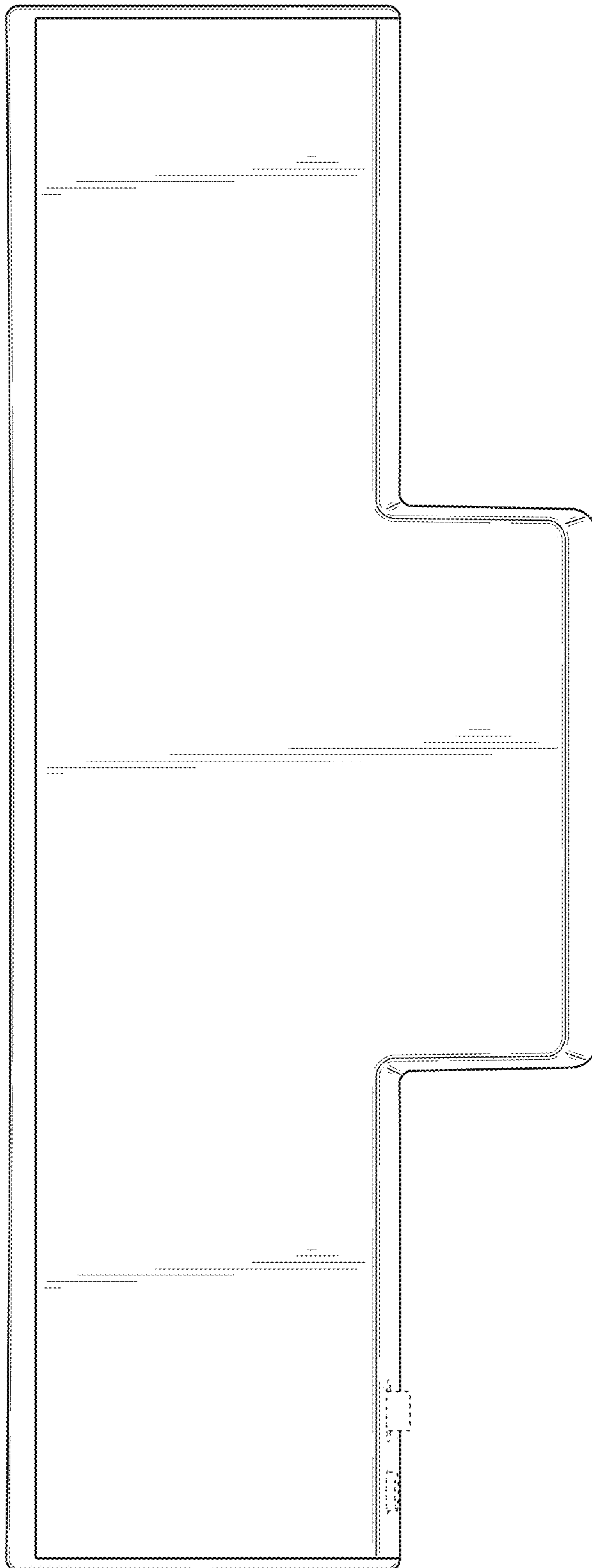


Fig. 3

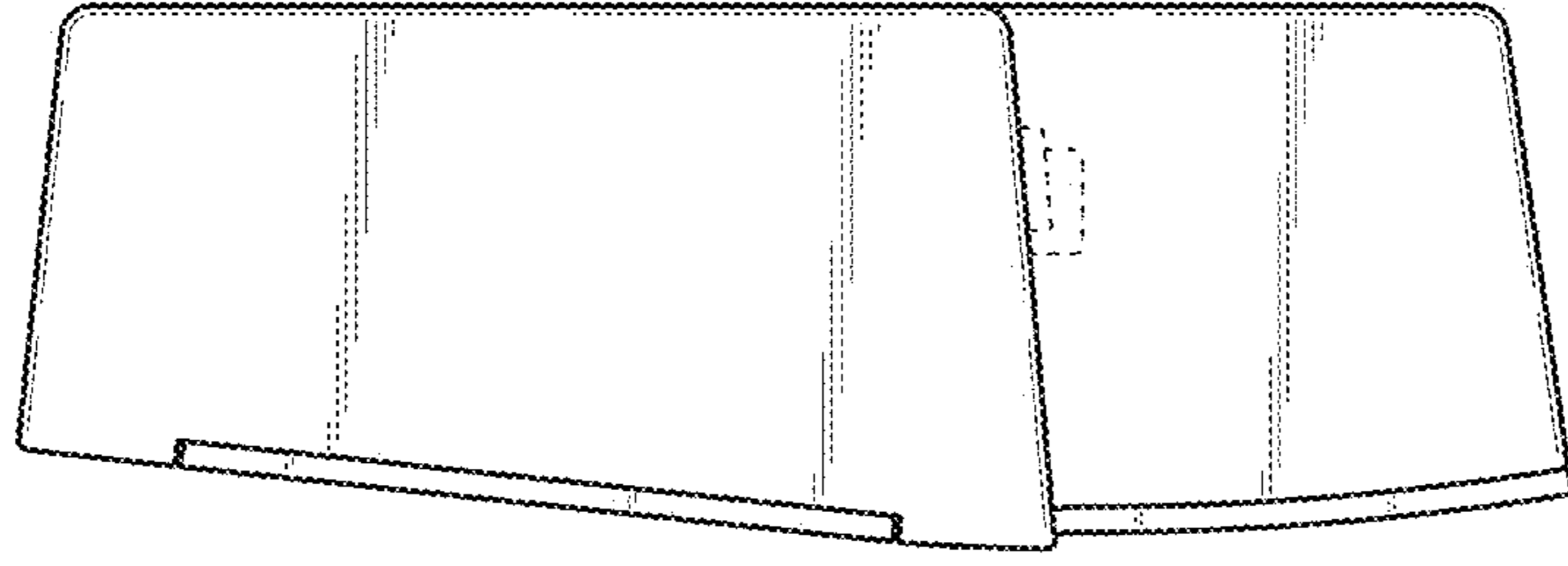


Fig. 5

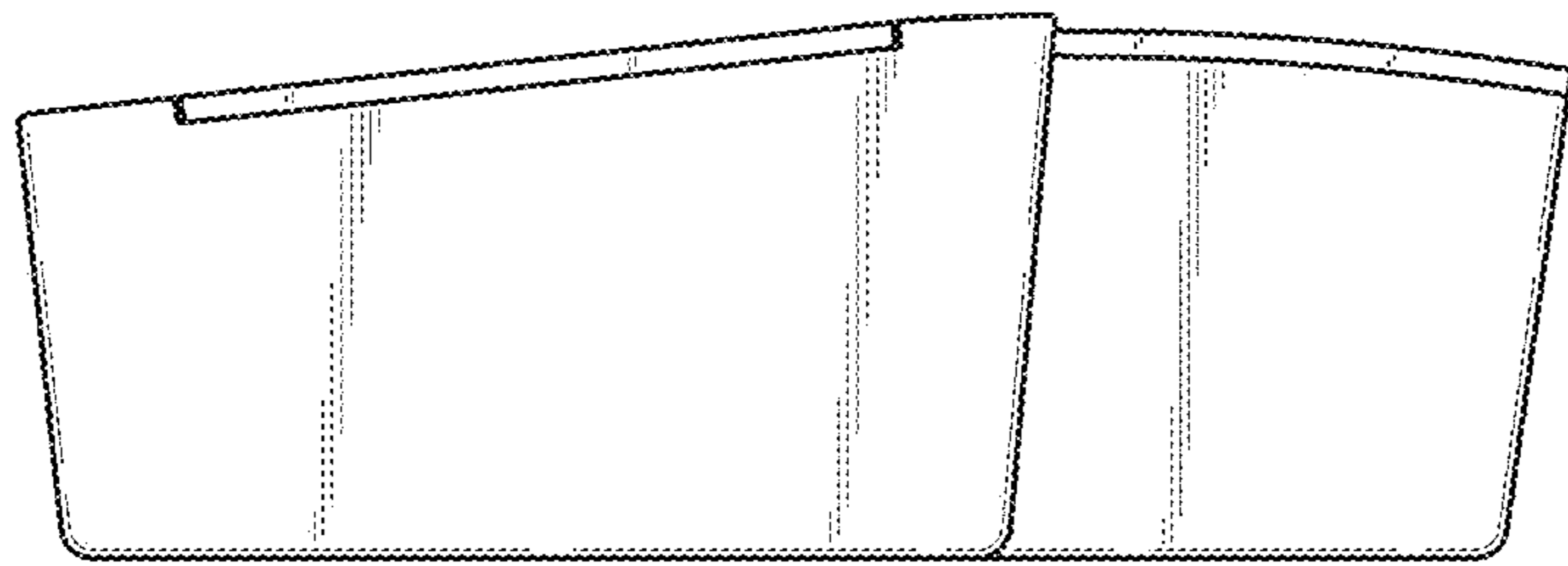


Fig. 4

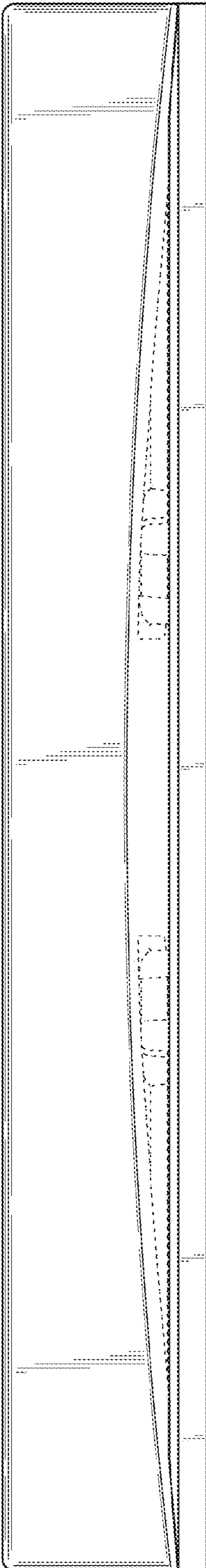


Fig. 6

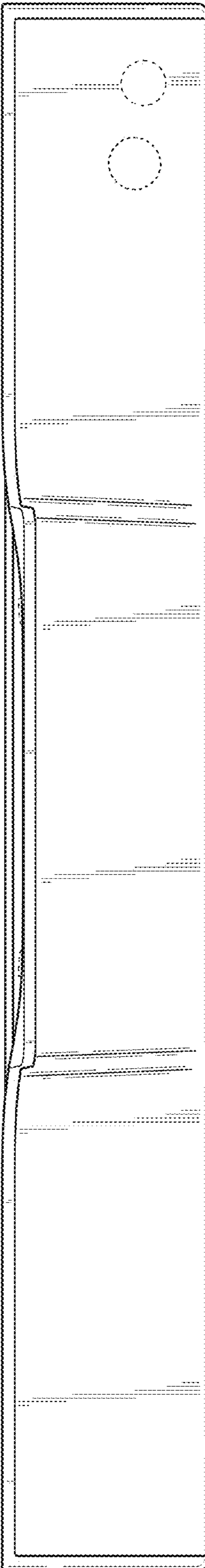


Fig. 7