

US00D902970S

(12) **United States Design Patent** (10) **Patent No.:** **US D902,970 S**
McCormick (45) **Date of Patent:** **** Nov. 24, 2020**

(54) **DRAIN PAN FOR VEHICLE FLUIDS**

(71) Applicant: **HOPKINS MANUFACTURING CORPORATION**, Emporia, KS (US)

(72) Inventor: **David D. McCormick**, Kansas City, MO (US)

(73) Assignee: **Hopkins Manufacturing Corporation**, Emporia, KS (US)

(**) Term: **15 Years**

(21) Appl. No.: **29/704,691**

(22) Filed: **Sep. 6, 2019**

(51) **LOC (12) Cl.** **09-09**

(52) **U.S. Cl.**
USPC **D15/150**

(58) **Field of Classification Search**
USPC D12/110, 114, 126; D15/1-3, 5, 6, 17, D15/140, 149, 150-152, 199; D23/205; D24/123

CPC F16N 31/00; F16N 31/002
See application file for complete search history.

(56) **References Cited**

U.S. PATENT DOCUMENTS

D248,637 S * 7/1978 Bishop D15/152
D343,401 S * 1/1994 Pollak D15/150
D615,193 S * 5/2010 Utz D24/123
D623,198 S * 9/2010 Lai D15/5
D637,636 S * 5/2011 Liao D15/150

D661,328 S * 6/2012 Liao D15/152
D670,377 S * 11/2012 Adams D24/123
D683,777 S * 6/2013 Forbis D15/150
D685,830 S * 7/2013 Lai D15/150
8,776,757 B2 * 7/2014 Goerend F01M 11/04
123/195 C
D810,285 S * 2/2018 Adams D24/123
D839,330 S * 1/2019 Bennett D15/150
D855,672 S * 8/2019 Bennett D15/150

* cited by examiner

Primary Examiner — Michael C Stout

Assistant Examiner — Fitzgerald L Butac

(74) *Attorney, Agent, or Firm* — Hovey Williams LLP

(57) **CLAIM**

The ornamental design for a drain pan for vehicle fluids, as shown and described.

DESCRIPTION

FIG. 1 is a top front perspective view of a drain pan for vehicle fluids.

FIG. 2 is a top rear perspective view thereof;

FIG. 3 is a bottom front perspective view thereof;

FIG. 4 is a bottom rear perspective view thereof;

FIG. 5 is a top plan view thereof;

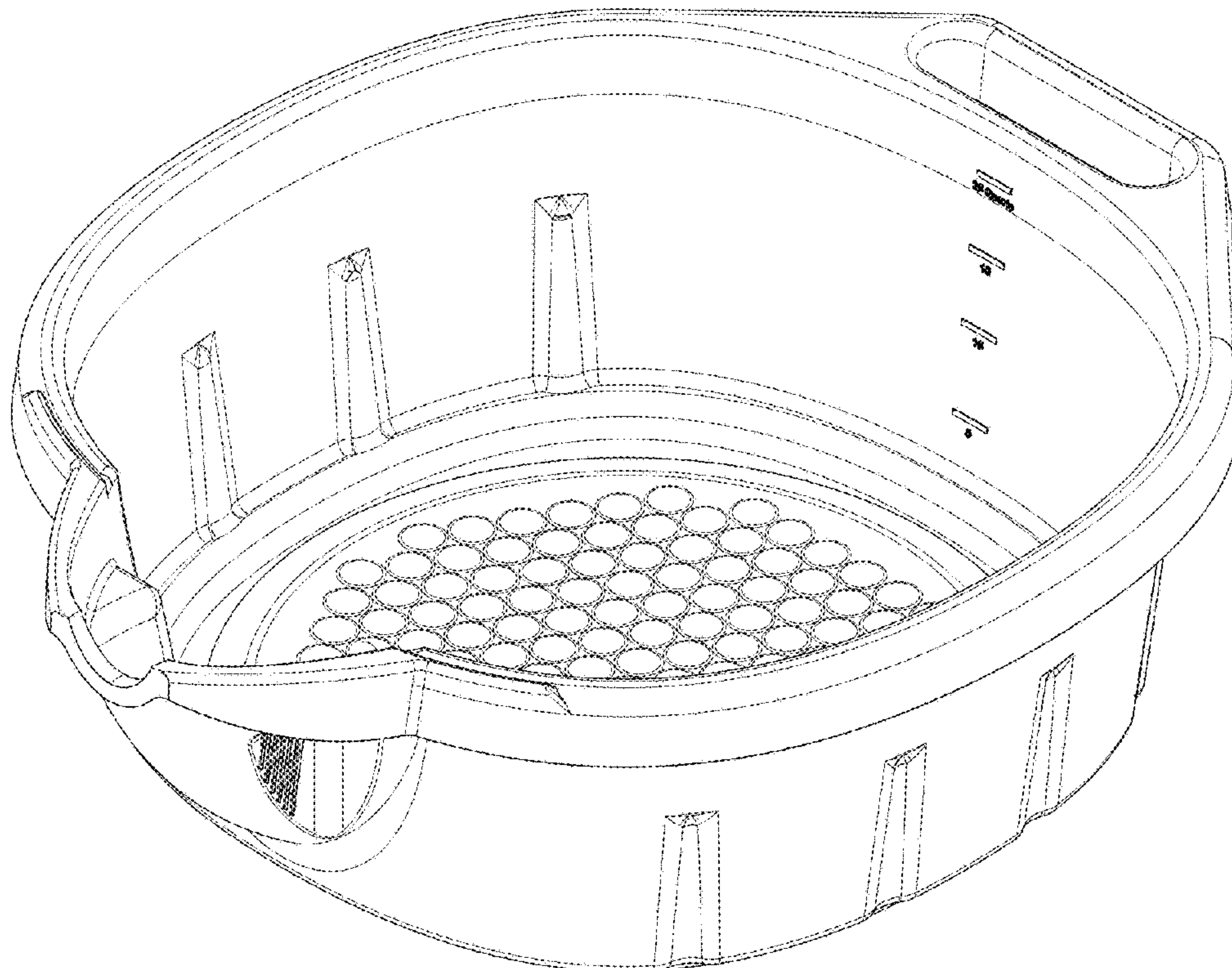
FIG. 6 is a front elevation view thereof;

FIG. 7 is a right side elevation view, with the opposite side being a mirror image thereof;

FIG. 8 is a rear elevation view thereof; and,

FIG. 9 is a bottom plan view thereof.

1 Claim, 9 Drawing Sheets



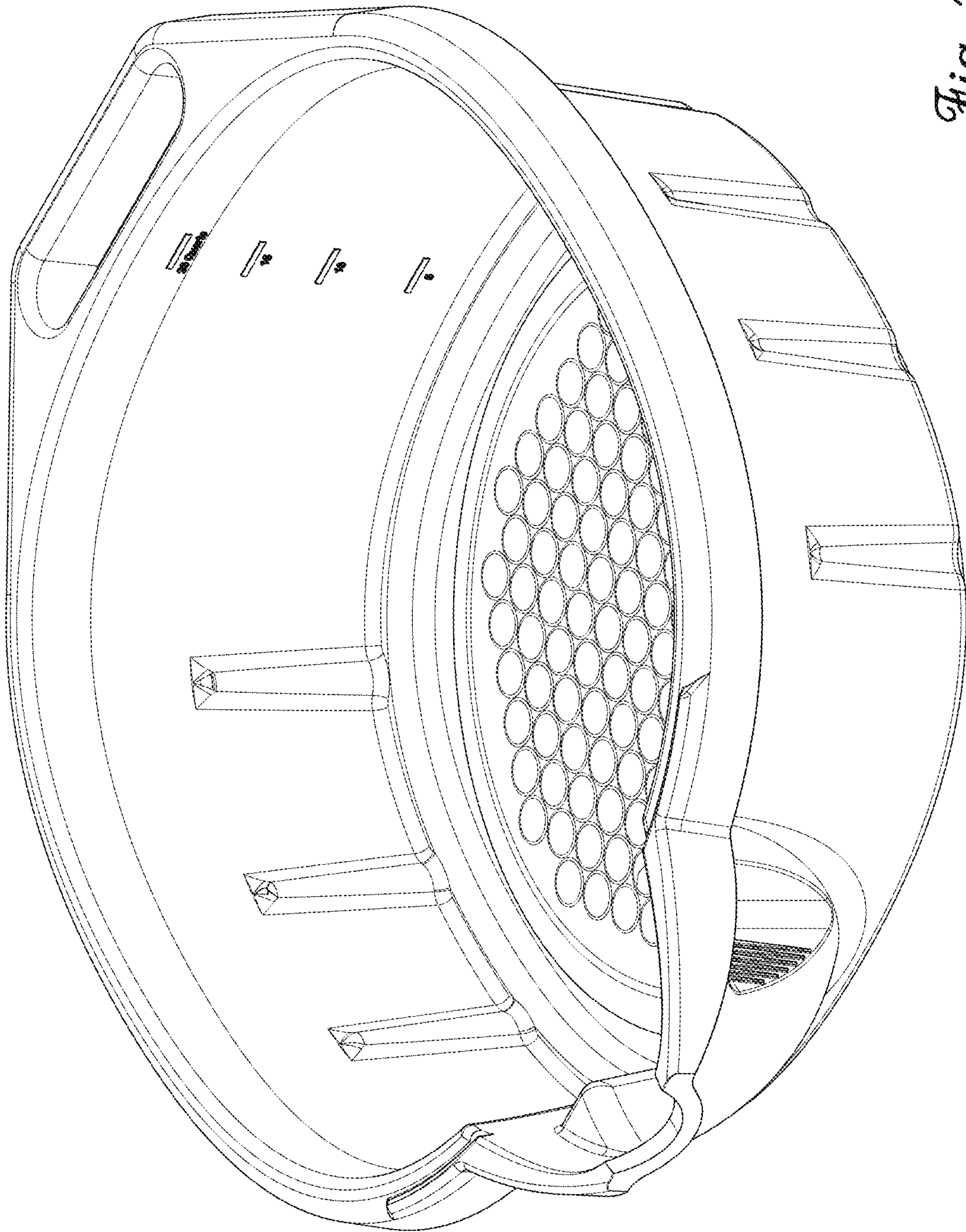


Fig. 1.

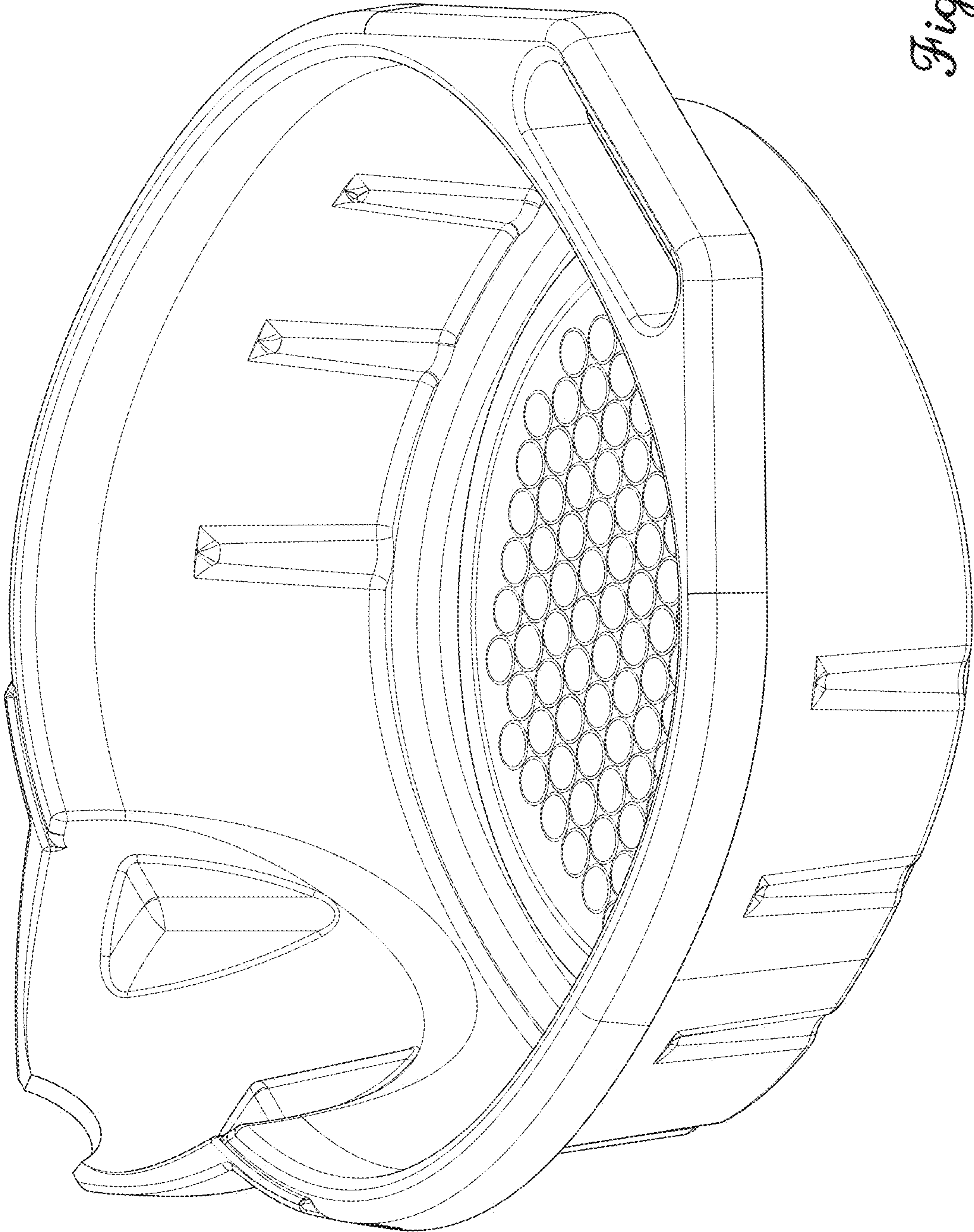


Fig. 2.

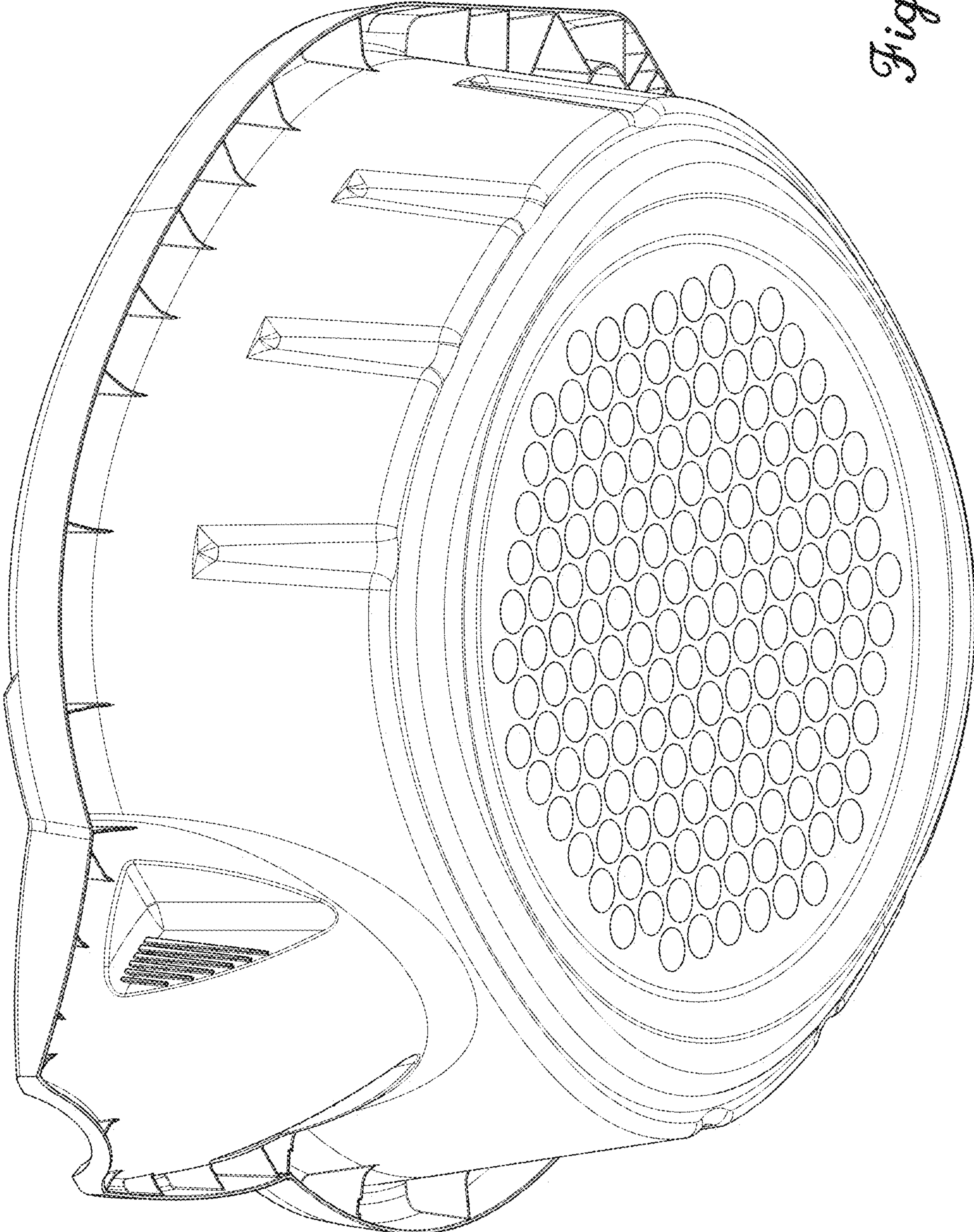
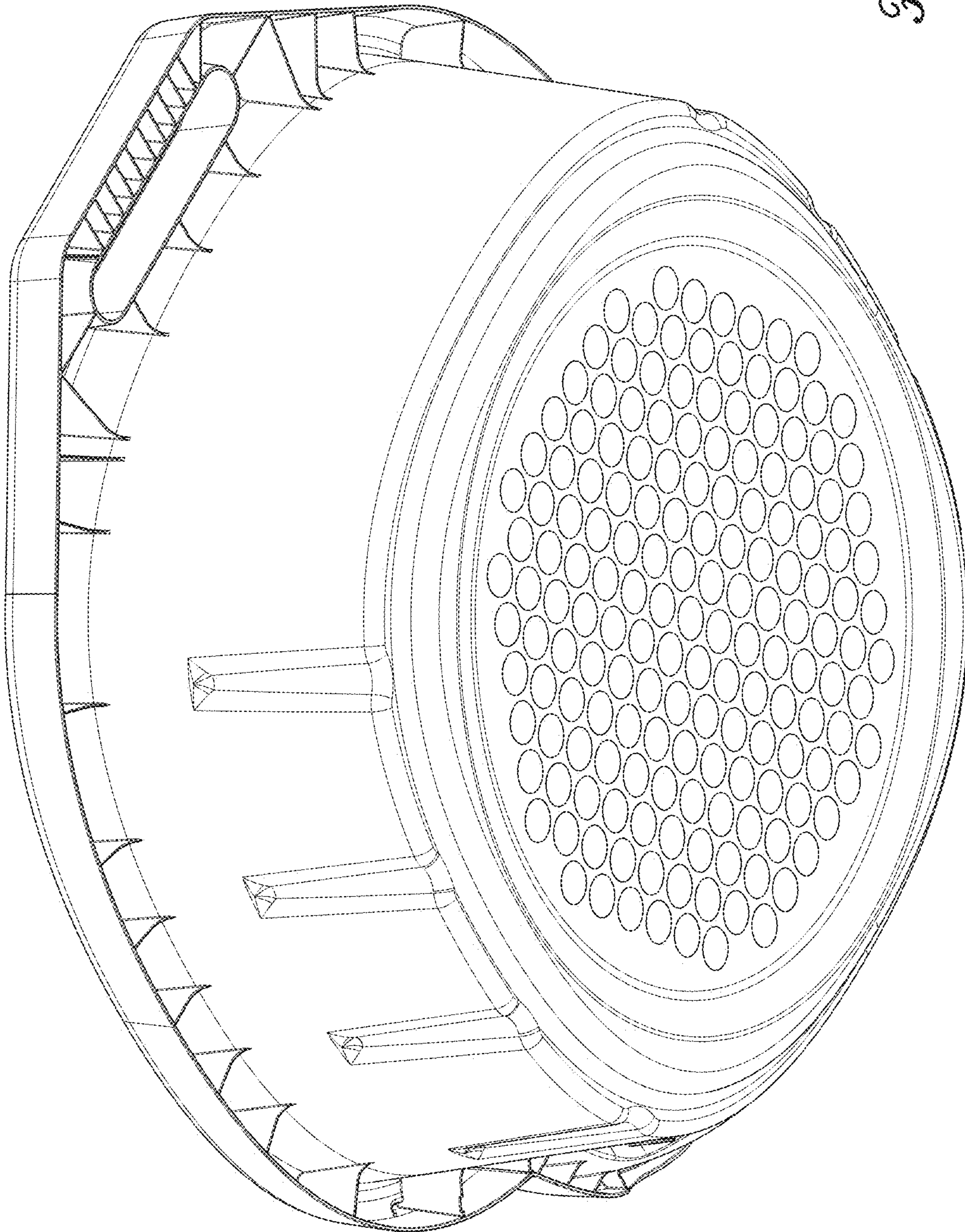


Fig. 3.

Fig. 4.



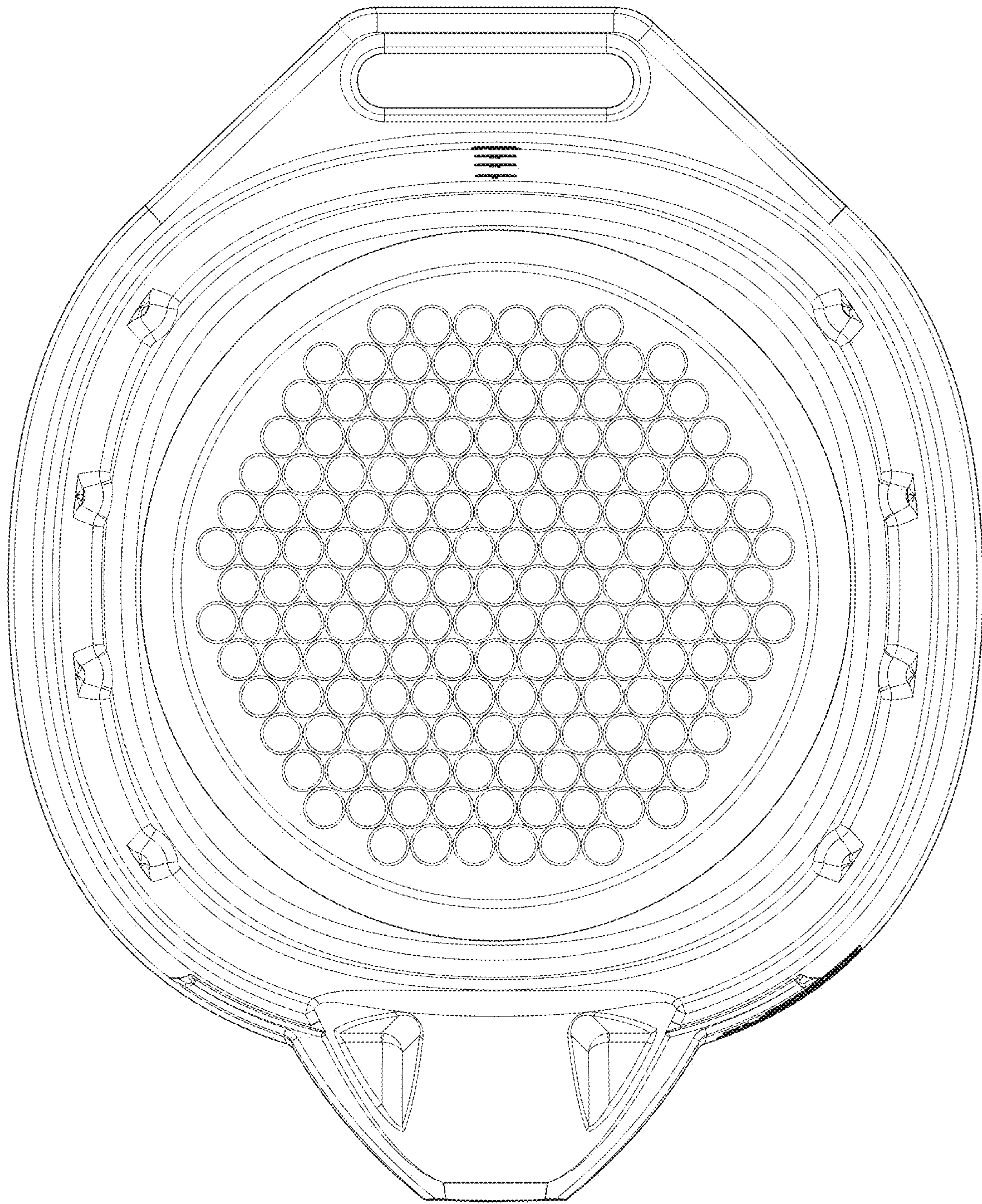


Fig. 5.

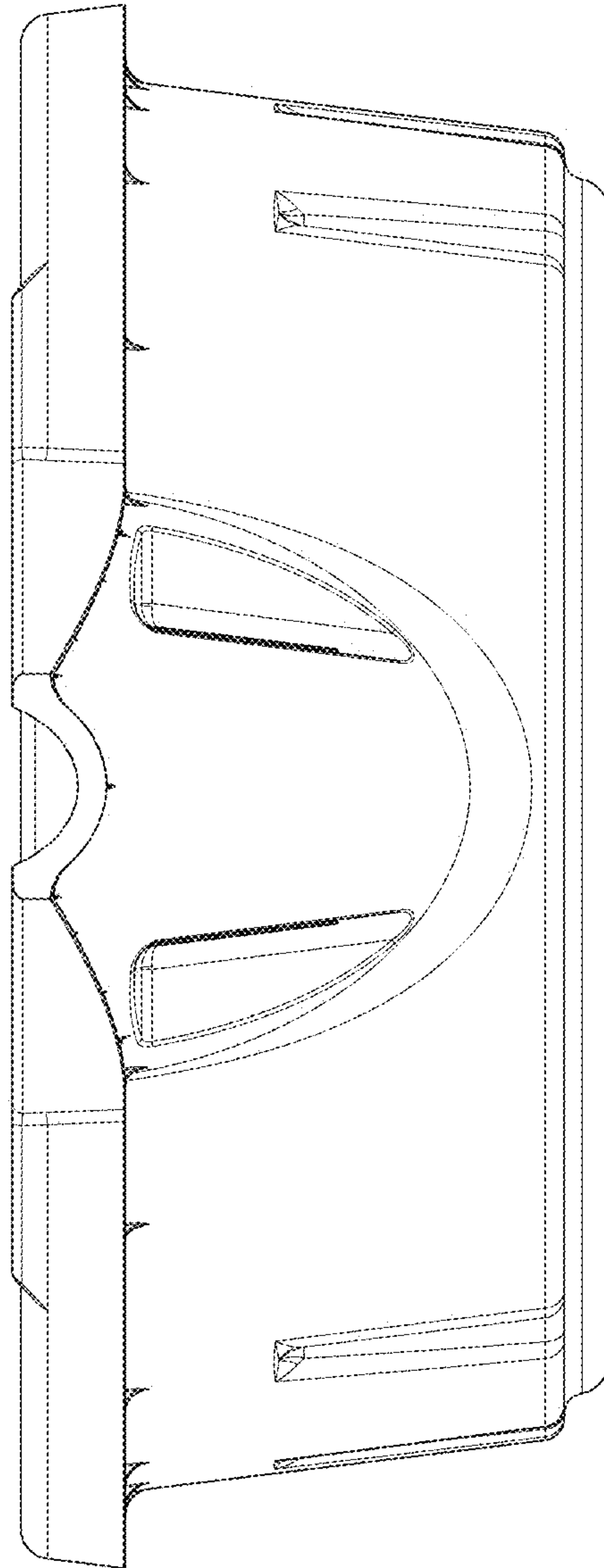


Fig. 6.

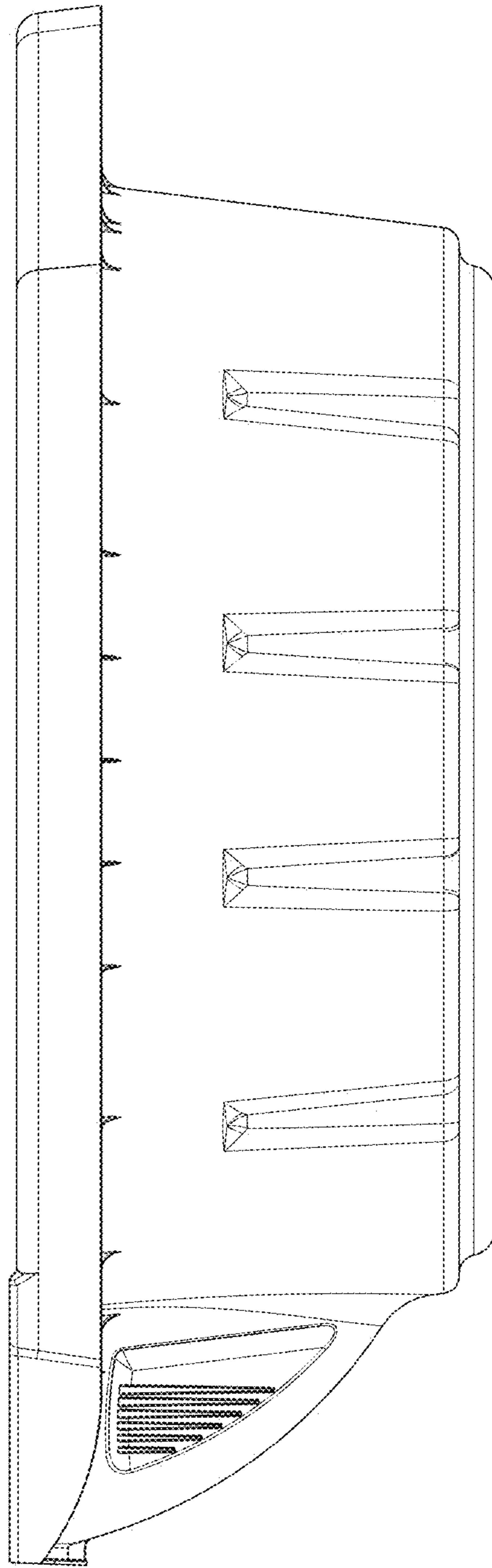


Fig. 7.

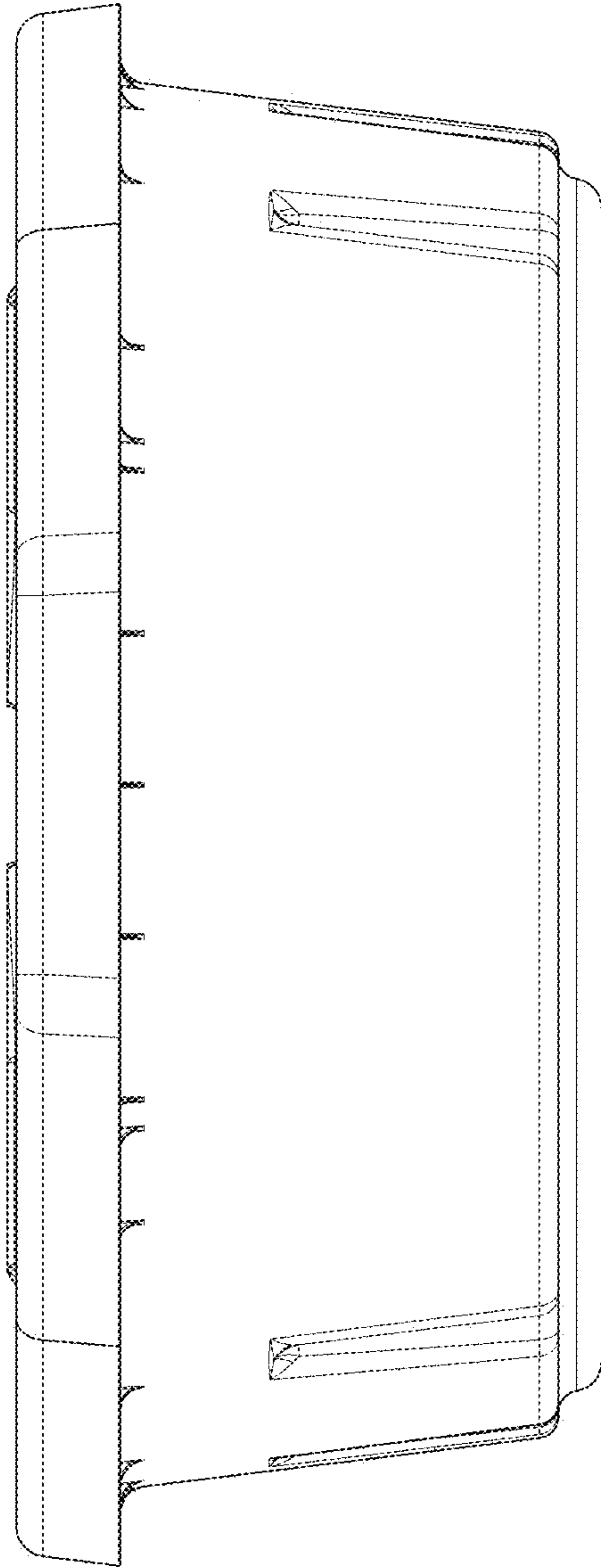


Fig. 8.

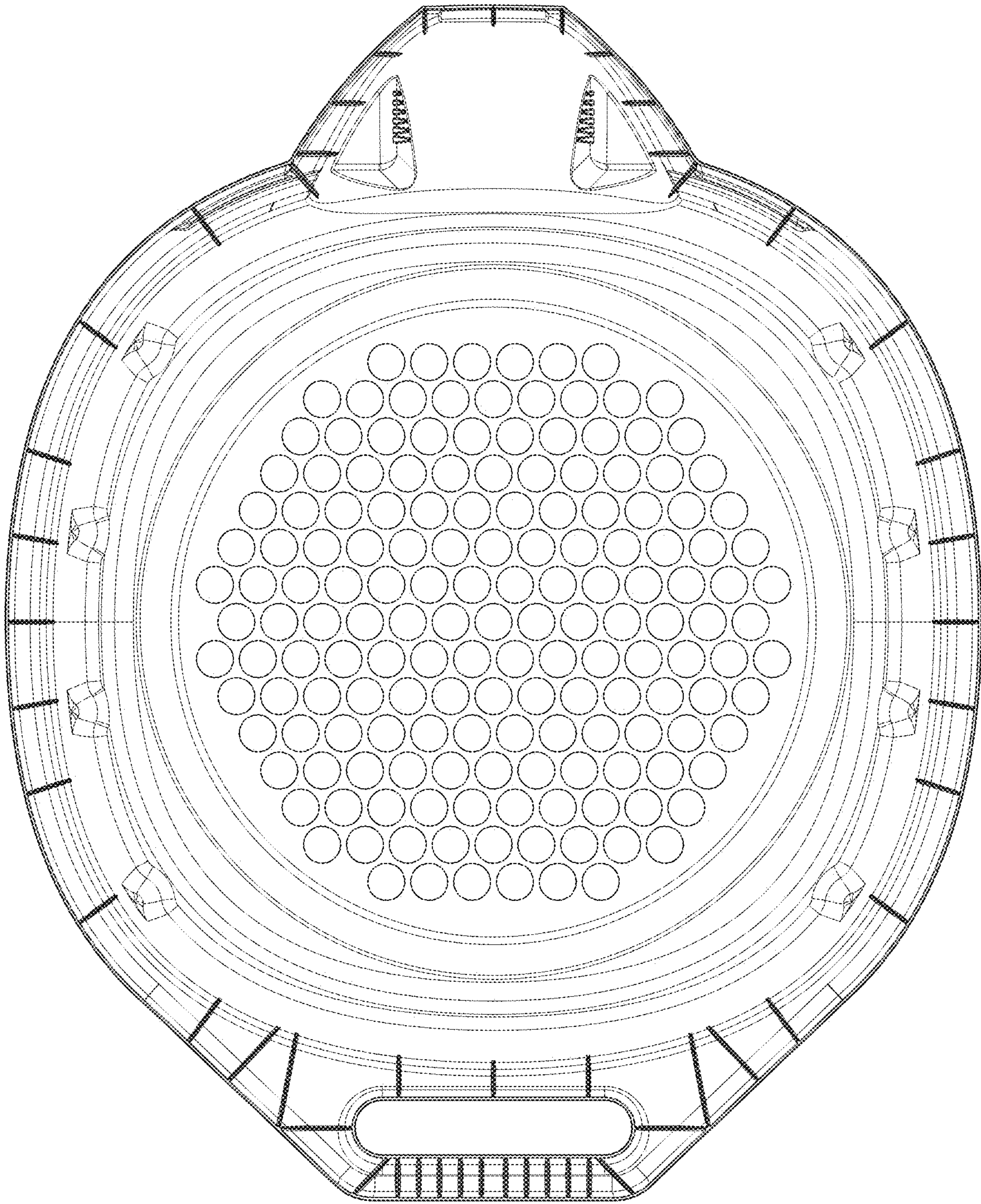


Fig. 9.