



US00D902969S

(12) **United States Design Patent**
Mellor

(10) **Patent No.:** **US D902,969 S**

(45) **Date of Patent:** **** Nov. 24, 2020**

(54) **HYDRAULIC MANIFOLD FOR SEMI-LEVERED GEAR ACTUATOR**

(71) Applicant: **The Boeing Company**, Chicago, IL (US)

(72) Inventor: **Mitchell L. R. Mellor**, Bothell, WA (US)

(73) Assignee: **THE BOEING COMPANY**, Chicago, IL (US)

(**) Term: **15 Years**

(21) Appl. No.: **29/689,251**

(22) Filed: **Apr. 29, 2019**

(51) **LOC (12) Cl.** **15-09**

(52) **U.S. Cl.**
USPC **D15/149**

(58) **Field of Classification Search**
USPC D15/5, 138, 148, 149; D23/245
CPC B64C 25/22; B64C 25/34; B64C 25/60;
F15B 15/16
See application file for complete search history.

(56) **References Cited**

U.S. PATENT DOCUMENTS

- 4,194,719 A * 3/1980 Ewald F15B 13/0433
137/625.64
- 4,357,955 A * 11/1982 Sauer F15B 13/02
137/270
- 4,941,508 A * 7/1990 Hennessy F16K 11/0708
137/625.69
- 5,372,060 A * 12/1994 Maruyama F15B 13/02
137/596.15
- D406,320 S * 3/1999 Lynch D23/245
- 5,913,333 A * 6/1999 Biener F15B 13/0435
137/596.2
- 6,505,645 B1 * 1/2003 Pack F15B 13/0402
137/596.13
- D520,520 S * 5/2006 Nimberger D15/5

- D542,307 S * 5/2007 Stephenson D15/5
- D557,281 S * 12/2007 Miller D15/5
- D681,784 S * 5/2013 Liljegren D23/262
- D745,112 S * 12/2015 Stevens D23/233
- 2004/0099316 A1 * 5/2004 Koetter F15B 13/0417
137/596.13
- 2005/0211320 A1 * 9/2005 Greenwood F15B 13/086
137/884
- 2011/0088236 A1 * 4/2011 Fathauer B23P 15/001
29/402.08

* cited by examiner

Primary Examiner — Patricia A Palasik

(74) *Attorney, Agent, or Firm* — Parsons Behle & Latimer

(57) **CLAIM**

The ornamental design for a hydraulic manifold for semi-levered gear actuator, as shown and described.

DESCRIPTION

FIG. 1 is a perspective view showing the top, front, and right sides of a hydraulic manifold for semi-levered gear actuator showing the new design;

FIG. 2 is a front side elevation view thereof;

FIG. 3 is a rear side elevation view thereof;

FIG. 4 is a left side elevation view thereof;

FIG. 5 is a right side elevation view thereof;

FIG. 6 is a top side elevation view thereof;

FIG. 7 is a bottom side elevation view thereof;

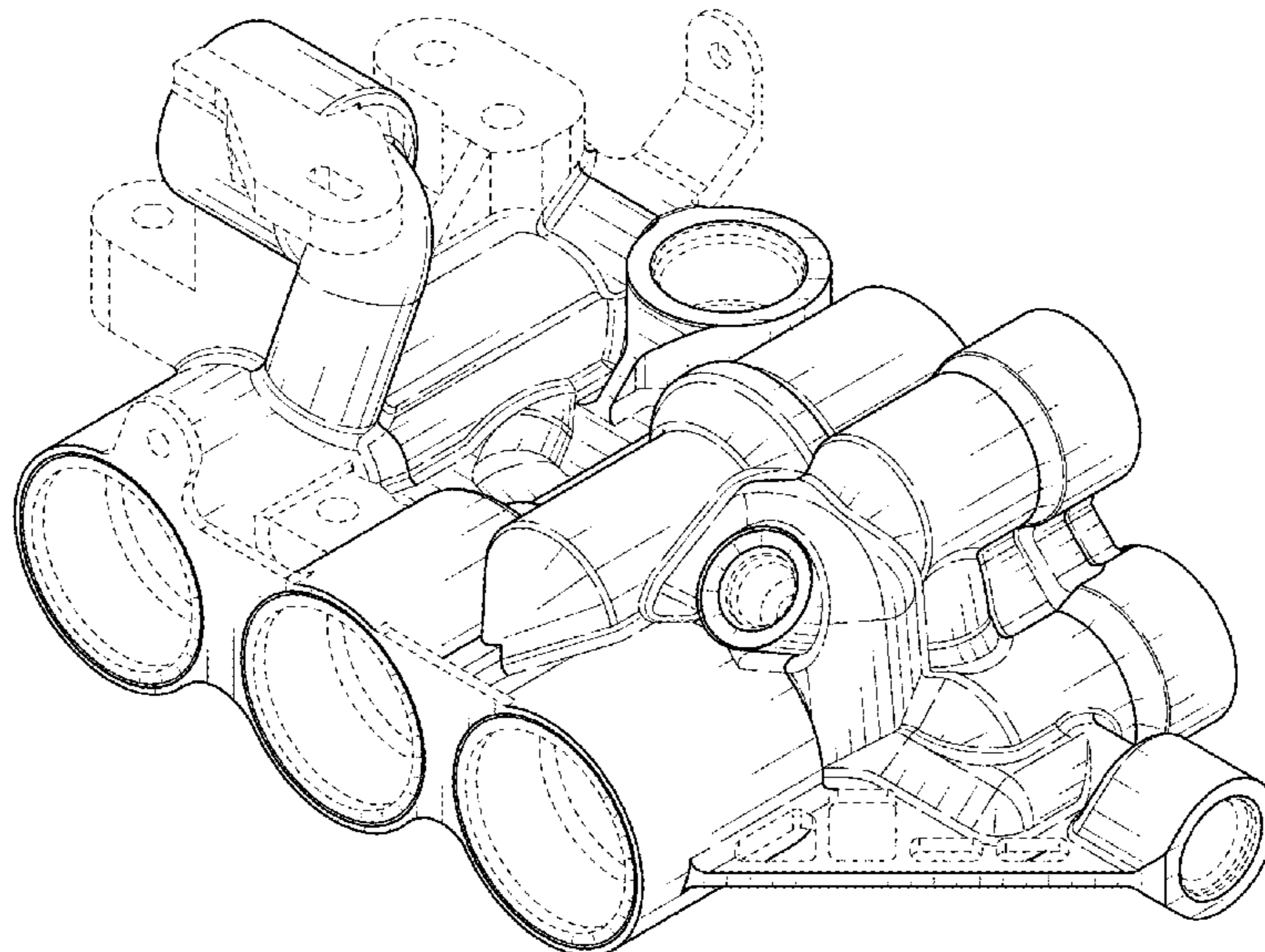
FIG. 8 is a perspective view showing the bottom, front, and right sides thereof;

FIG. 9 is a perspective view showing the top, rear, and left sides thereof; and,

FIG. 10 is a perspective view showing the bottom, rear, and left sides thereof.

The evenly spaced broken lines depict portions of the manifold and environmental subject matter that forms no part of the claim.

1 Claim, 7 Drawing Sheets



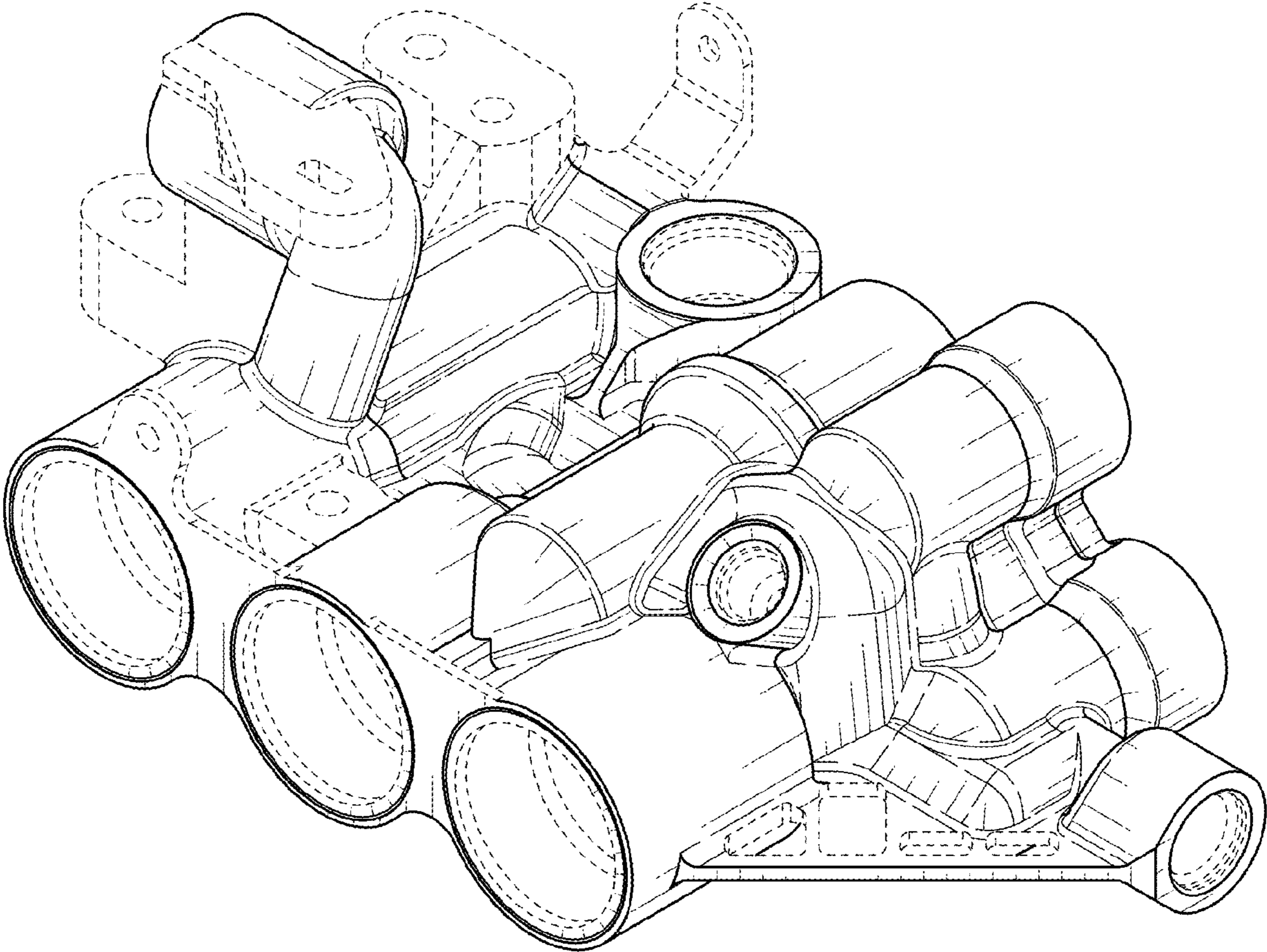


FIG. 1

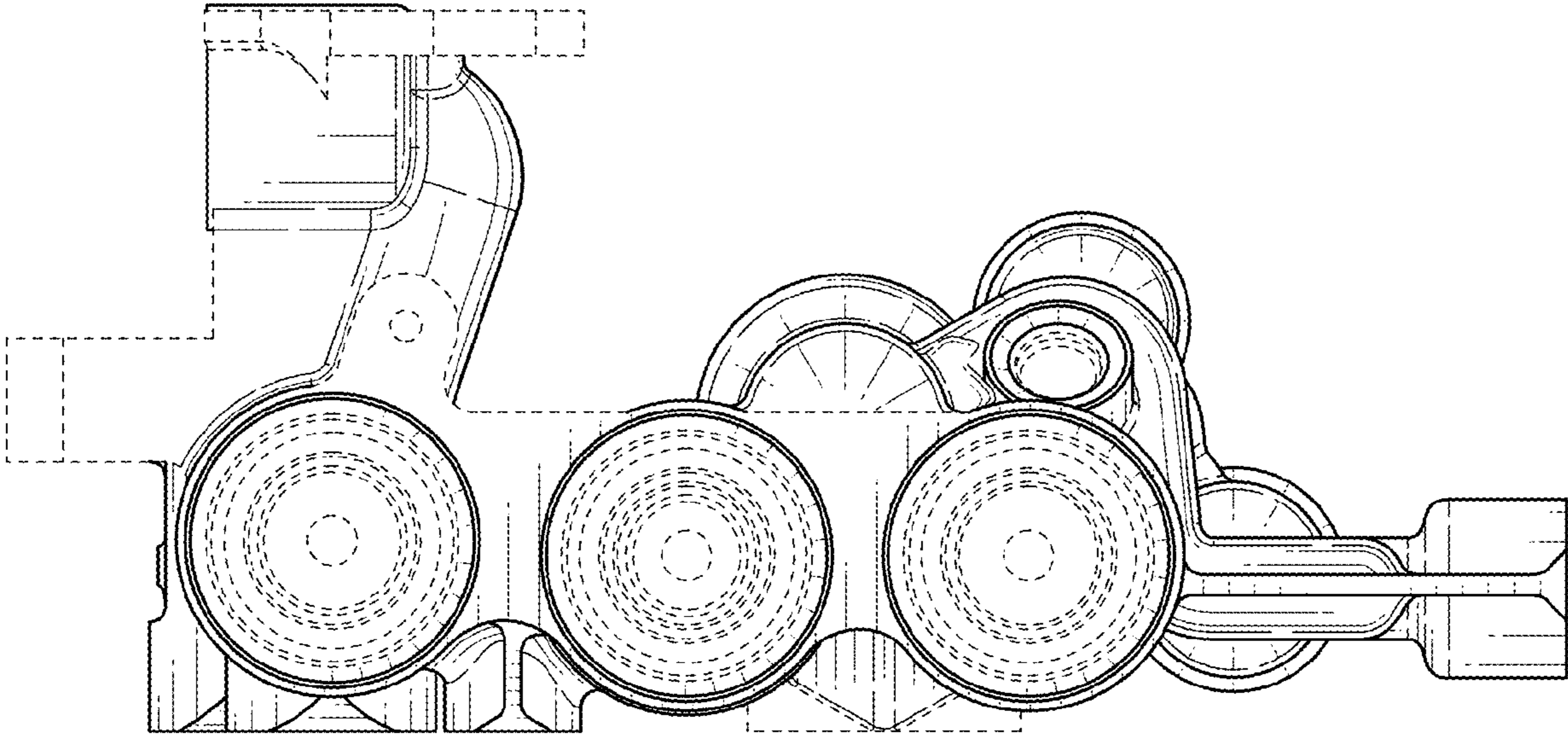


FIG. 2

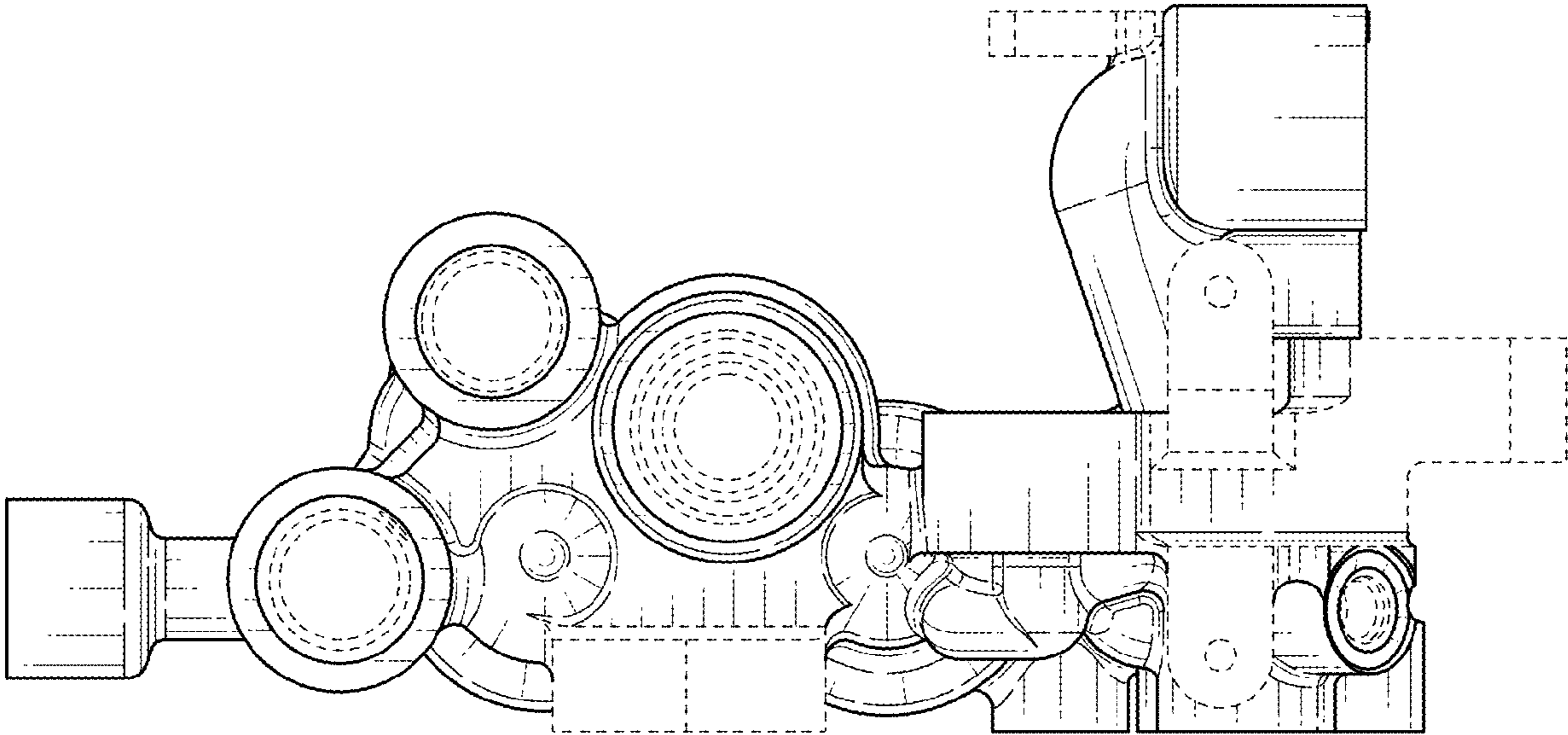


FIG. 3

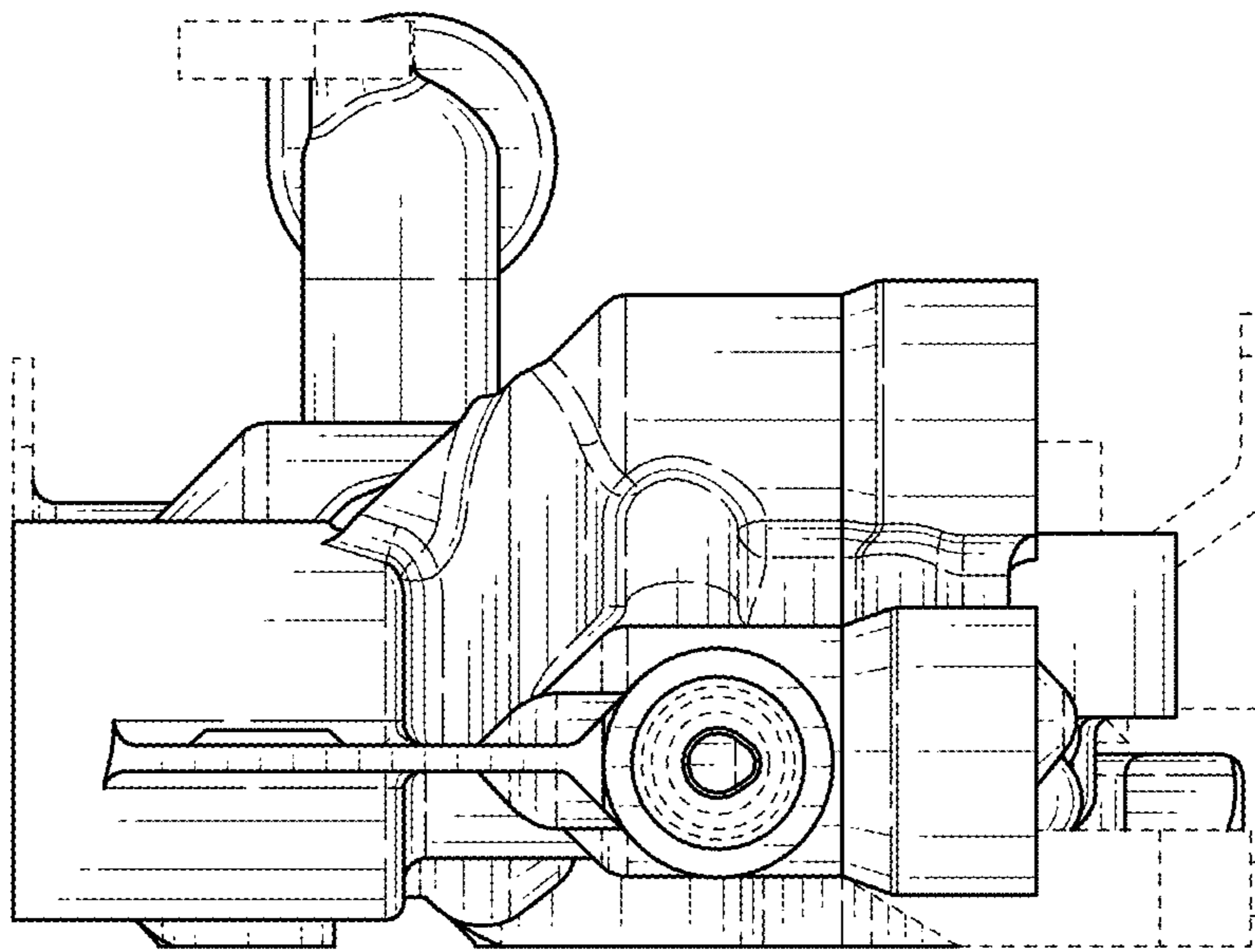


FIG. 5

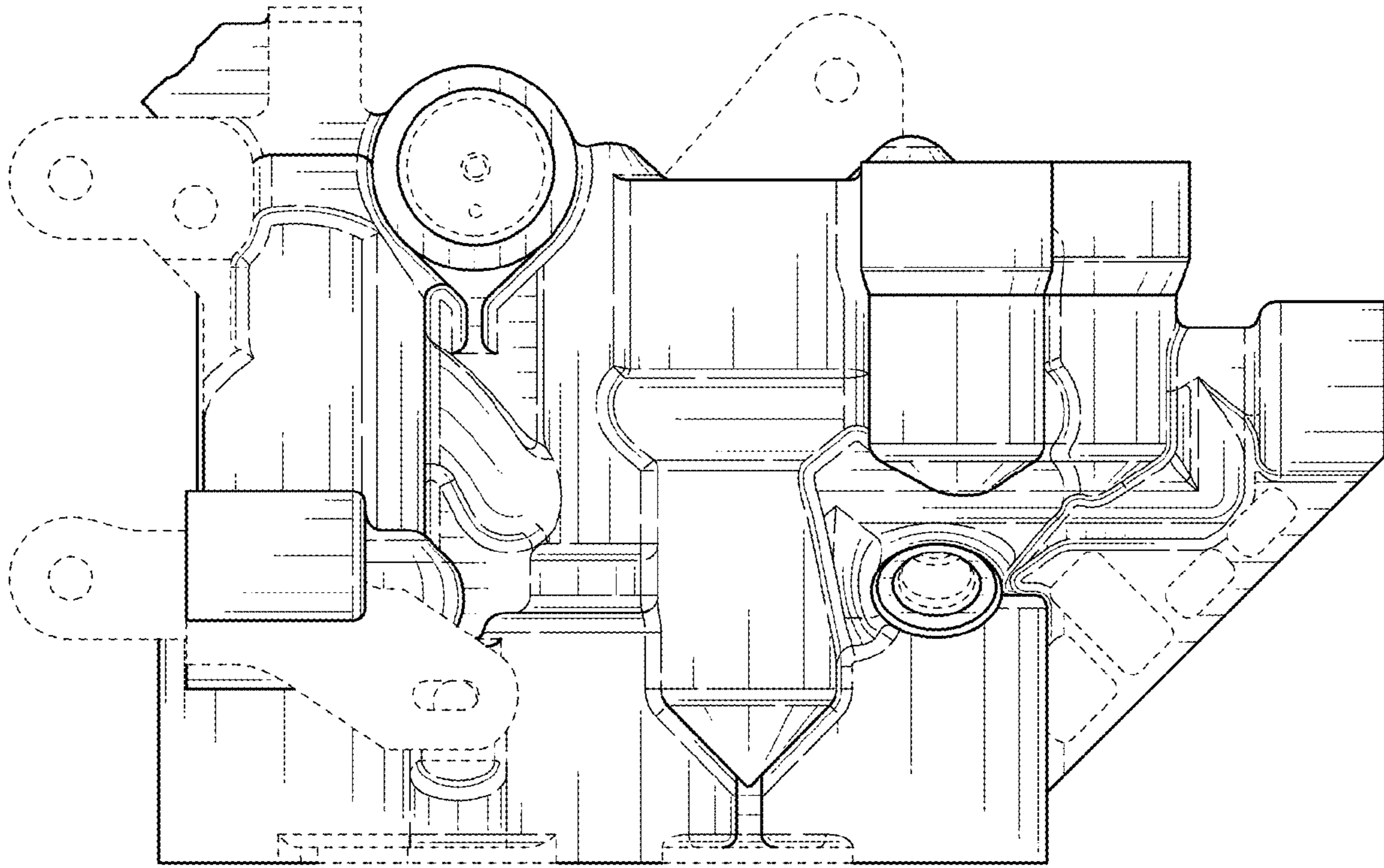


FIG. 6

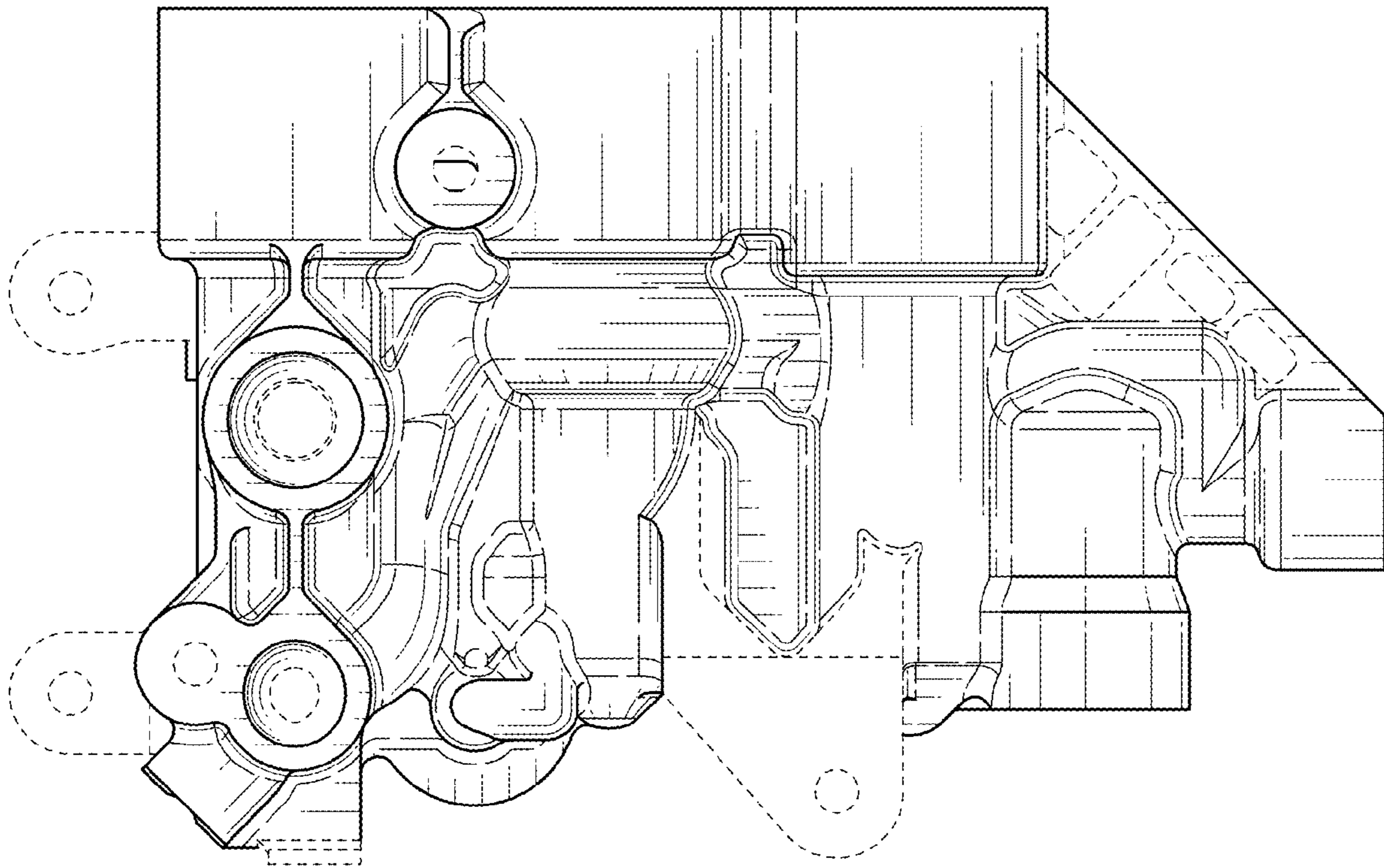


FIG. 7

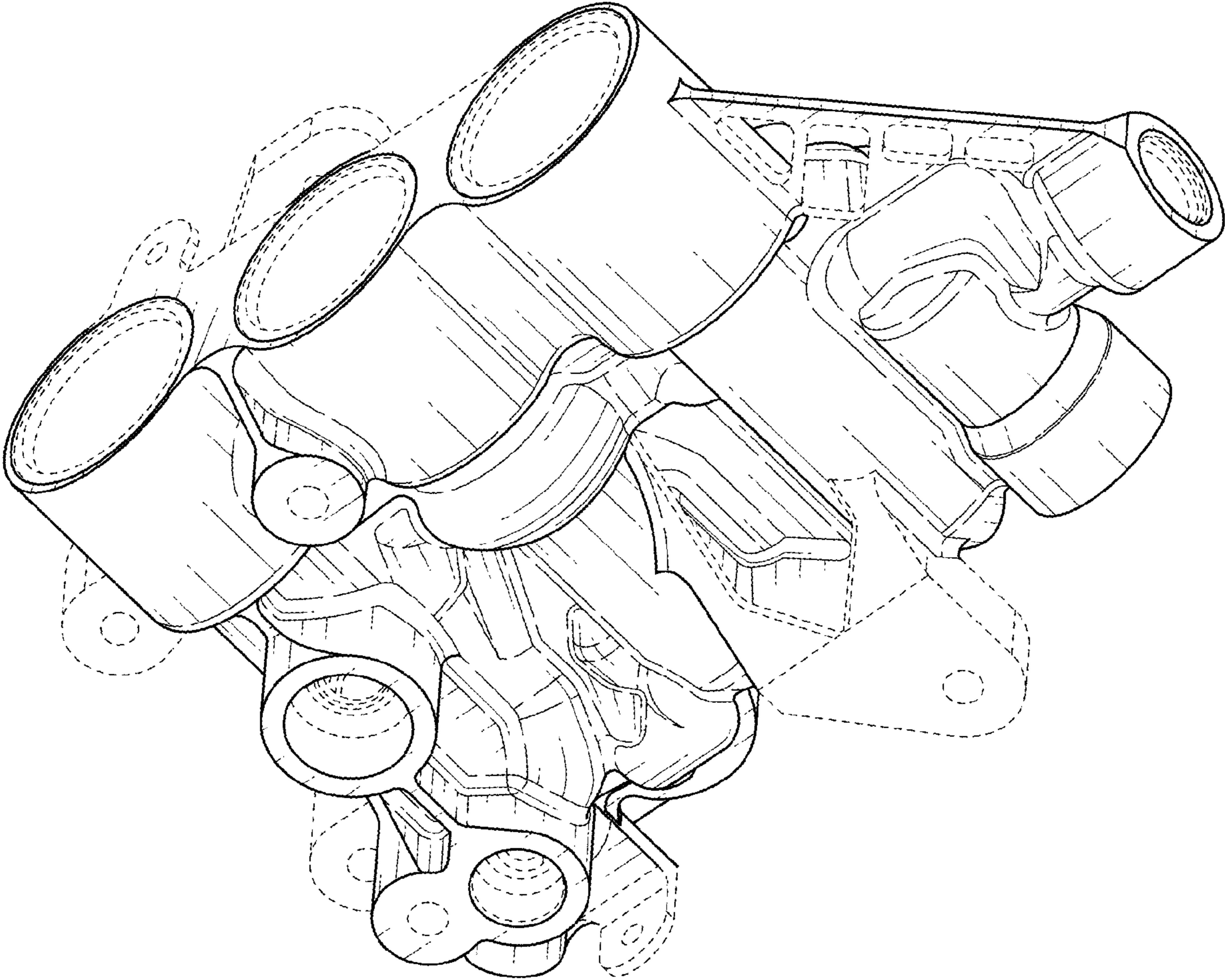


FIG. 8

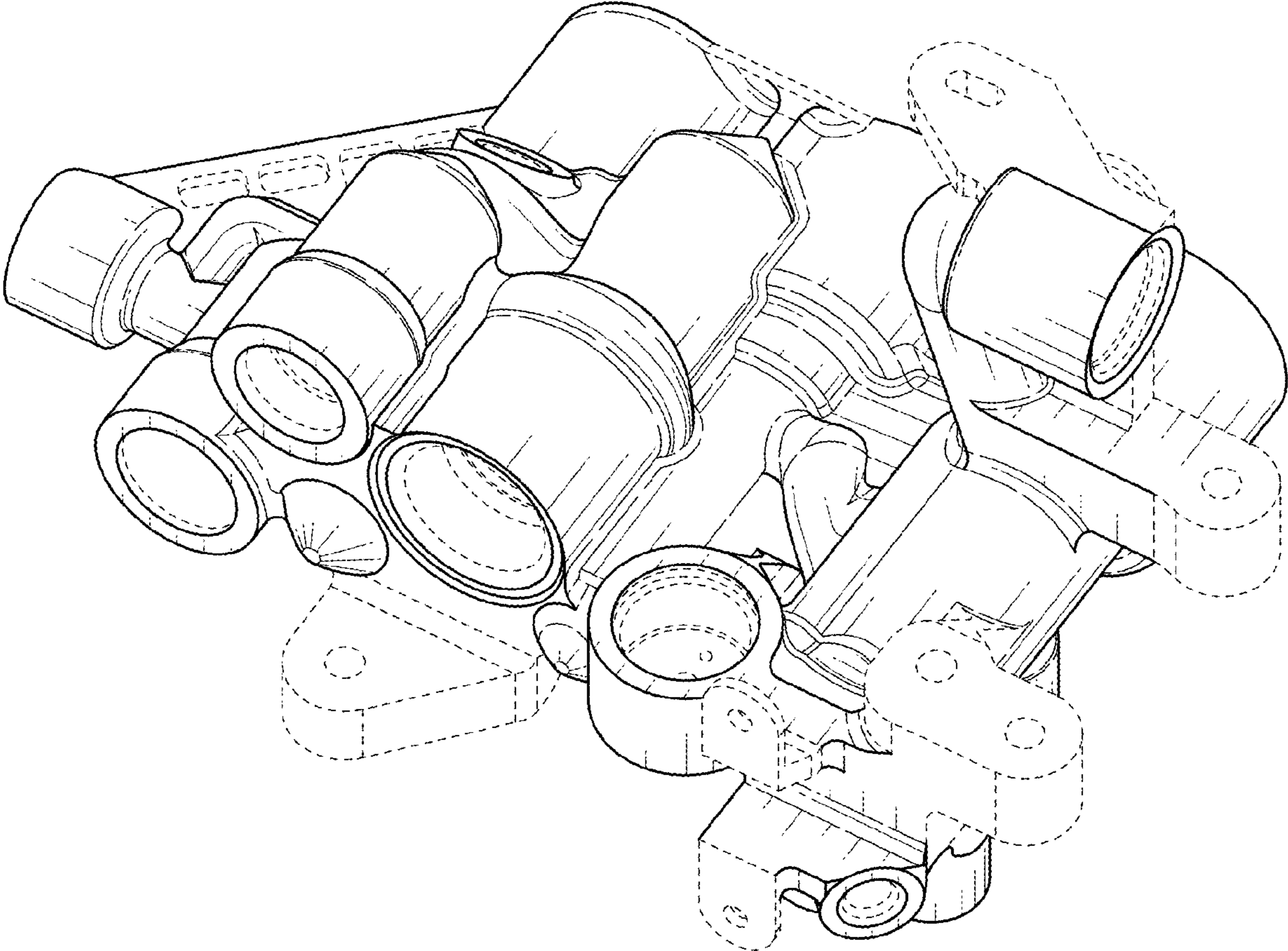


FIG. 9

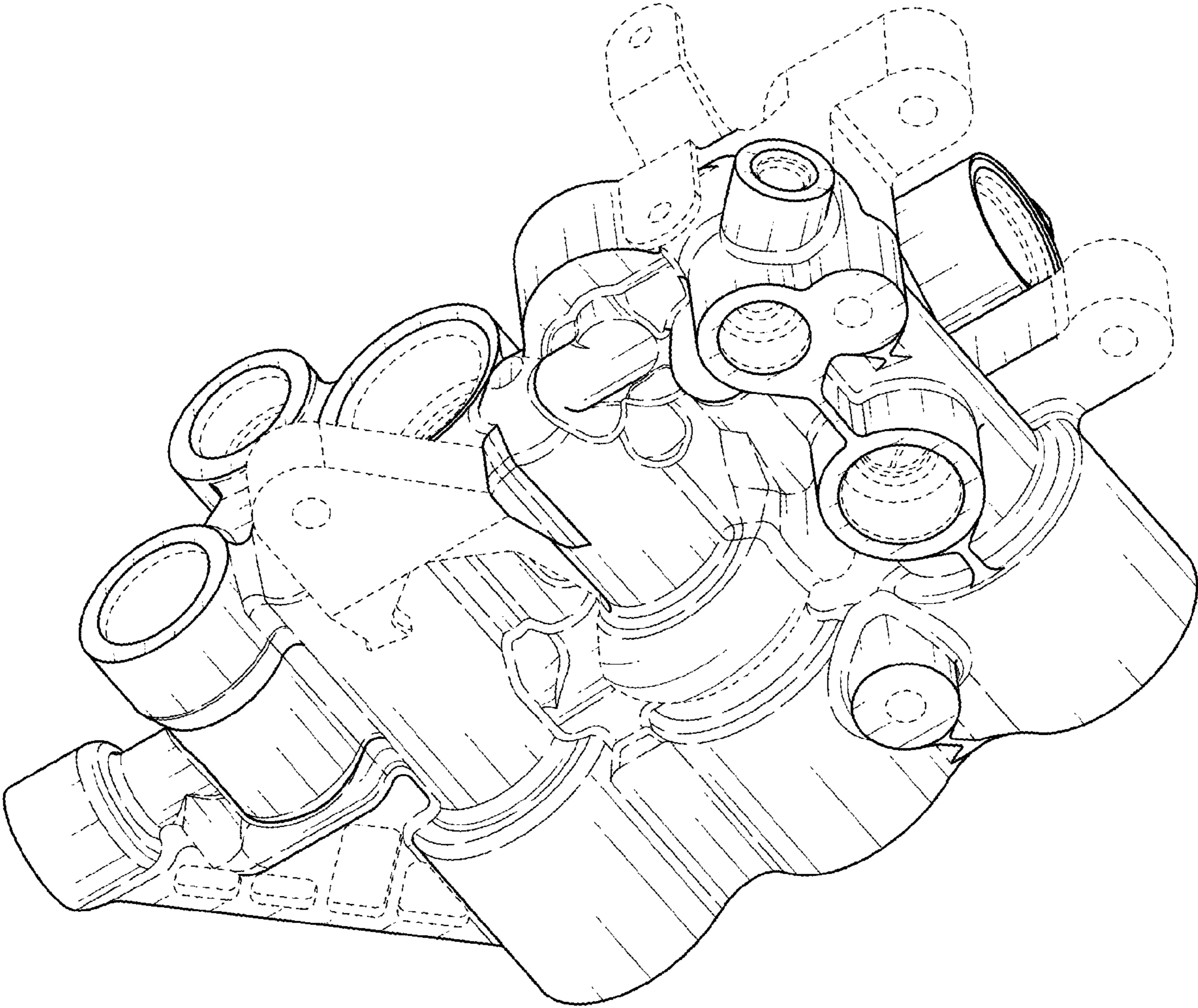


FIG. 10