



US00D902967S

(12) **United States Design Patent**
Caliendo

(10) **Patent No.:** **US D902,967 S**

(45) **Date of Patent:** **** Nov. 24, 2020**

(54) **ROUND NEGATIVE RAKE WOOD TURNING BLADE**

(71) Applicant: **Christopher Lee Caliendo**, Wood Dale, IL (US)

(72) Inventor: **Christopher Lee Caliendo**, Wood Dale, IL (US)

(**) Term: **15 Years**

(21) Appl. No.: **29/691,978**

(22) Filed: **May 21, 2019**

(51) **LOC (12) Cl.** **15-09**

(52) **U.S. Cl.**
USPC **D15/139**

(58) **Field of Classification Search**

USPC D8/20, 47, 66, 92, 98, 101; D15/122, D15/127, 130, 131, 138, 139, 140
CPC B25C 5/2213; B23C 2200/086; B23C 2200/203; B23C 2200/367; E21B 10/43; E21B 10/5673; Y10T 407/22; Y10T 407/23

See application file for complete search history.

(56) **References Cited**

U.S. PATENT DOCUMENTS

3,934,319	A	1/1976	Shuler	
4,200,129	A	4/1980	Sneed	
4,345,631	A	8/1982	Lemler	
4,754,787	A	7/1988	Smith	
D363,076	S *	10/1995	Hansson	D15/139
D363,727	S *	10/1995	DeRoche	D15/139
D364,178	S *	11/1995	Hansson	D15/139
D367,866	S *	3/1996	Pantzar	D15/139
D369,362	S *	4/1996	Pantzar	D15/139
5,682,933	A	11/1997	Martel	
5,850,860	A	12/1998	Memelink	
6,253,812	B1	7/2001	Rinehart	
D575,311	S *	8/2008	Konecny	D15/138
7,455,129	B2	11/2008	Widmann	

7,490,640	B2	2/2009	Hege	
D638,451	S *	5/2011	Wong	D15/138
D654,937	S *	2/2012	Fader	D15/138
D656,166	S *	3/2012	Michelet	D15/139
D656,973	S *	4/2012	Michelet	D15/139
8,708,007	B2	4/2014	Jackson	
8,740,608	B2	6/2014	Tanaka et al.	
8,800,613	B2	8/2014	Batty	
8,904,585	B2	12/2014	Cridlebaugh	
9,079,327	B2	7/2015	Proctor	

(Continued)

OTHER PUBLICATIONS

Negative Rake Carbide Cutters, posted on youtube.com, posted Dec. 21, 2018. No production date given, [online], [site visited Jun. 19, 2020], Available on internet, URL: <https://www.youtube.com/watch?v=uBPErDNmUQY> (Year: 2018).*

(Continued)

Primary Examiner — Michael C Stout

Assistant Examiner — Fritzgerald L Butac

(74) *Attorney, Agent, or Firm* — Lawrence E. Thompson; The Thompson Law Office, P.C.

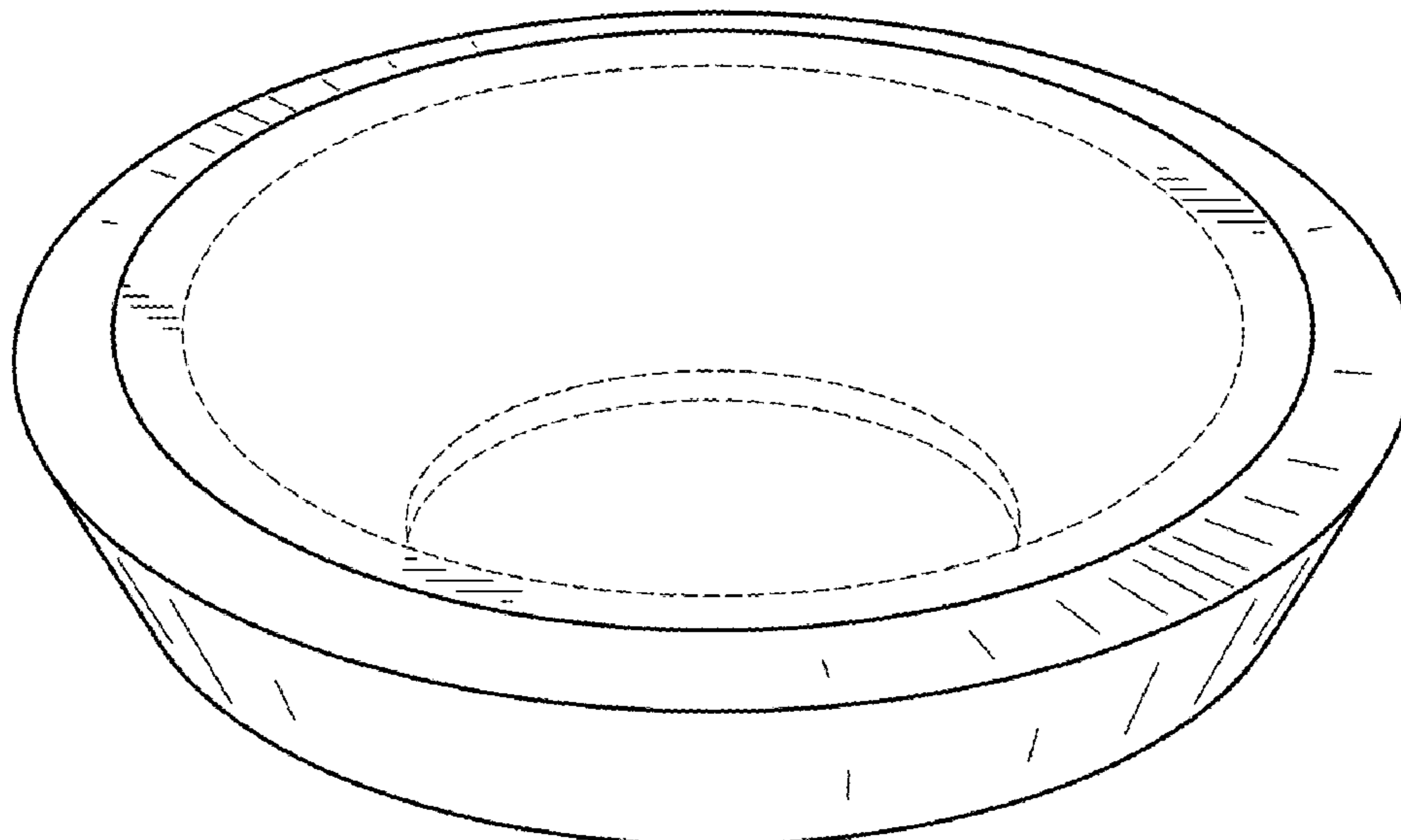
(57) **CLAIM**

The ornamental design for a round negative rake wood turning blade, as shown and described.

DESCRIPTION

FIG. 1 is a perspective view of a round negative rake wood turning blade, in accordance with my new design; FIG. 2 is a front side view thereof, with the rear, left and right side views being mirror images thereof; FIG. 3 is a top plan view thereof; and, FIG. 4 is a bottom plan view thereof. The broken lines show portions of a round negative rake wood turning blade which forms no part of the claimed design.

1 Claim, 2 Drawing Sheets



(56)

References Cited

U.S. PATENT DOCUMENTS

9,095,918 B2 8/2015 Barry et al.
9,095,967 B2 8/2015 Derivaz
D744,557 S * 12/2015 Koike D15/139
RE46,197 E * 11/2016 Takahashi D15/139
9,603,606 B2 3/2017 Hecke et al.
9,884,379 B1 2/2018 Budda
D828,414 S * 9/2018 Takahashi D15/139
D838,755 S * 1/2019 Takahashi D15/139
D852,245 S * 6/2019 Kobayashi D15/139
D854,063 S * 7/2019 Abe D15/139
D865,823 S * 11/2019 Abe D15/139
D872,784 S * 1/2020 Inagaki D15/139
D884,040 S * 5/2020 Endoh D15/139

OTHER PUBLICATIONS

Youtube—<https://www.youtube.com/watch?v=RbARgwVxMK8>—
Negative Rake scraper: woodturning.
Youtube—<https://www.youtube.com/watch?v=tdXxkr1hEPE>—
Wood Turning—Beginners Guide # 8—The Negative Rake Scraper.
Youtube—<https://www.youtube.com/watch?v=gHMfBmAZRkk>—
The Negative Rake Scraper.
Cindy Drozda, Negative Rake Scrapers.
woodturning.org, Negative Rake Scrapers Instruction Manual.
Robert Sorby, Negative Rake Scraper.

* cited by examiner

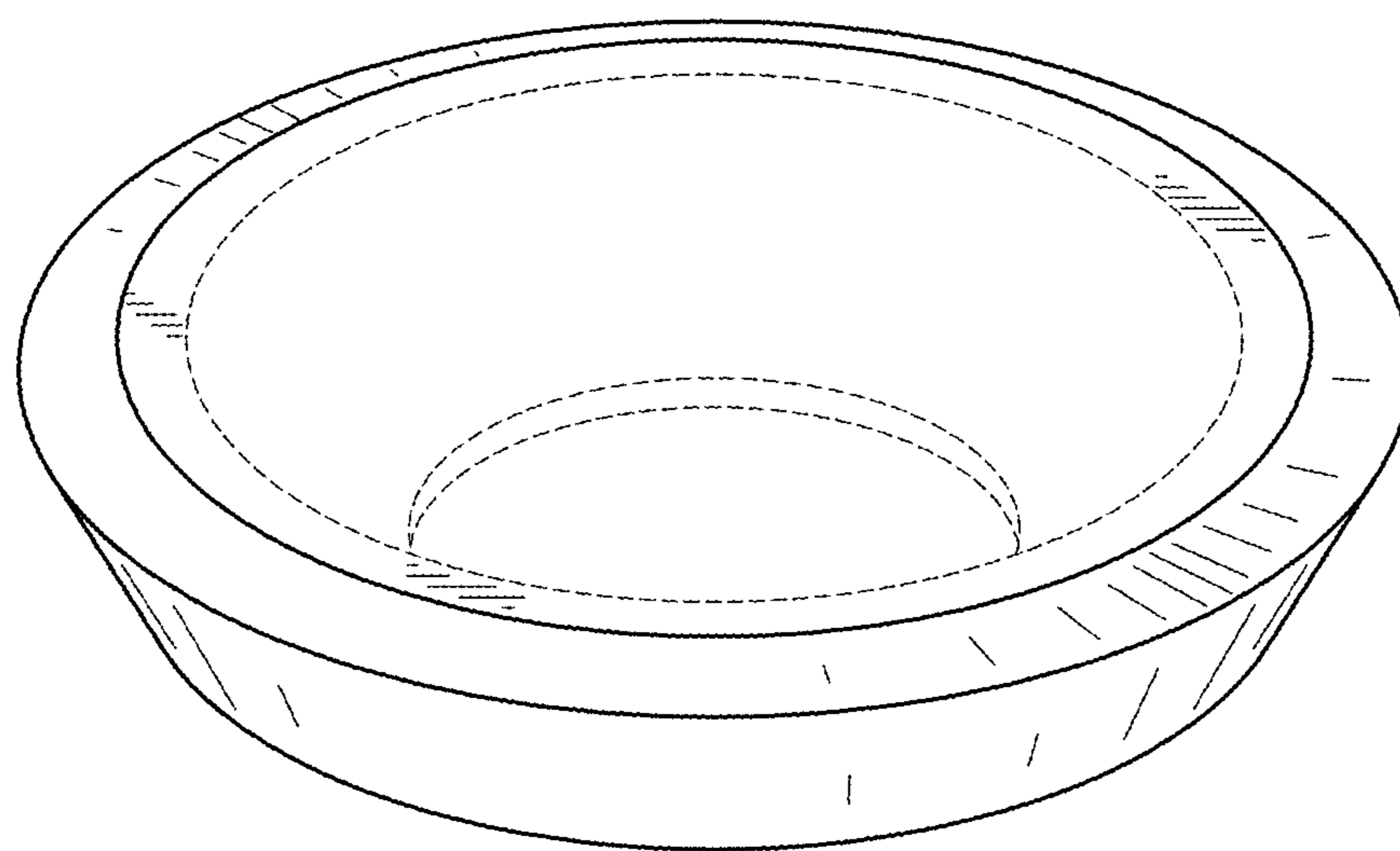


FIG. 1

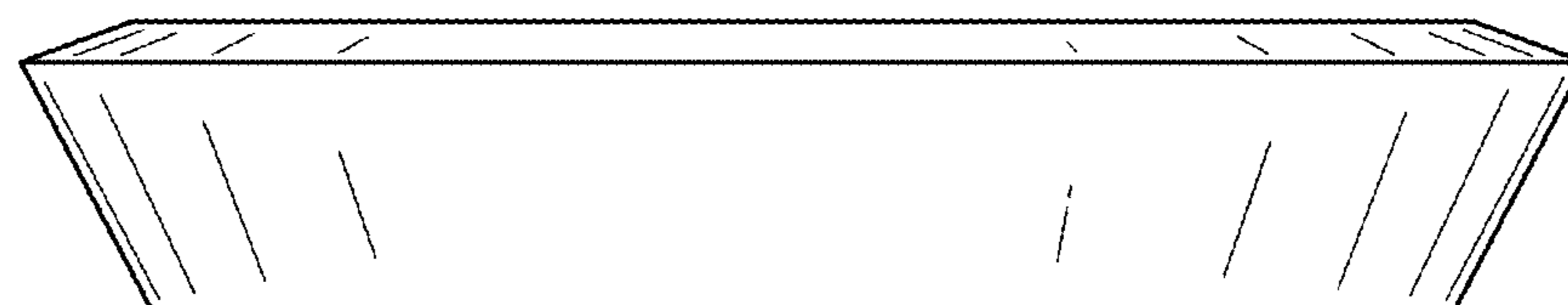


FIG. 2

FIG. 3

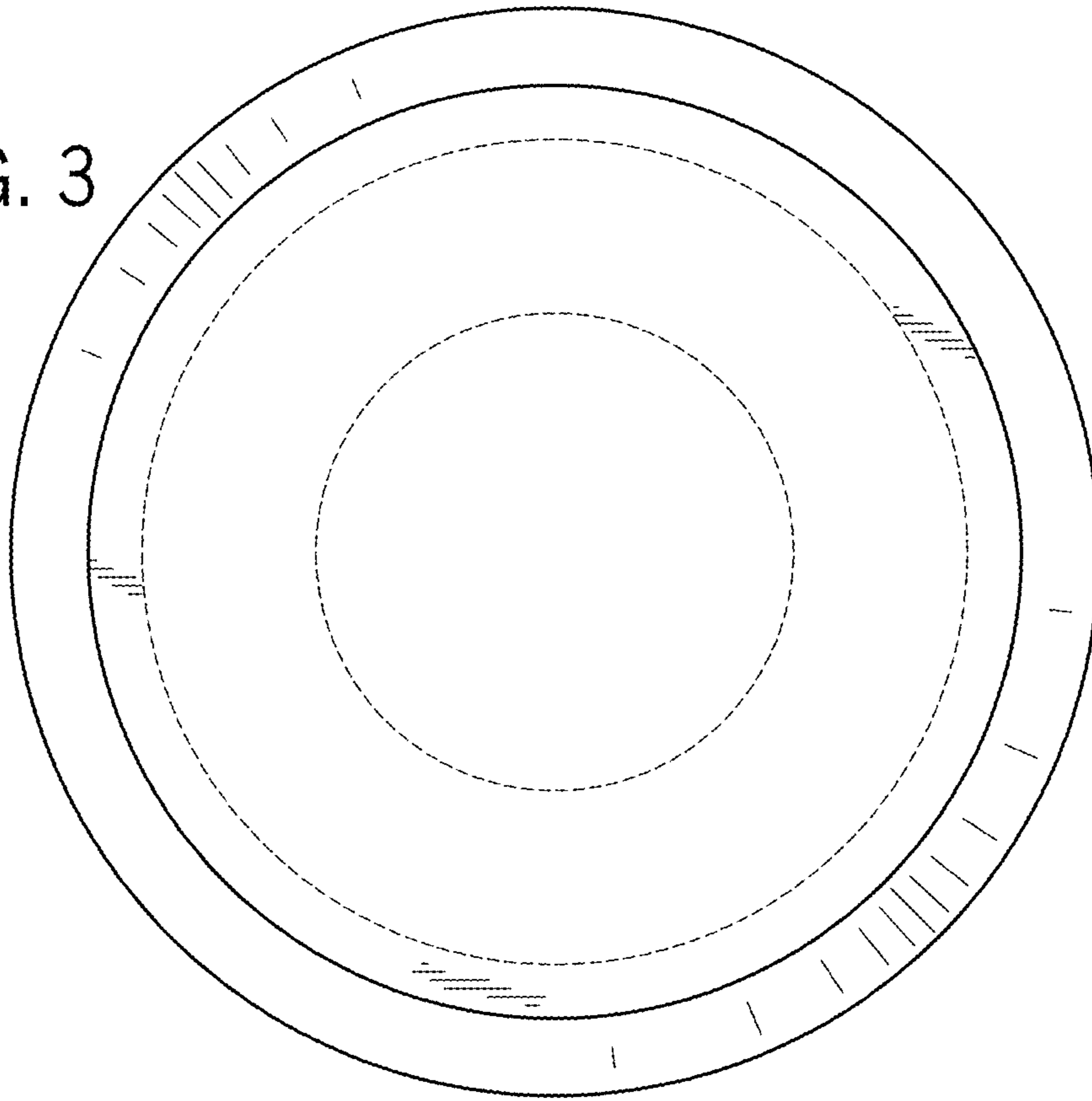


FIG. 4

