



US00D902966S

(12) **United States Design Patent** (10) **Patent No.:** **US D902,966 S**
Caliendo (45) **Date of Patent:** **** Nov. 24, 2020**

(54) **RHOMBUS NEGATIVE RAKE WOOD TURNING BLADE**

(71) Applicant: **Christopher Lee Caliendo**, Wood Dale, IL (US)

(72) Inventor: **Christopher Lee Caliendo**, Wood Dale, IL (US)

(**) Term: **15 Years**

(21) Appl. No.: **29/691,976**

(22) Filed: **May 21, 2019**

(51) **LOC (12) Cl.** **15-09**

(52) **U.S. Cl.**
USPC **D15/139**

(58) **Field of Classification Search**
USPC D8/20, 47, 66, 92, 98, 101; D15/122, D15/123, 127, 128, 130, 131, 138, 139, D15/140
CPC B25C 5/2213; B23C 2200/086; B23C 2200/203; B23C 2200/367; Y10T 407/22; Y10T 407/23

See application file for complete search history.

(56) **References Cited**

U.S. PATENT DOCUMENTS

- 3,264,711 A * 8/1966 Jehring B23B 27/1662 407/104
- 3,557,416 A * 1/1971 Jones B23B 27/143 407/114
- 3,934,319 A 1/1976 Shuler
- 3,947,937 A * 4/1976 Hertel B23B 27/143 407/114
- 4,200,129 A 4/1980 Sneed
- 4,335,984 A * 6/1982 Zweekly B23B 27/143 407/114
- 4,345,631 A 8/1982 Lemler
- 4,367,990 A * 1/1983 Porat B23B 27/143 407/114

- 4,754,787 A 7/1988 Smith
 - 4,856,942 A * 8/1989 Bernadic B23B 27/143 407/114
 - 5,180,258 A * 1/1993 Bernadic B23B 27/143 407/114
 - D345,984 S * 4/1994 Ishikawa D15/139
 - 5,503,507 A * 4/1996 Lowe B23B 27/143 407/114
 - 5,682,933 A 11/1997 Martel
 - 5,850,860 A 12/1998 Memelink
 - 6,253,812 B1 7/2001 Rinehart
 - 6,315,502 B1 * 11/2001 Maurer B23B 27/141 407/118
 - D477,003 S * 7/2003 Muren D15/139
- (Continued)

OTHER PUBLICATIONS

Youtube—<https://www.youtube.com/watch?v=RbARgwVxMK8>—
Negative Rake scraper: woodturning.
(Continued)

Primary Examiner — Patricia A Palasik
(74) *Attorney, Agent, or Firm* — Lawrence E. Thompson;
The Thompson Law Office, P.C.

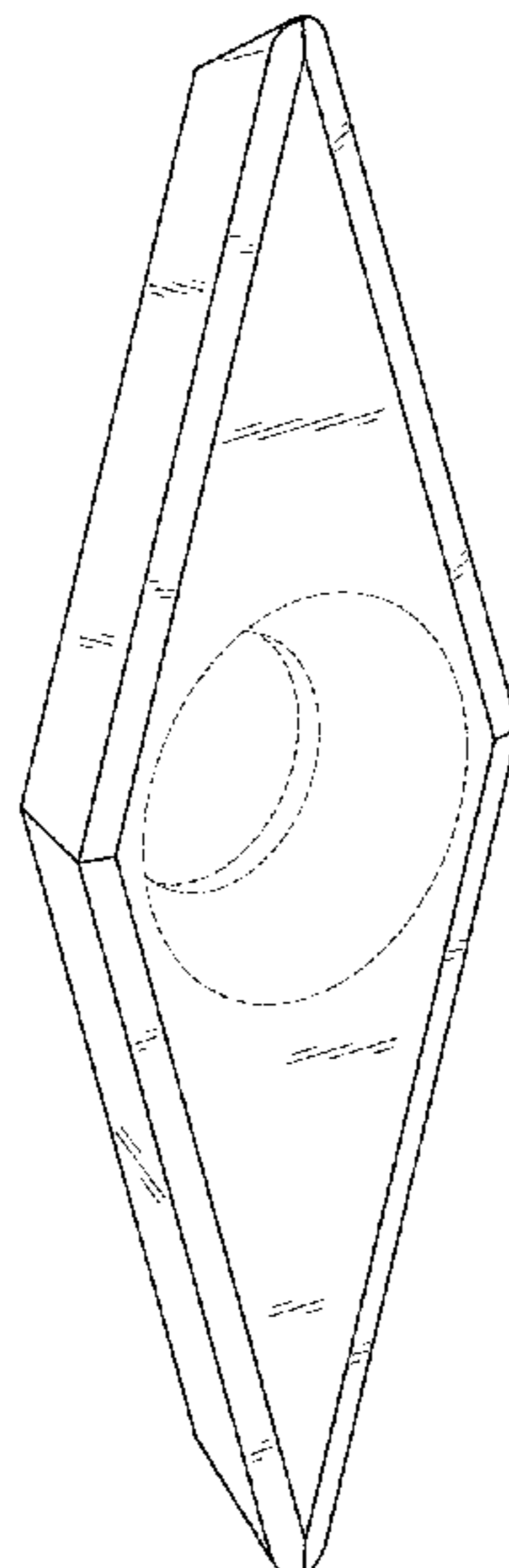
(57) **CLAIM**

The ornamental design for a rhombus negative rake wood turning blade, as shown and described.

DESCRIPTION

FIG. 1 is a perspective view of a rhombus negative rake wood turning blade, in accordance with my new design; FIG. 2 is top a plan view thereof; FIG. 3 is a bottom plan view thereof; FIG. 4 is a first side view thereof; and, FIG. 5 is a second side view thereof. The broken lines show portions of a rhombus negative rake wood turning blade which forms no part of the claimed design.

1 Claim, 2 Drawing Sheets



(56)

References Cited

U.S. PATENT DOCUMENTS

D481,047 S * 10/2003 Brockett D15/139
D491,588 S * 6/2004 Kasperik D15/139
D522,025 S * 5/2006 Niebauer D15/139
7,455,129 B2 11/2008 Widmann
7,490,640 B2 2/2009 Hege
D666,640 S * 9/2012 Cox B02C 18/145
D15/139
8,708,007 B2 4/2014 Jackson
8,740,608 B2 6/2014 Tanaka et al.
8,800,613 B2 8/2014 Batty
8,904,585 B2 12/2014 Cridlebaugh
9,079,327 B2 7/2015 Proctor
9,095,918 B2 8/2015 Barry et al.
9,095,967 B2 8/2015 Derivaz
9,603,606 B2 3/2017 Hecke et al.
9,884,379 B1 2/2018 Budda
10,286,455 B2 * 5/2019 Tomoda B23B 27/22
D857,769 S * 8/2019 Maeda D15/139
10,464,150 B2 * 11/2019 Shinjo B23C 5/2273

OTHER PUBLICATIONS

Youtube—<https://www.youtube.com/watch?v=tdXxkr1hEPE>—
Wood Turning—Beginners Guide # 8—The Negative Rake Scraper.
Youtube—<https://www.youtube.com/watch?v=gHMfBmAZRkk>—
The Negative Rake Scraper.
Cindy Drozda, Negative Rake Scrapers.
woodturning.org, Negative Rake Scrapers Instruction Manual.
Robert Sorby, Negative Rake Scraper.
“Negative Rake Carbide Cutters by Easy Wood Tools”, posted on
YouTube at the following address, <https://www.youtube.com/watch?v=uBPErDNmUQY>, on Dec. 21, 2018.

* cited by examiner

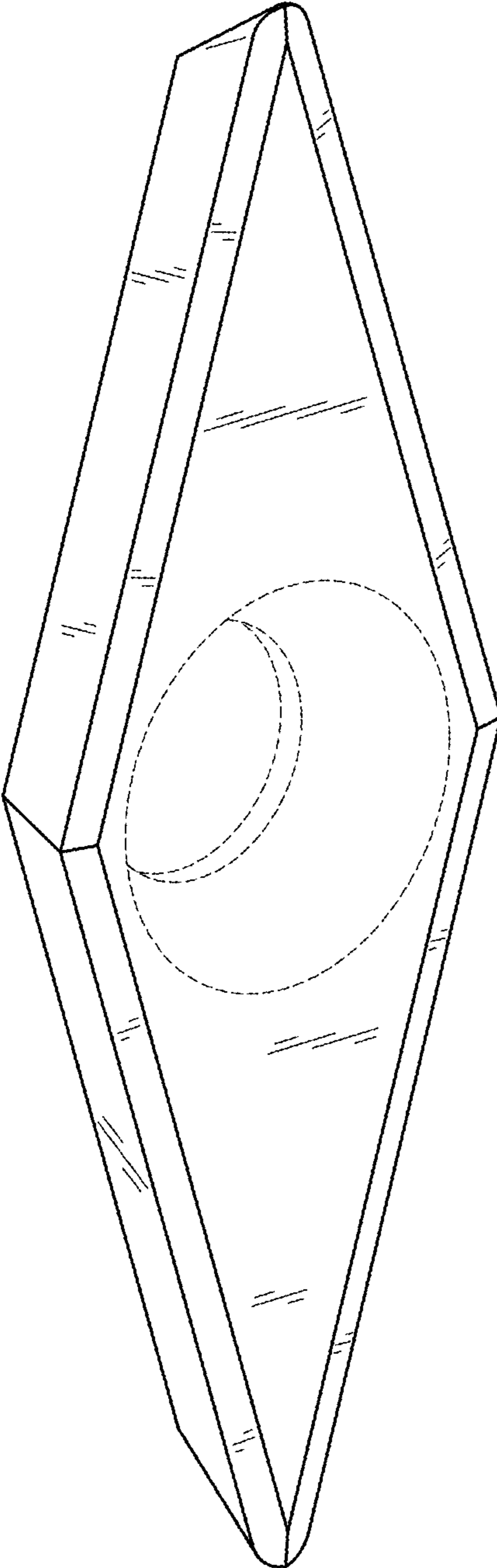


FIG. 1

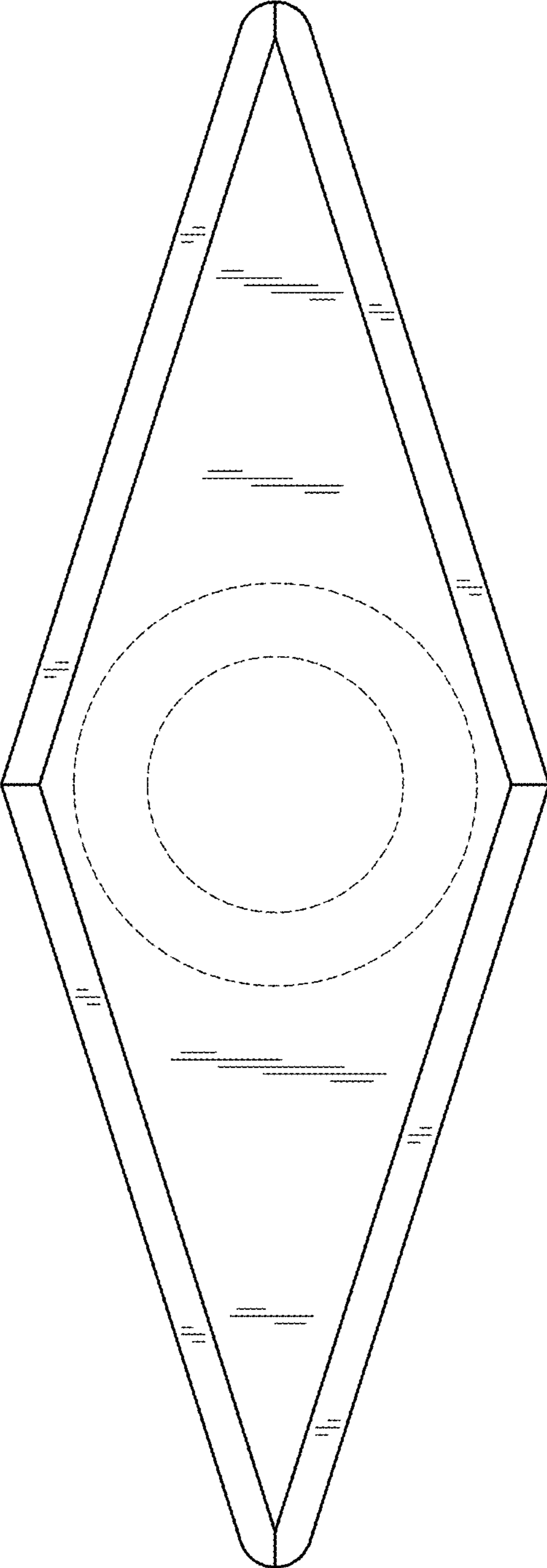


FIG. 2

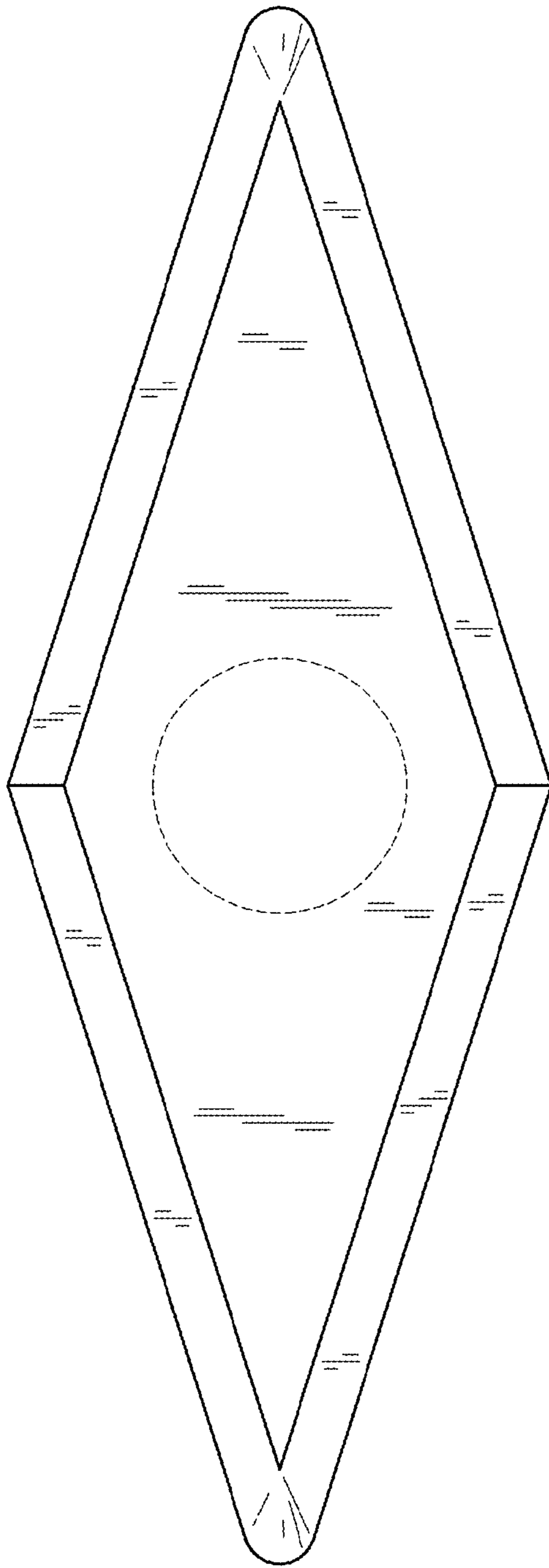


FIG. 3

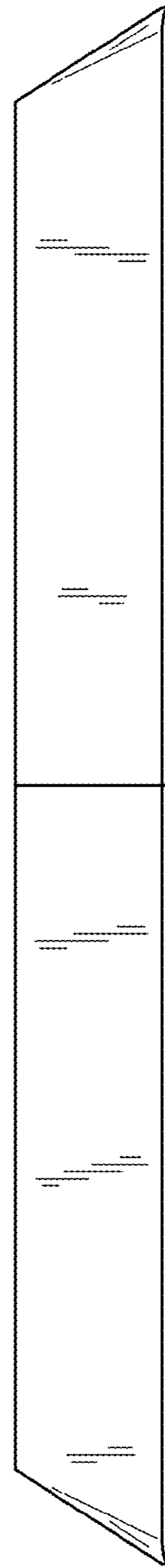


FIG. 4



FIG. 5