



US00D902965S

(12) **United States Design Patent**  
**Nelson et al.**

(10) **Patent No.:** **US D902,965 S**

(45) **Date of Patent:** **\*\* \*Nov. 24, 2020**

- (54) **HOLDER FOR REUSABLE ICE**
- (71) Applicants: **Laura Seegobin Nelson**, Point Pleasant, NJ (US); **Ryan Sheldon Nelson**, Point Pleasant, NJ (US)
- (72) Inventors: **Laura Seegobin Nelson**, Point Pleasant, NJ (US); **Ryan Sheldon Nelson**, Point Pleasant, NJ (US)

- D528,430 S \* 9/2006 Considine ..... D7/628
- D573,894 S \* 7/2008 Takacs ..... D21/604
- D625,344 S \* 10/2010 Sicurelli ..... D15/90
- D634,761 S \* 3/2011 Sicurelli ..... D15/90
- D692,278 S \* 10/2013 Perez ..... D11/149
- D783,737 S \* 4/2017 Batten ..... D21/604

\* cited by examiner

*Primary Examiner* — Khawaja Anwar

(\*) Notice: This patent is subject to a terminal disclaimer.

(\*\*) Term: **15 Years**

(21) Appl. No.: **29/598,615**

(22) Filed: **Mar. 27, 2017**

(51) **LOC (12) Cl.** ..... **15-07**

(52) **U.S. Cl.**  
USPC ..... **D15/90**

(58) **Field of Classification Search**  
USPC ..... D15/79-91; D9/608; D7/516, 519, D7/619.2; D11/158; D21/604  
CPC ..... F25C 1/10; F25C 1/18; F25C 1/20; F25C 1/246; F25C 2305/022; F25C 2400/10; F25C 2500/02; F25C 5/06  
See application file for complete search history.

(56) **References Cited**

**U.S. PATENT DOCUMENTS**

- D324,271 S \* 2/1992 Frenkel ..... D15/90
- D358,300 S \* 5/1995 Brown ..... D7/510

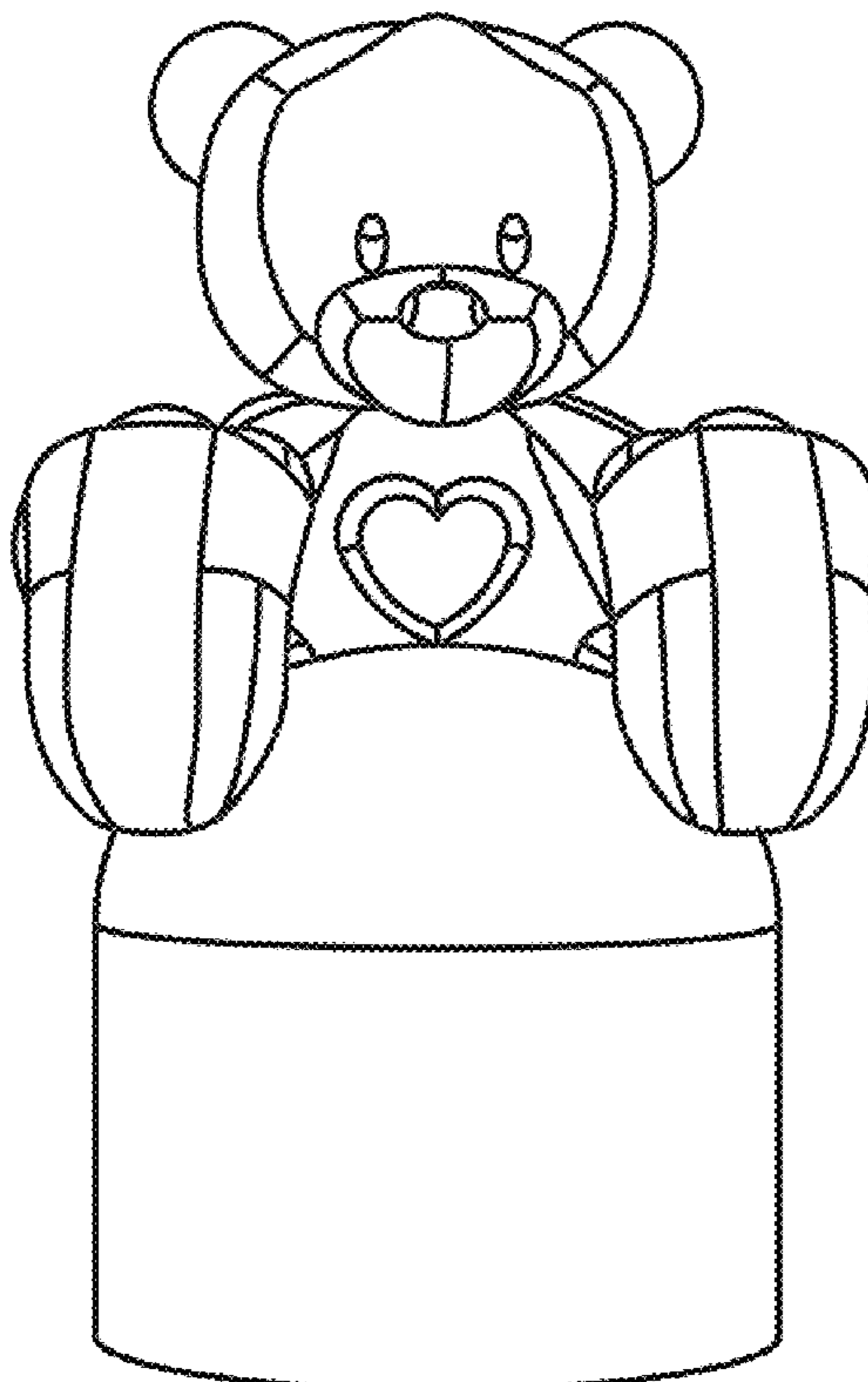
(57) **CLAIM**

The ornamental design for a holder for reusable ice, as shown and described.

**DESCRIPTION**

FIG. A shows a front elevation view of a holder for reusable ice, showing our new design;  
FIG. B is a rear elevation view thereof;  
FIG. C is a left-side elevation view thereof;  
FIG. D is a right-side elevation view thereof, shown with environment;  
FIG. E is a top plan view thereof;  
FIG. F is a bottom perspective view thereof;  
FIG. G is top, left perspective view thereof; and,  
FIG. H is top, right perspective view thereof.  
The broken lines shown in drawings represent unclaimed environment only and form no parts of the claimed design.

**1 Claim, 2 Drawing Sheets**



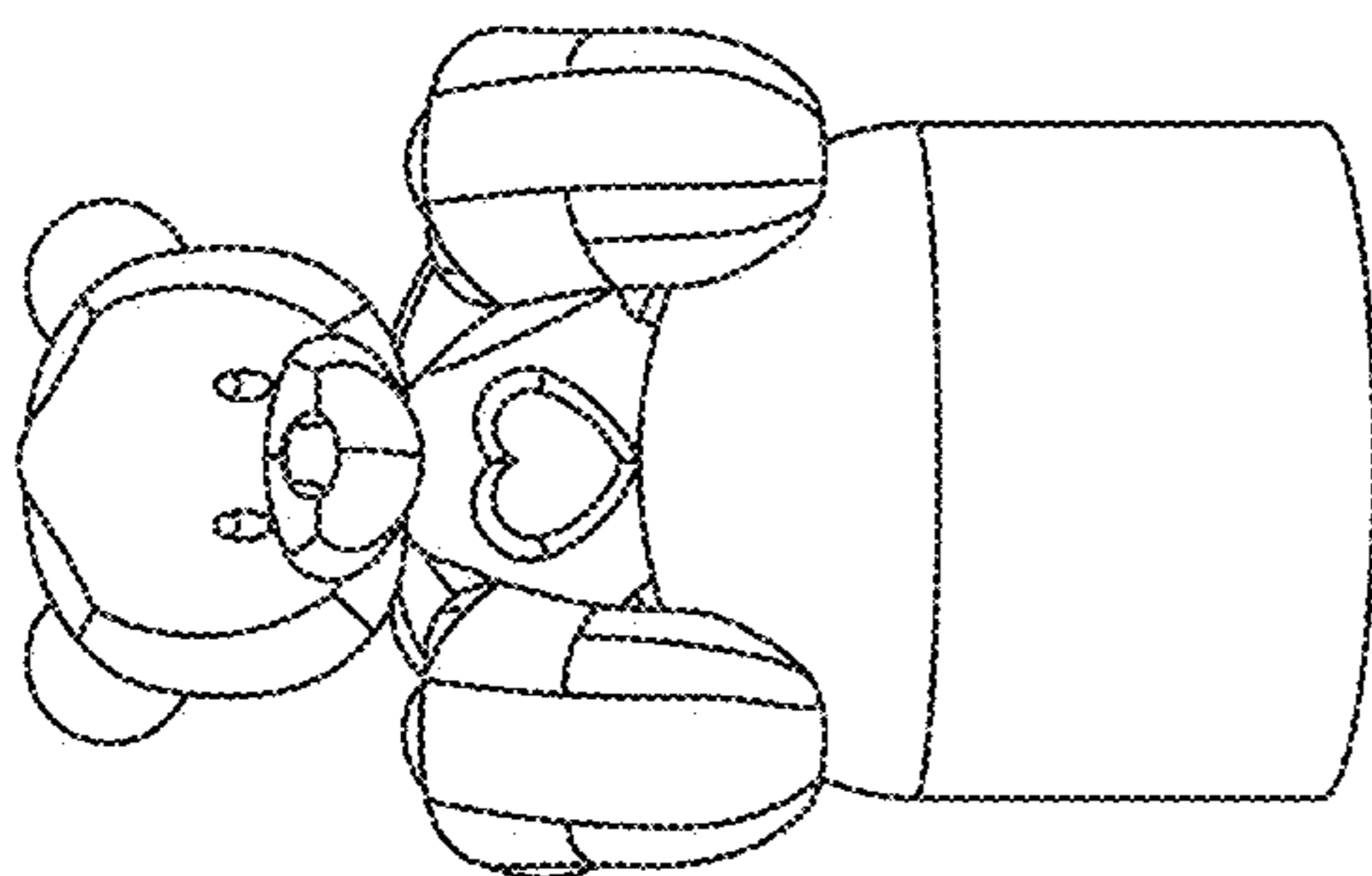


FIG. 1

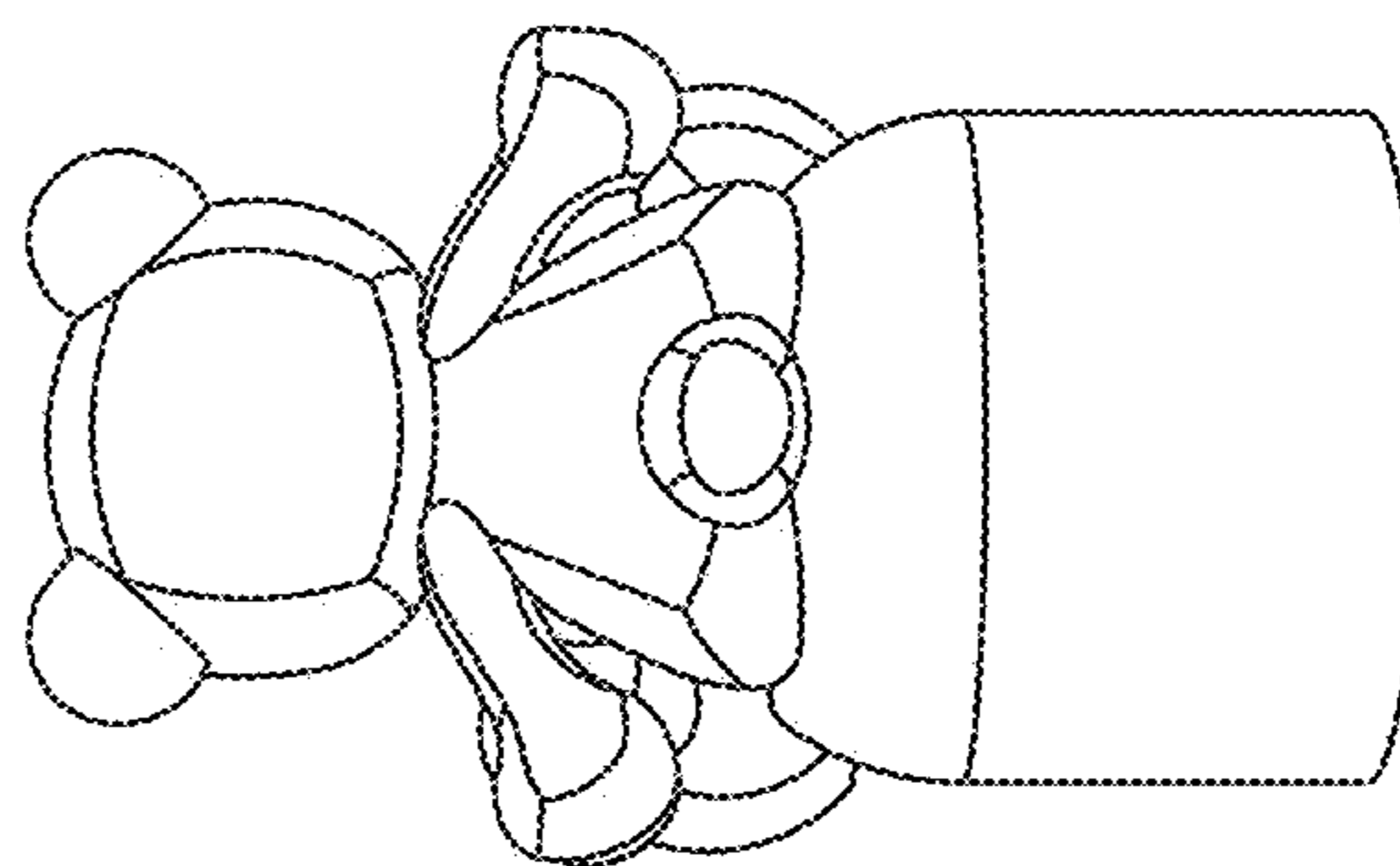


FIG. 2

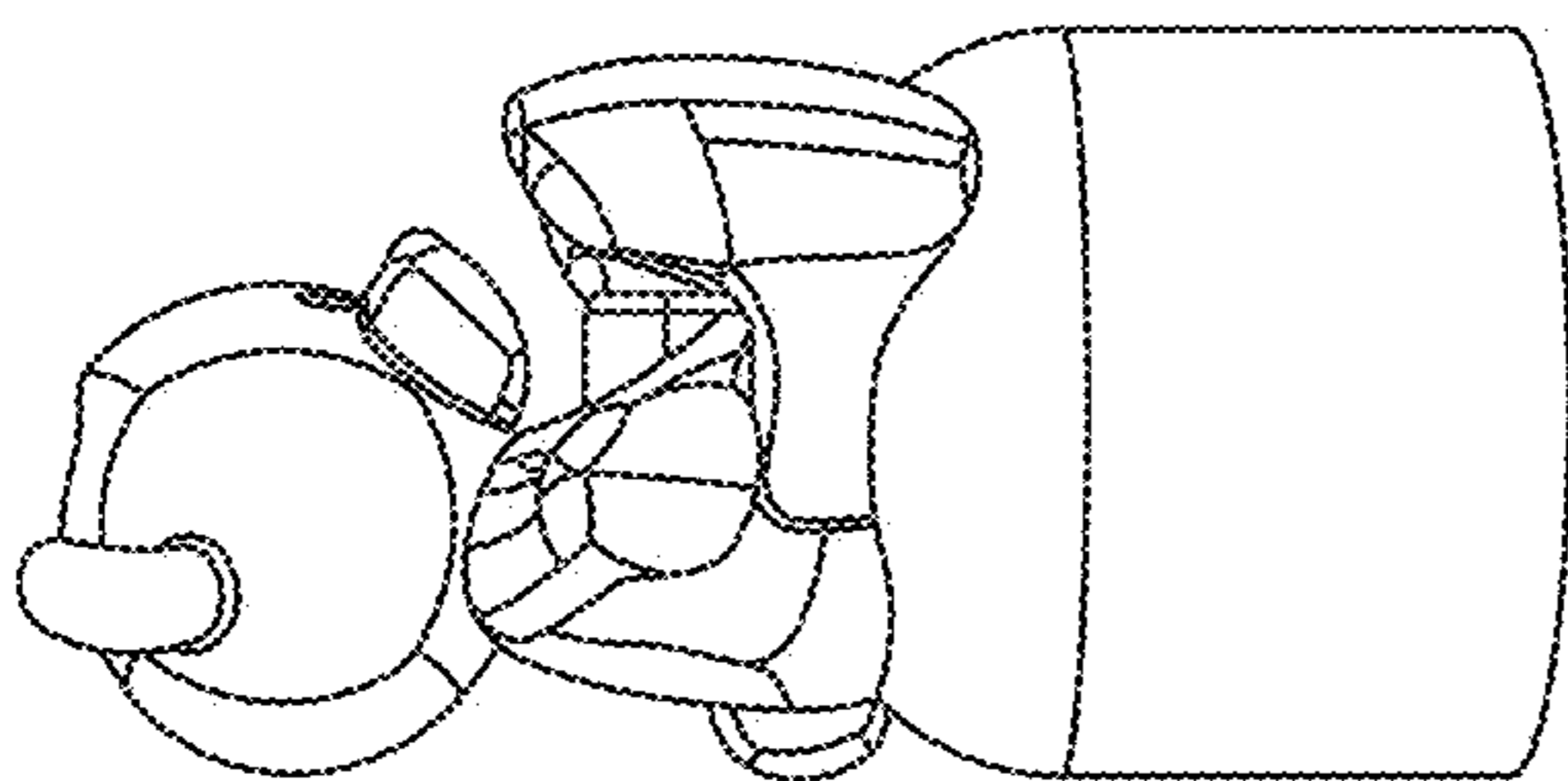


FIG. 3

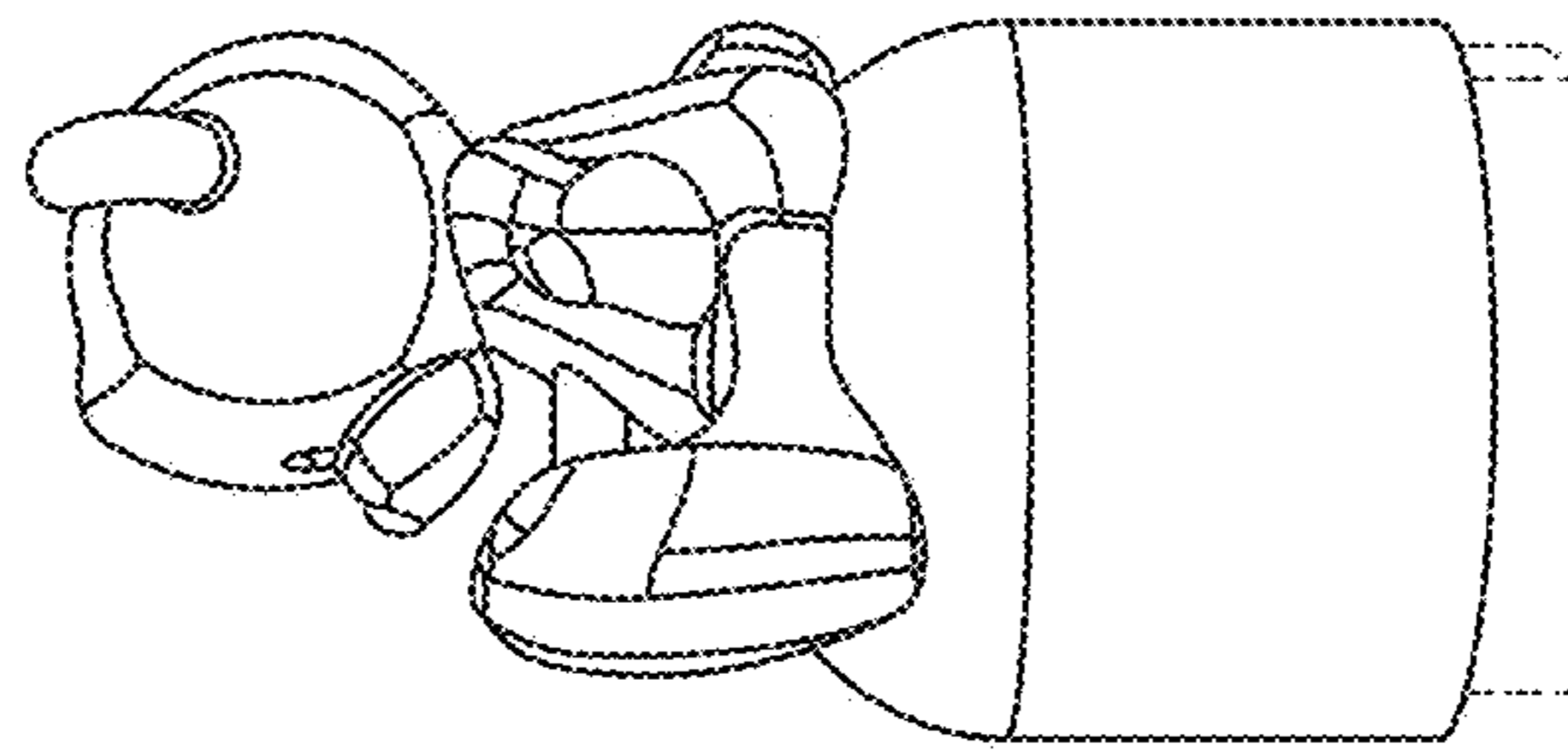


FIG. 4

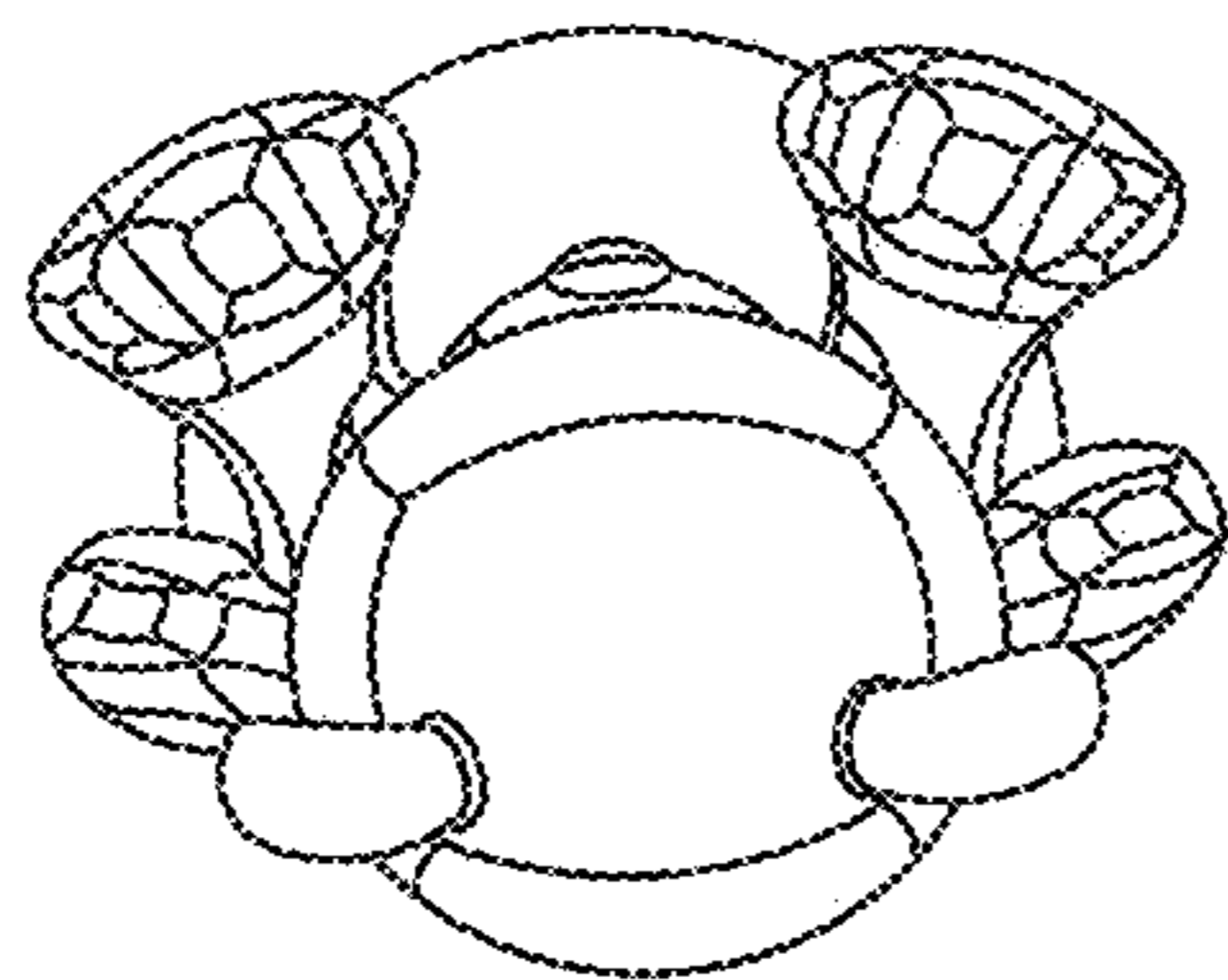


FIG. 5

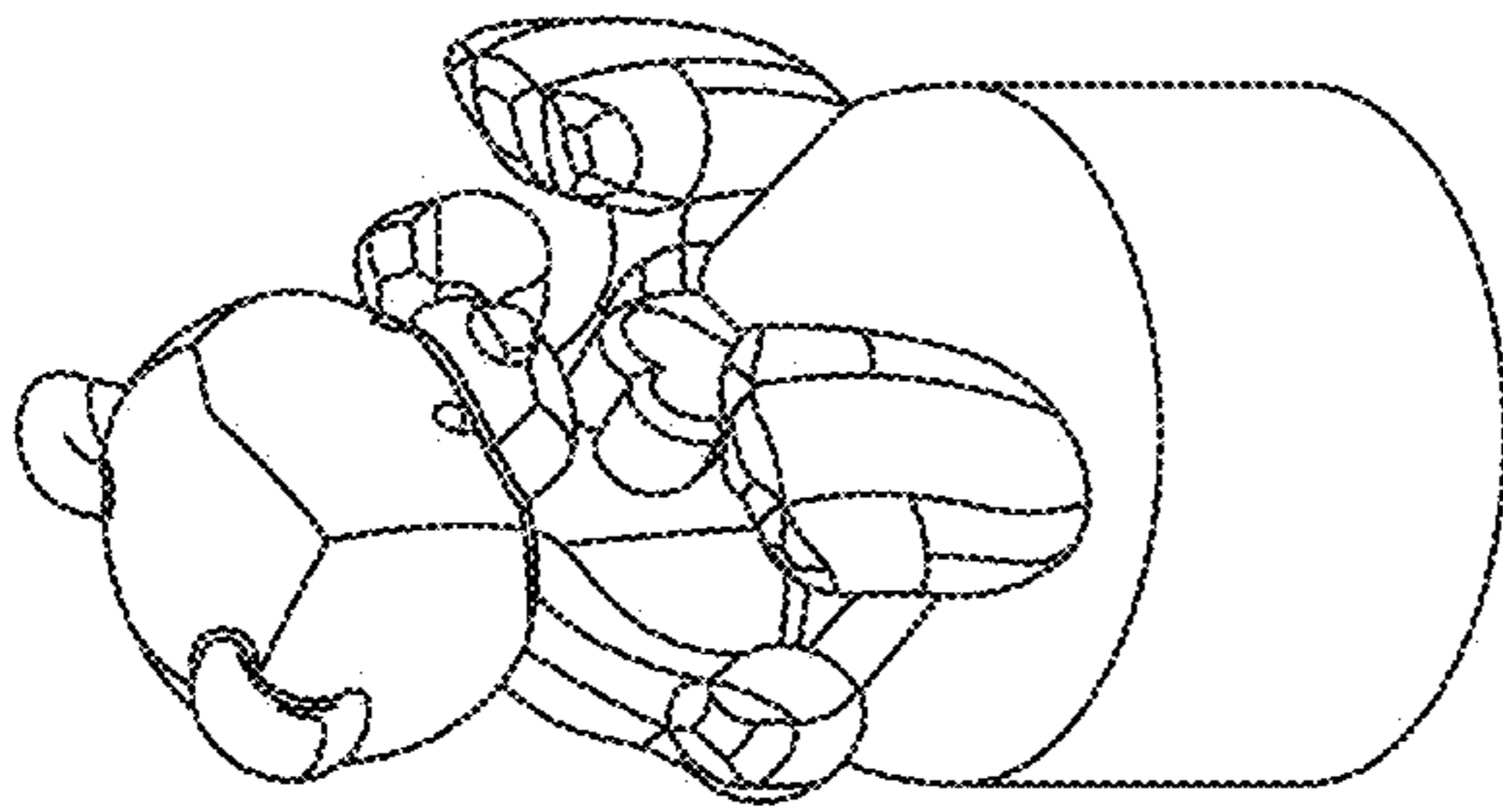


FIG. 7

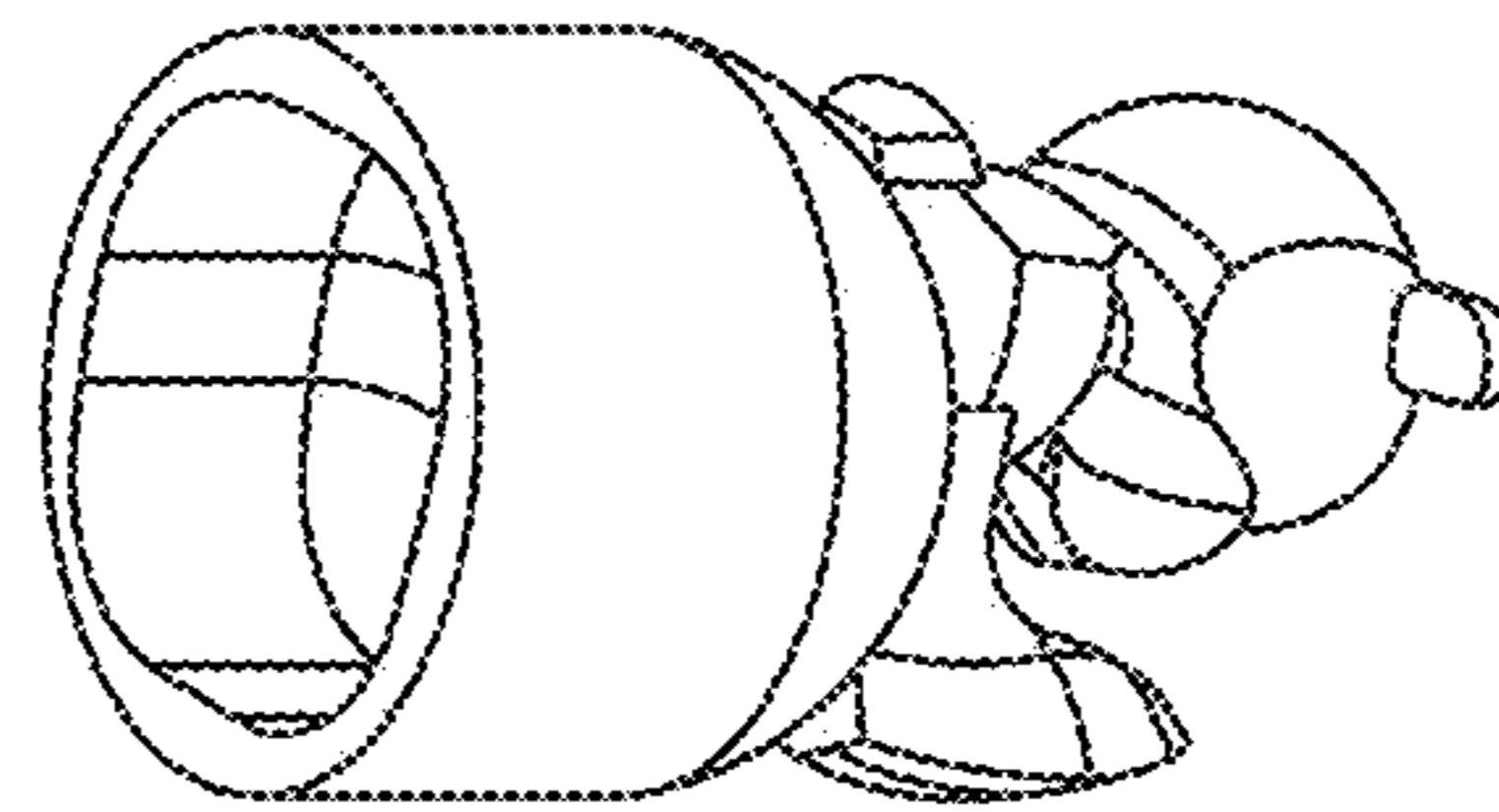


FIG. 6

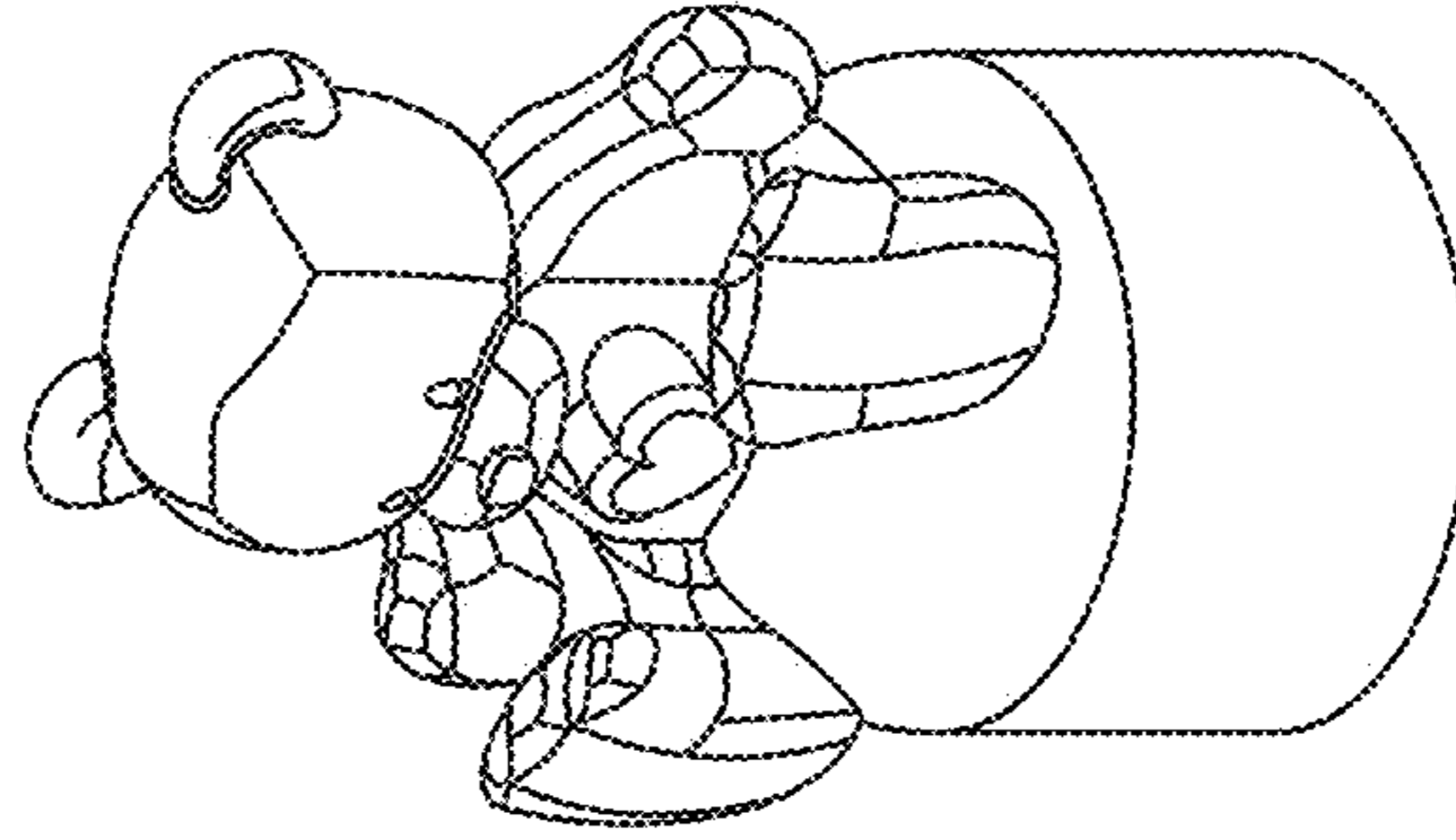


FIG. 8