



US00D902963S

(12) **United States Design Patent**
Wood et al.

(10) **Patent No.:** **US D902,963 S**

(45) **Date of Patent:** **** Nov. 24, 2020**

(54) **MODEL VEHICLE TRACK ASSEMBLY**

D329,413 S 9/1992 Chandler
5,259,429 A 11/1993 Harms
5,273,126 A * 12/1993 Reed B62D 49/0635
180/9.21

(71) Applicant: **TRAXXAS LP**, McKinney, TX (US)

(Continued)

(72) Inventors: **Jonathan Scott Wood**, Lewisville, TX (US); **Jory Sprowl**, Honey Grove, TX (US); **Otto Karl Allmendinger**, Rowlett, TX (US)

OTHER PUBLICATIONS

Traxxas TRX-4, <https://redlinehobby.ca> [online]. Published on or before Jun. 22, 2020, [retrieved on Jun. 22, 2020]. Retrieved from the Internet: <URL:<https://redlinehobby.ca/shop/traxxas-traxx-trx-4-4-complete-set-front-rear-order-on-demand>> (Year: 2020).*

(Continued)

(73) Assignee: **TRAXXAS LP**, McKinney, TX (US)

(**) Term: **15 Years**

Primary Examiner — Michael A. Pratt

Assistant Examiner — Adam C Mager

(74) *Attorney, Agent, or Firm* — Daryl R. Wright; Greg Carr

(21) Appl. No.: **29/675,068**

(22) Filed: **Dec. 28, 2018**

(51) **LOC (12) Cl.** **15-03**

(52) **U.S. Cl.**

USPC **D15/28**

(58) **Field of Classification Search**

USPC D12/1-9, 12, 14-16, 82, 87-97, 568;
D21/433, 533, 539, 550, 552, 563-564;
D15/24, 28, 199

CPC B62M 2027/022; B62D 55/04
See application file for complete search history.

(57) **CLAIM**

We claim the ornamental design for a model vehicle track assembly, as shown and described.

DESCRIPTION

FIG. 1 is a top, left, front perspective view, to include the mirror image, of a model vehicle track assembly, showing our new design;

FIG. 2 is front elevation view thereof;

FIG. 3 is a rear elevation view thereof;

FIG. 4 is a left side elevation view thereof;

FIG. 5 is a right side elevation view thereof;

FIG. 6 is a top plan view thereof;

FIG. 7 is a bottom plan view thereof; and,

FIG. 8 is a top, left, front perspective view, shown in a state of use.

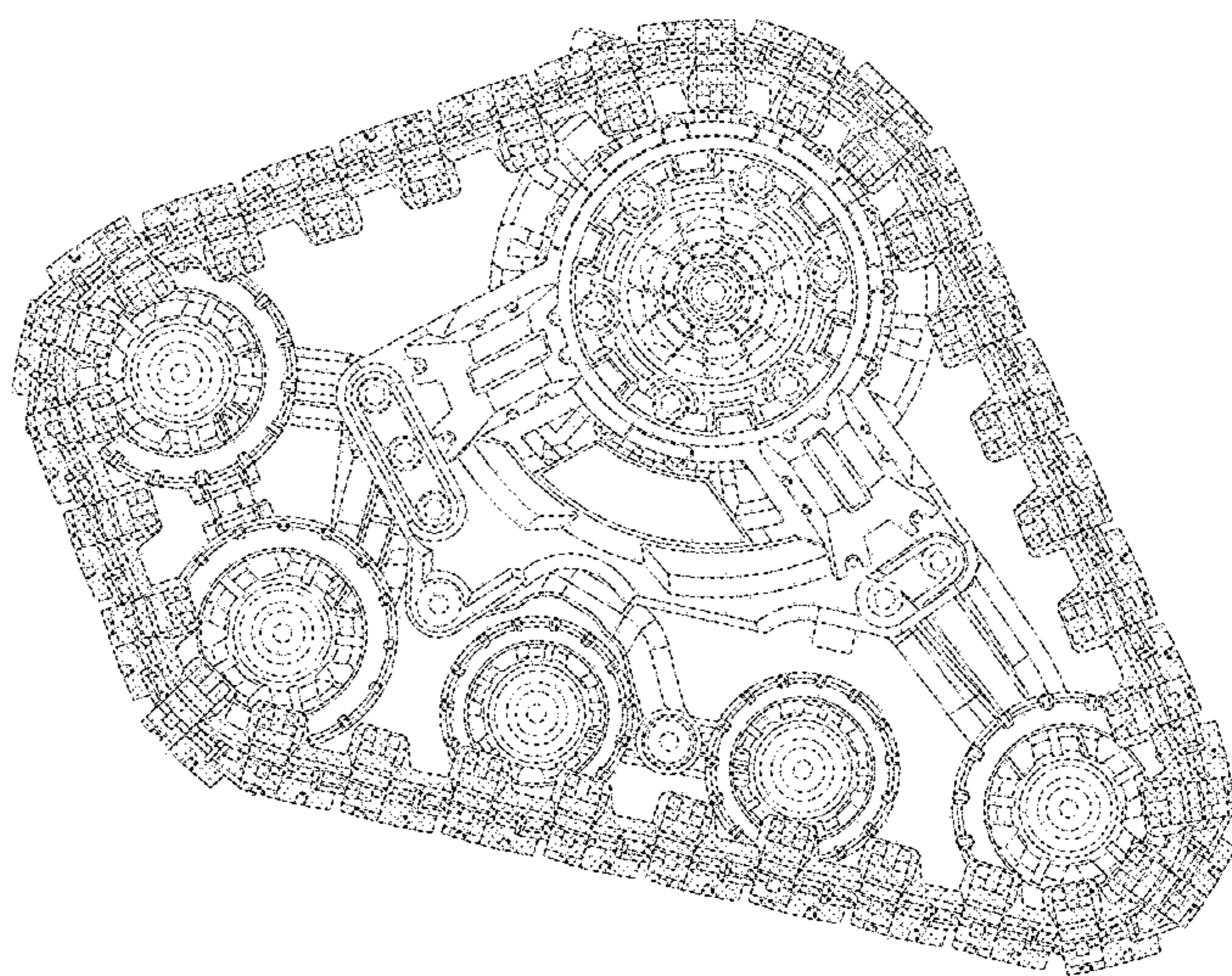
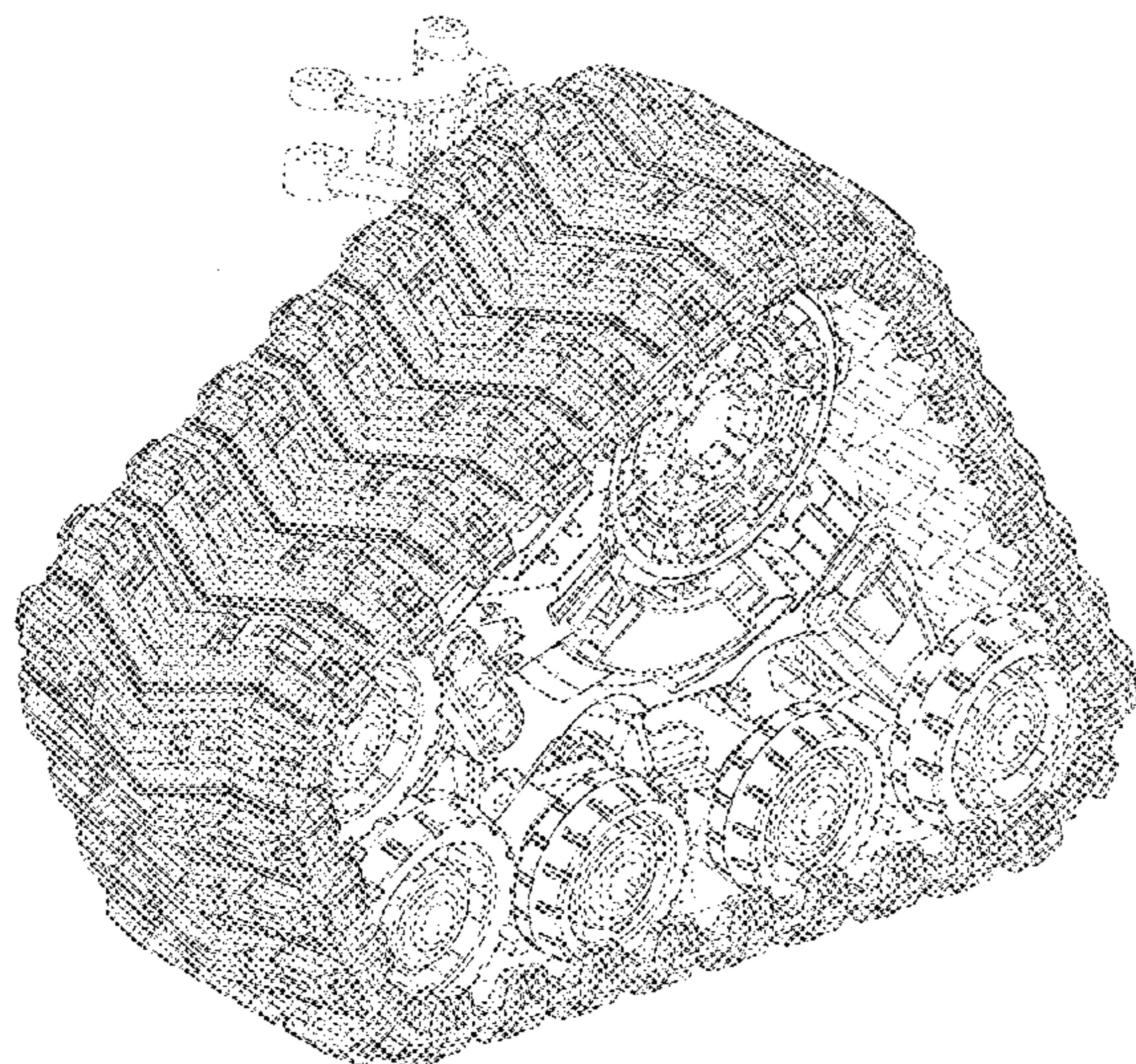
The broken lines illustrate portions of a model vehicle track assembly that form no part of the claimed design. The broken lines depicting a model vehicle in FIG. 8 show environmental structures that form no part of the claim design.

(56) **References Cited**

U.S. PATENT DOCUMENTS

D115,835 S	7/1939	Lombard
D208,685 S	9/1967	Evans, Jr.
D260,012 S	7/1981	Candiliotis
D261,257 S	10/1981	Guidry
D296,200 S	6/1988	Elsesser
D296,544 S	7/1988	Matsushita et al.
D301,859 S	6/1989	Igarashi
D301,999 S	7/1989	Fujiki
D309,442 S	7/1990	Okada
D310,985 S	10/1990	Covert et al.
D313,582 S	1/1991	Tsutsumi et al.
D316,689 S	5/1991	Fujiki
D316,695 S	5/1991	Fujiki

1 Claim, 8 Drawing Sheets



(56)

References Cited

U.S. PATENT DOCUMENTS

5,607,210 A * 3/1997 Brazier B62D 55/04
305/131
D379,442 S 5/1997 Ratliff, Jr.
D384,013 S 9/1997 Thomas
D390,178 S 2/1998 Maxwell
D391,211 S 2/1998 Maxwell
D395,627 S 6/1998 Ball et al.
D400,141 S 10/1998 Maxwell
D425,526 S * 5/2000 Juncker D15/28
D428,587 S 7/2000 Maxwell
6,142,200 A 11/2000 Feider et al.
D440,913 S 4/2001 McMannis
D441,697 S 5/2001 Allison
D445,379 S 7/2001 Guspodin et al.
D445,381 S 7/2001 Guspodin et al.
D456,344 S 4/2002 Rooney
6,401,847 B1 * 6/2002 Lykken B62D 55/30
180/9.1
6,557,953 B1 * 5/2003 Kahle B62D 49/0635
305/130
D483,718 S 12/2003 Hutz
D487,057 S 2/2004 Rooney et al.
D488,171 S * 4/2004 Juncker D15/28
D488,430 S 4/2004 Maxwell
D492,644 S 7/2004 Maxwell
D492,931 S 7/2004 Maxwell et al.
D496,328 S 9/2004 Shondel et al.
D500,010 S 12/2004 Maziarka et al.
D504,656 S 5/2005 Green et al.
D505,382 S 5/2005 Green et al.
D505,385 S 5/2005 Green et al.
6,920,906 B2 7/2005 Allison et al.
D508,674 S 8/2005 Dumigan et al.
D511,738 S 11/2005 Maxwell
D512,369 S 12/2005 Lo
D512,959 S 12/2005 Fukunaga
D514,501 S 2/2006 Nishimori
D522,450 S 6/2006 Gerasimczuk
D524,725 S 7/2006 Gerasimczuk
D534,485 S 1/2007 Nakamura
D534,487 S 1/2007 Dumigan et al.
D535,248 S 1/2007 Ashton et al.
D535,610 S 1/2007 Morito et al.
D535,611 S 1/2007 Sundkvist et al.
D544,830 S 6/2007 Umstot et al.
D555,076 S 11/2007 Sakakibara et al.
D555,077 S 11/2007 Lo
D556,673 S 12/2007 Missik-Gaffney et al.
D556,674 S 12/2007 Missik-Gaffney et al.
D560,596 S 1/2008 Sakakibara et al.
D568,233 S 5/2008 Dixon et al.
D577,658 S 9/2008 Murata
D578,956 S 10/2008 Dixon et al.
D580,347 S 11/2008 Lo
D594,401 S 6/2009 Guidry
D601,487 S 10/2009 Ebel et al.
D603,880 S * 11/2009 Brazier D15/28
D612,797 S 3/2010 Lo
D612,799 S 3/2010 Wallet et al.
D618,160 S 6/2010 Jacobs
D619,529 S 7/2010 Georges et al.
D621,342 S 8/2010 Osaka
D627,709 S 11/2010 Harvey et al.
D632,244 S 2/2011 Green
D634,265 S 3/2011 Shan et al.
D653,195 S 1/2012 Sareen
D653,196 S 1/2012 Buchinger-Barnstorf
D653,198 S 1/2012 Buchinger-Barnstorf
D668,204 S 10/2012 Leendertse et al.
D671,486 S 11/2012 Rooney et al.
D673,895 S 1/2013 Smith et al.

D691,943 S 10/2013 Ma
D706,707 S 6/2014 Jacobs
D707,620 S 6/2014 Barajas et al.
D709,435 S 7/2014 Jacobs
D713,328 S 9/2014 Umstot et al.
D719,083 S 12/2014 Hayashi
D730,272 S 5/2015 Fleckner
D732,463 S 6/2015 Petr et al.
D743,874 S 11/2015 Philipot et al.
D751,030 S 3/2016 Chen
D753,055 S 4/2016 Sato et al.
D753,056 S 4/2016 Kuwano
D756,898 S 5/2016 Kristen
D767,474 S 9/2016 Reim et al.
9,452,796 B2 * 9/2016 Franck B62D 55/104
D770,970 S 11/2016 Kuwano et al.
D773,385 S 12/2016 Kuwano
D775,061 S 12/2016 Ishiguro et al.
D780,674 S 3/2017 Chen
D781,777 S 3/2017 Hayashi
D783,510 S 4/2017 Thornburg
D785,548 S 5/2017 Fukunaga et al.
D788,687 S 6/2017 Williams et al.
D791,687 S 7/2017 Sueyoshi
D795,796 S 8/2017 Johnson
D796,426 S 9/2017 Liu
D806,640 S 1/2018 Petr
D810,002 S 2/2018 Sprowl et al.
D810,669 S 2/2018 Johnson
D813,791 S 3/2018 Wang et al.
D818,424 S 5/2018 Podlovits
D832,368 S 10/2018 Barajas et al.
D838,662 S 1/2019 Tikka et al.
D840,478 S 2/2019 Sprowl et al.
D844,547 S 4/2019 Sakamoto et al.
D845,224 S 4/2019 Kochanek
D849,677 S 5/2019 Sakamoto et al.
D856,268 S 8/2019 Sprowl et al.
D859,298 S 9/2019 Geng et al.

OTHER PUBLICATIONS

“Goodyear Tires, “Wrangler MT/R” web page;http://www.goodyear tires.com/goodyear tires selector/display_tire.jsp?prodline=Wrangler+MT%2FR&mrktarea=Light+Truck&treadwidth=&aspectratio=&rimdiameter=&sidewall”.
Interco Tire, “TM Appl’n. No. 74279000” Interco Tire Corporation, Rayne LA USA, May 27, 1992.
Traxxas, www.traxxas.com archive web page Jul. 10, 2004, Traxxas LP, Plano TX USA, Jul. 10, 2004.
Traxxas, “REVO Owners Manual”, Traxxas LP, Plano TX USA; Jul. 2004.
Traxxas, “REVO Service and Support Guide / Parts List”, Traxxas LP, Plano TX USA; Jul. 2004.
Traxxas, “REVO Power.Precision.Balance” product announcement web pages, [traxxas.com](http://www.traxxas.com); Traxxas LP, Plano, TX USA, Apr. 8, 2004.
Kumho Tire; <http://www.kumhousa.com/tire/category/truck-suv/F8656BD8-0A87-4166-82B5-0DF52D4AC17E>; Sep. 2016.
Traxxas; Tires, Maxx AT; Sep. 2016.
Traxxas [online] found Jan. 2, 2018 from URL <https://traxxas.com/products/parts/8369B1=overview>.
Screenshot and detail from Traxxas.com: Tires and wheels, assembled, glued (2.6" black, satin chrome-plated Mercedes-Benz G 500 4x42 wheels, 2.6" tires(2)/center caps (2) (requires #8255A extended stub axle). Undated; one page. Found online Nov. 6, 2019 at <https://traxxas.com/products/parts/8872> (Year: 2019).
Traxxas TRX-4 1/10 Scale Trail Rock Crawler (Orange) w/All-Terrain Traxx [Nov. 5, 2019] found online [Nov. 5, 2019]—Traxxas TRX-4 1/10 Scale Trail Rock Crawler (Orange) w/All-Terrain Traxx.

* cited by examiner

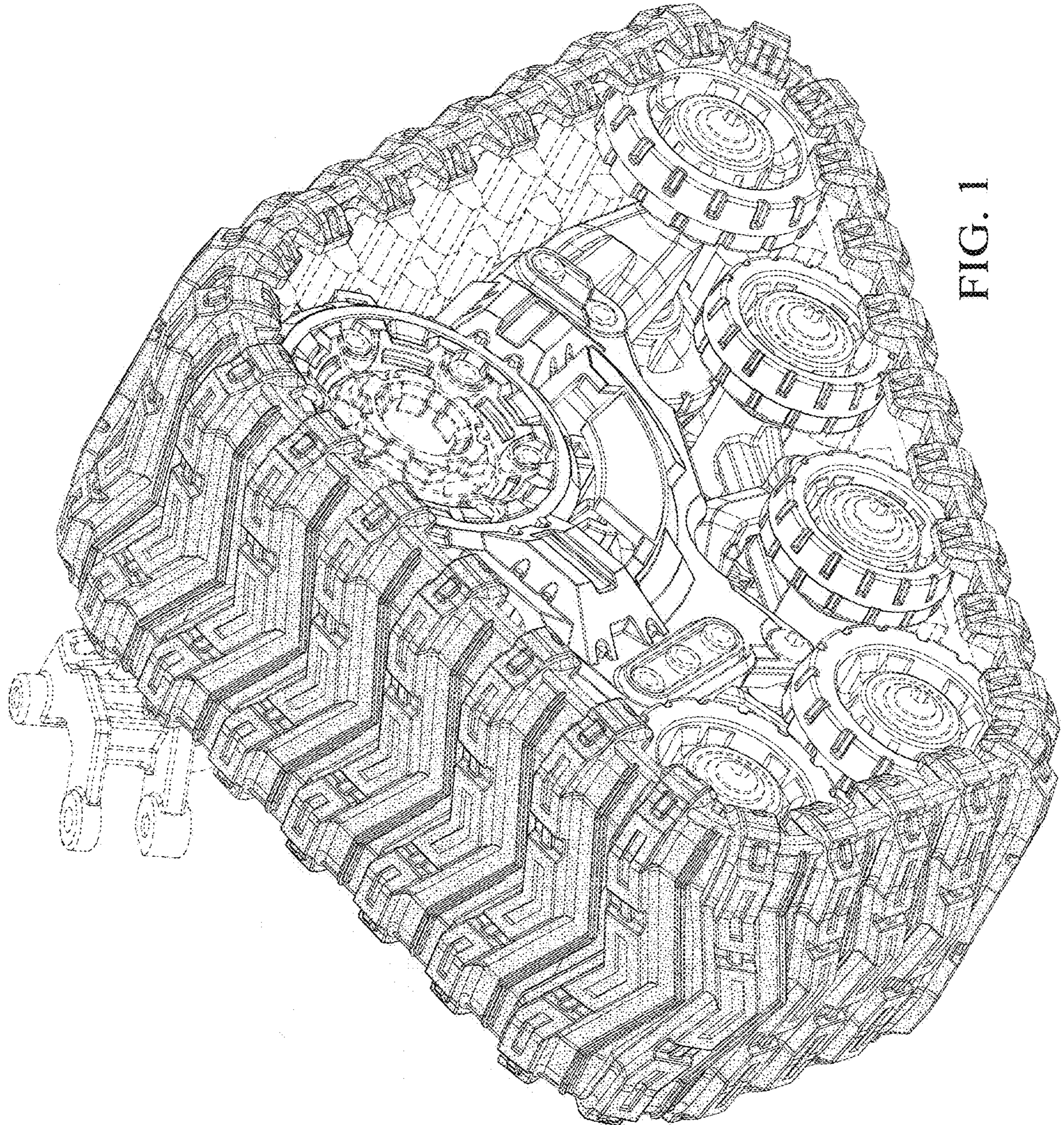


FIG. 1

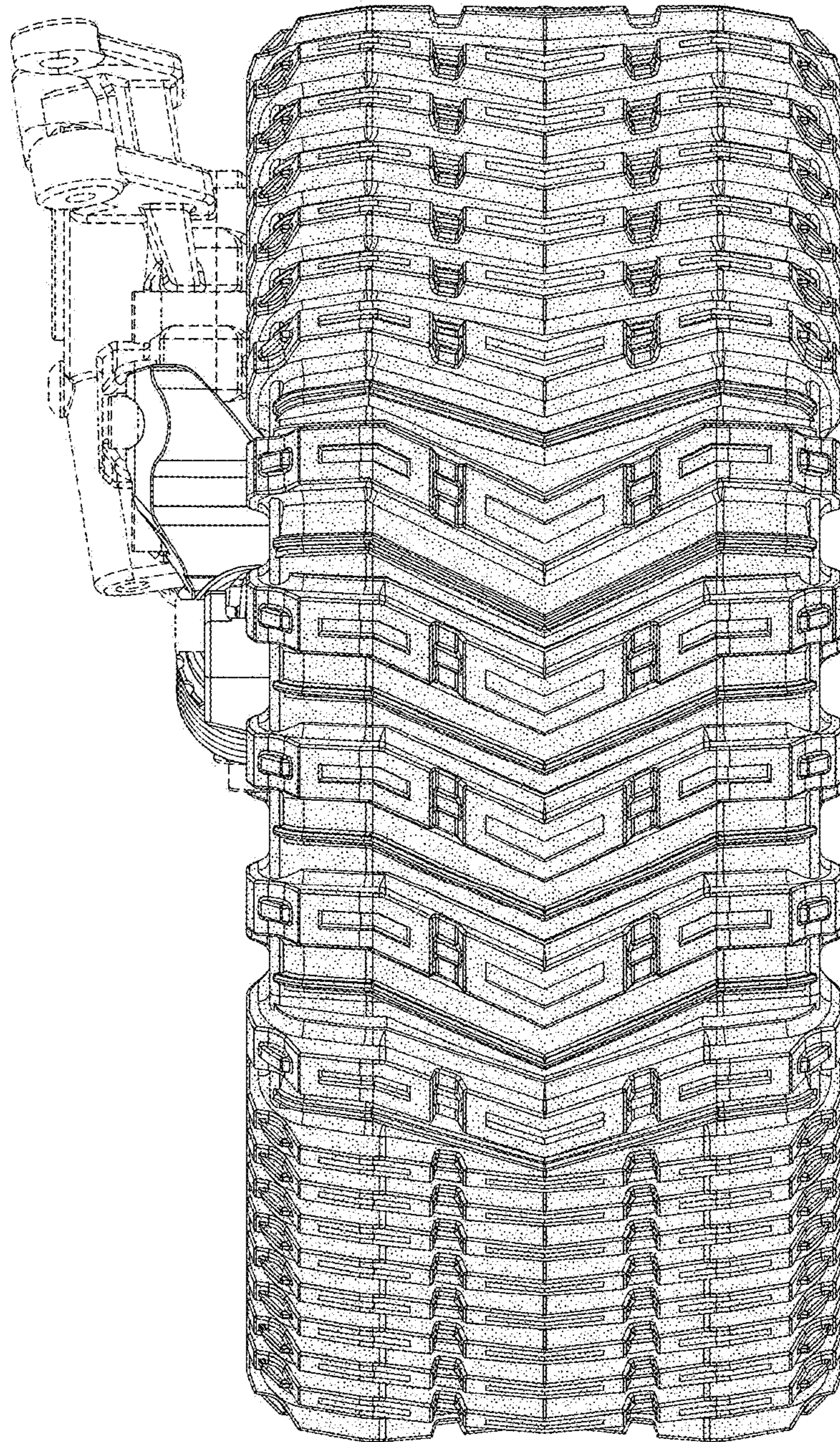


FIG. 2

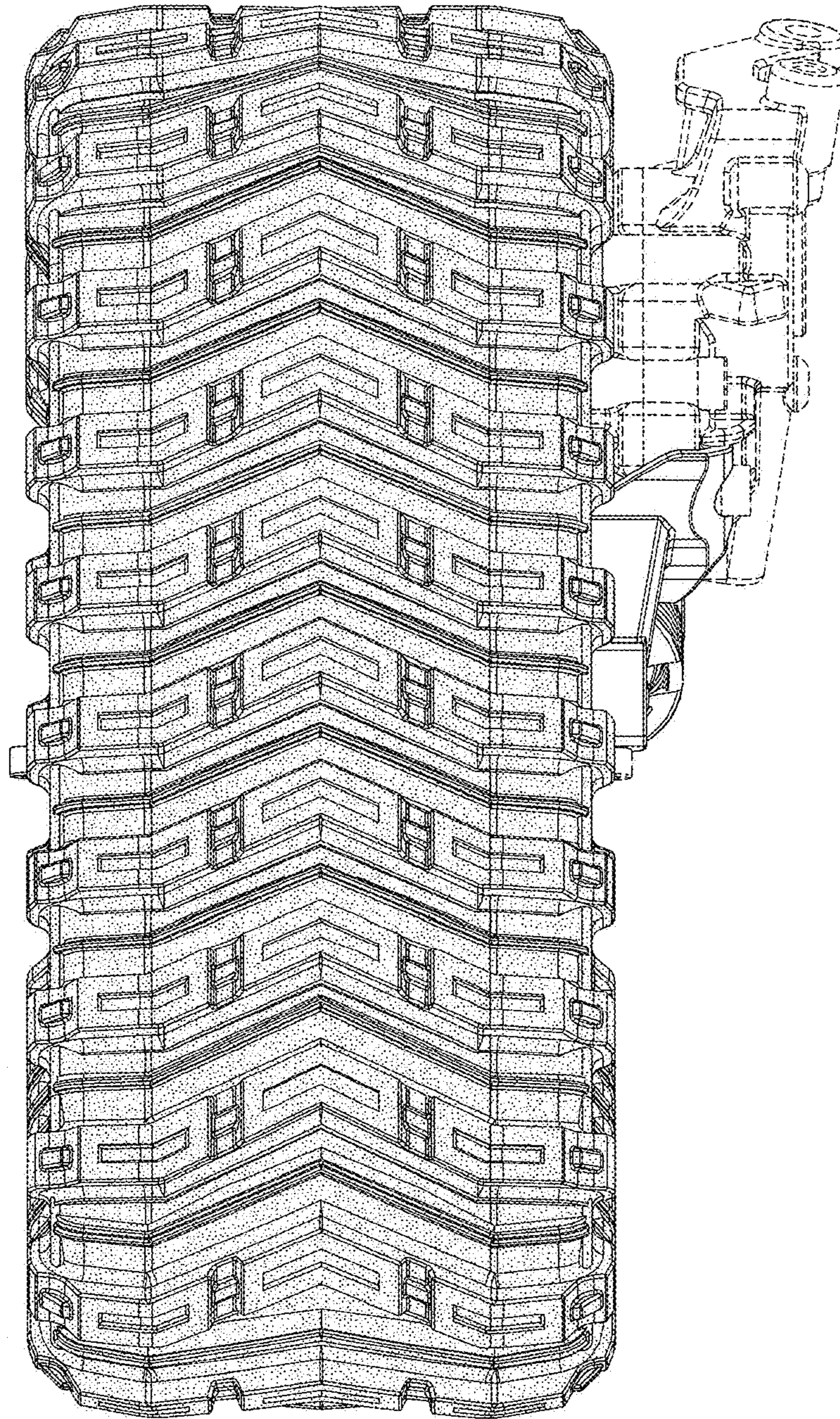


FIG. 3

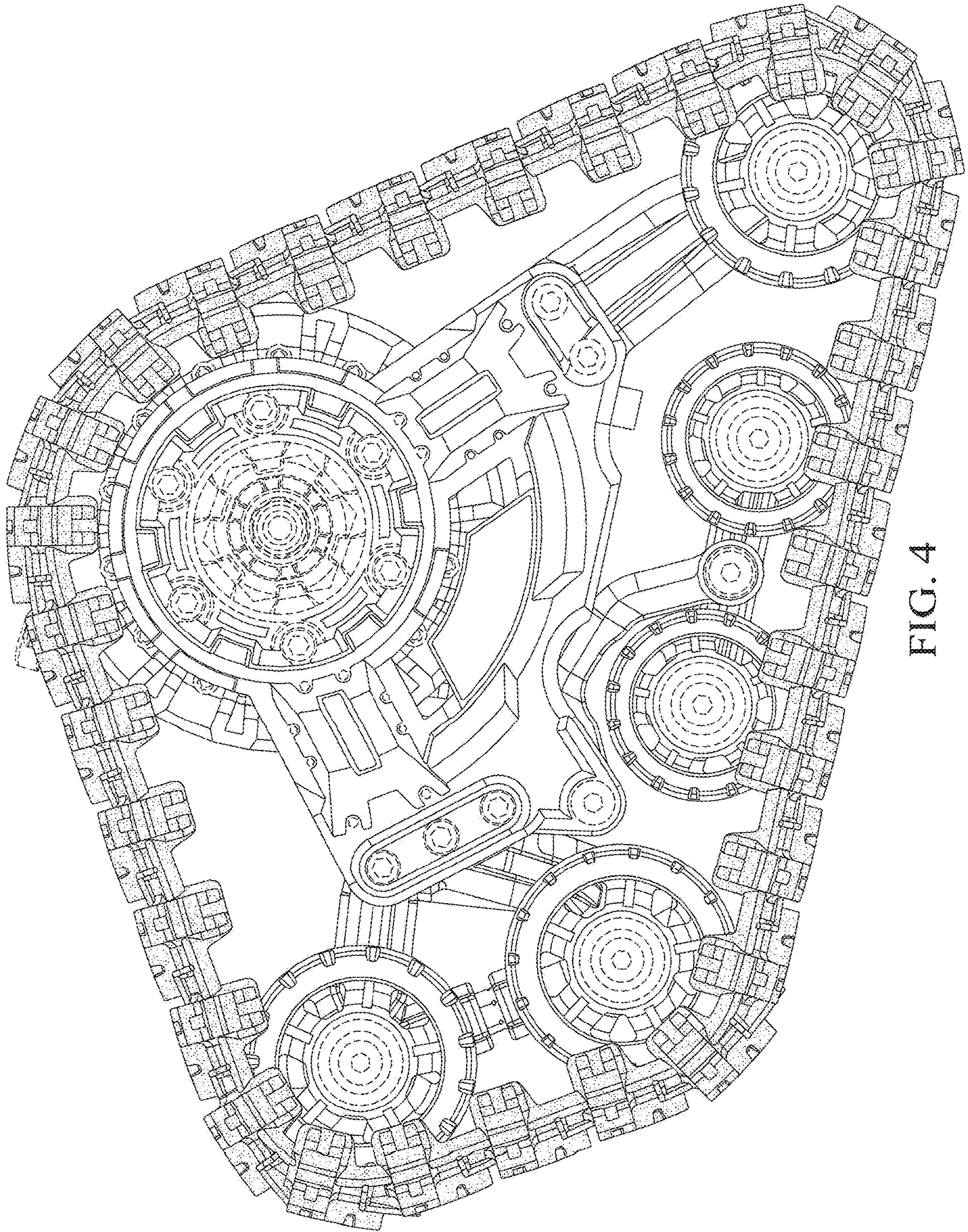


FIG. 4

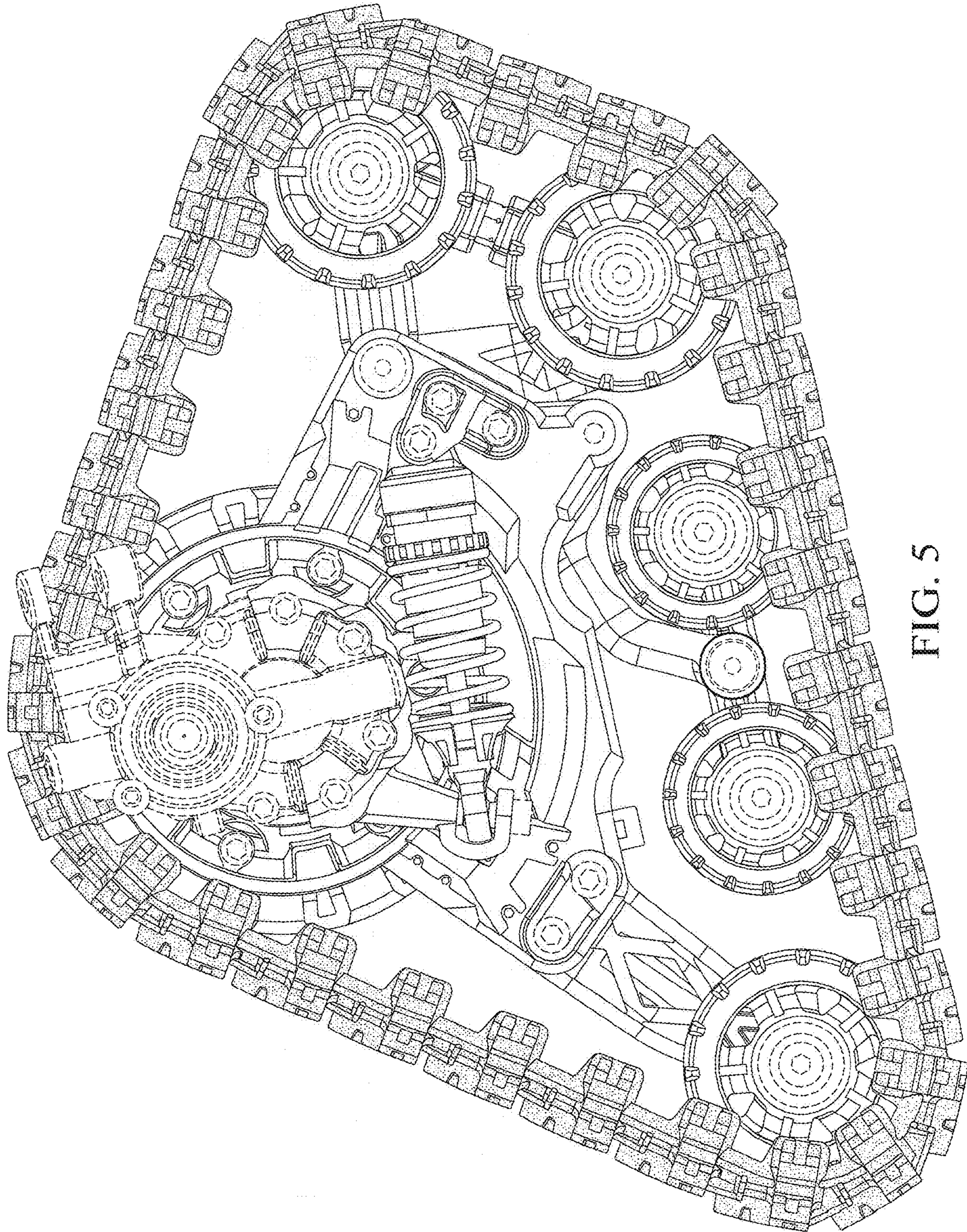


FIG. 5

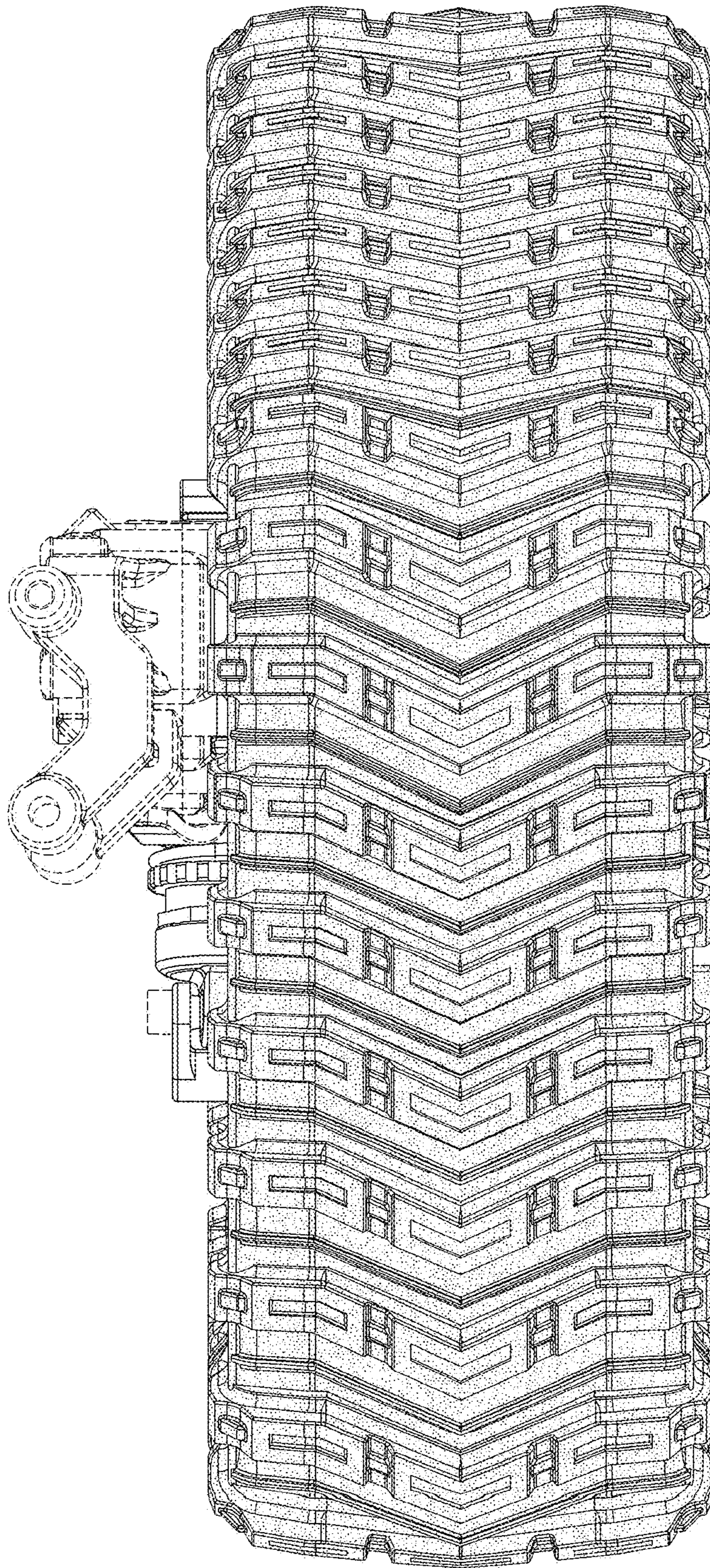


FIG. 6

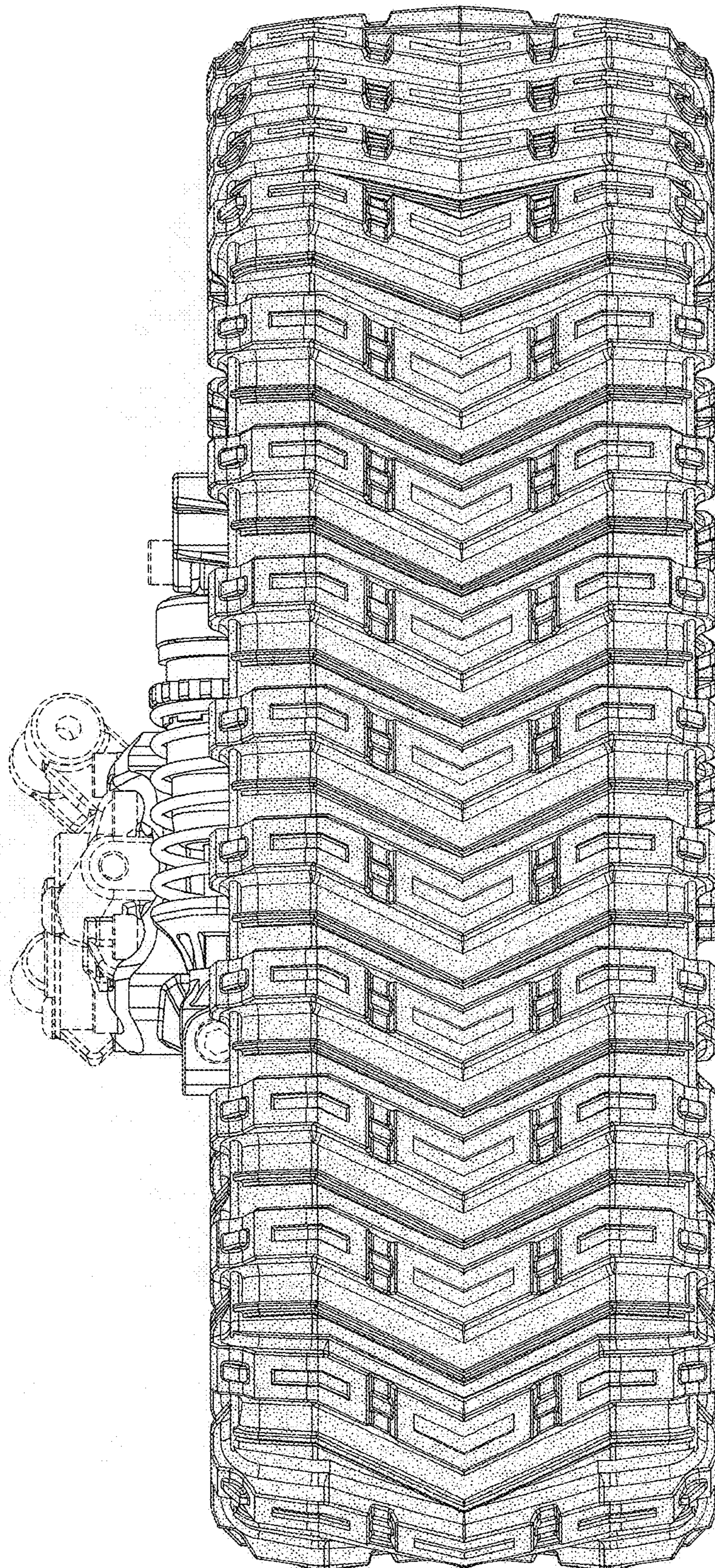


FIG. 7

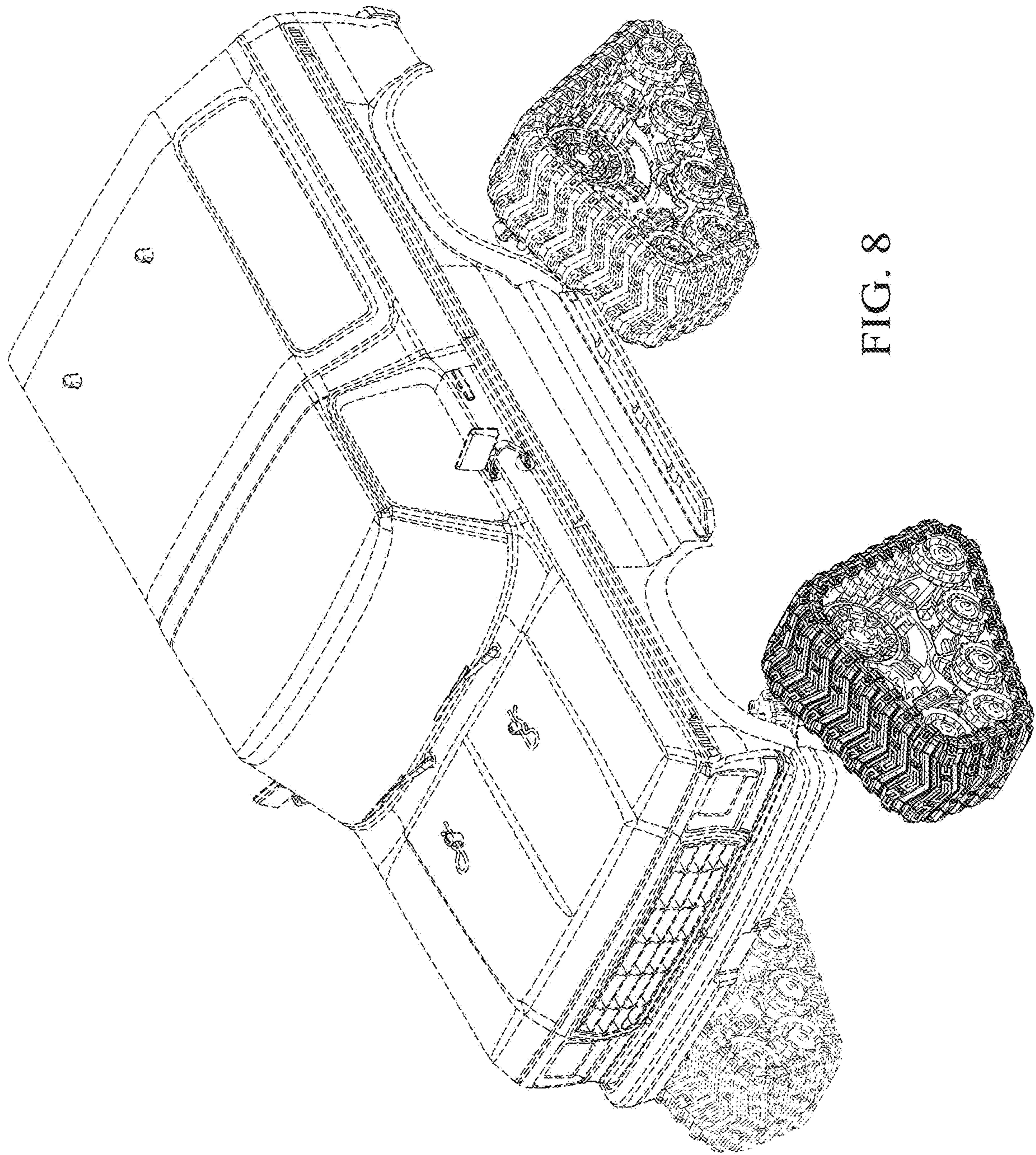


FIG. 8